



US00D810276S

(12) **United States Design Patent**
Pratley et al.

(10) **Patent No.:** **US D810,276 S**
(45) **Date of Patent:** **** Feb. 13, 2018**

(54) **RESPIRATORY MASK WITH REMOVABLE COVER**

- (71) Applicant: **JSP Ltd**, Oxford (GB)
- (72) Inventors: **David Lee Pratley**, Oxford (GB);
Richard James Fleming, Oxford (GB);
Tom Malloy, Oxford (GB)
- (73) Assignee: **JSP LTD**, Minster Lovell (GB)
- (**) Term: **14 Years**
- (21) Appl. No.: **29/525,765**
- (22) Filed: **May 1, 2015**
- (30) **Foreign Application Priority Data**

Jan. 14, 2015 (EM) 002612358

(51) **LOC (11) Cl.** **29-02**

(52) **U.S. Cl.**
USPC **D24/110.1**

(58) **Field of Classification Search**
USPC D24/110.1–110.4, 127, 162; D29/108,
D29/122; D12/197, 607
CPC A62B 23/02; A62B 7/10; A62B 18/025;
A62B 18/08; A62B 18/02; A62B 9/00;
A62B 18/084; A62B 18/00; A62B 18/10;
A61M 16/06
See application file for complete search history.

(56) **References Cited**

U.S. PATENT DOCUMENTS

- D289,919 S * 5/1987 O'Neil, Jr. D23/366
- 4,850,346 A * 7/1989 Michel A62B 18/025
128/206.15
- 4,934,361 A * 6/1990 Michel A62B 18/025
128/206.17
- D421,116 S * 2/2000 Mattila D24/110
- 6,062,221 A * 5/2000 Brostrom A62B 18/084
128/206.27
- D473,937 S * 4/2003 Fecteau D24/110.1
- D503,667 S * 4/2005 Keefer D12/197

(Continued)

OTHER PUBLICATIONS

Force 8 Half-Mask Medium (mask only). JSP. Date accessed: Mar. 29, 2017. <<https://www.jsp.co.uk/...respiratory-protection/force-8-half-mask-respirator/force-8-half-mask/force-8-half-mask-medium-mask-only/-/bht003-015-000/p/?parm=CAT1JSP&prdcod=BHT003-0L5-000>>.*

(Continued)

Primary Examiner — Barbara Fox

Assistant Examiner — Lilyana Bekic

(74) *Attorney, Agent, or Firm* — King & Schickli, PLLC

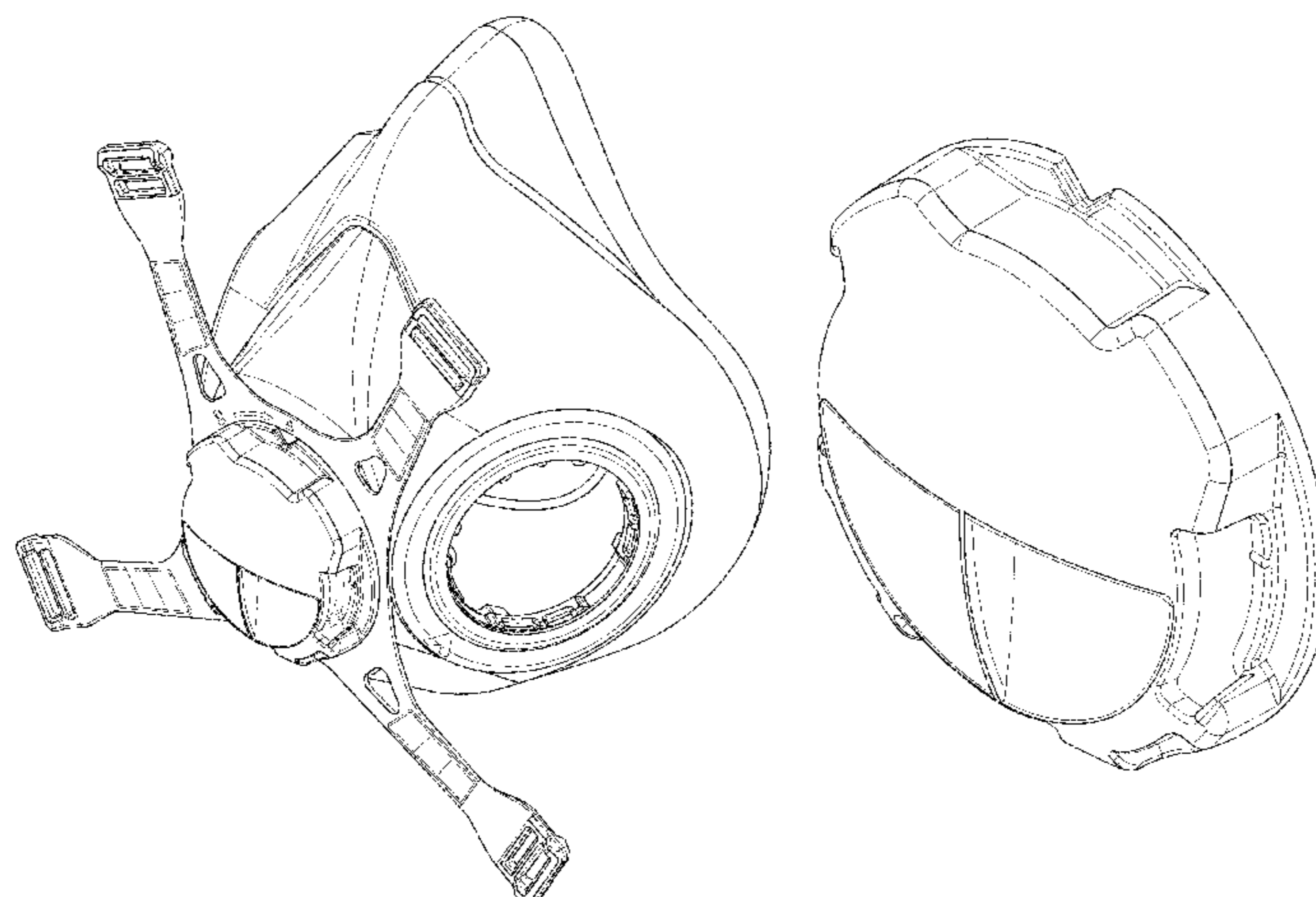
(57) **CLAIM**

The ornamental design for a respiratory mask with removable cover, as shown.

DESCRIPTION

FIG. 1 is a front perspective view of the respiratory mask with removable cover showing our new design;
FIG. 2 is a front view of the mask of FIG. 1 with the cover removed;
FIG. 3 is a side view of the mask of FIG. 1;
FIG. 4 is a top view of the mask of FIG. 1;
FIG. 5 is a bottom view of the mask of FIG. 1;
FIG. 6 is rear view of the mask of FIG. 1;
FIG. 7 is a rear perspective view of the mask of FIG. 1;
FIG. 8 is a front perspective view of the cover of FIG. 1 with the mask removed;
FIG. 9 is a front view of the cover of FIG. 8;
FIG. 10 is a side view of the cover of FIG. 8;
FIG. 11 is a top view of the cover of FIG. 8;
FIG. 12 is a bottom view of the cover of FIG. 8;
FIG. 13 is rear view of the cover of FIG. 8; and,
FIG. 14 is a rear perspective view of the cover of FIG. 8.
The broken lines in the drawings depict portions of the respiratory mask with removable cover that form no part of the claimed design.

1 Claim, 14 Drawing Sheets



(56)

References Cited

U.S. PATENT DOCUMENTS

D566,640 S * 4/2008 Holz D12/197
 D585,129 S * 1/2009 Huang D23/366
 D645,956 S * 9/2011 Grimsley D24/110.1
 D684,256 S * 6/2013 Menezes D24/110
 8,820,326 B2 * 9/2014 Flannigan A62B 18/025
 128/206.12
 D756,280 S * 5/2016 Davito D12/197
 D764,656 S * 8/2016 Skov D24/110.1
 D782,120 S * 3/2017 Patel D29/122
 2001/0050081 A1 * 12/2001 Metzger A62B 23/02
 128/206.17
 2004/0055604 A1 * 3/2004 Viner A62B 23/02
 128/206.16
 2011/0220108 A1 * 9/2011 Persson A61M 16/0468
 128/205.29
 2014/0224256 A1 * 8/2014 Skov A62B 18/02
 128/206.17
 2014/0345607 A1 * 11/2014 Skov A62B 7/10
 128/202.22

2015/0128936 A1 * 5/2015 Flannigan A62B 18/025
 128/201.19
 2015/0202473 A1 * 7/2015 Curran A62B 18/006
 128/202.27
 2015/0217144 A1 * 8/2015 Skov A62B 18/02
 128/202.27
 2015/0217146 A1 * 8/2015 Skov A62B 18/02
 128/202.27
 2015/0290478 A1 * 10/2015 Curran A62B 18/006
 128/201.25
 2015/0314147 A1 * 11/2015 Fleming A62B 7/10
 128/206.17
 2016/0059051 A1 * 3/2016 Hansel A62B 18/08
 128/201.19
 2016/0361575 A1 * 12/2016 Gerson A62B 18/025

OTHER PUBLICATIONS

Force 8 Half-Mask—Product Overview. JSP Ltd. Youtube. Date published: Apr. 30, 2014. <<https://www.youtube.com/watch?v=IQjOnHE9TPo>>.*

* cited by examiner

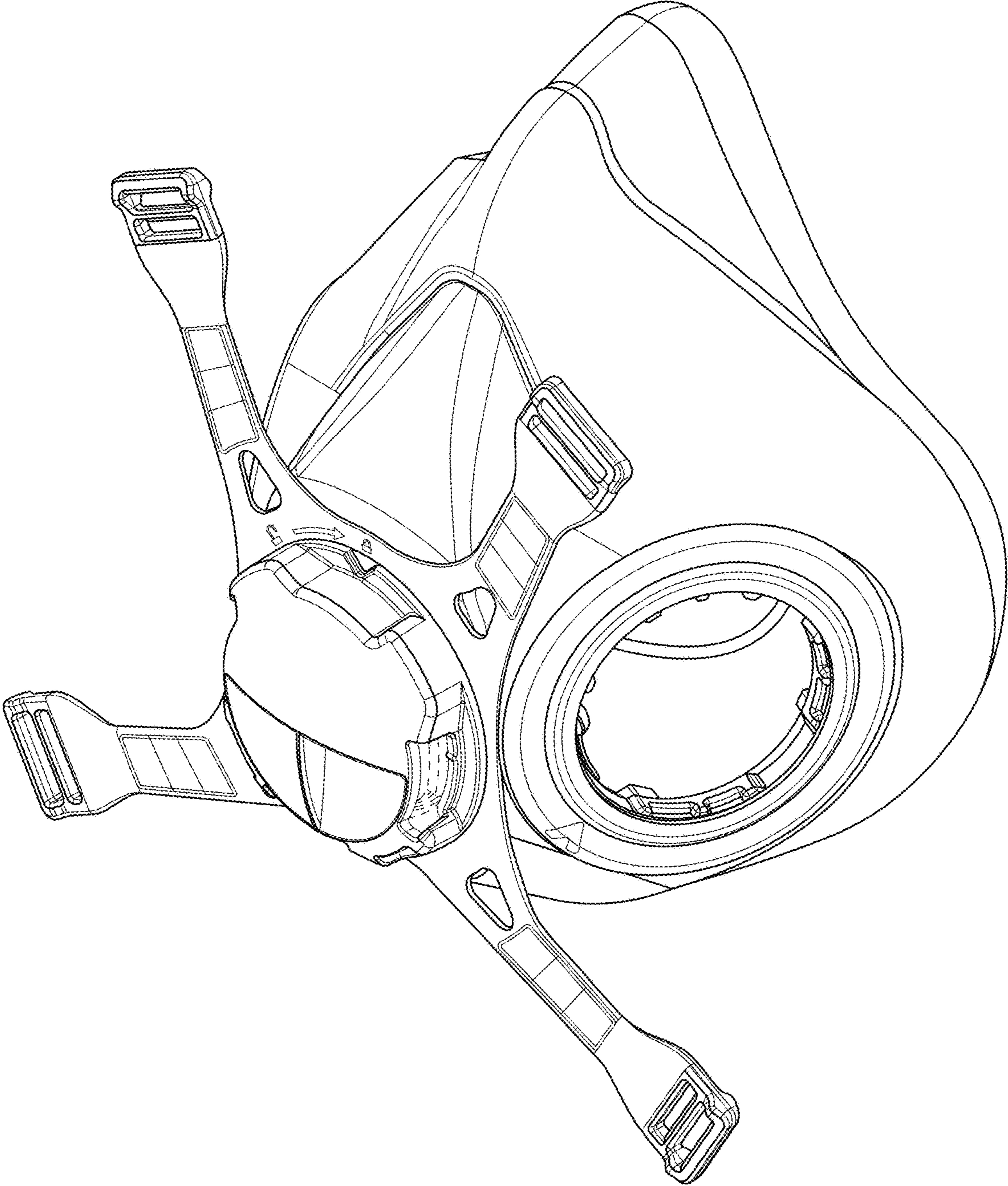


FIG. 1

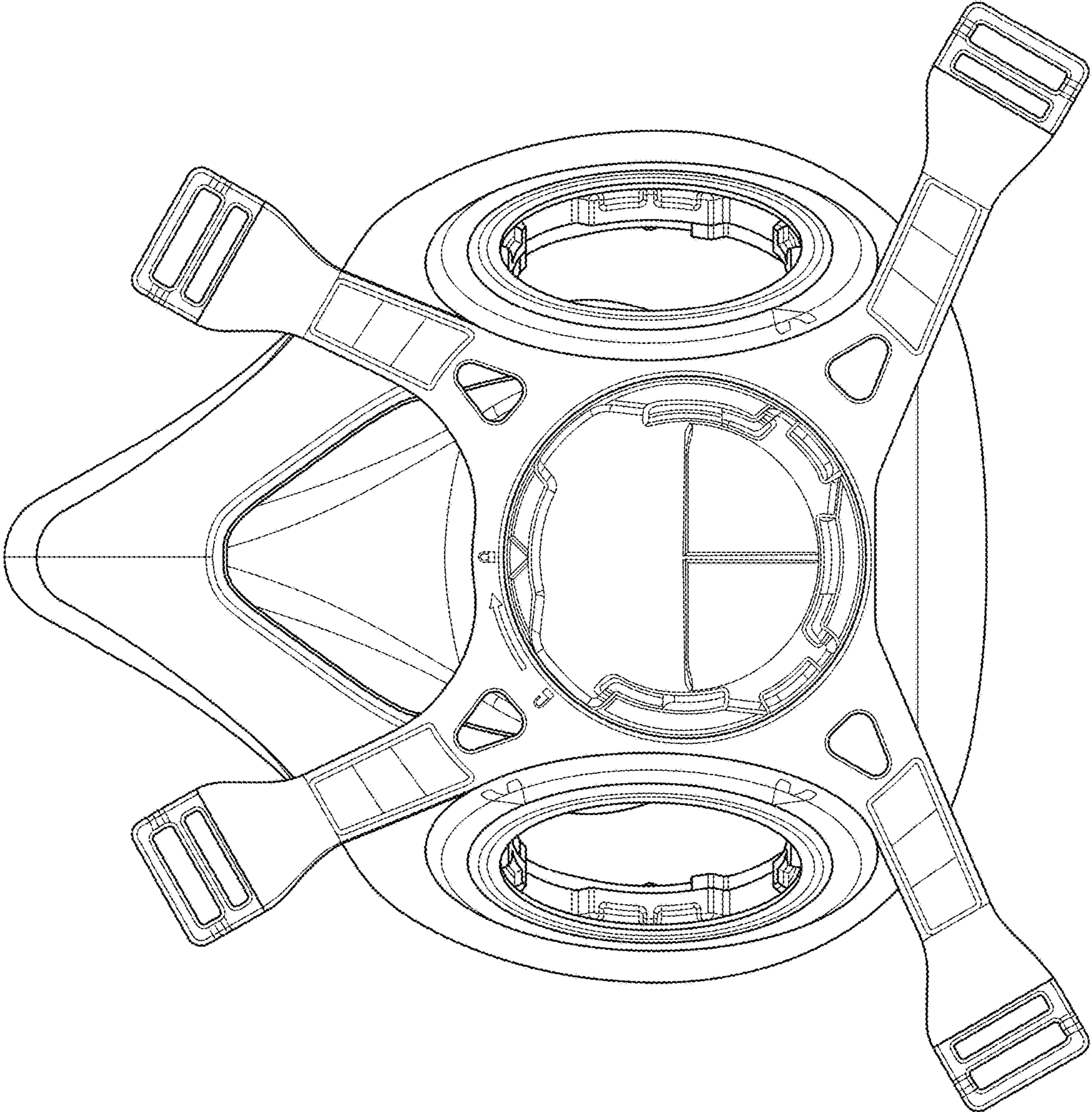


FIG. 2

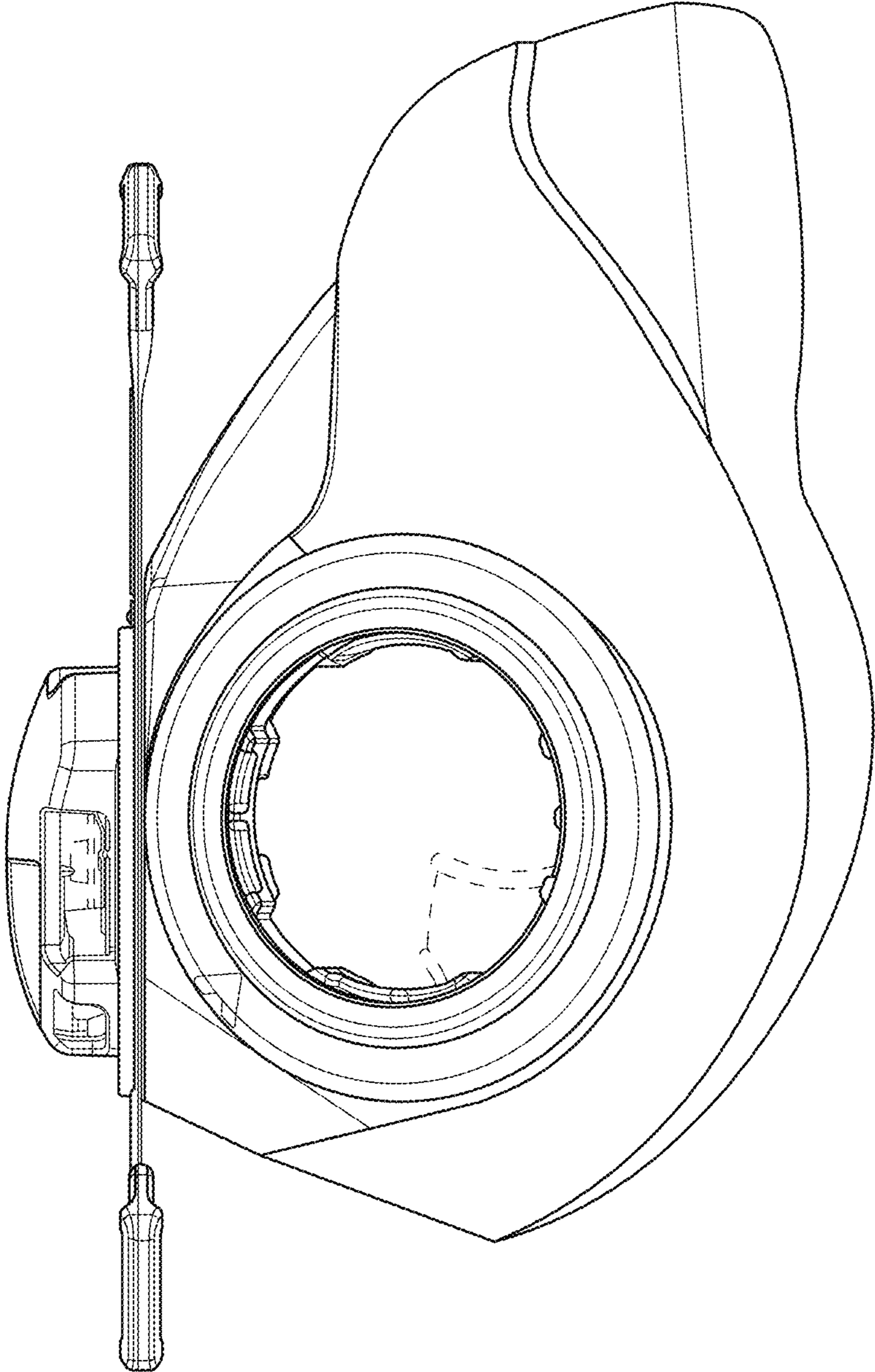


FIG. 3

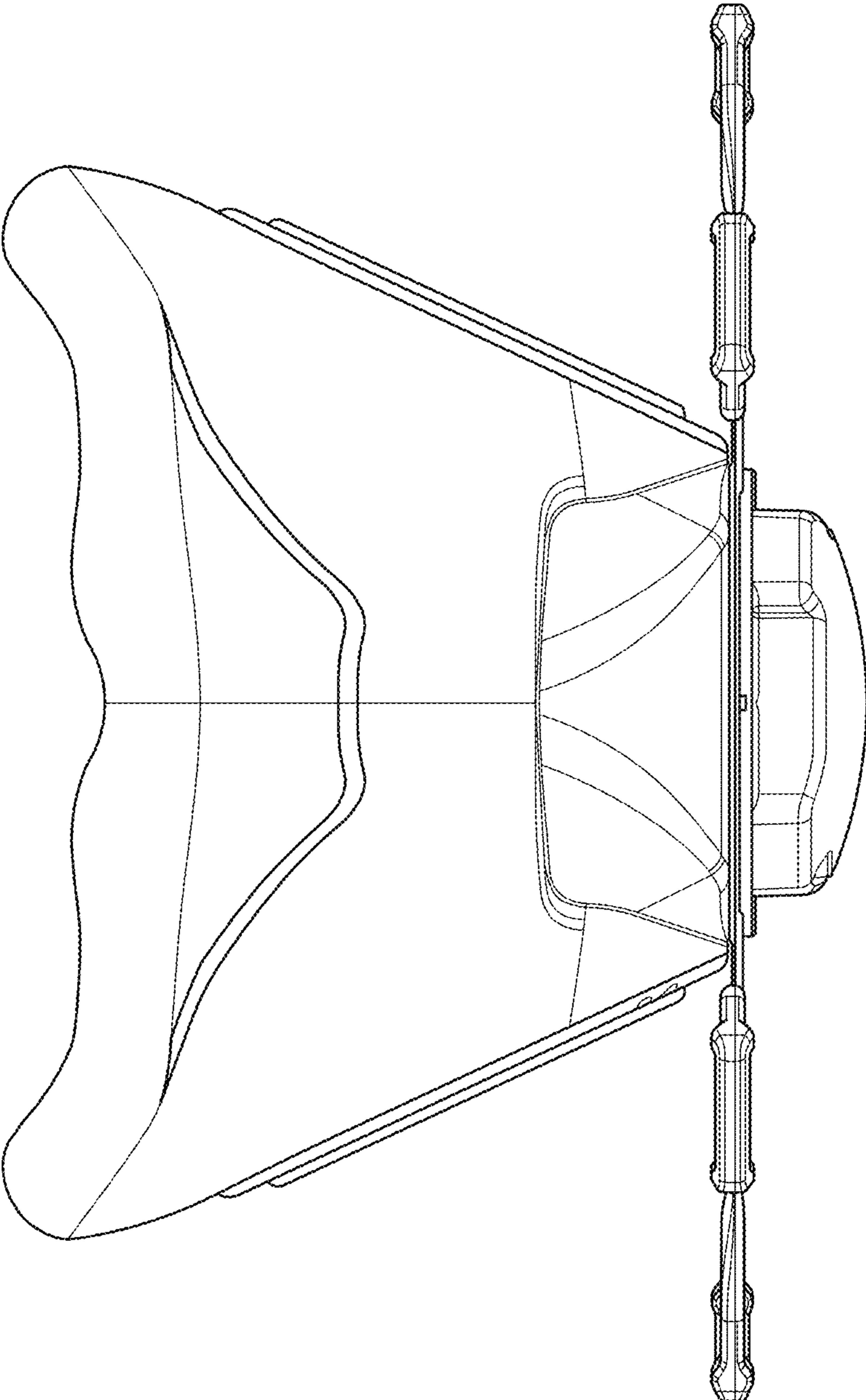


FIG. 4

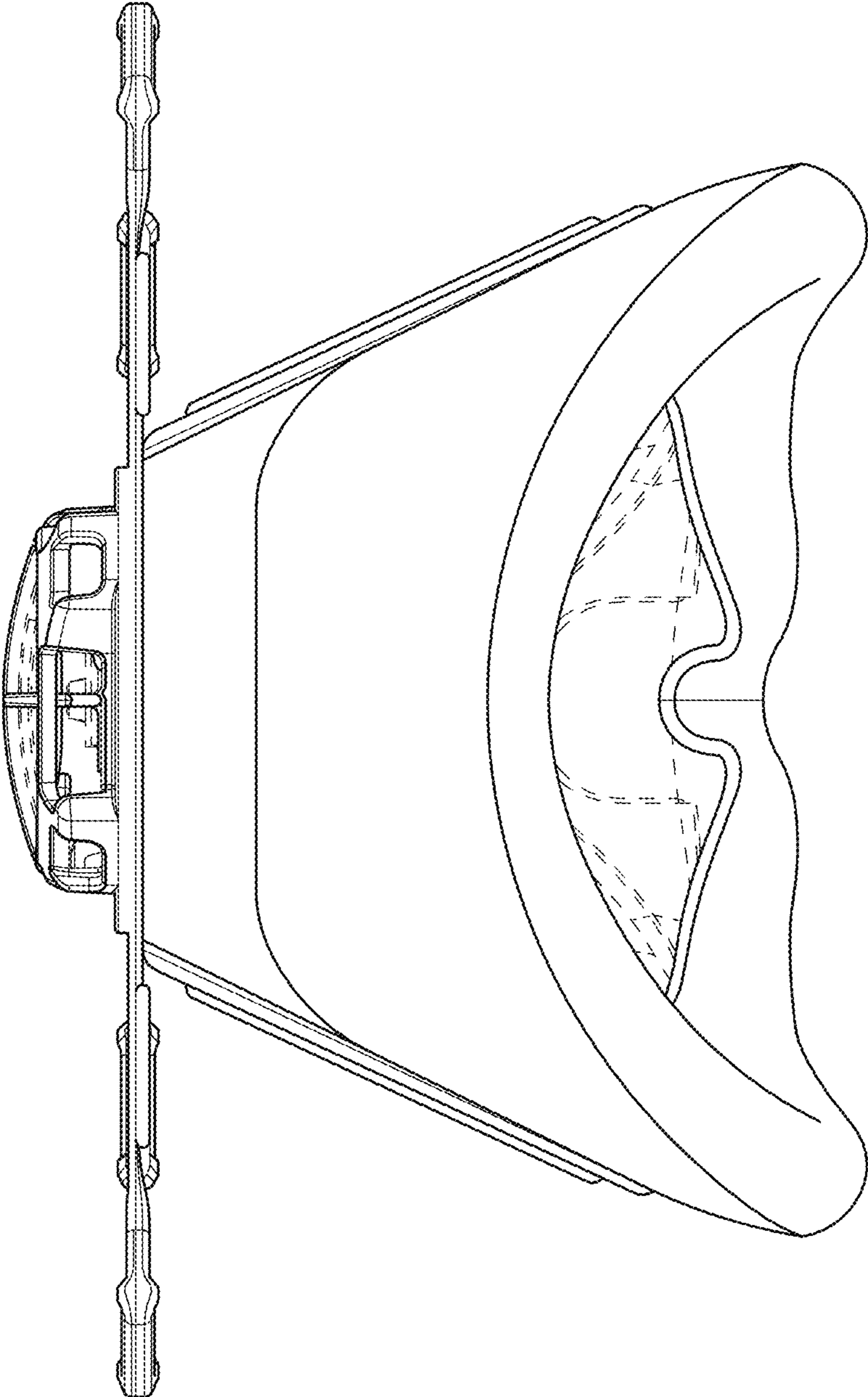


FIG. 5

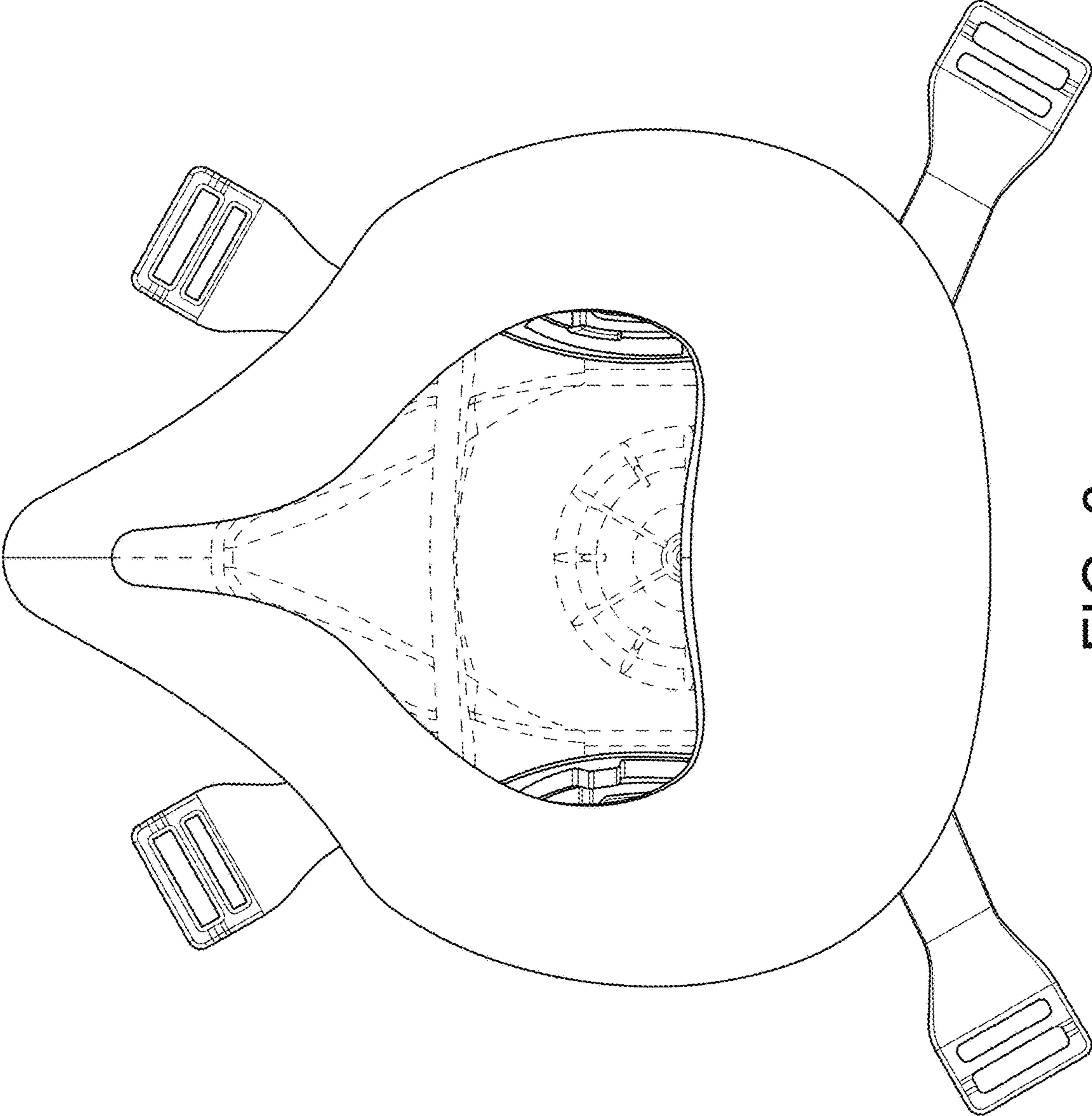


FIG. 6

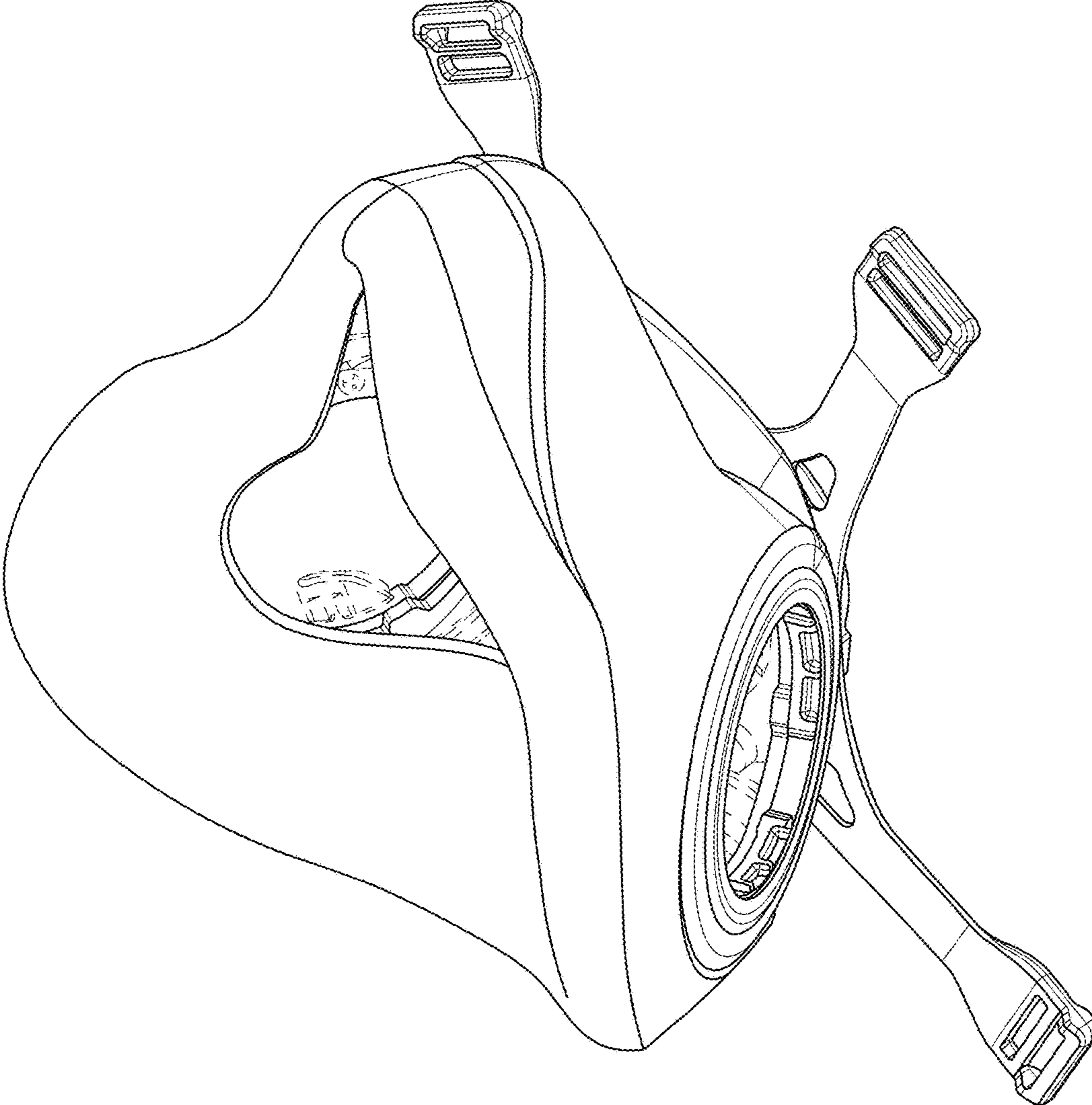


FIG. 7

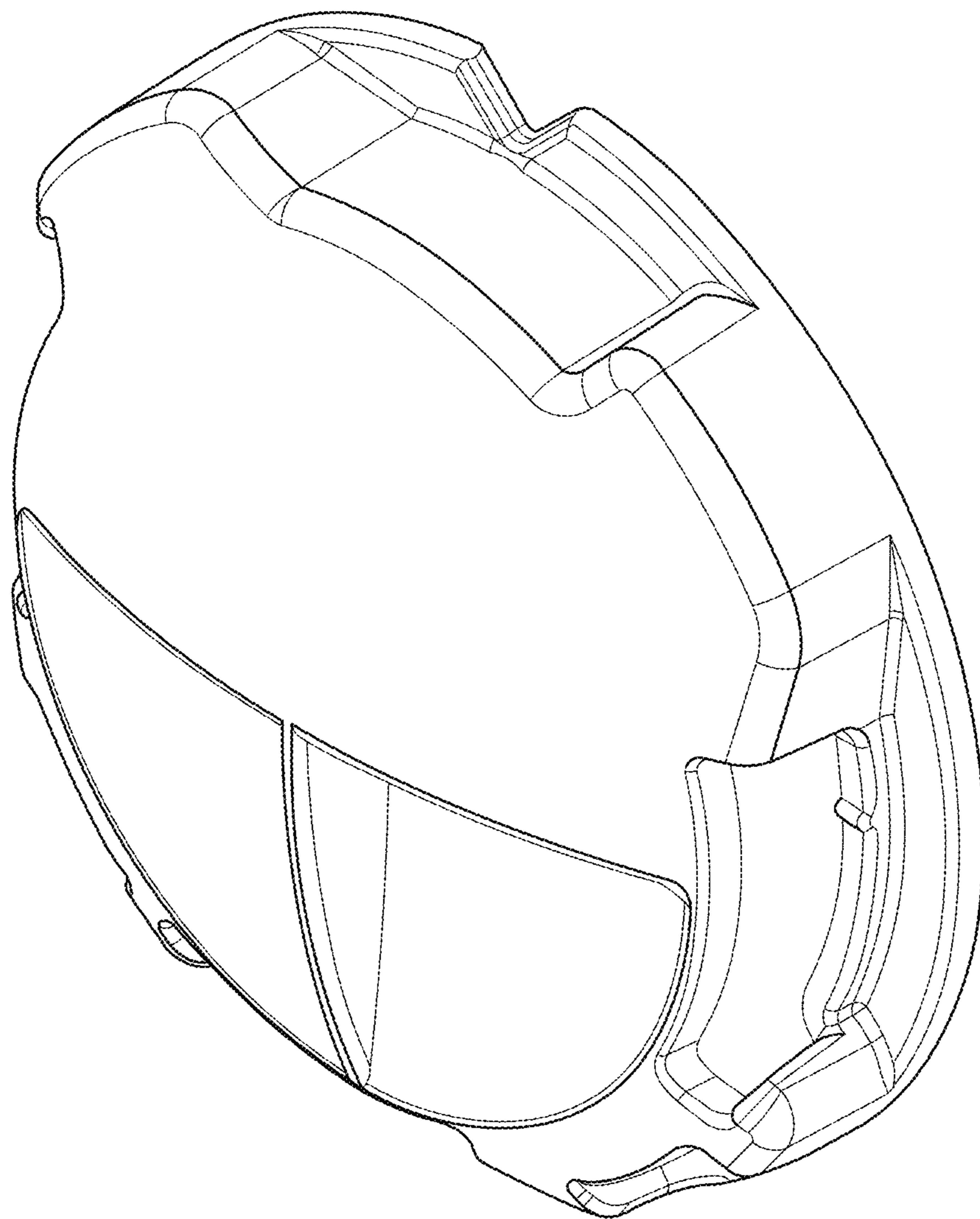


FIG. 8

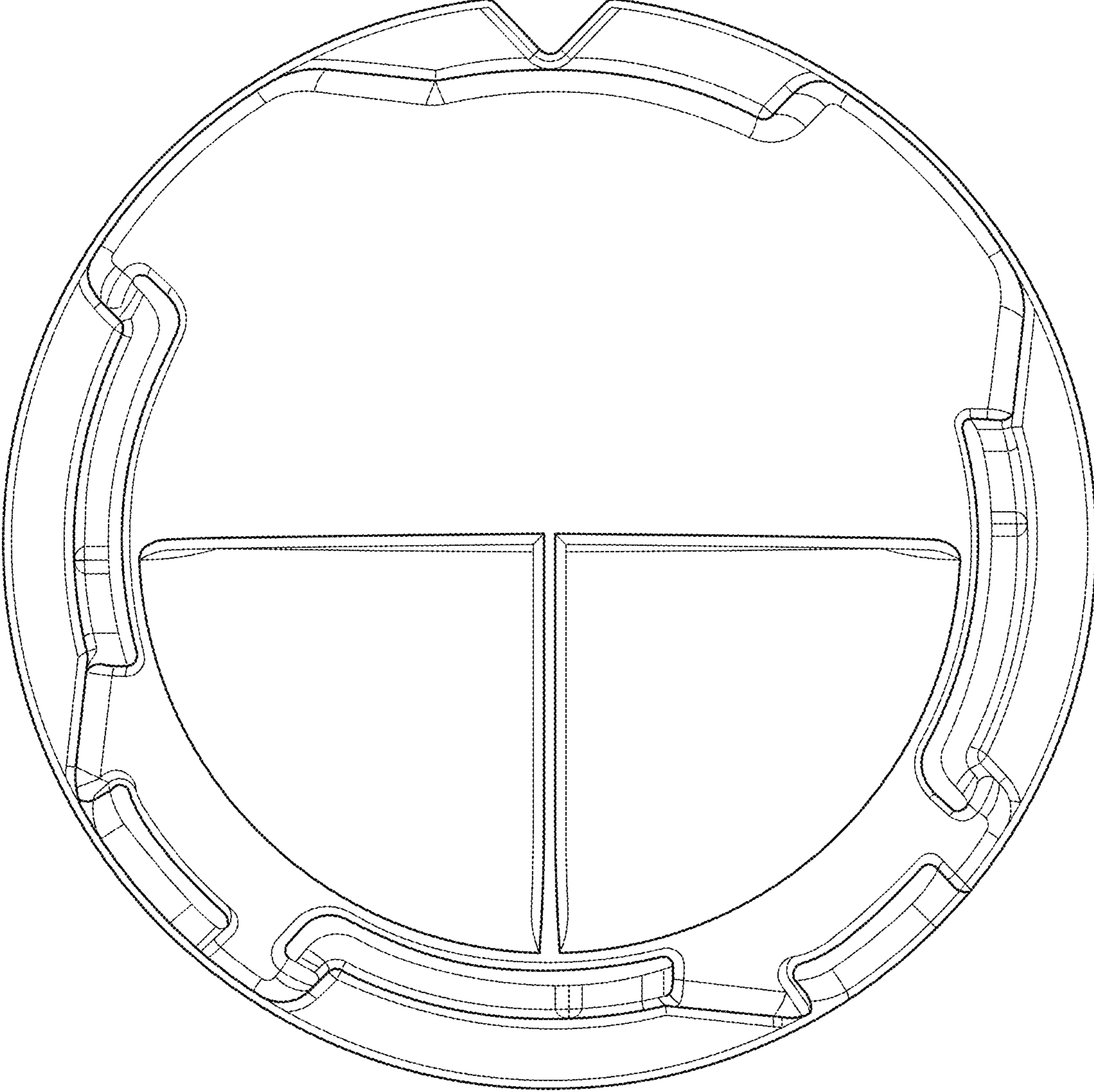


FIG. 9

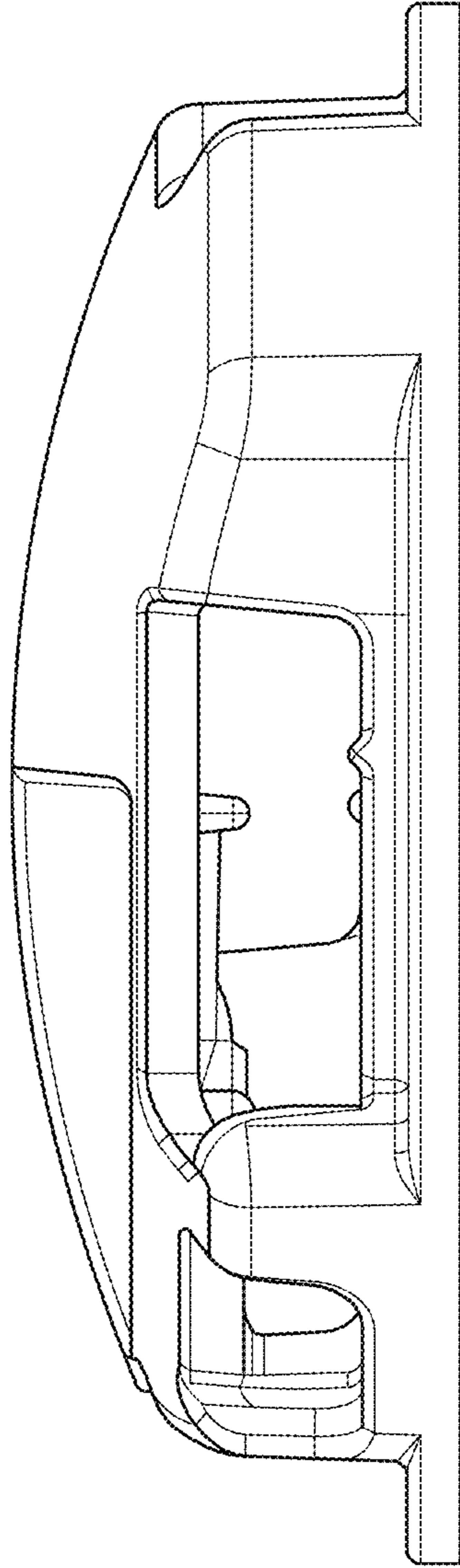


FIG. 10

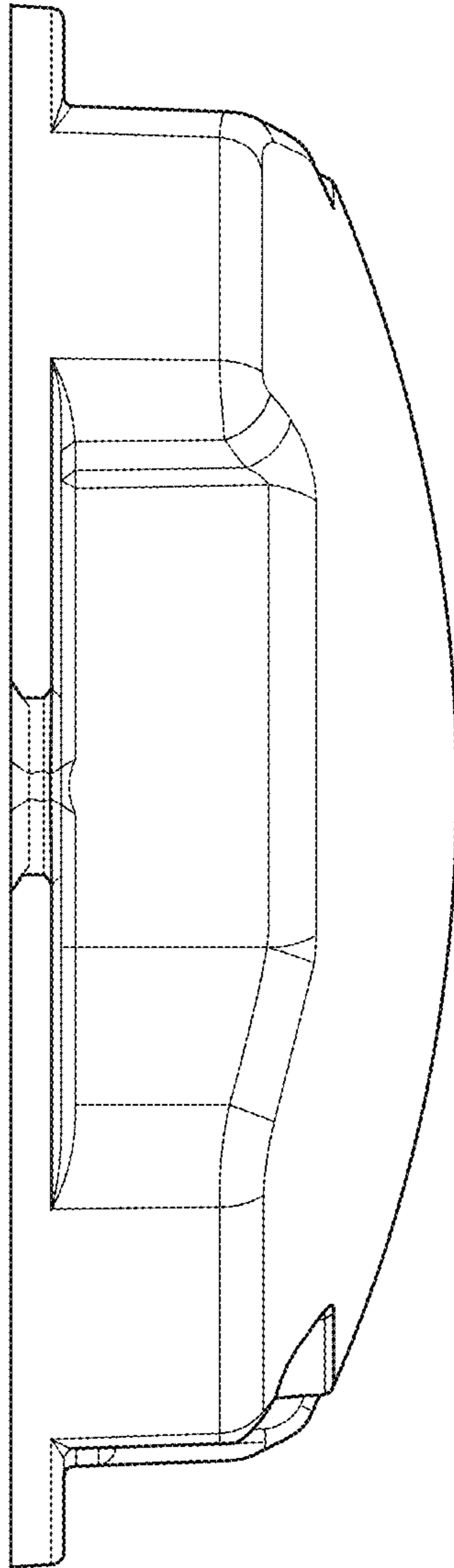


FIG. 11

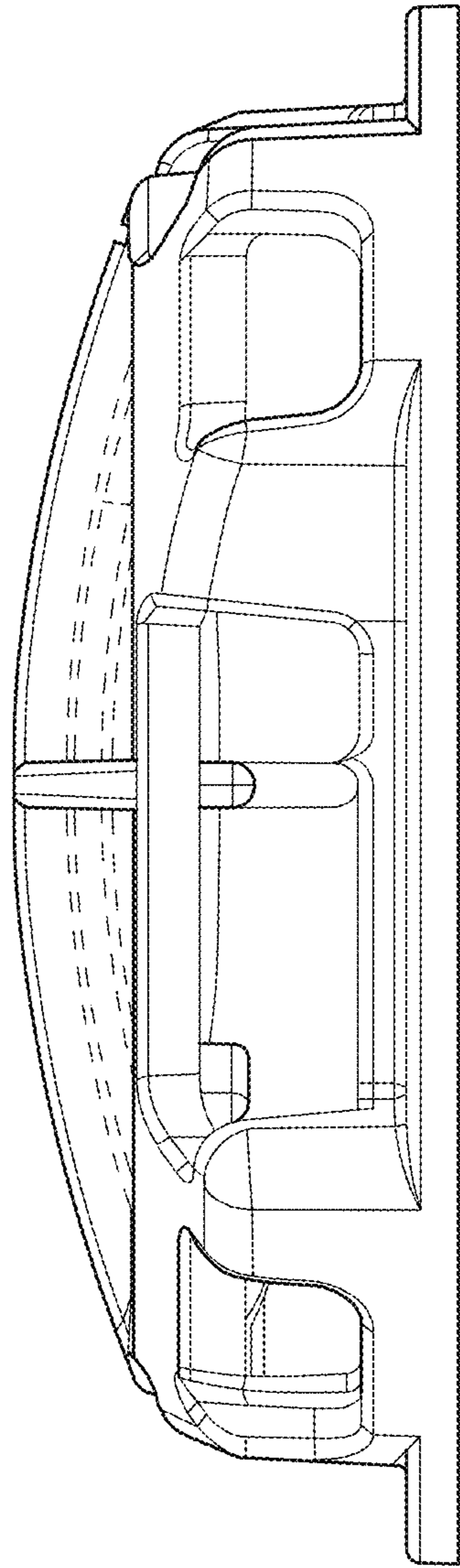


FIG. 12

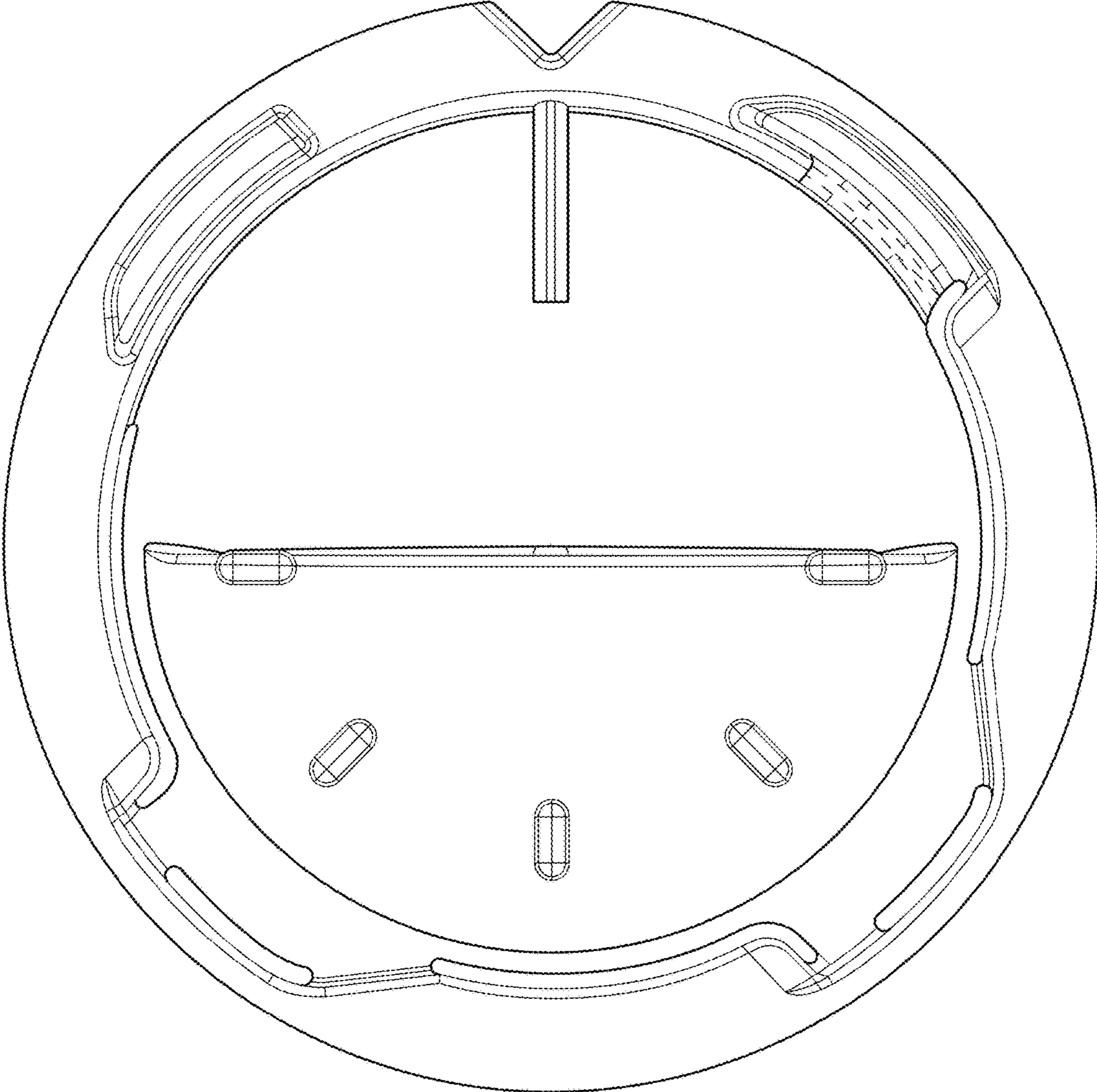


FIG. 13

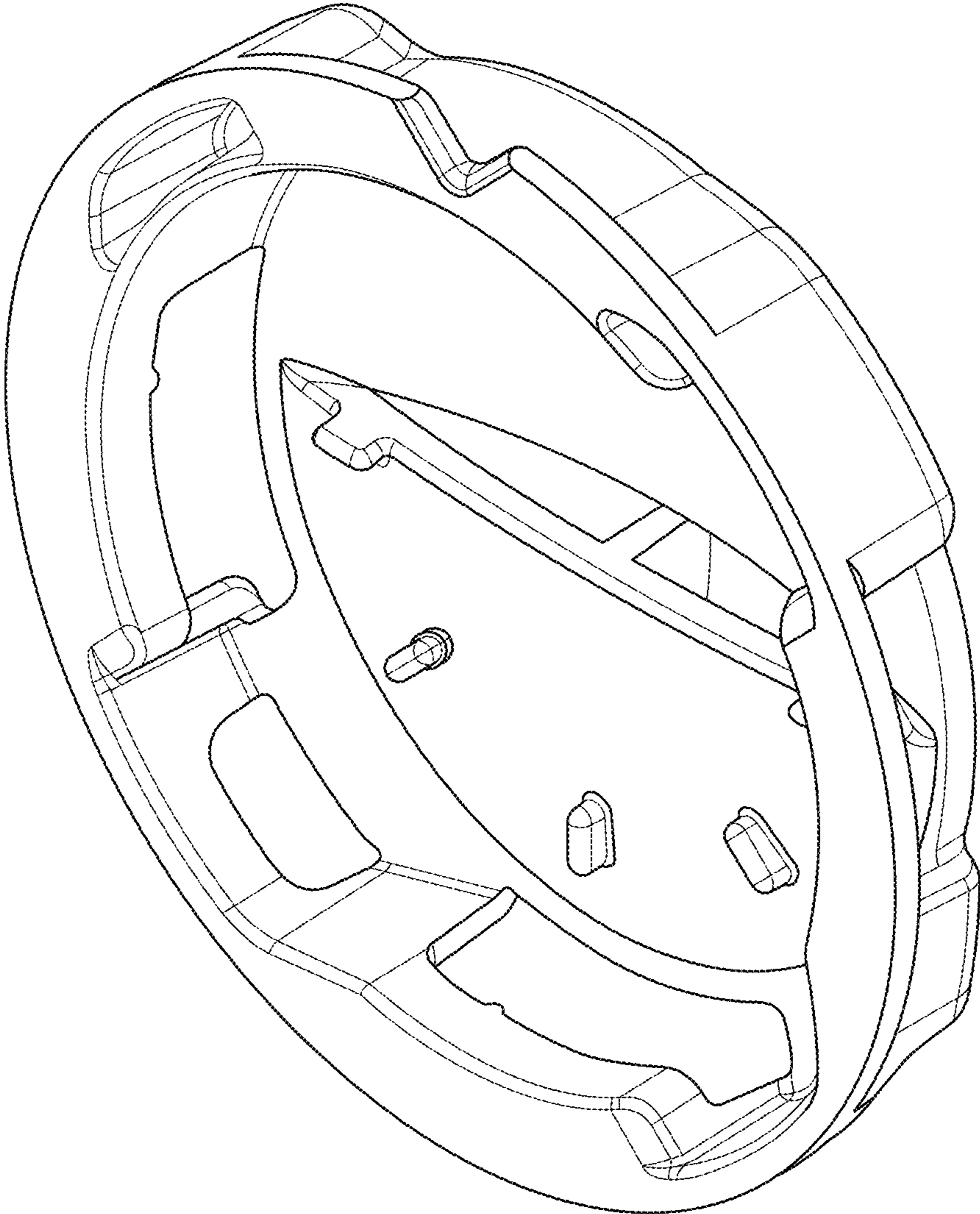


FIG. 14