



US00D810272S

(12) **United States Design Patent** (10) **Patent No.:** **US D810,272 S**  
**Rappaport** (45) **Date of Patent:** **\*\* Feb. 13, 2018**

(54) **EAR PLUG HAVING PISTON-LIKE EXTERIOR**

(71) Applicant: **Benjamin S. Rappaport**, Short Hills, NJ (US)

(72) Inventor: **Benjamin S. Rappaport**, Short Hills, NJ (US)

(\*\*) Term: **15 Years**

(21) Appl. No.: **29/557,025**

(22) Filed: **Mar. 4, 2016**

(51) **LOC (11) Cl.** ..... **24-04**

(52) **U.S. Cl.**  
USPC ..... **D24/106**

(58) **Field of Classification Search**  
USPC ..... D24/106, 173, 174; D14/223  
CPC ..... A61F 11/08; A61F 2011/085; A61F 11/10  
See application file for complete search history.

(56) **References Cited**

**U.S. PATENT DOCUMENTS**

2,737,427 A *	3/1956	Venner .....	F02F 3/08 92/229
3,050,056 A	8/1962	Dressler	
3,800,791 A	4/1974	Visor	
3,905,335 A	9/1975	Kapp	
4,055,233 A	10/1977	Huntress	
4,122,841 A	10/1978	Rock et al.	

(Continued)

**OTHER PUBLICATIONS**

Munitio, <http://www.thedieline.com/blog/2013/2/28/killnoise.html>,  
retrieved Aug. 2015.

(Continued)

*Primary Examiner* — Richelle G Shelton

(74) *Attorney, Agent, or Firm* — SACK IP Law p.c.; Alan M. Sack; Kimberley Elcess

(57) **CLAIM**

The ornamental design for an ear plug having piston-like exterior, substantially as shown and described.

**DESCRIPTION**

FIG. 1 is a perspective view of a first embodiment of the invention.

FIG. 2 is another perspective view of the embodiment shown in FIG. 1.

FIG. 3 is a front view of the embodiment shown in FIG. 1.

FIG. 4 is a back view of the embodiment shown in FIG. 1.

FIG. 5 is a left view of the embodiment shown in FIG. 1.

FIG. 6 is a right view of the embodiment shown in FIG. 1.

FIG. 7 is a top view of the embodiment shown in FIG. 1.

FIG. 8 is a bottom view of the embodiment shown in FIG. 1.

FIG. 9 is a perspective view of a second embodiment of the invention.

FIG. 10 is another perspective view of the embodiment shown in FIG. 9.

FIG. 11 is a front view of the embodiment shown in FIG. 9.

FIG. 12 is a back view of the embodiment shown in FIG. 9.

FIG. 13 is a left view of the embodiment shown in FIG. 9.

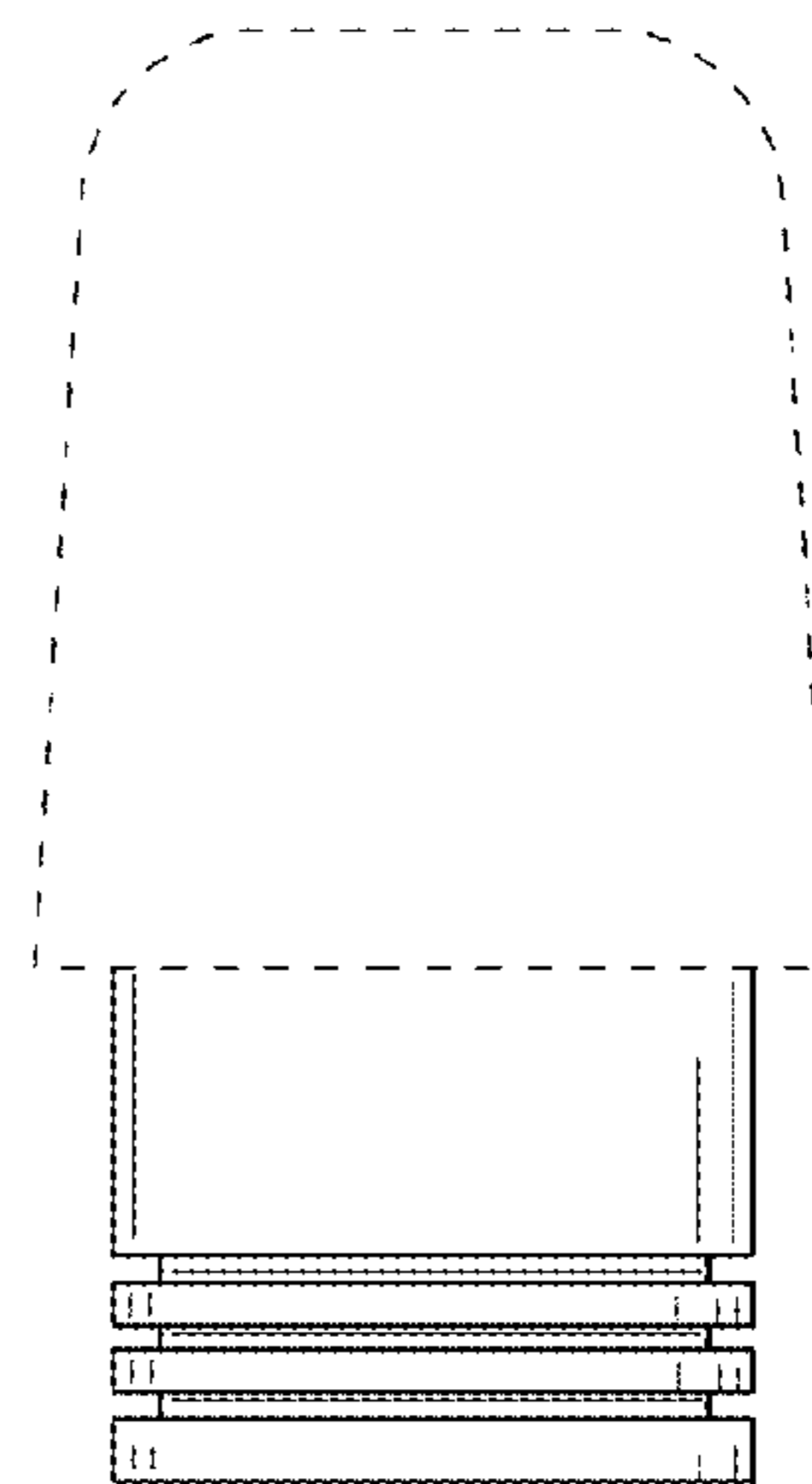
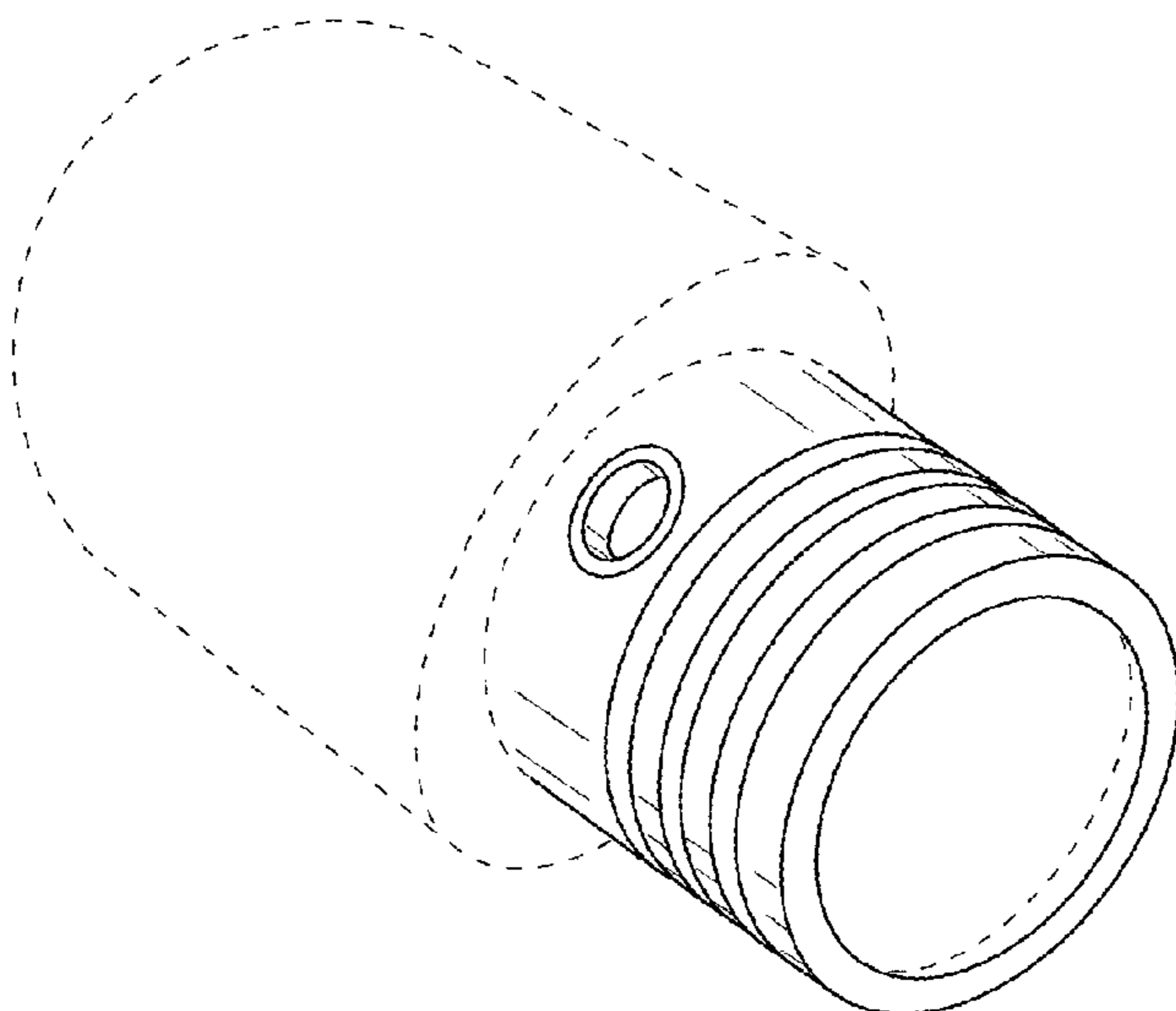
FIG. 14 is a right view of the embodiment shown in FIG. 9.

FIG. 15 is a top view of the embodiment shown in FIG. 9; and,

FIG. 16 is a bottom view of the embodiment shown in FIG. 9.

The broken lines are directed to subject matter excluded from the claim.

**1 Claim, 4 Drawing Sheets**



(56)

References Cited

U.S. PATENT DOCUMENTS

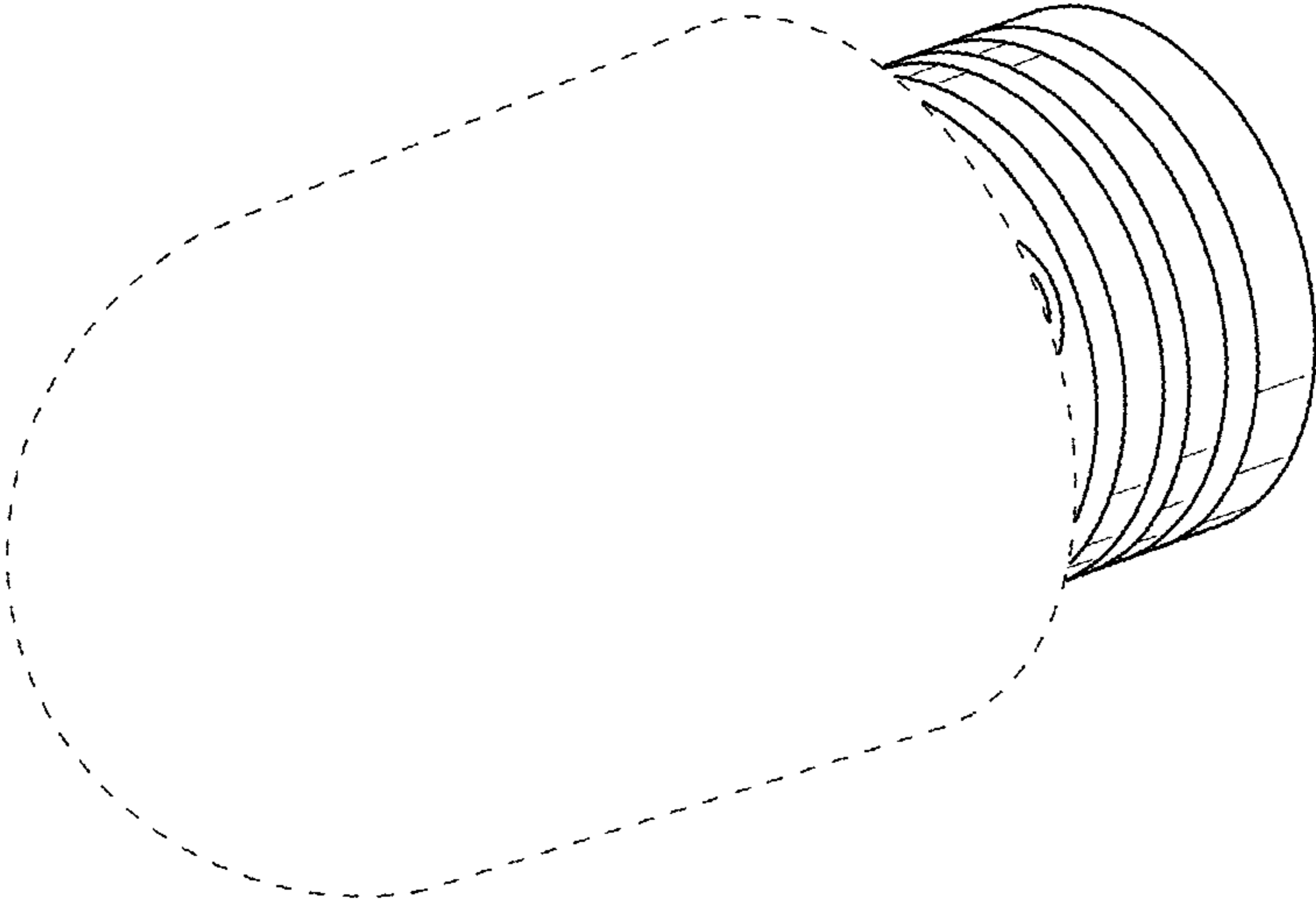
D253,723 S 12/1979 Leight  
 4,474,182 A 10/1984 Rea et al.  
 4,490,857 A 1/1985 Leight et al.  
 D287,599 S \* 1/1987 Murray ..... D15/5  
 4,804,362 A 2/1989 Enzo  
 4,867,149 A 9/1989 Falco  
 4,896,679 A 1/1990 St. Pierre  
 5,031,219 A 7/1991 Ward et al.  
 5,074,375 A 12/1991 Grozil  
 5,153,387 A 10/1992 Zwislocki et al.  
 D364,455 S \* 11/1995 Krause ..... D24/106  
 5,467,784 A 11/1995 Mobley et al.  
 D377,493 S \* 1/1997 Oda ..... 123/193.6  
 D383,761 S \* 9/1997 Huntzinger ..... D15/5  
 D399,212 S \* 10/1998 Roderweiss ..... D15/5  
 5,819,745 A 10/1998 Mobley et al.  
 5,957,136 A 9/1999 Magidson et al.  
 5,988,313 A 11/1999 Hakansson  
 D427,304 S 6/2000 Magidson et al.  
 D434,139 S 11/2000 Foslien  
 6,148,821 A 11/2000 Falco  
 D436,164 S 1/2001 Foslien  
 D439,984 S \* 4/2001 Thach ..... D24/215  
 D472,627 S 4/2003 Falco  
 6,568,394 B2 5/2003 Falco  
 6,695,093 B1 2/2004 Falco  
 6,772,854 B2 8/2004 Wubker  
 7,192,544 B2 3/2007 Jenkins, Jr. et al.  
 7,490,629 B2 2/2009 Williams et al.

D591,732 S 5/2009 Burton  
 D592,300 S 5/2009 Yeh  
 7,697,706 B2 4/2010 Doty  
 7,727,433 B2 6/2010 Knauer et al.  
 7,731,487 B2 6/2010 Knauer et al.  
 D632,678 S 2/2011 Brown et al.  
 7,984,716 B2 7/2011 Purcell et al.  
 8,113,207 B2 2/2012 Gehling et al.  
 8,297,287 B2 10/2012 Falco  
 8,345,906 B1 1/2013 Kataw  
 D679,682 S 4/2013 Shimizu et al.  
 8,499,886 B2 8/2013 Johnston et al.  
 D709,609 S 7/2014 Hatfield et al.  
 8,820,013 B2 9/2014 Fennell  
 D715,272 S 10/2014 Burton  
 D739,518 S \* 9/2015 Butler ..... D24/106  
 D768,207 S \* 10/2016 Riffe ..... D15/5  
 D788,291 S \* 5/2017 Leight ..... D24/106  
 2006/0045299 A1 3/2006 Haussmann  
 2012/0318605 A1 12/2012 Brown  
 2013/0188819 A1 7/2013 Young-Mun  
 2014/0190493 A1 7/2014 Smith  
 2014/0190494 A1 7/2014 Ely

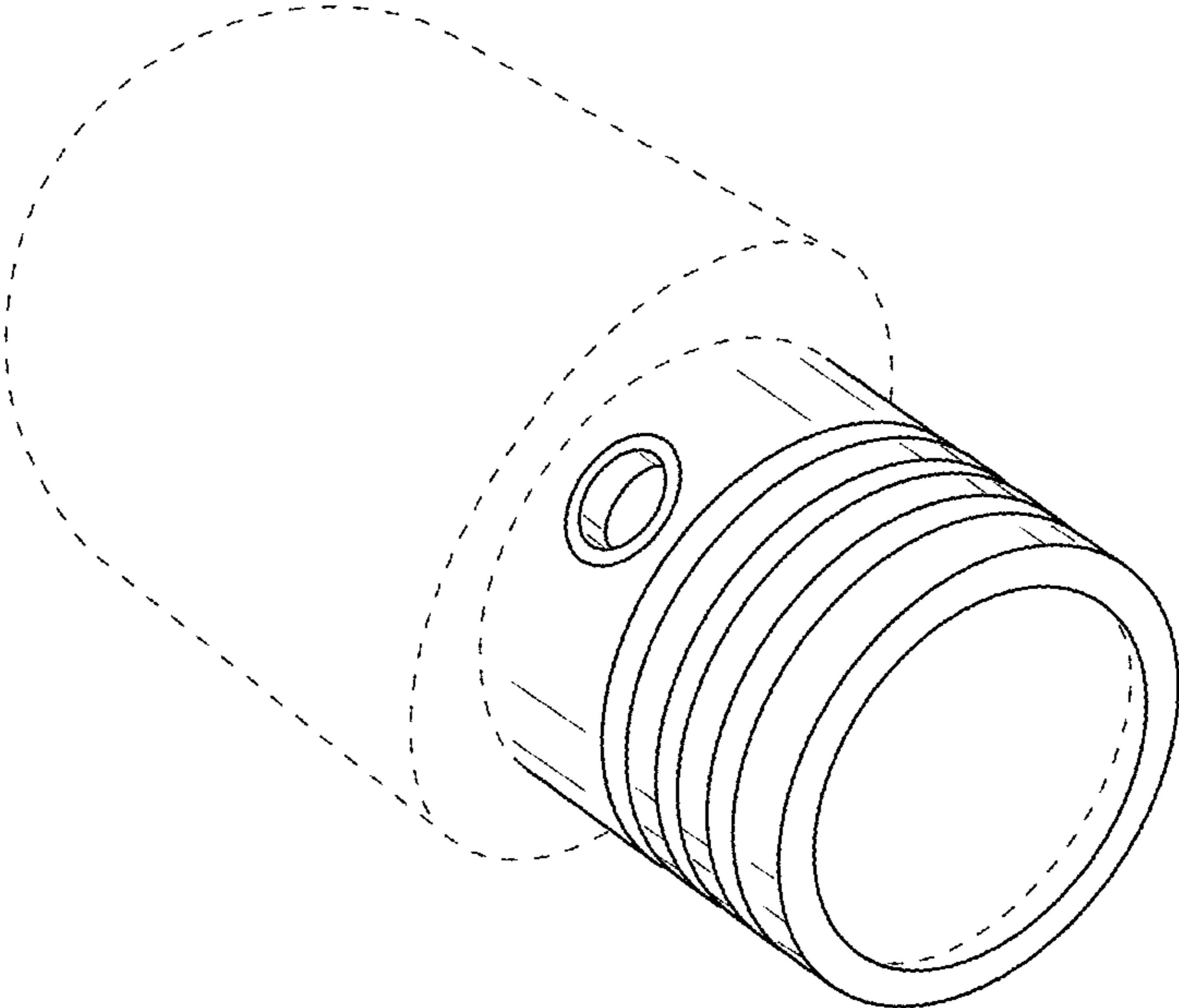
OTHER PUBLICATIONS

Killnoise, <http://www.technologytell.com/apple/120509/munitio/>,  
 retrieved Aug. 2015.  
 International Search Report and Written Opinion for International  
 Patent Application No. PCT/US16/19736 dated Jul. 7, 2016.

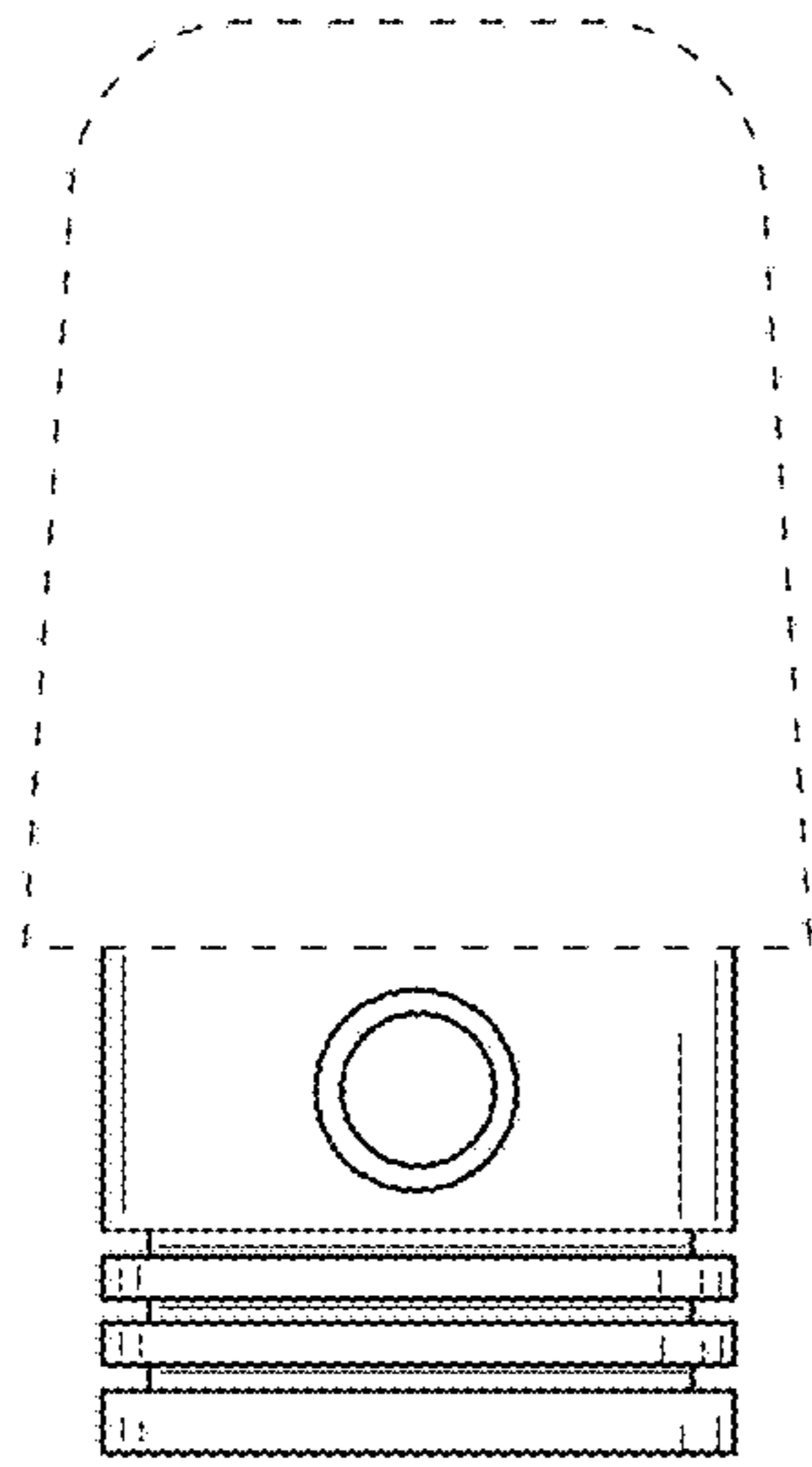
\* cited by examiner



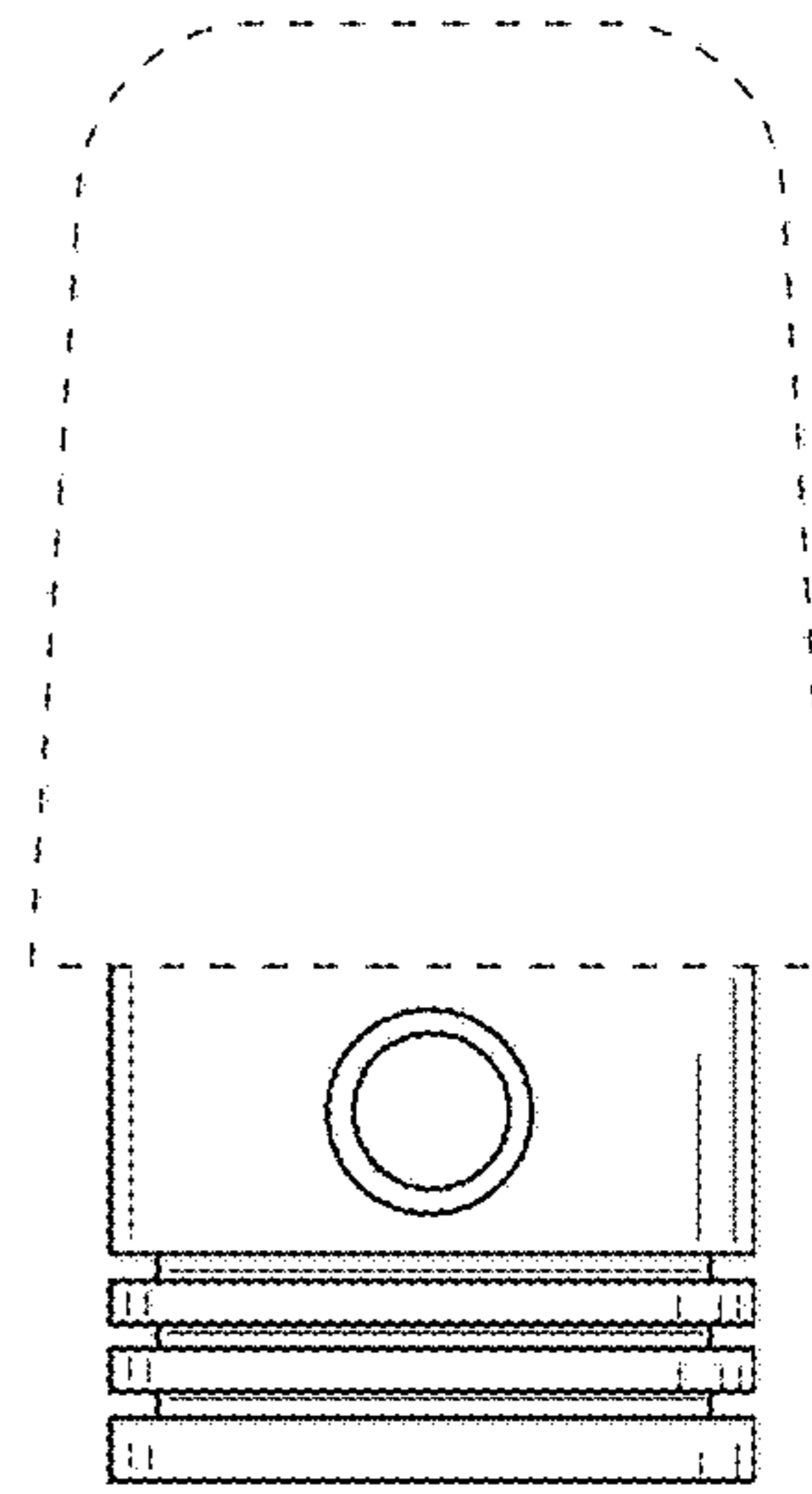
**FIG. 1**



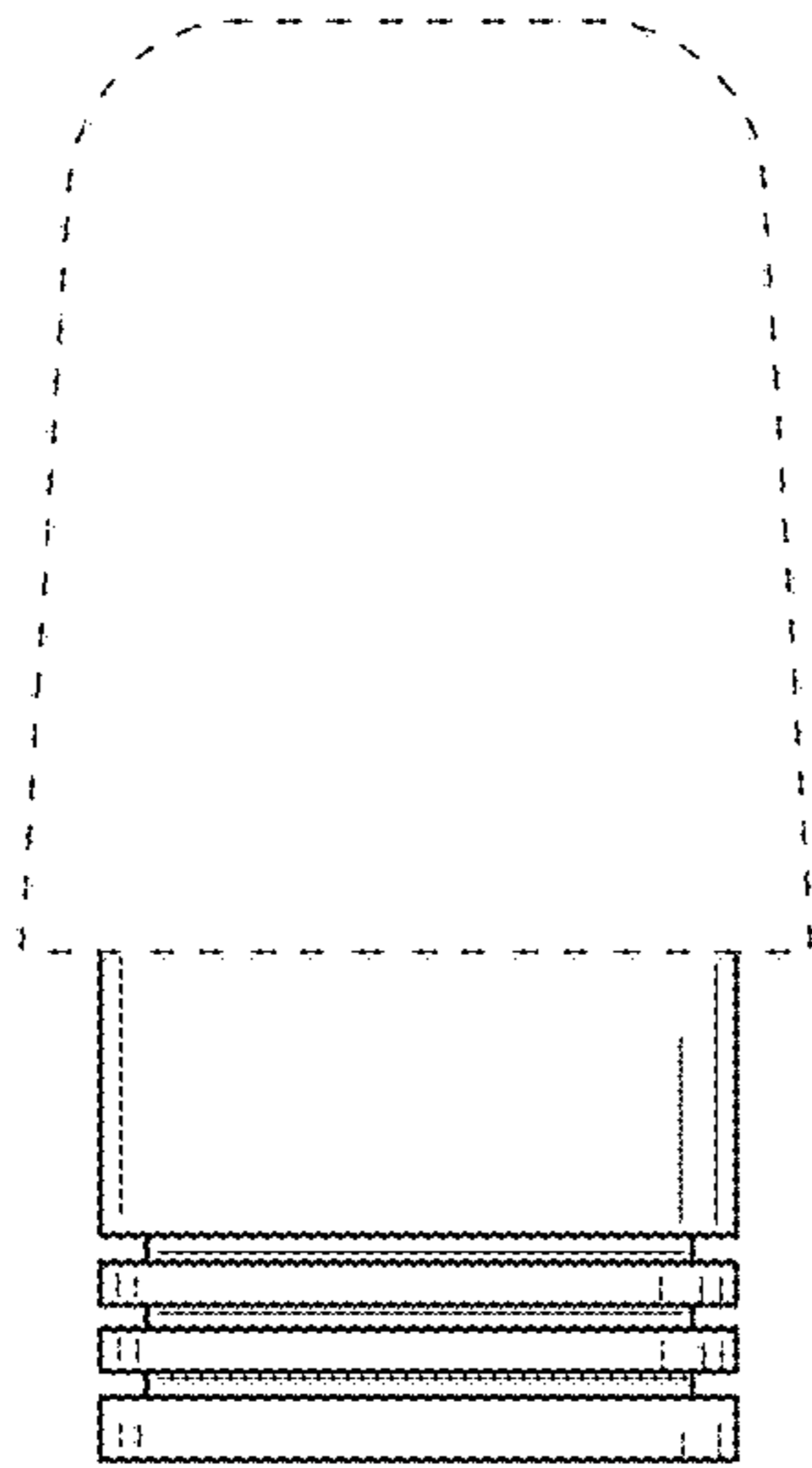
**FIG. 2**



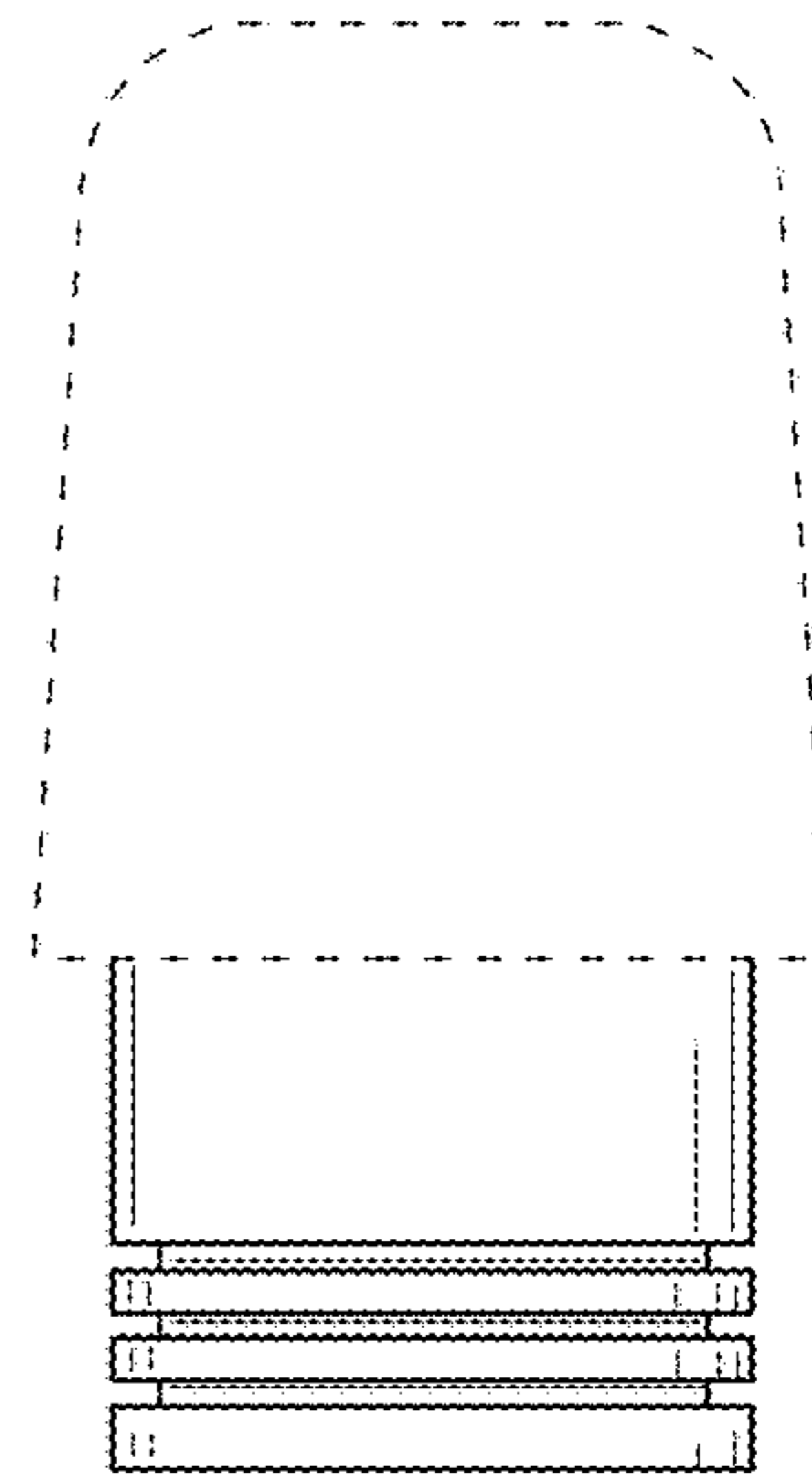
**FIG. 3**



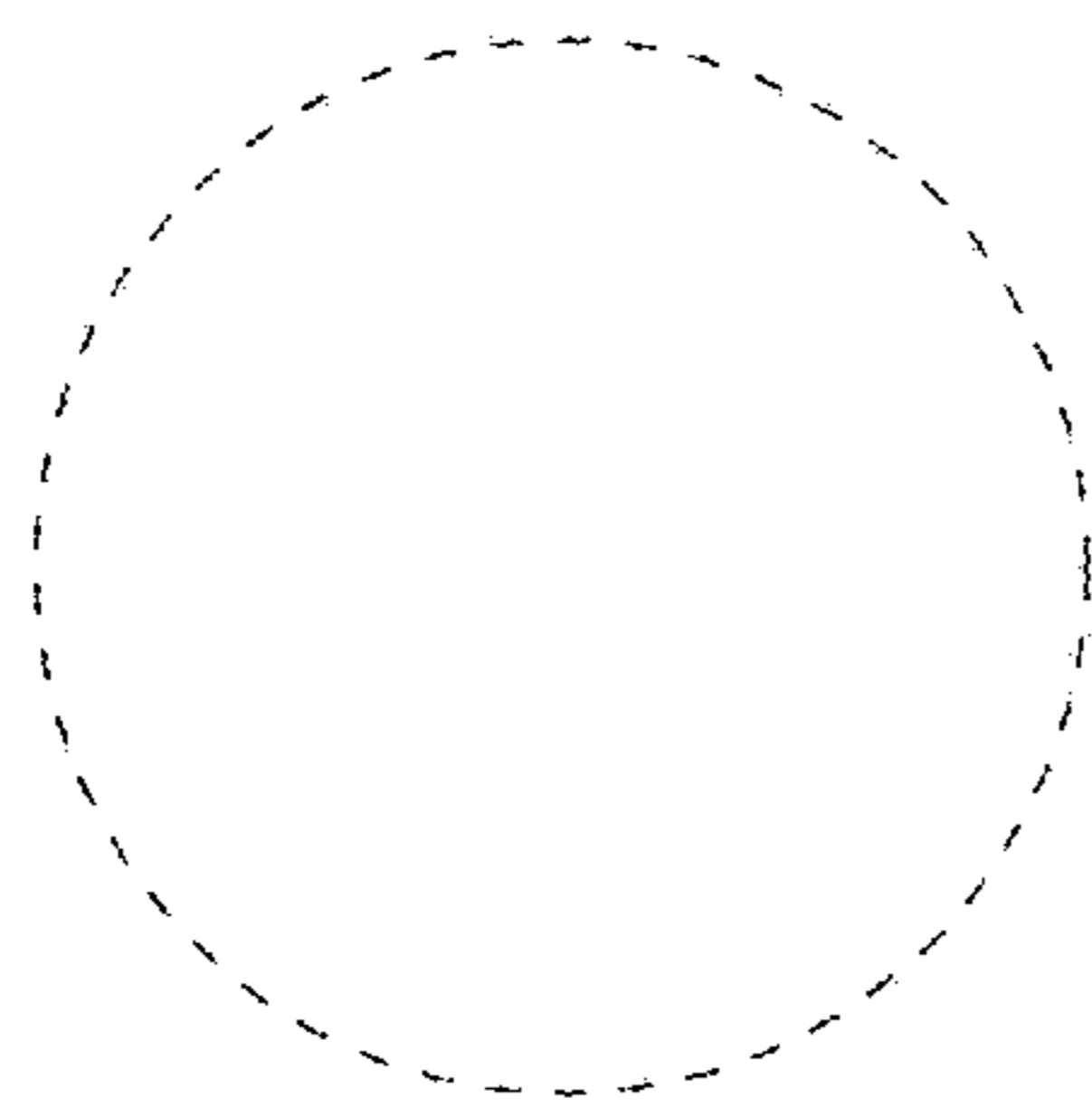
**FIG. 4**



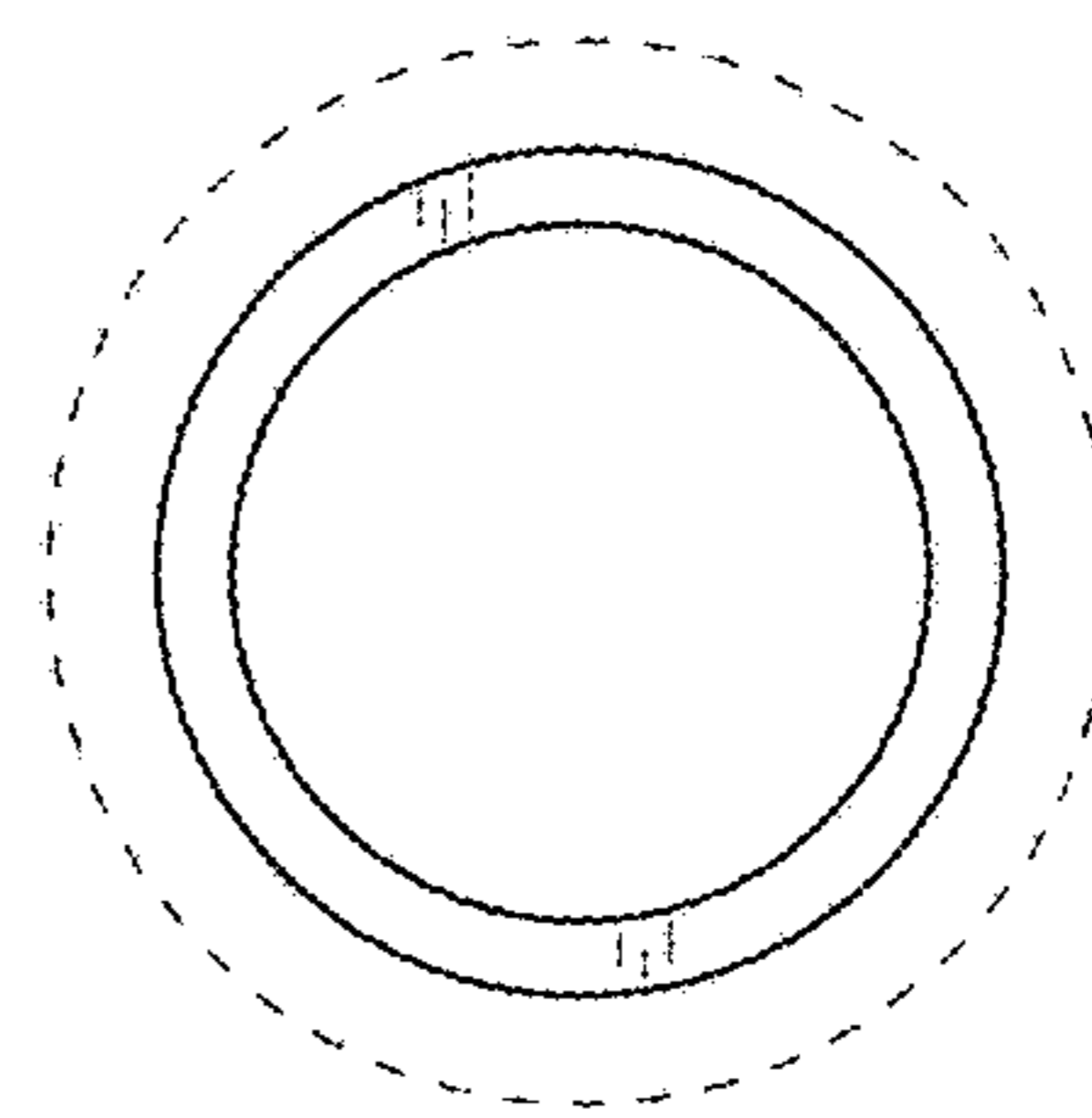
**FIG. 5**



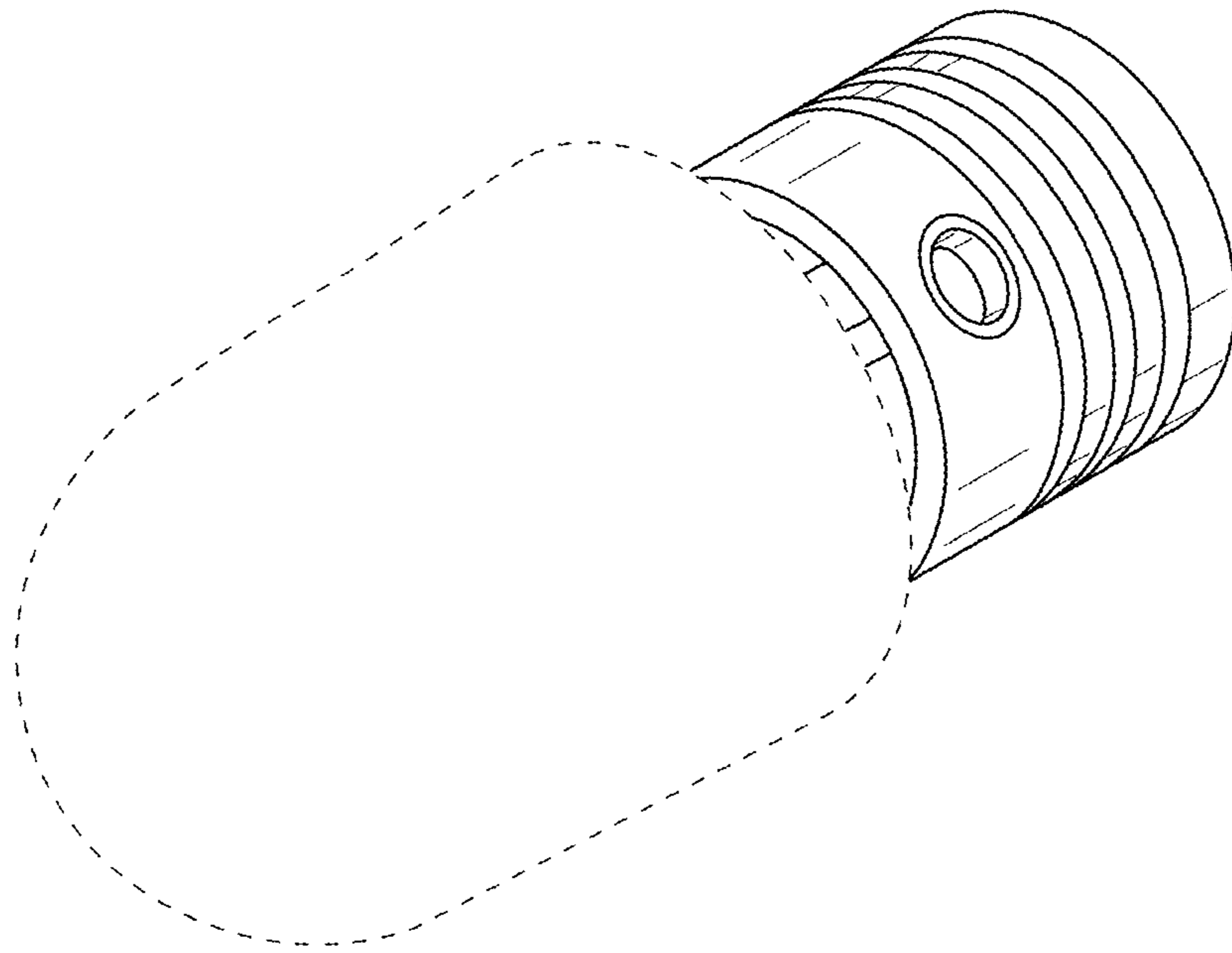
**FIG. 6**



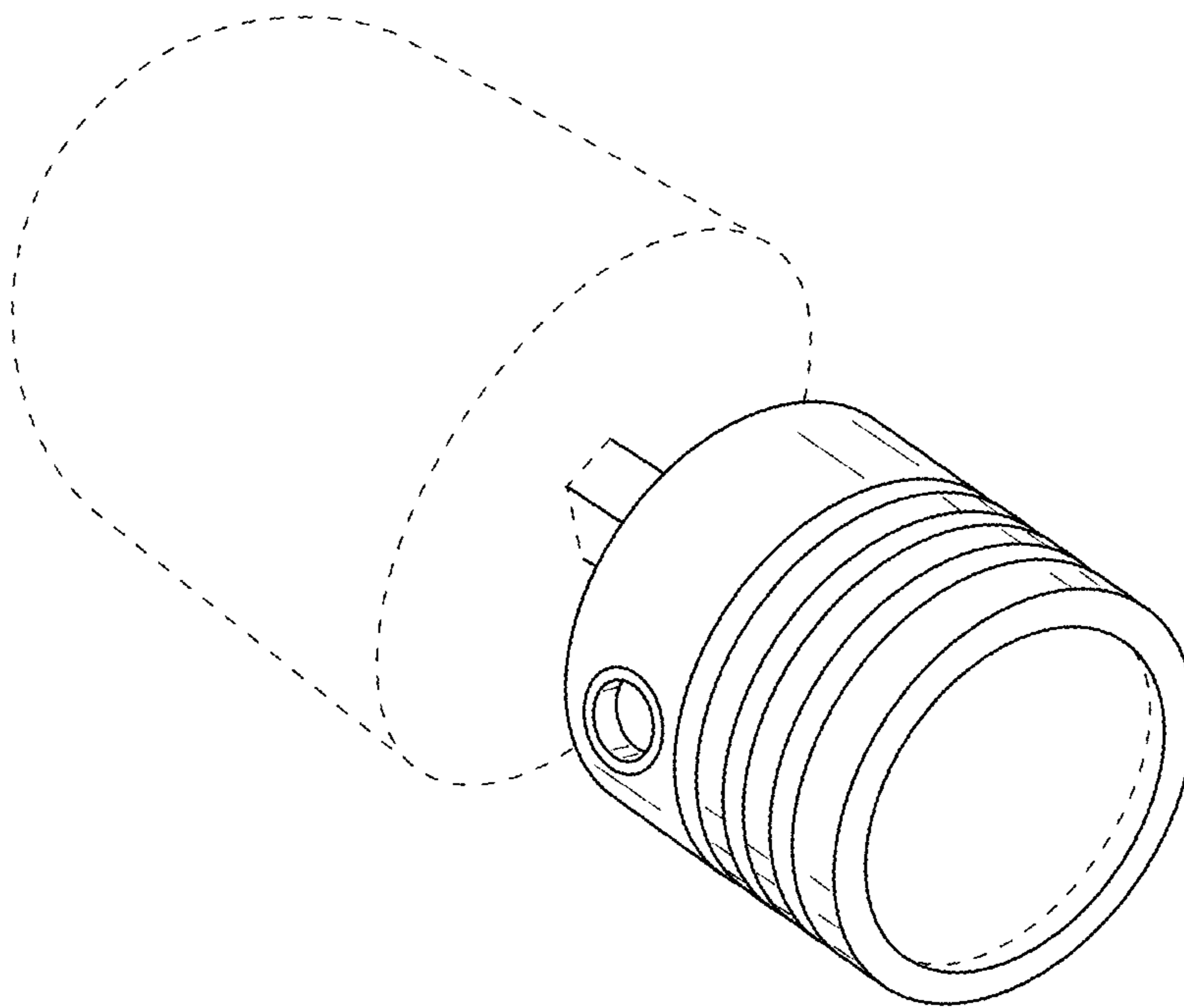
**FIG. 7**



**FIG. 8**

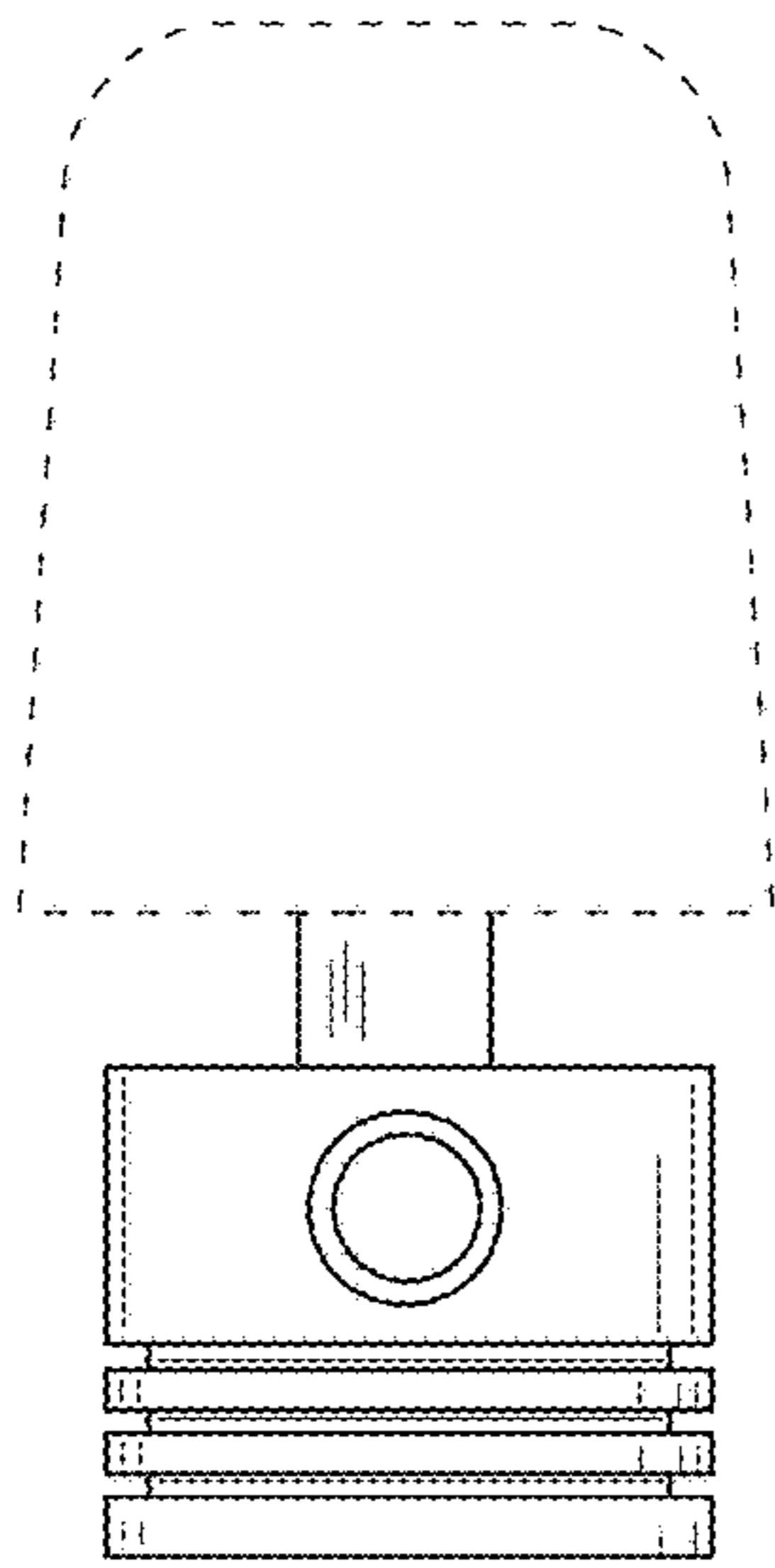


**FIG. 9**

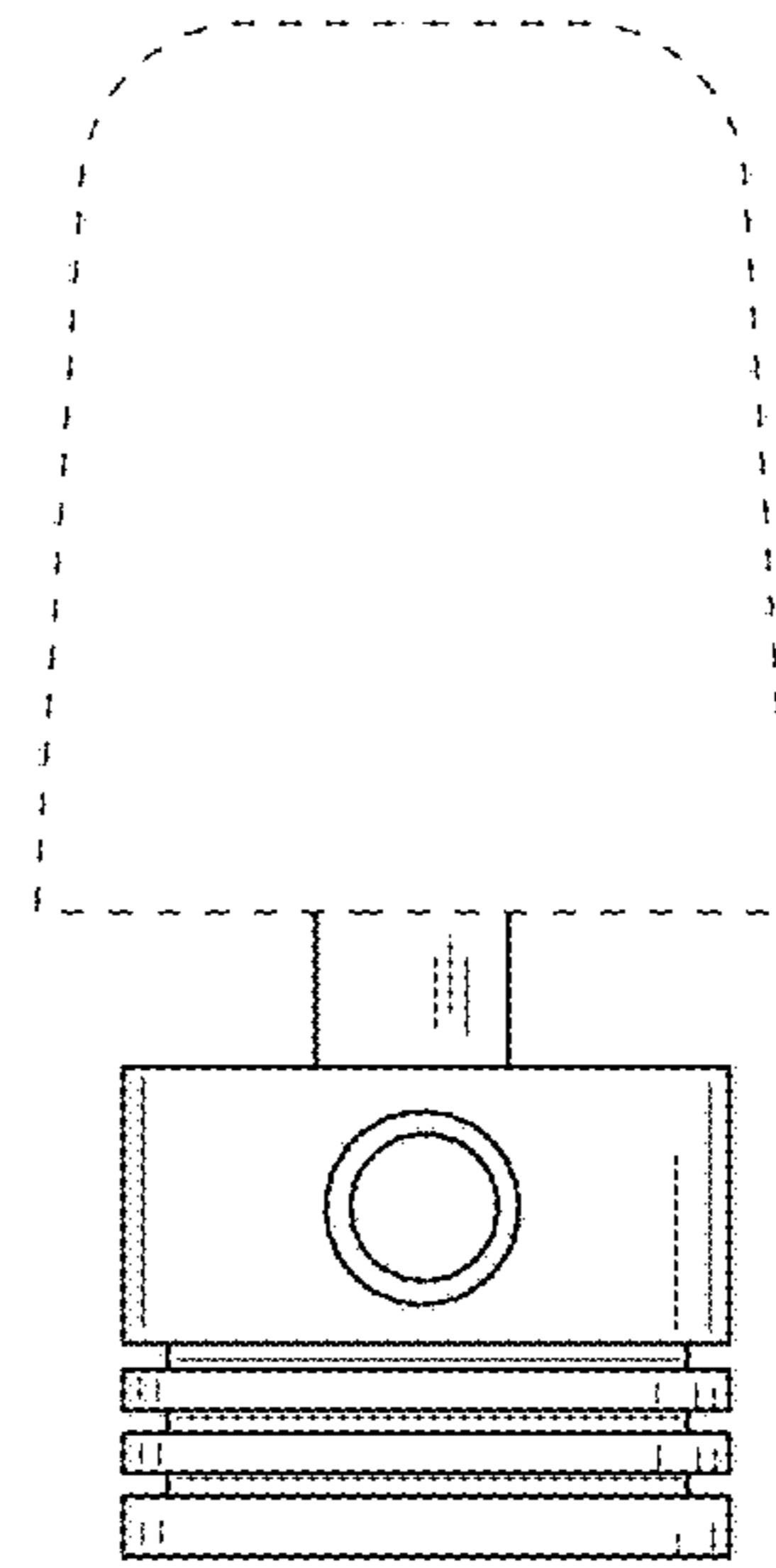


**FIG. 10**

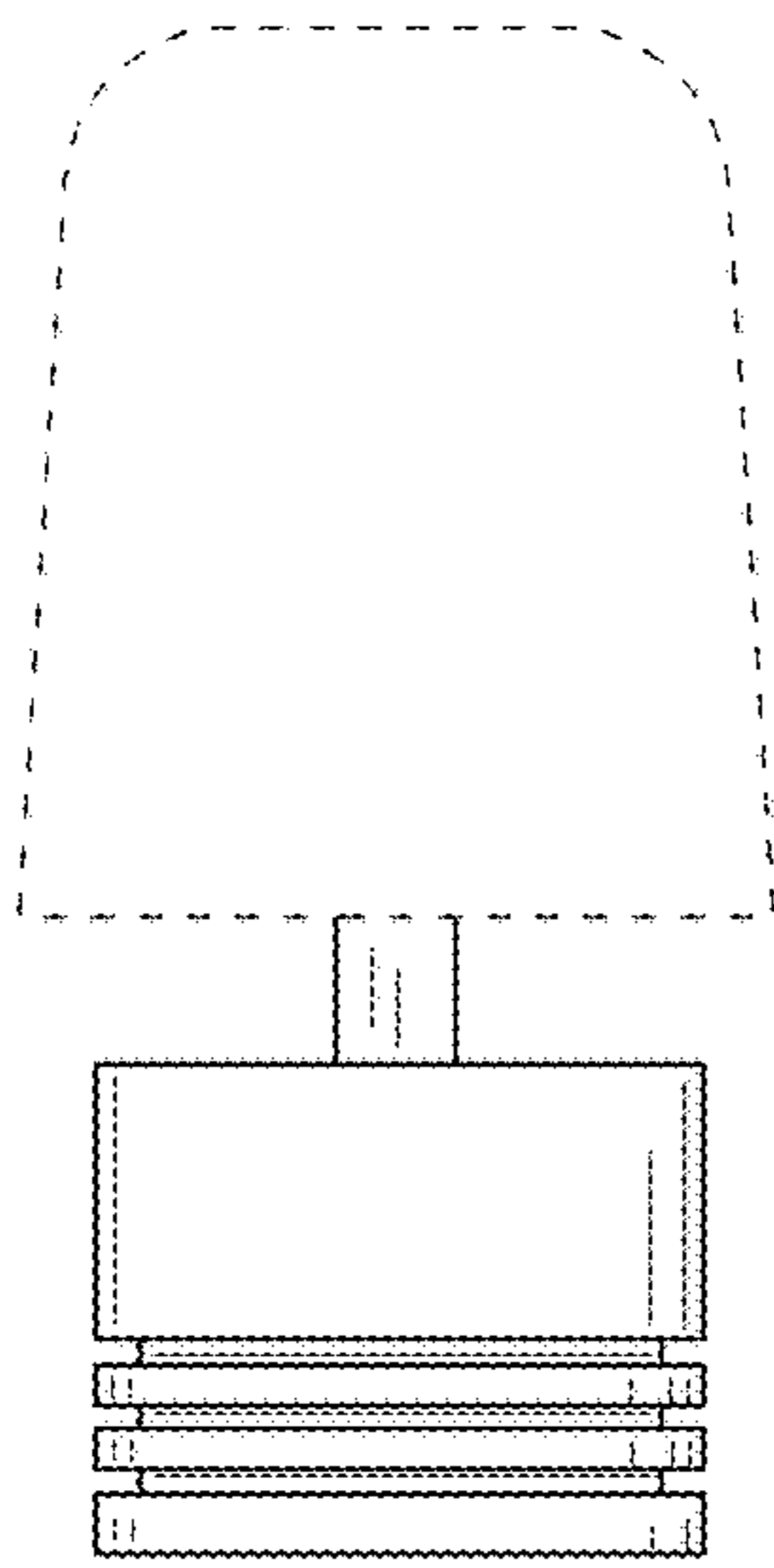




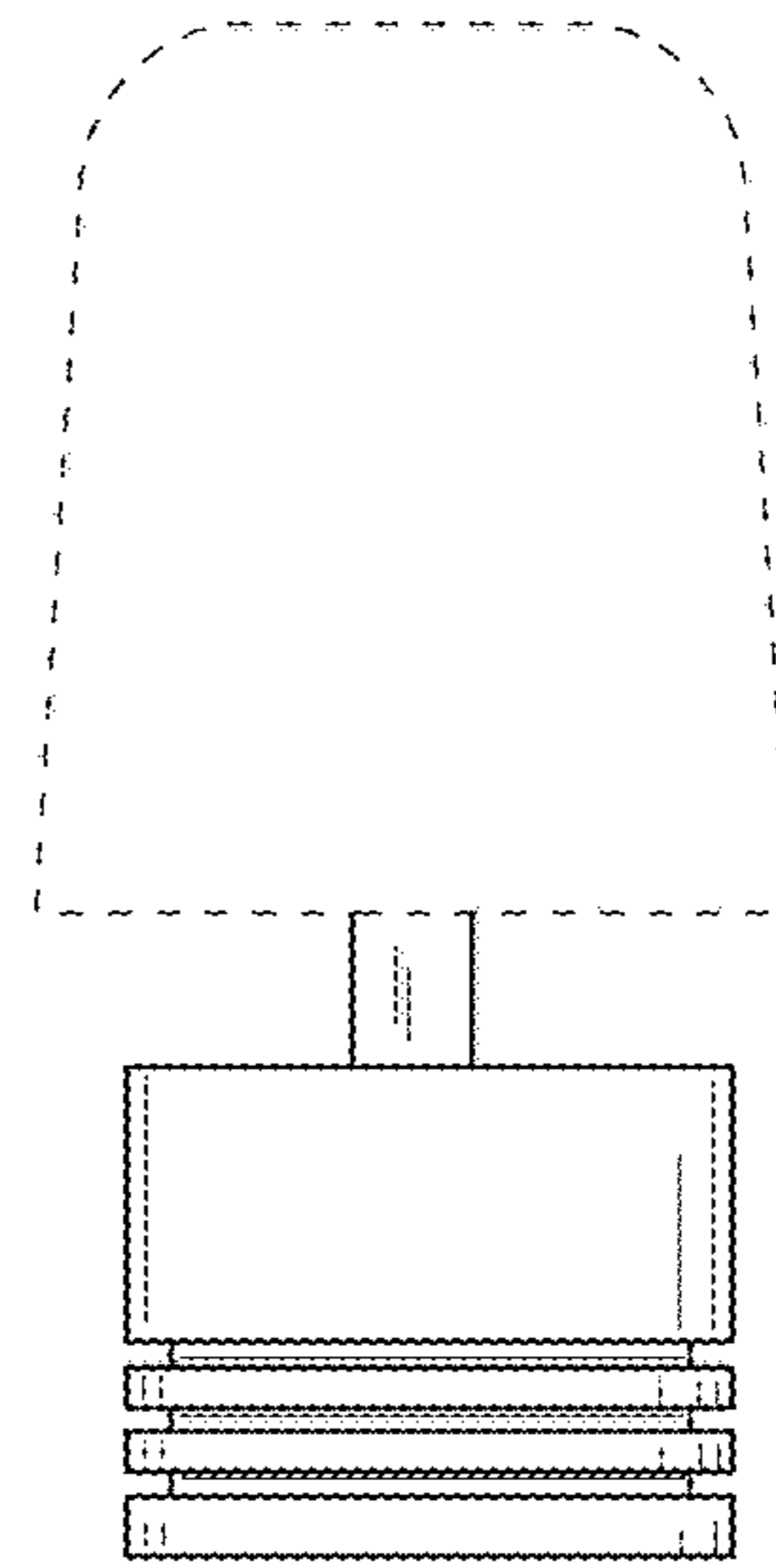
**FIG. 11**



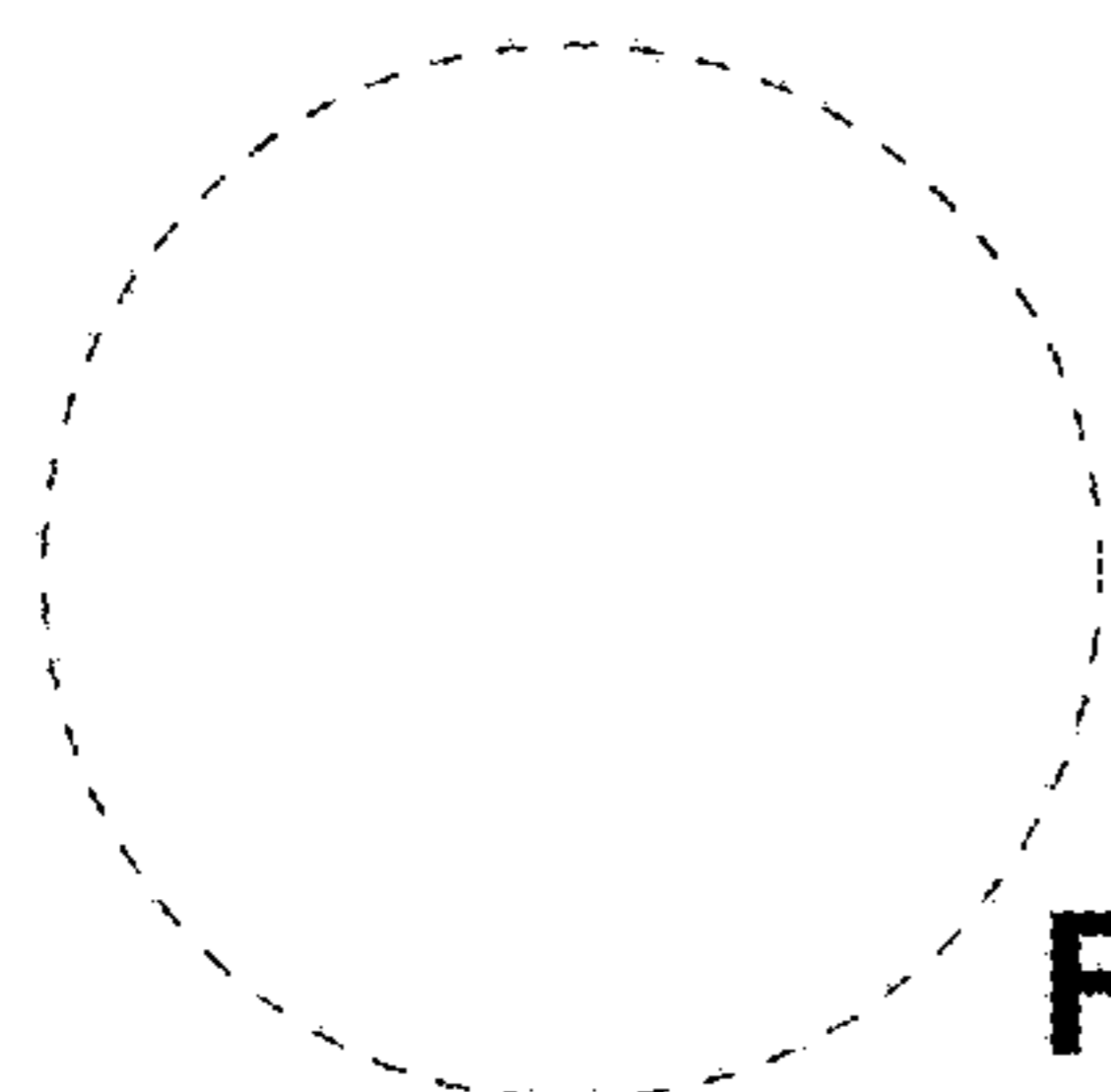
**FIG. 12**



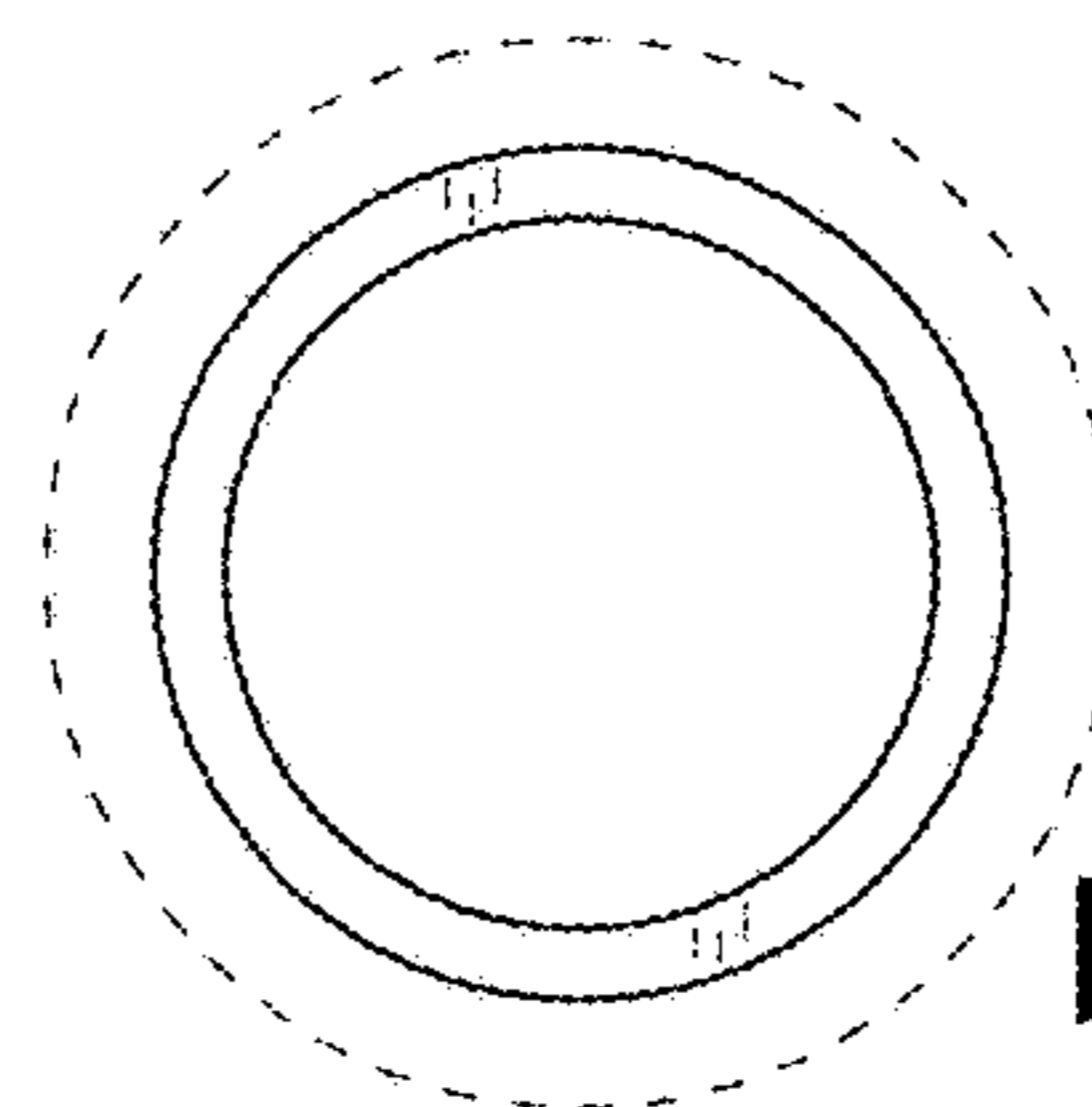
**FIG. 13**



**FIG. 14**



**FIG. 15**



**FIG. 16**