

US00D810270S

(12) **United States Design Patent** (10) **Patent No.:** **US D810,270 S**
Wang (45) **Date of Patent:** **** Feb. 13, 2018**

(54) **CEILING FAN MOTOR HOUSING**
(71) Applicant: **YOUNGO LIMITED**, Hong Kong (CN)
(72) Inventor: **Cliff Wang**, Taichung (TW)
(73) Assignee: **YOUNGO LIMITED**, Hong Kong (CN)

D708,315 S * 7/2014 Wang D23/377
D715,917 S * 10/2014 Hidalgo D23/377
D744,634 S * 12/2015 Wang D23/411
D745,959 S * 12/2015 Ertze D23/411
D771,787 S * 11/2016 Wang D23/380
D771,794 S * 11/2016 Wang D23/411
D771,795 S * 11/2016 Wang D23/411
D771,796 S * 11/2016 Wang D23/377

(Continued)

(**) Term: **15 Years**
(21) Appl. No.: **29/554,022**
(22) Filed: **Feb. 6, 2016**
(51) **LOC (11) Cl.** **23-04**
(52) **U.S. Cl.**
USPC **D23/411**
(58) **Field of Classification Search**
USPC D23/377, 411, 413, 370-376, 378-379,
D23/381-385, 412, 414
CPC F04D 25/088
See application file for complete search history.

OTHER PUBLICATIONS

Emerson Ceiling Fan with 60" Loft 3 Blade in Brushed Steel, date first available Apr. 14, 2015, amazon.com, site visited Jun. 17, 2017, Copyright © 1996-2017, Available from Internet, https://www.amazon.com/Emerson-Ceiling-Brushed-Outdoor-Environment/dp/B00W3WZ102/ref=sr_1_3?ie=UTF8&qid=1497705397&sr=8-3&keywords=emerson.*

Primary Examiner — Cathron C Brooks
Assistant Examiner — Sharon S Oum
(74) *Attorney, Agent, or Firm* — Pai Patent & Trademark Law Firm; Chao-Chang David Pai

(56) **References Cited**

U.S. PATENT DOCUMENTS

D292,313 S * 10/1987 Kawai D23/377
D297,974 S * 10/1988 Sonneman D23/377
D314,618 S * 2/1991 Yen D23/377
D328,491 S * 8/1992 Markwardt D23/377
D328,785 S * 8/1992 Markwardt D23/377
D329,087 S * 9/1992 Markwardt D23/377
D344,129 S * 2/1994 Markwardt D23/377
D453,216 S * 1/2002 Gajewski D23/377
D523,952 S * 6/2006 Ertze D23/411
D526,715 S * 8/2006 Glasbrenner D23/411
D529,602 S * 10/2006 Glasbrenner D23/411
D603,955 S * 11/2009 Patton D23/411
D627,456 S * 11/2010 Glasbrenner D23/411
D627,873 S * 11/2010 Pan D23/411
D627,874 S * 11/2010 Pan D23/411
D632,384 S * 2/2011 Pan D23/411
D705,921 S * 5/2014 Wang D23/385

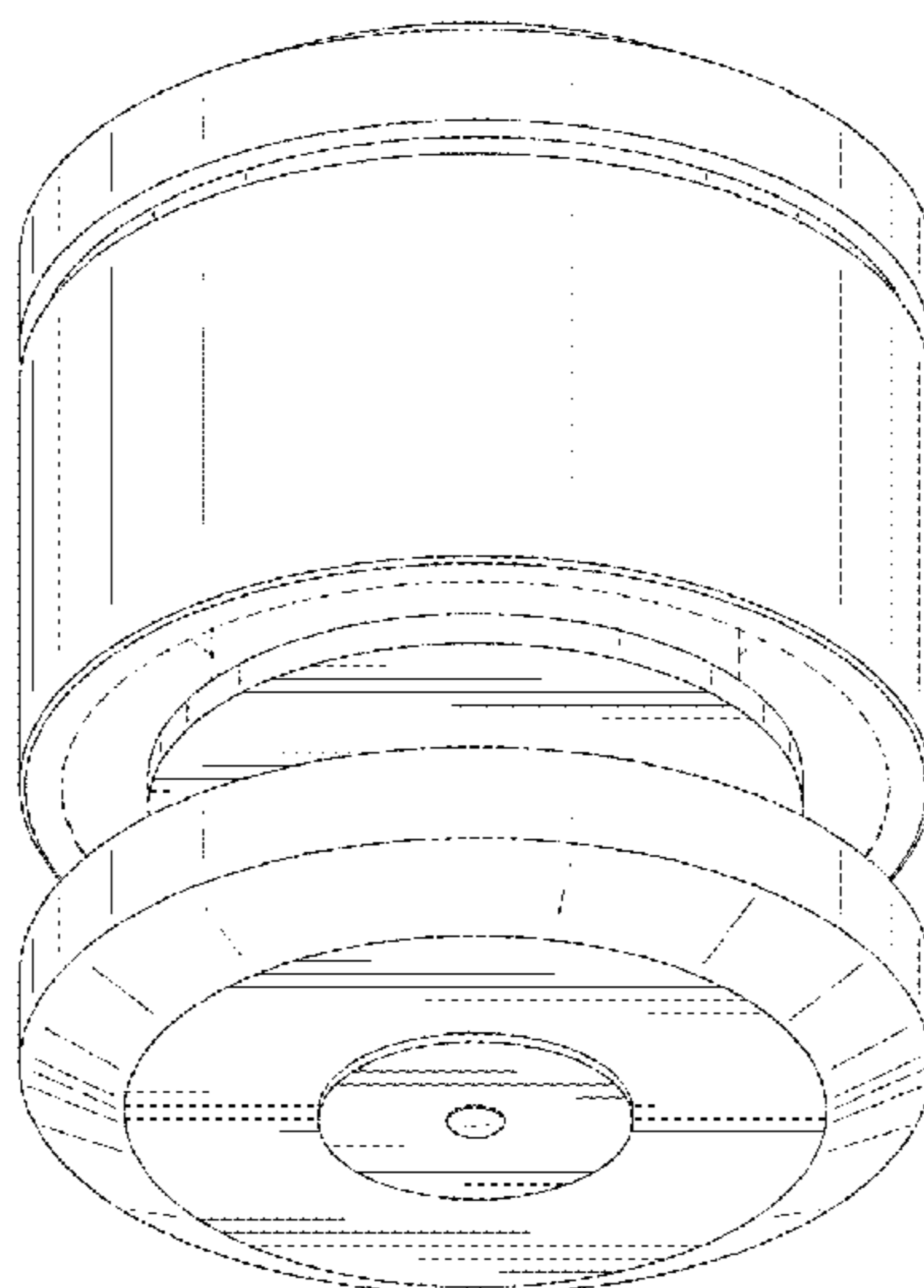
(57) **CLAIM**

The ornamental design for a ceiling fan motor housing, as shown and described.

DESCRIPTION

FIG. 1 is a front top perspective view of a ceiling fan motor housing showing my new design;
FIG. 2 is a front elevational view thereof;
FIG. 3 is a rear elevational view thereof;
FIG. 4 is a left side elevational view thereof;
FIG. 5 is a right side elevational view thereof;
FIG. 6 is a top plan view thereof;
FIG. 7 is a bottom plan view thereof; and,
FIG. 8 is a front bottom perspective view thereof.
The broken lines are for the purpose of illustrating environmental structure and form no part of the claimed design.

1 Claim, 5 Drawing Sheets



(56)

References Cited

U.S. PATENT DOCUMENTS

D772,393 S *	11/2016	Wang	D23/377
D773,634 S *	12/2016	Wang	D23/385
D782,644 S *	3/2017	Wang	D23/377
D785,157 S *	4/2017	Wang	D23/377
2016/0131152 A1 *	5/2016	Wang	F04D 29/34 416/214 R

* cited by examiner

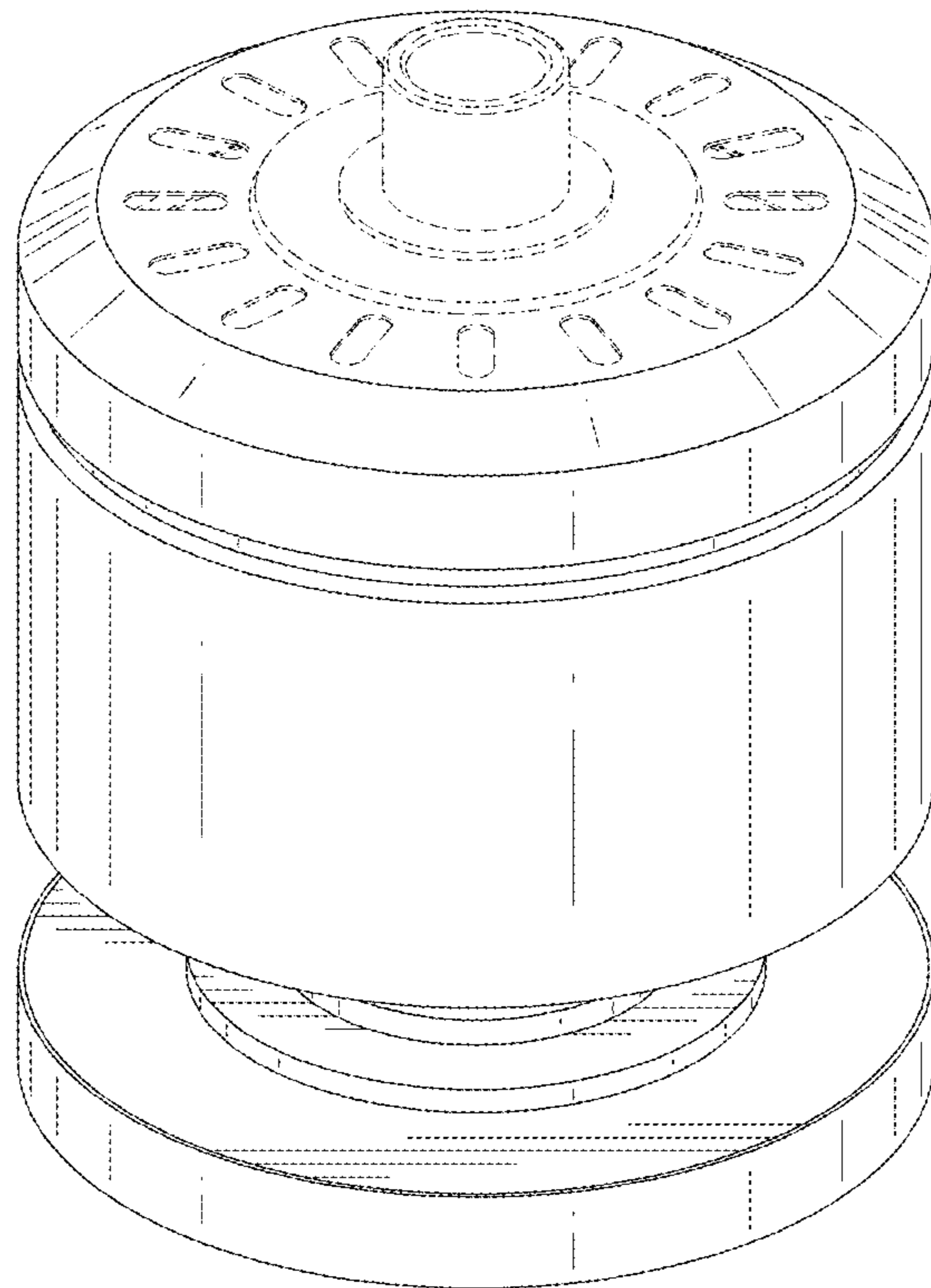


FIG. 1

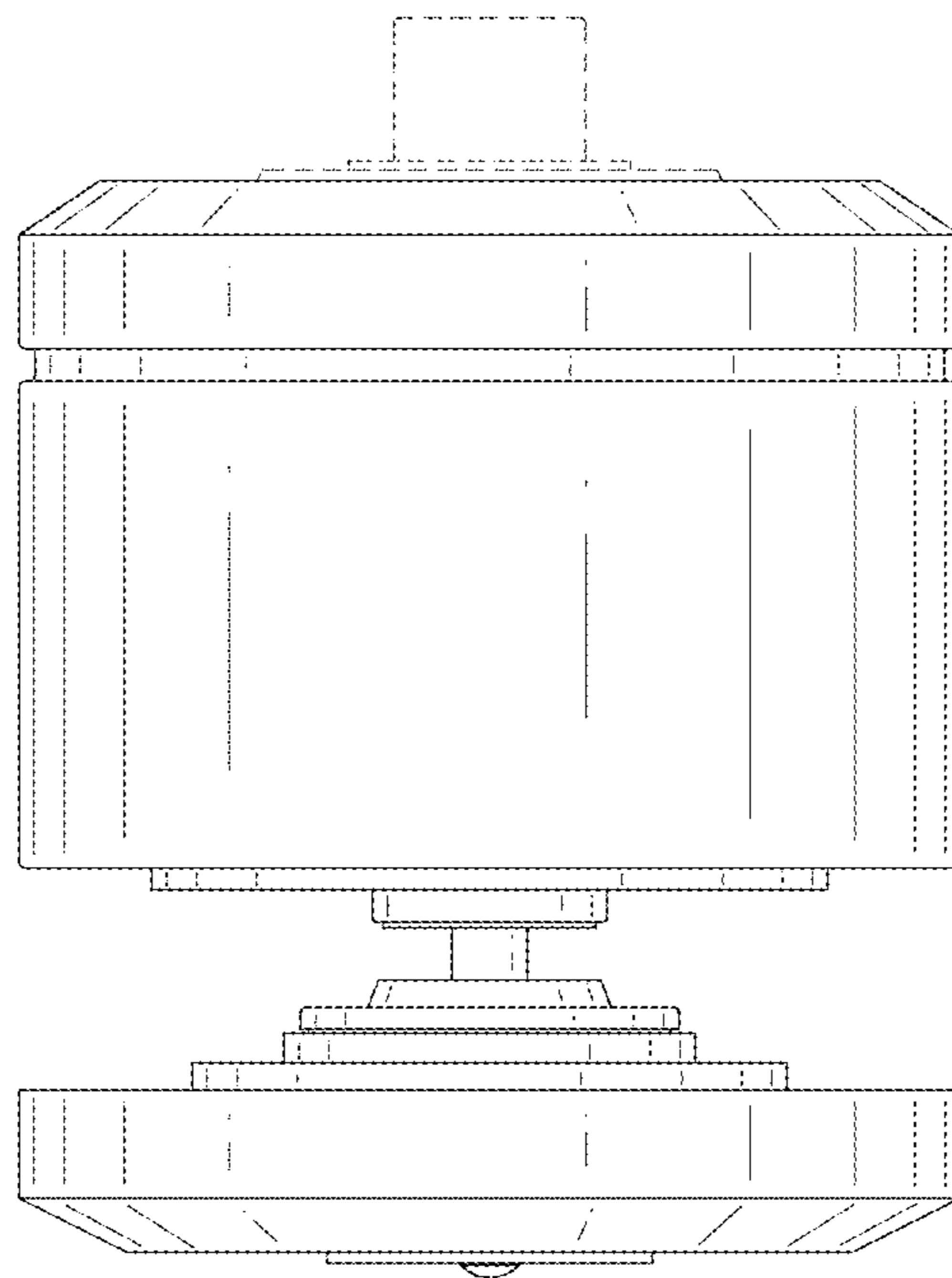


FIG. 2

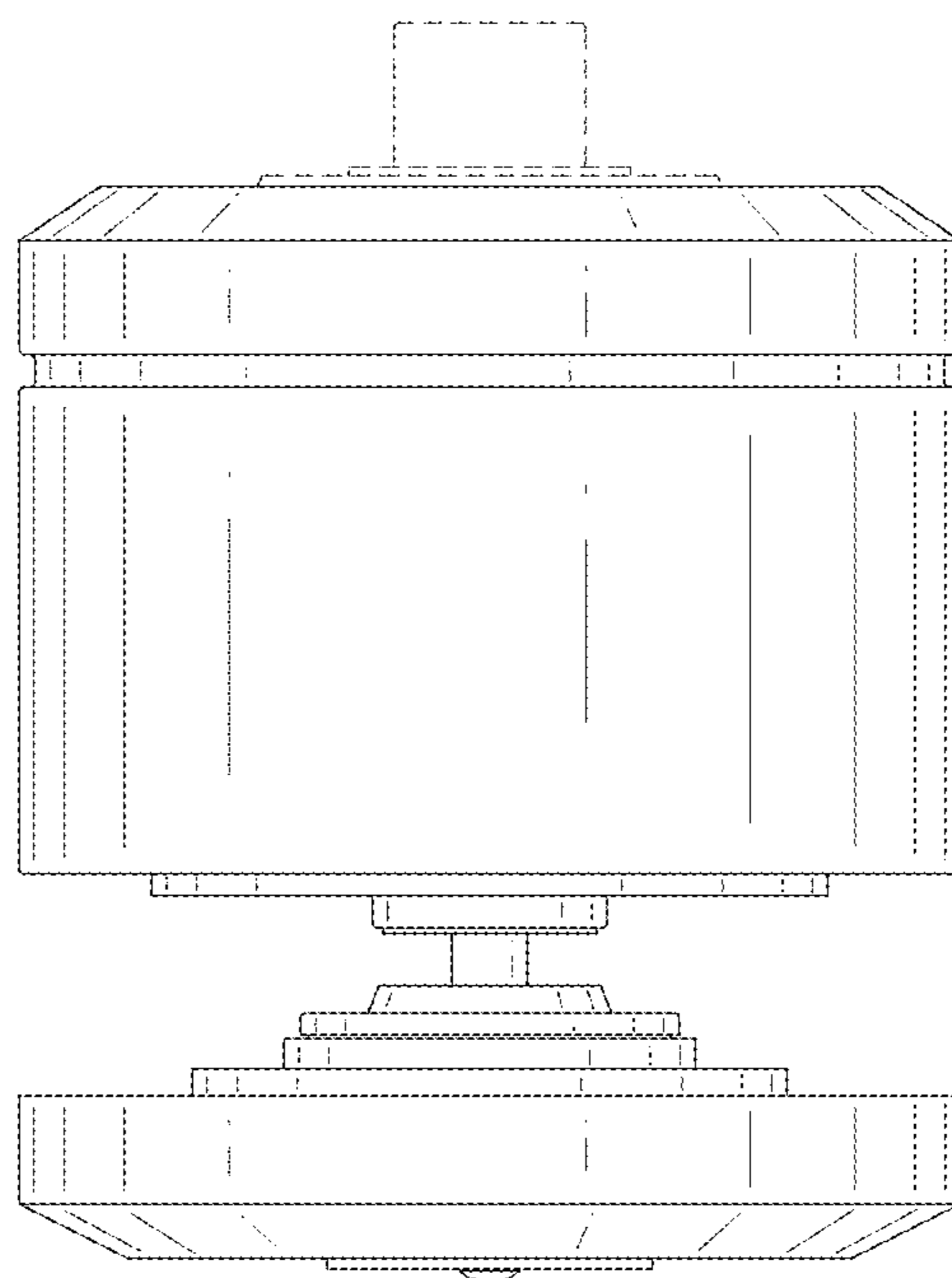


FIG. 3

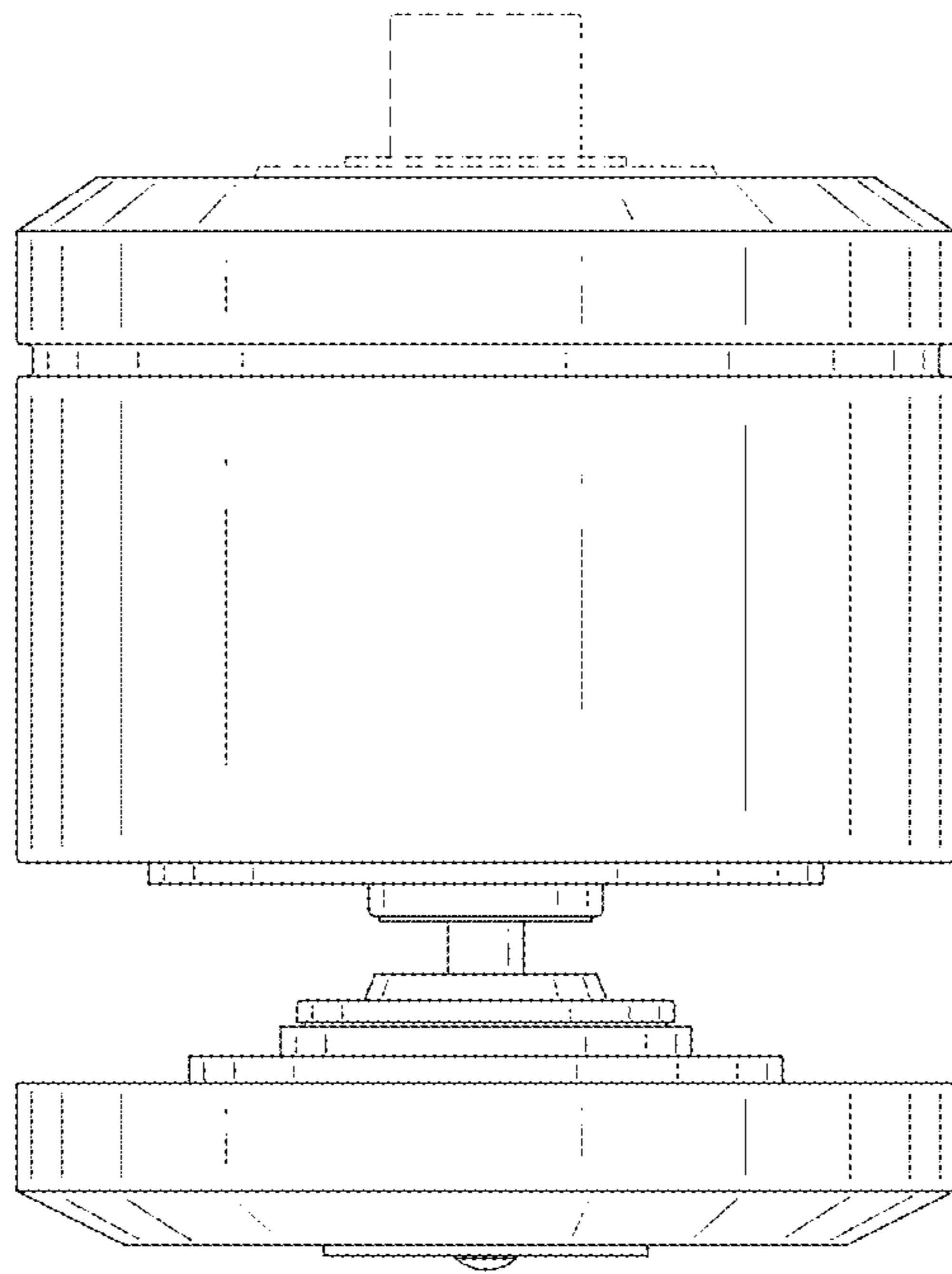


FIG. 4

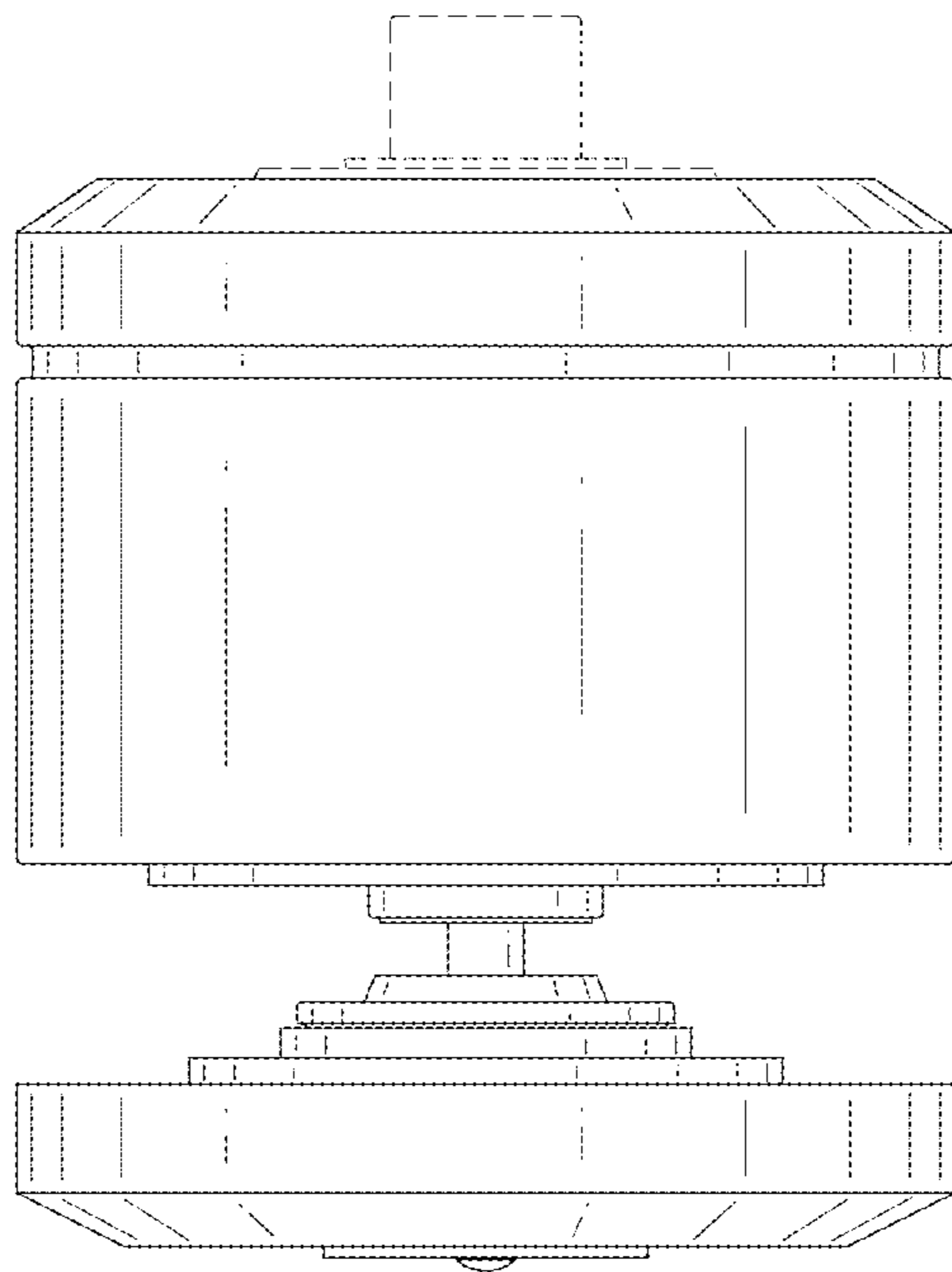


FIG. 5

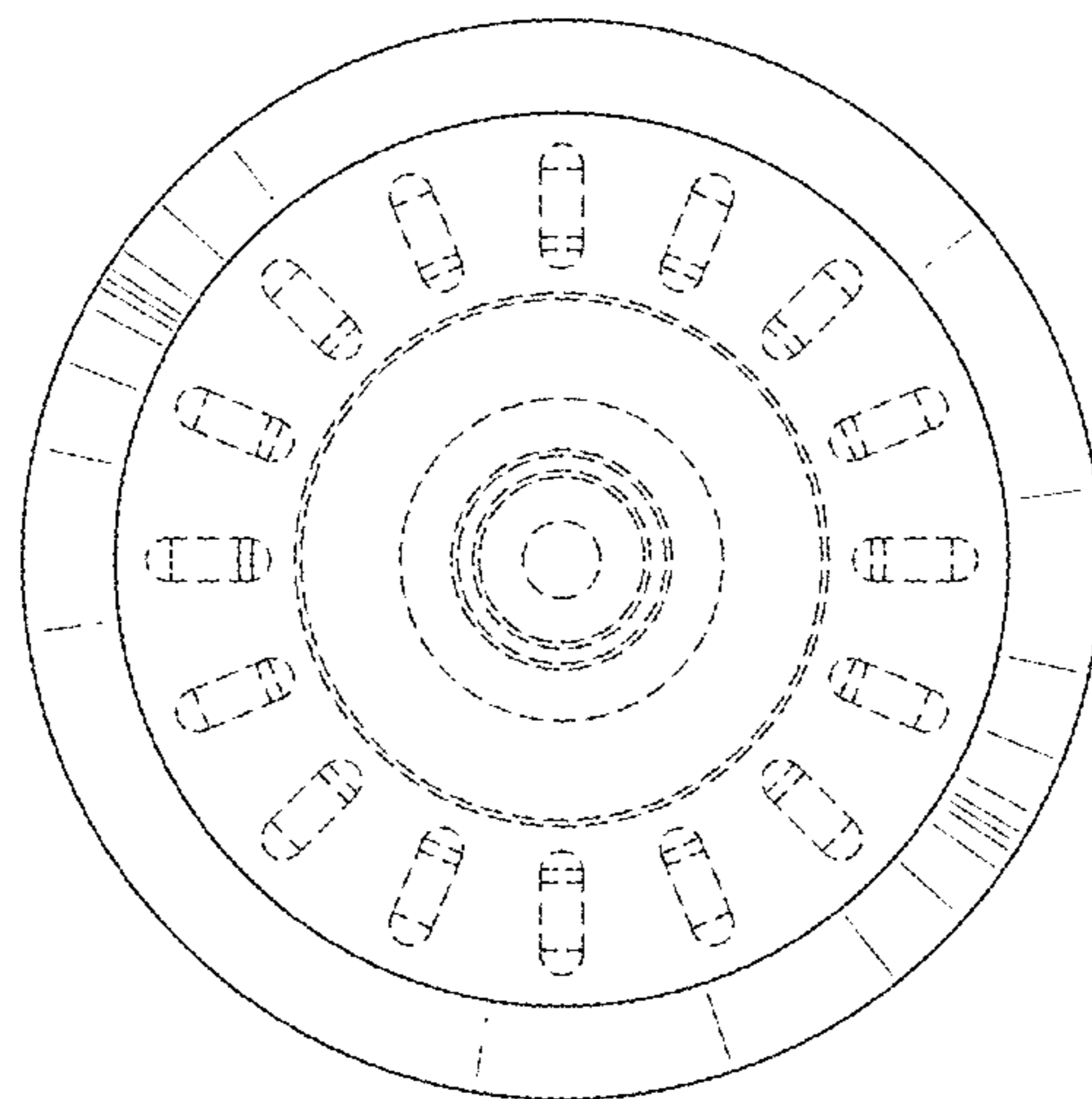


FIG. 6

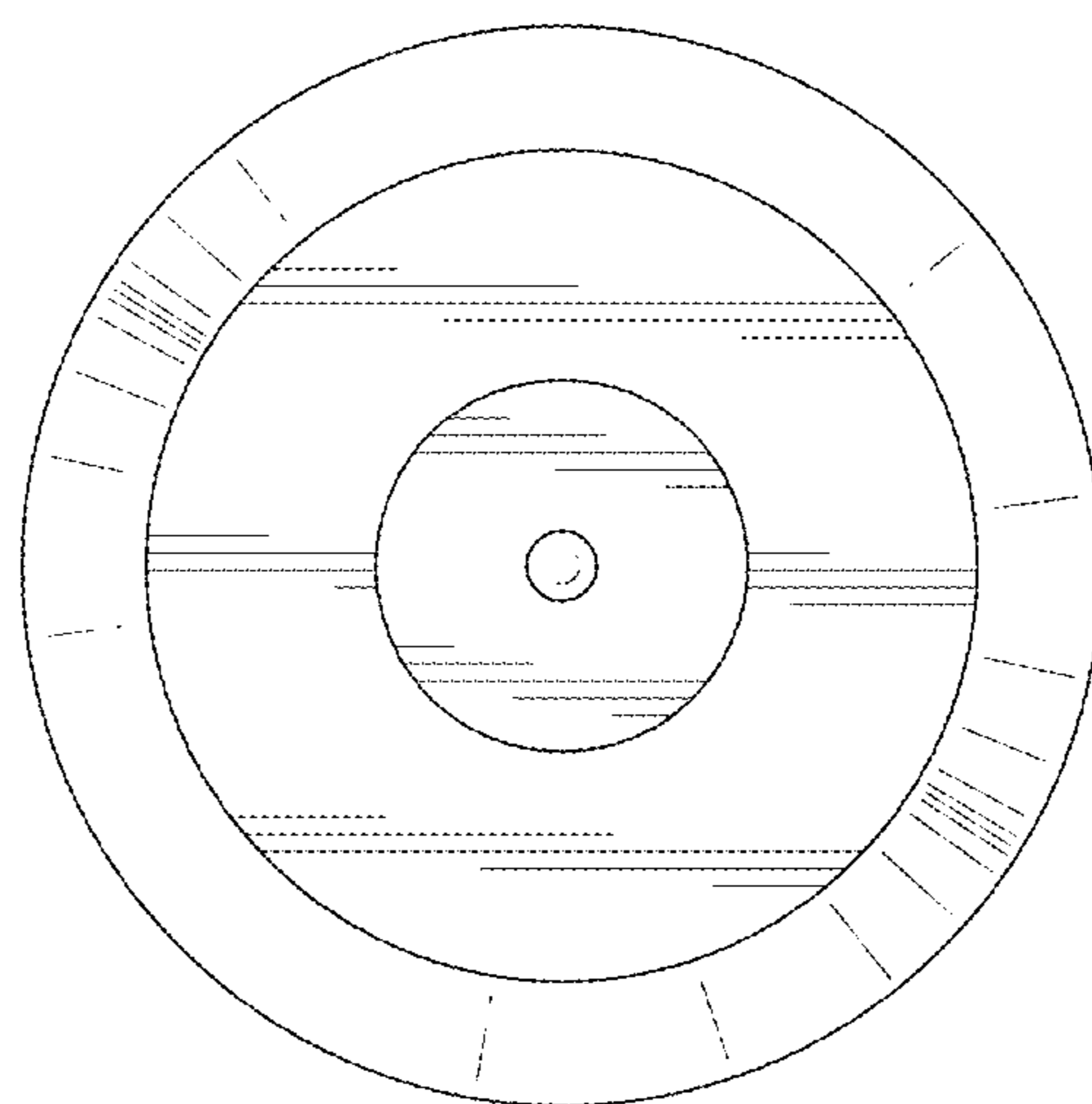


FIG. 7

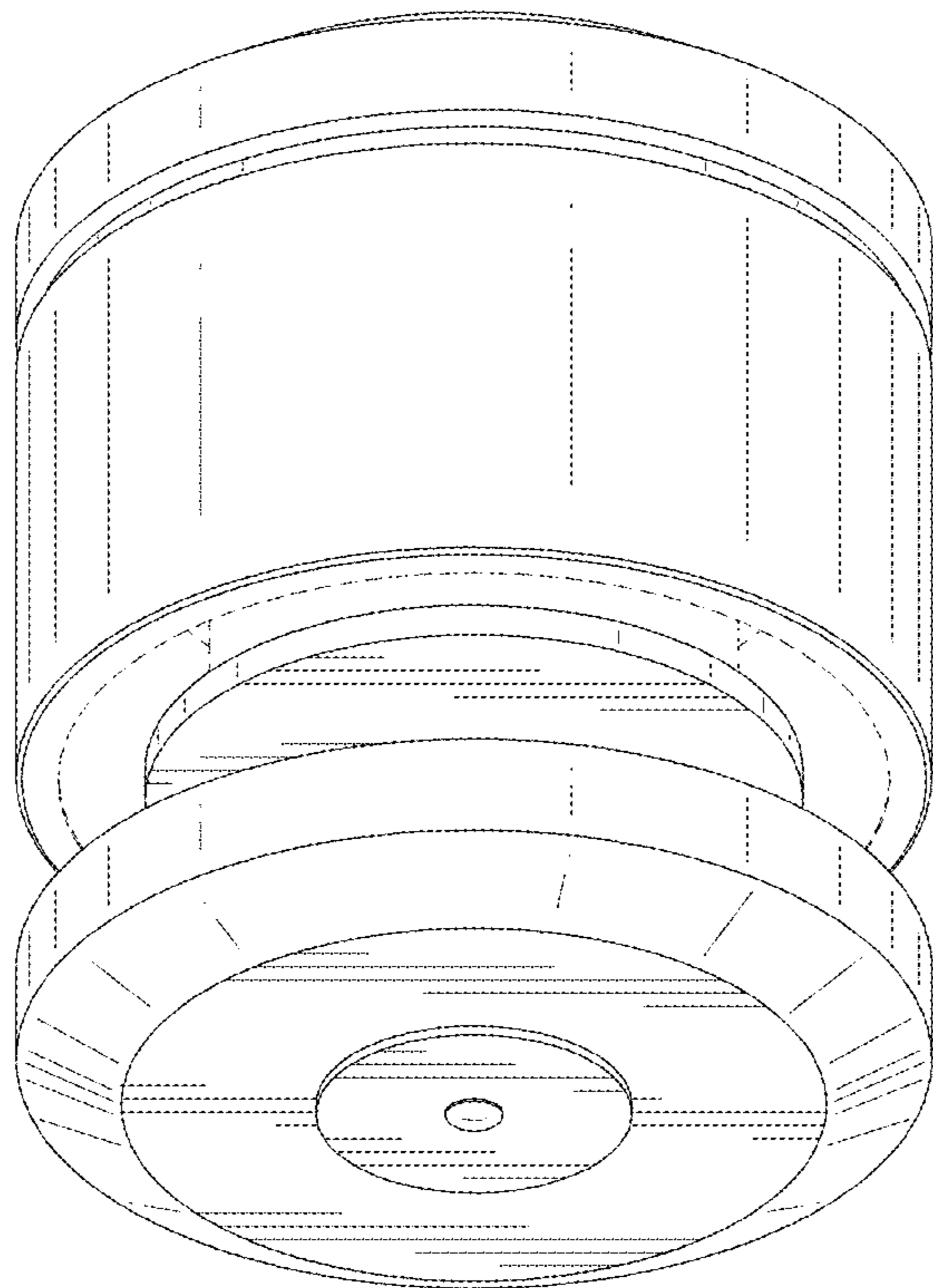


FIG. 8