



US00D810269S

(12) **United States Design Patent**
Sanders et al.

(10) **Patent No.:** **US D810,269 S**
(45) **Date of Patent:** **** Feb. 13, 2018**

(54) **AIR MOVER**

D704,908 S * 5/2014 Cui D32/15
D733,981 S * 7/2015 Sechere D32/8
9,121,638 B2 * 9/2015 Black F26B 21/004
(Continued)

(71) Applicant: **Emerson Electric Co.**, St. Louis, MO
(US)

(72) Inventors: **Jeremy Sanders**, St. Louis, MO (US);
Douglas C. Schultz, Glen Carbon, IL
(US)

FOREIGN PATENT DOCUMENTS

CN 303218936 S 5/2015

(73) Assignee: **Emerson Electric Co.**, St. Louis, MO
(US)

OTHER PUBLICATIONS

XPower 700 CFM Multi-Purpose Blower Fan, The Home Depot,
available at <http://www.homedepot.com/p/XPOWER-700-CFM-Multi-Purpose-Blower-Fan-P-130A/206879797> (accessed Dec. 8,
2016).

(**) Term: **15 Years**

(Continued)

(21) Appl. No.: **29/591,536**

(22) Filed: **Jan. 20, 2017**

(51) **LOC (11) Cl.** **23-04**

(52) **U.S. Cl.**
USPC **D23/383**; D32/15

Primary Examiner — Michael A. Pratt

Assistant Examiner — Michelle E Wilson

(74) *Attorney, Agent, or Firm* — Armstrong Teasdale LLP

(58) **Field of Classification Search**
USPC D32/15, 16; D23/370–385, 411–414,
D23/365, 364

CPC F26B 21/001; F04D 25/084; A47L 5/22;
B01D 21/0039; B01D 21/0042

See application file for complete search history.

(57) **CLAIM**

We claim the ornamental design for an air mover, as shown
and described.

(56) **References Cited**

DESCRIPTION

U.S. PATENT DOCUMENTS

5,174,048 A * 12/1992 Shero F26B 21/001
34/444
D340,326 S * 10/1993 Genovese D32/15
5,265,895 A * 11/1993 Barrett A47L 5/22
280/47.24
D361,414 S 8/1995 Trautloff et al.
D417,044 S 11/1999 Ohi et al.
D422,351 S * 4/2000 Griffin D23/383
D517,677 S 3/2006 Bartholmey
D530,002 S * 10/2006 Ching D23/317
D532,897 S * 11/2006 Yoshida D23/383
D596,283 S 7/2009 Martinez et al.
7,785,064 B2 * 8/2010 Bartholmey F04D 25/084
415/1
D698,433 S 1/2014 Tomasiak et al.

FIG. 1 is a front perspective view of an air mover showing
the new design;

FIG. 2 is a front view thereof.

FIG. 3 is a rear view thereof.

FIG. 4 is a right side view thereof.

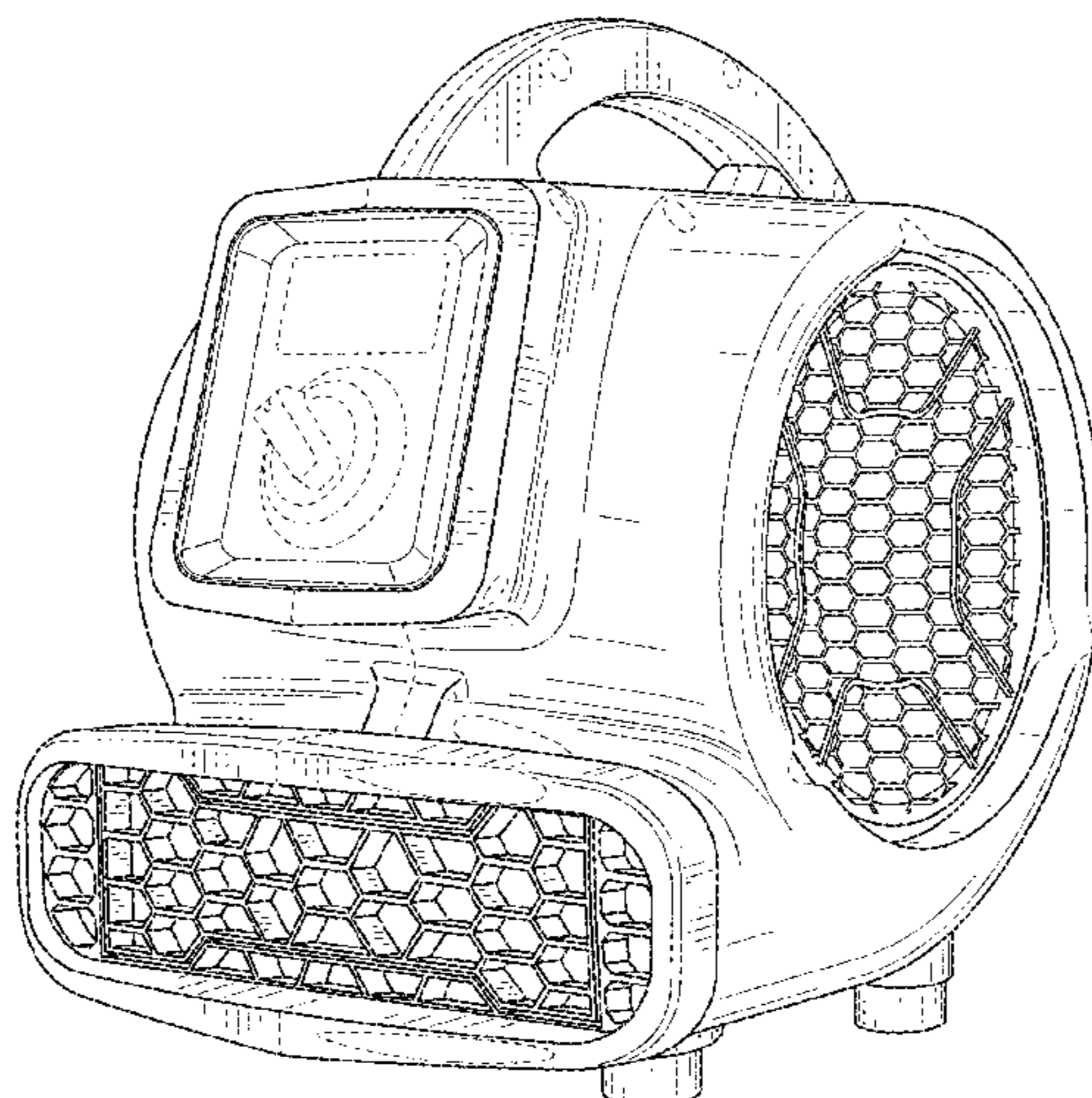
FIG. 5 is a left side view thereof.

FIG. 6 is a top view thereof; and,

FIG. 7 is a bottom view thereof.

The ornamental design which is claimed is shown in solid
lines in the drawings. Broken lines, if present in the draw-
ings, are for illustrative purposes only and form no part of
the claimed design.

1 Claim, 6 Drawing Sheets



(56)

References Cited

U.S. PATENT DOCUMENTS

D751,685 S 3/2016 Wanezaki
D761,950 S * 7/2016 Kulp D23/383

OTHER PUBLICATIONS

XPower 500 CFM Multi-Purpose Blower Fan, The Home Depot,
available at http://www.homedepot.com/p/XPOWER-500-CFM-Multi-Purpose-Blower-Fan-P-100A/206879796?MERCH=REC-__rv__gm__pip__rr__-202942745-__-206879796-__-N (accessed Dec. 8, 2016).

* cited by examiner

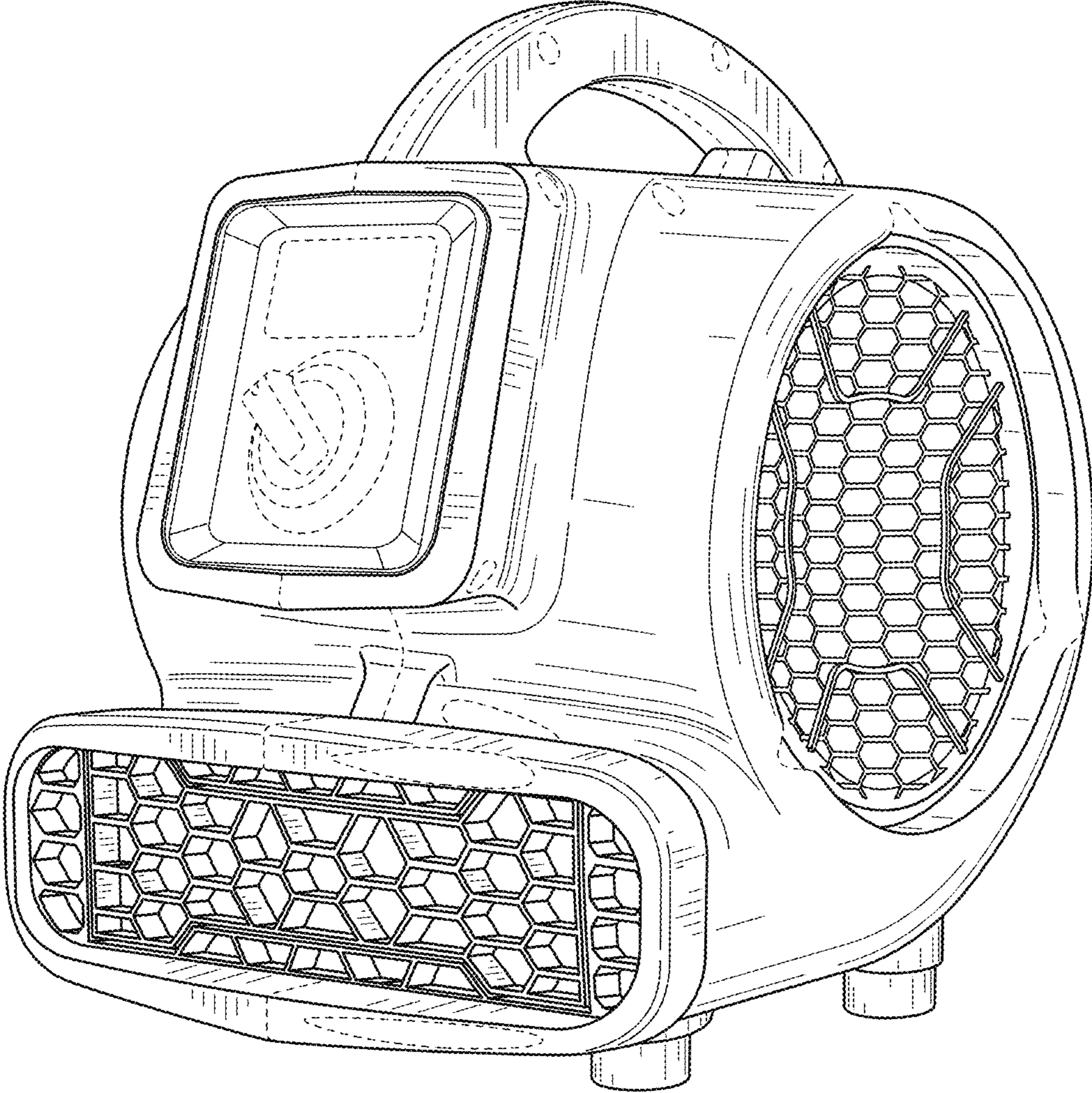


FIG. 1

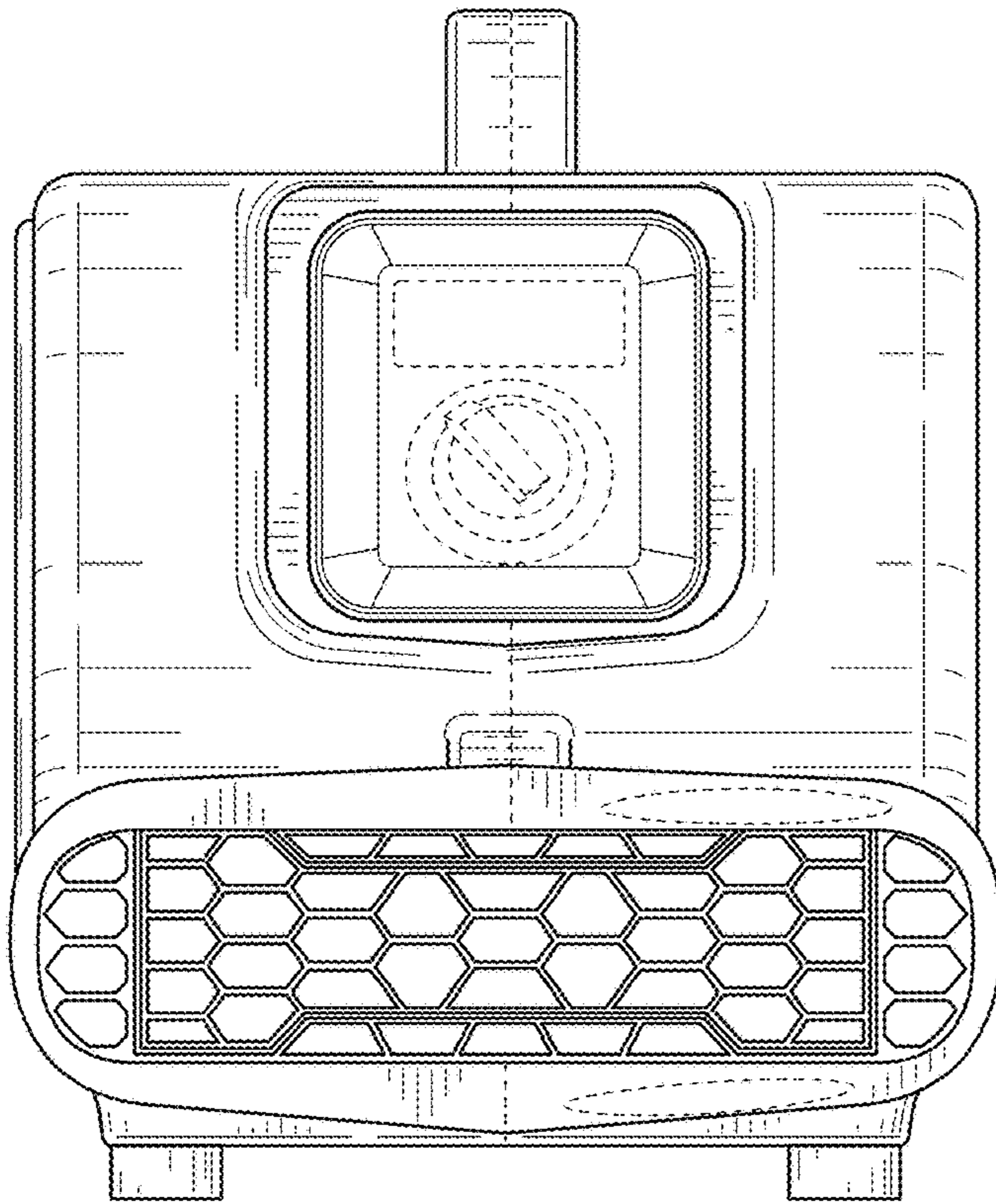


FIG. 2

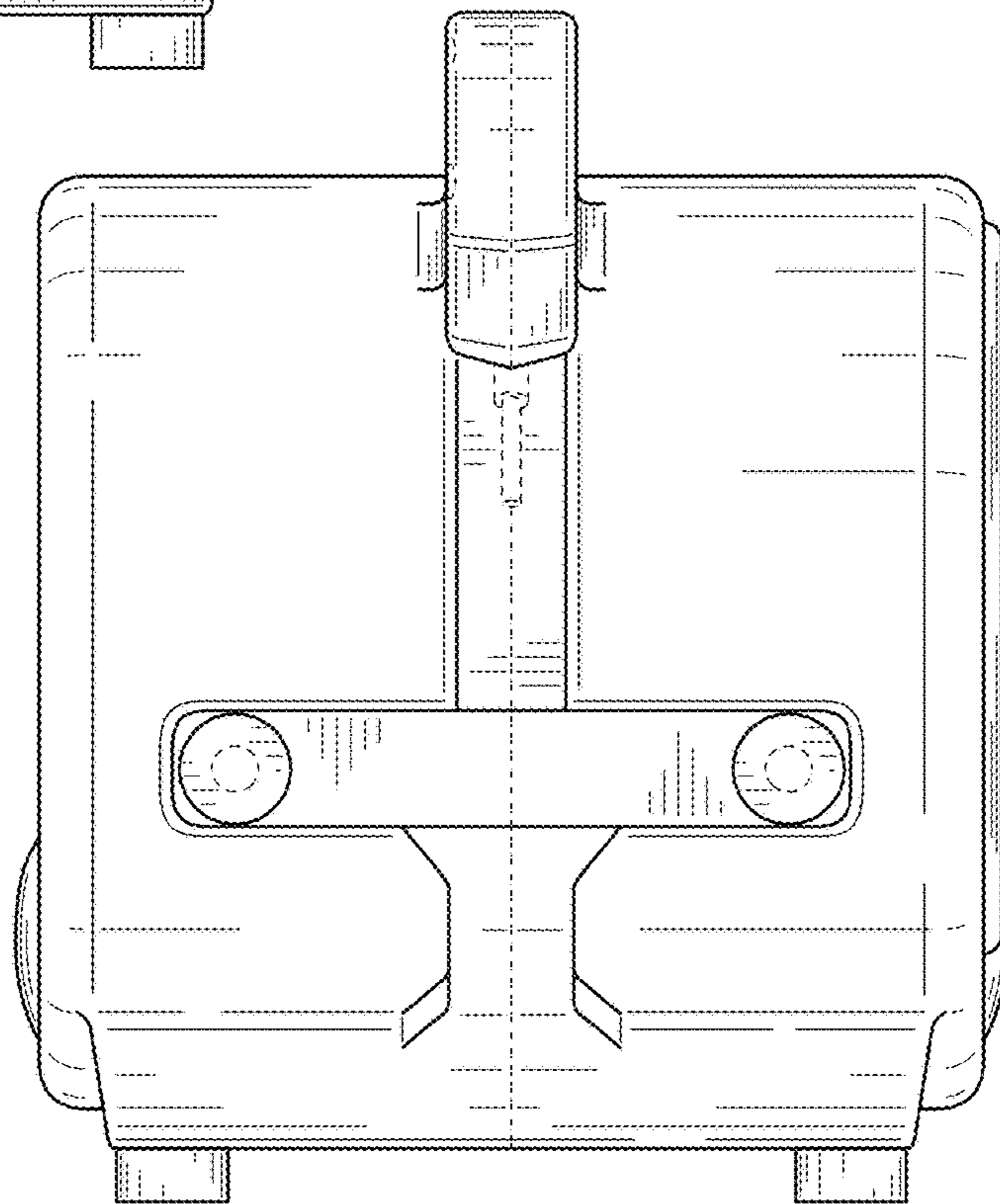


FIG. 3

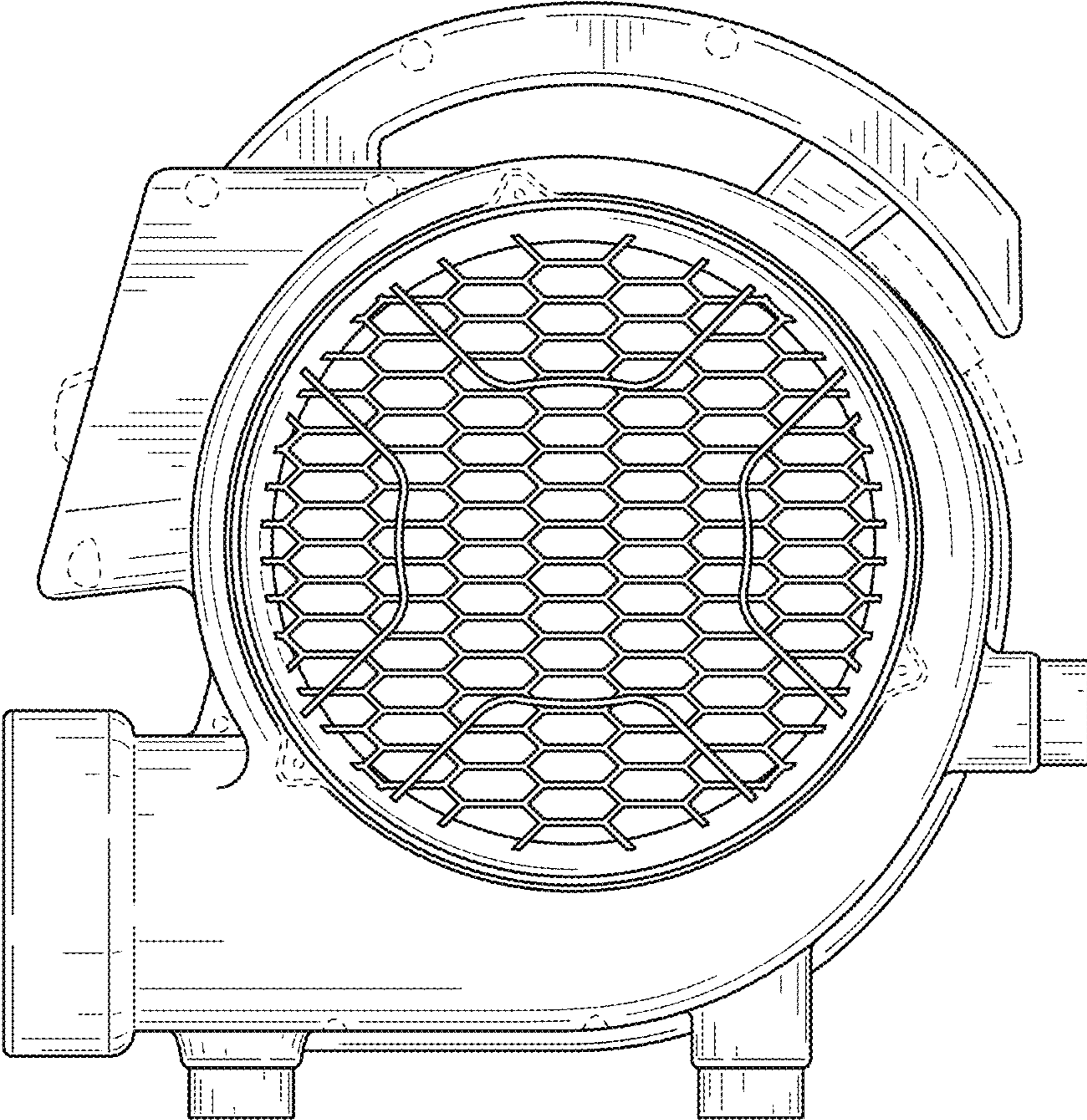


FIG. 4

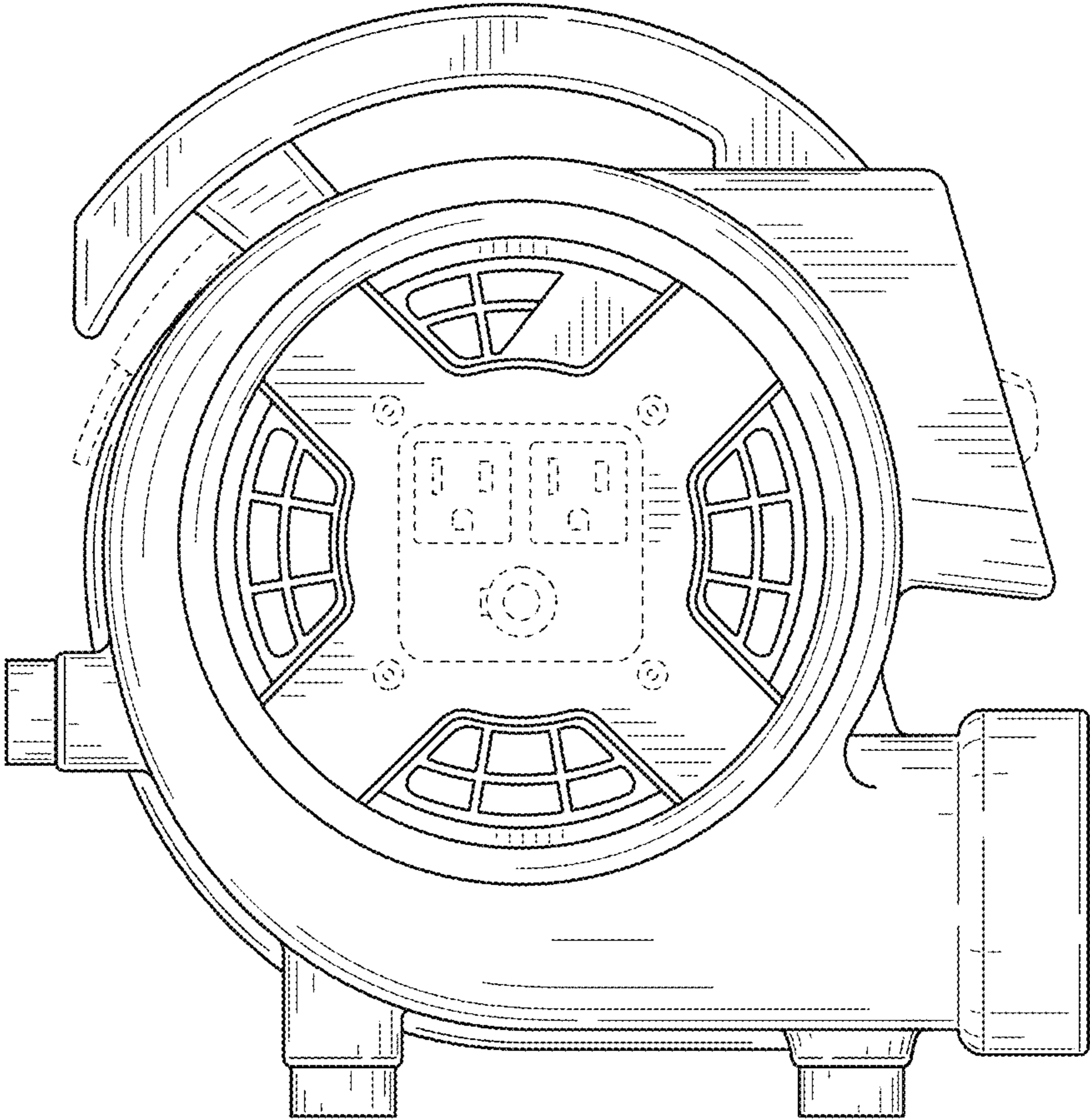


FIG. 5

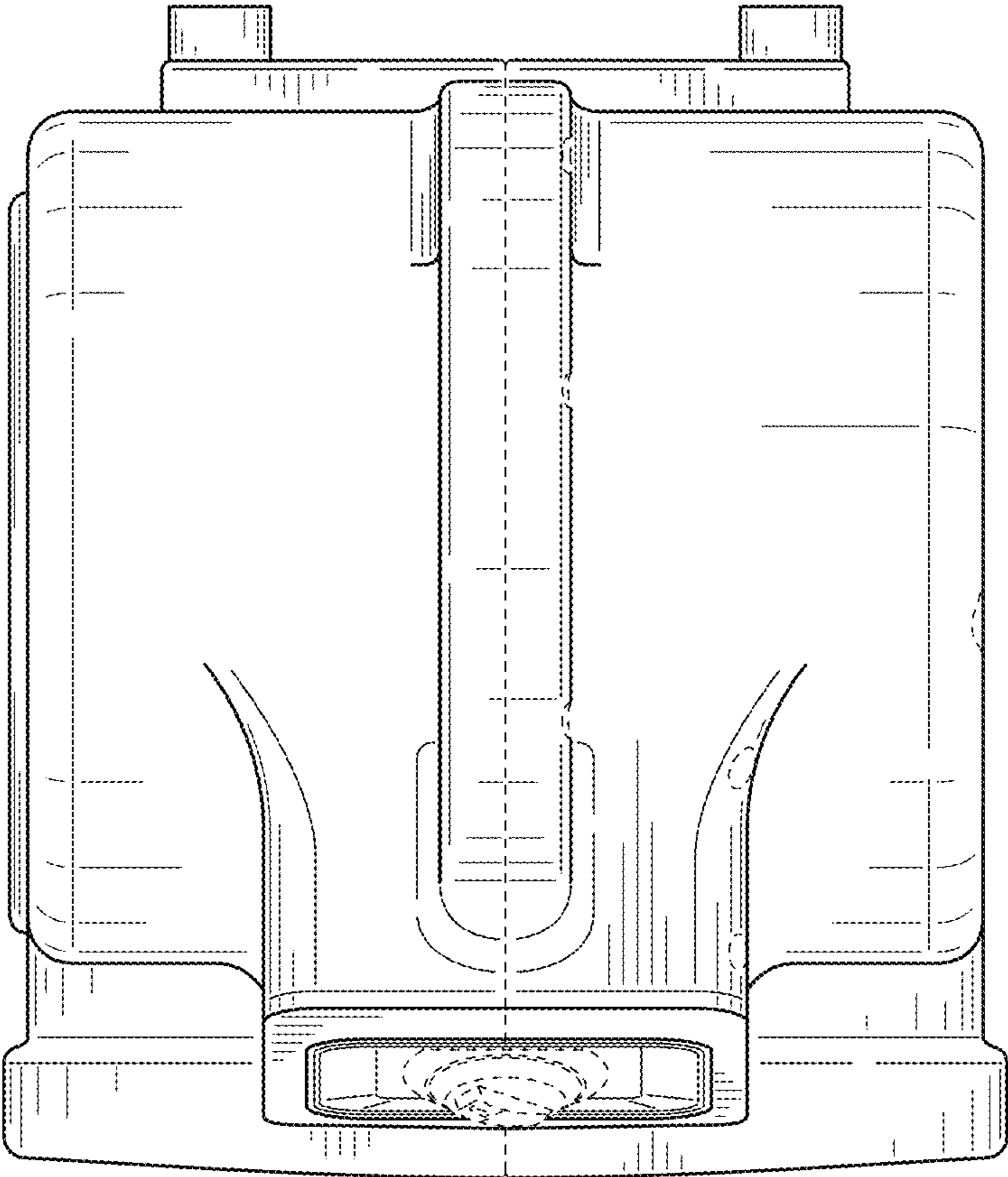


FIG. 6

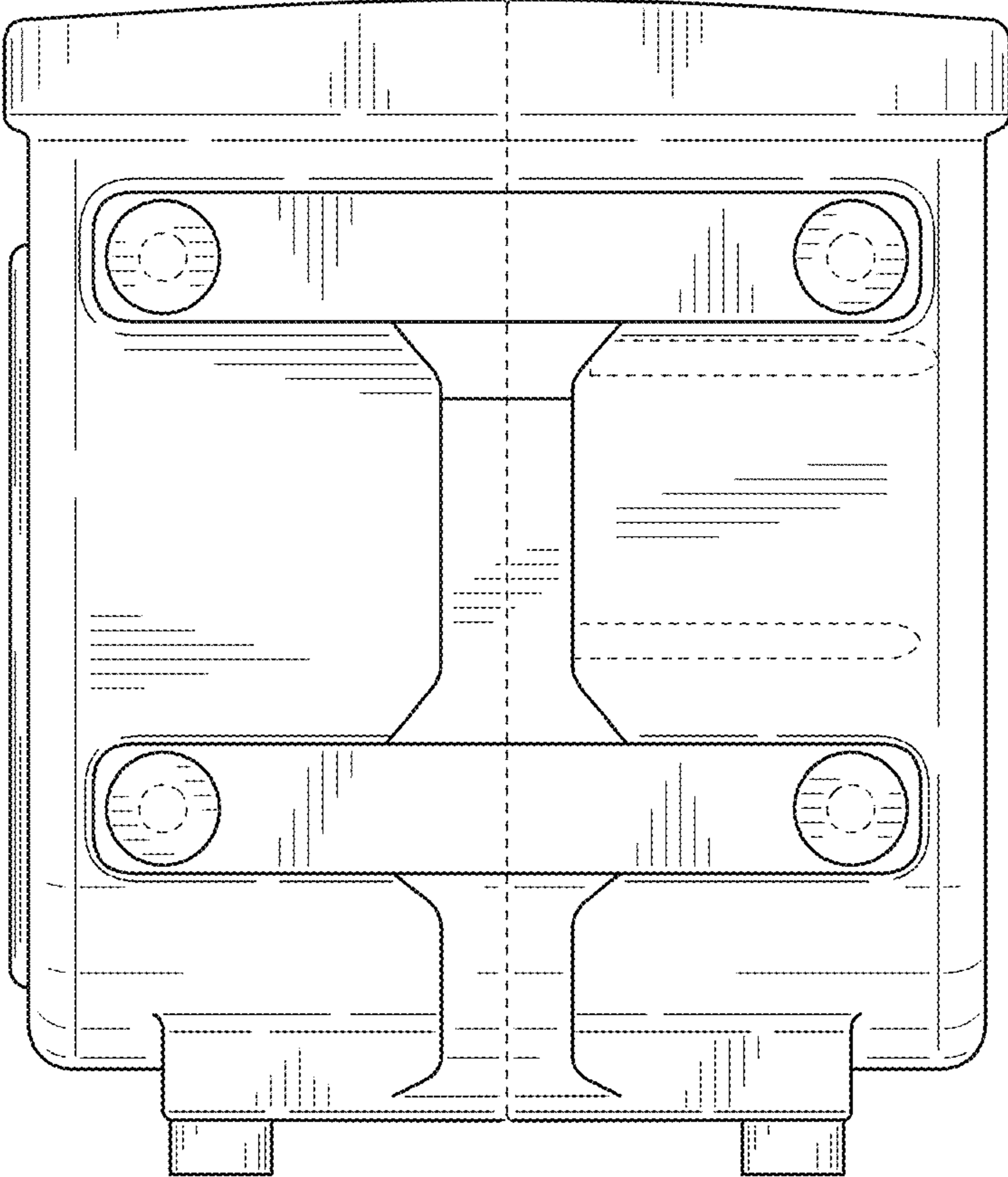


FIG. 7