

US00D810268S

(12) **United States Design Patent** (10) **Patent No.:** **US D810,268 S**
Holmes (45) **Date of Patent:** **** Feb. 13, 2018**

(54) **CEILING FAN**
(71) Applicant: **HUNTER FAN COMPANY,**
Memphis, TN (US)
(72) Inventor: **Christine Holmes,** Memphis, TN (US)
(73) Assignee: **Hunter Fan Company,** Memphis, TN
(US)

D599,460 S * 9/2009 Yang D23/377
D599,493 S * 9/2009 Yang D26/59
D603,035 S * 10/2009 Yang D23/377
D621,498 S 8/2010 Chen
D627,455 S 11/2010 Pan
D714,925 S * 10/2014 Pan D23/377
2011/0286204 A1 * 11/2011 Lord F21V 33/0096
362/147

(**) Term: **15 Years**

(21) Appl. No.: **29/582,202**

(22) Filed: **Oct. 26, 2016**

(51) **LOC (11) Cl.** **23-04**

(52) **U.S. Cl.**
USPC **D23/377; D23/385**

(58) **Field of Classification Search**
USPC D23/370, 377, 379, 385, 411; D26/59
CPC F04D 25/088; F21V 33/0096
See application file for complete search history.

(56) **References Cited**

U.S. PATENT DOCUMENTS

D346,210 S 4/1994 Holbrook
D363,346 S * 10/1995 Wang D23/377
D390,946 S * 2/1998 Schulzman D23/377
D397,199 S 8/1998 Pickett
D399,948 S 10/1998 Tsuji
D418,914 S * 1/2000 Zuege D23/377
D451,593 S 12/2001 Lee
D483,464 S * 12/2003 Tai D23/377
D514,695 S 2/2006 Badarello
D526,406 S 8/2006 Hidalgo
D533,653 S * 12/2006 Hidalgo D23/377
D539,897 S 4/2007 Pickett
D543,618 S 5/2007 Pickett
D551,757 S * 9/2007 Ertze D23/411
D575,863 S * 8/2008 Bucher D23/411

OTHER PUBLICATIONS

<http://www.homedepot.com/p/Hampton-Bay-Ponte-Vecchio-54-in-Natural-Iron-Ceiling-Fan-AC434-NI/100349930>, Item Specification for Ponte Vecchio 54 in. Natural Iron Ceiling Fan, Model # AC434-NI, accessed on Oct. 25, 2016.

<http://ceilingfans.emerson.com/shop/en/fan/devonshire-fan-p-cf670>, Item Specification for Devonshire Ceiling Fan, Model CF670ORB, accessed on Oct. 25, 2016.

(Continued)

Primary Examiner — Janice Hallmark
(74) *Attorney, Agent, or Firm* — McGarry Bair PC

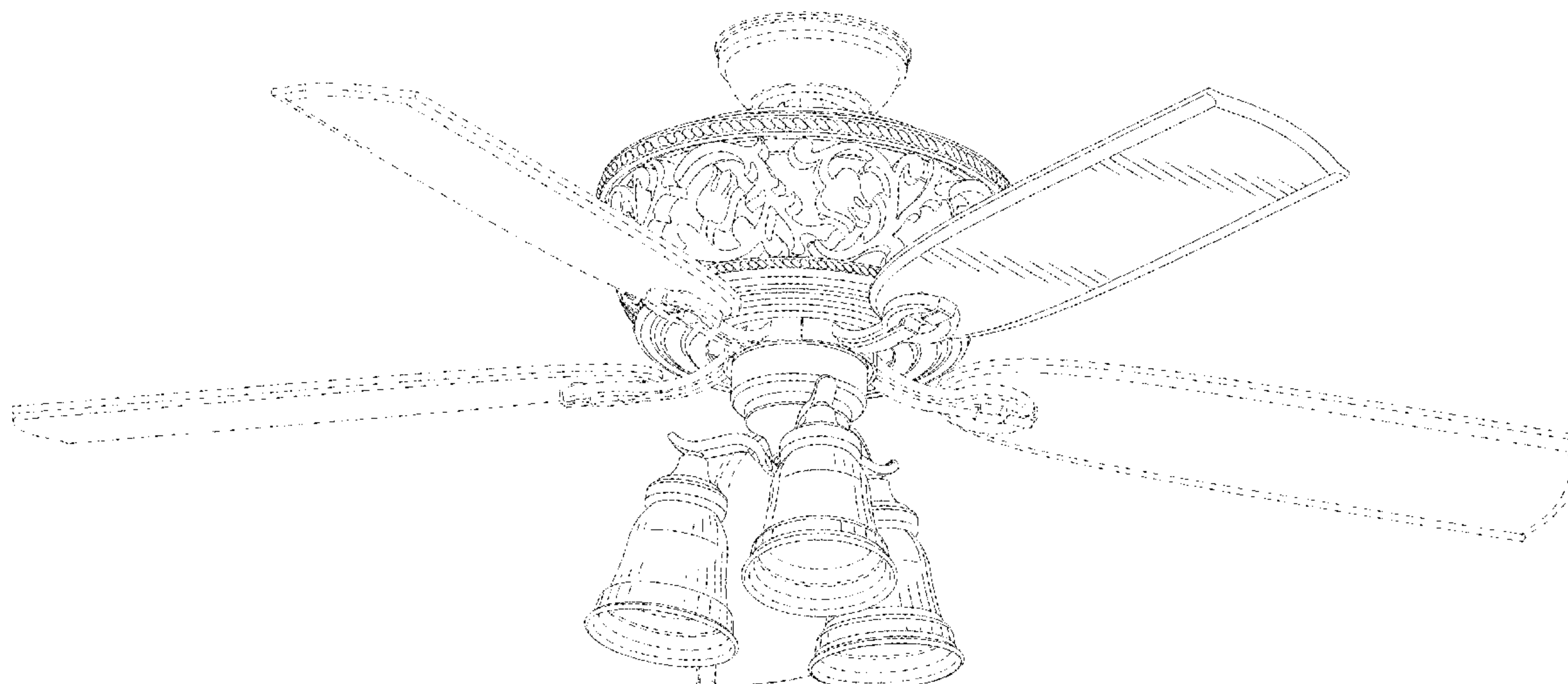
(57) **CLAIM**

The ornamental design for a ceiling fan, as shown and described.

DESCRIPTION

FIG. 1 is a top perspective view of a ceiling fan showing my new design;
FIG. 2 is a bottom perspective view of the ceiling fan of FIG. 1;
FIG. 3 is a top view of the ceiling fan of FIG. 1;
FIG. 4 is a bottom view of the ceiling fan of FIG. 1;
FIG. 5 is a rear side view of the ceiling fan of FIG. 1;
FIG. 6 is a left side view of the ceiling fan of FIG. 1;
FIG. 7 is a front side view of the ceiling fan of FIG. 1; and,
FIG. 8 is a right side view of the ceiling fan of FIG. 1.
Portions of the ceiling fan shown in broken lines form no part of the claimed design.

1 Claim, 6 Drawing Sheets



(56)

References Cited

OTHER PUBLICATIONS

<http://www.minkagroup.net/products/f659-pbl>, Item Specification for Classica Ceiling Fan, Model F659-PBL, accessed on Oct. 25, 2016.

<http://www.minkagroup.net/products/f544-bcw>, Item Specification for Calais Ceiling Fan, Model F544-BCW, accessed on Oct. 25, 2016.

<http://www.hunterfan.com/ceiling-fans/willowcrest>, Item Specification for Willowcrest 54" Ceiling Fan, Model 54016, accessed on Oct. 25, 2016.

<http://www.craftmade.com/Craftmade-RU72AG5-Bronze-Ceiling-Fan.HTM>, Item Specification for Craftmade Rutgers Ceiling Fan, Model RU72AG5, accessed on Oct. 25, 2016.

<http://www.kingoffans.com/#/products/ceilingFans>, Item Specification for Clarington, Model 61373, accessed on Oct. 25, 2016.

<http://www.homedepot.com/p/Hampton-Bay-Waterton-II-52-in-Brushed-Nickel-Ceiling-Fan-AG510-BN/204304644>, Item Specification for Hampton Bay Waterton II 52 in. Brushed Nickel Ceiling Fan, Model AG510-BN, accessed on Oct. 25, 2016.

* cited by examiner

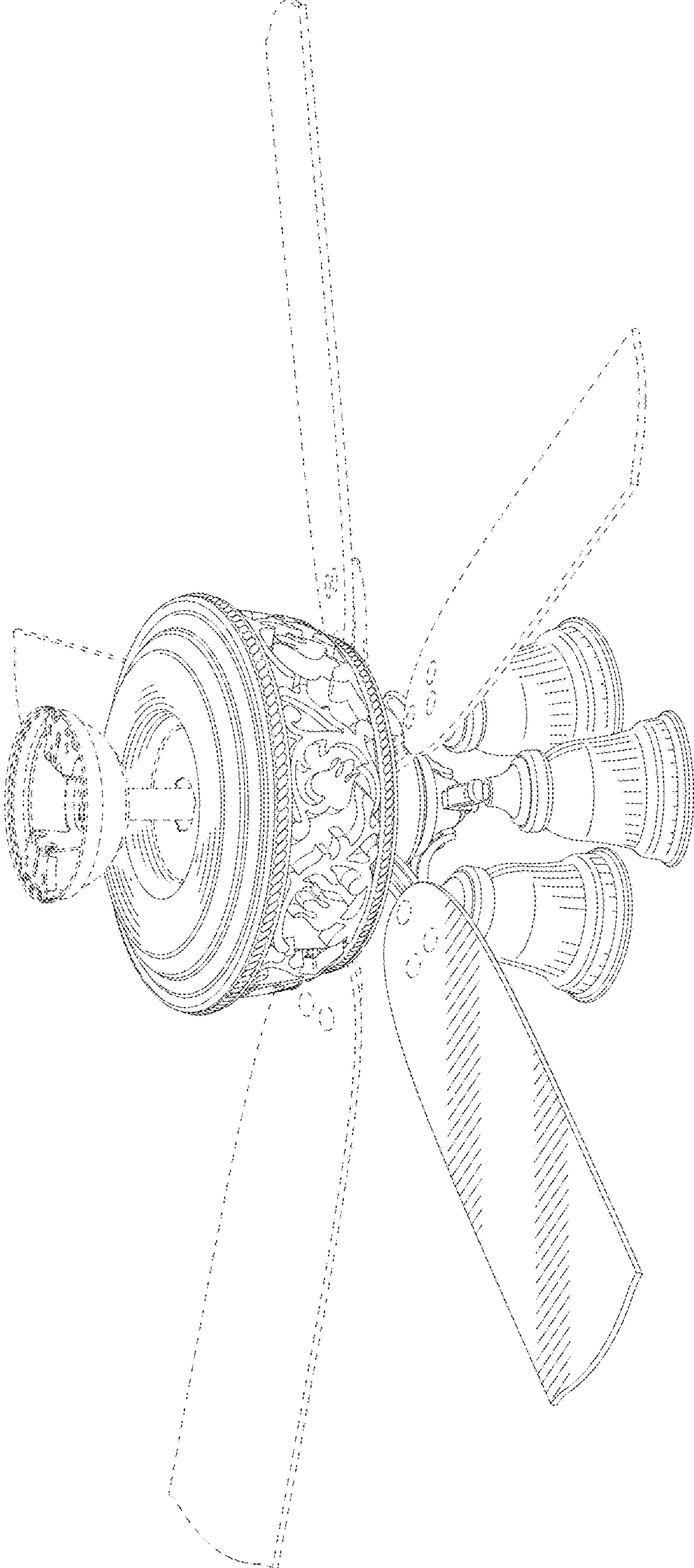


FIG.1

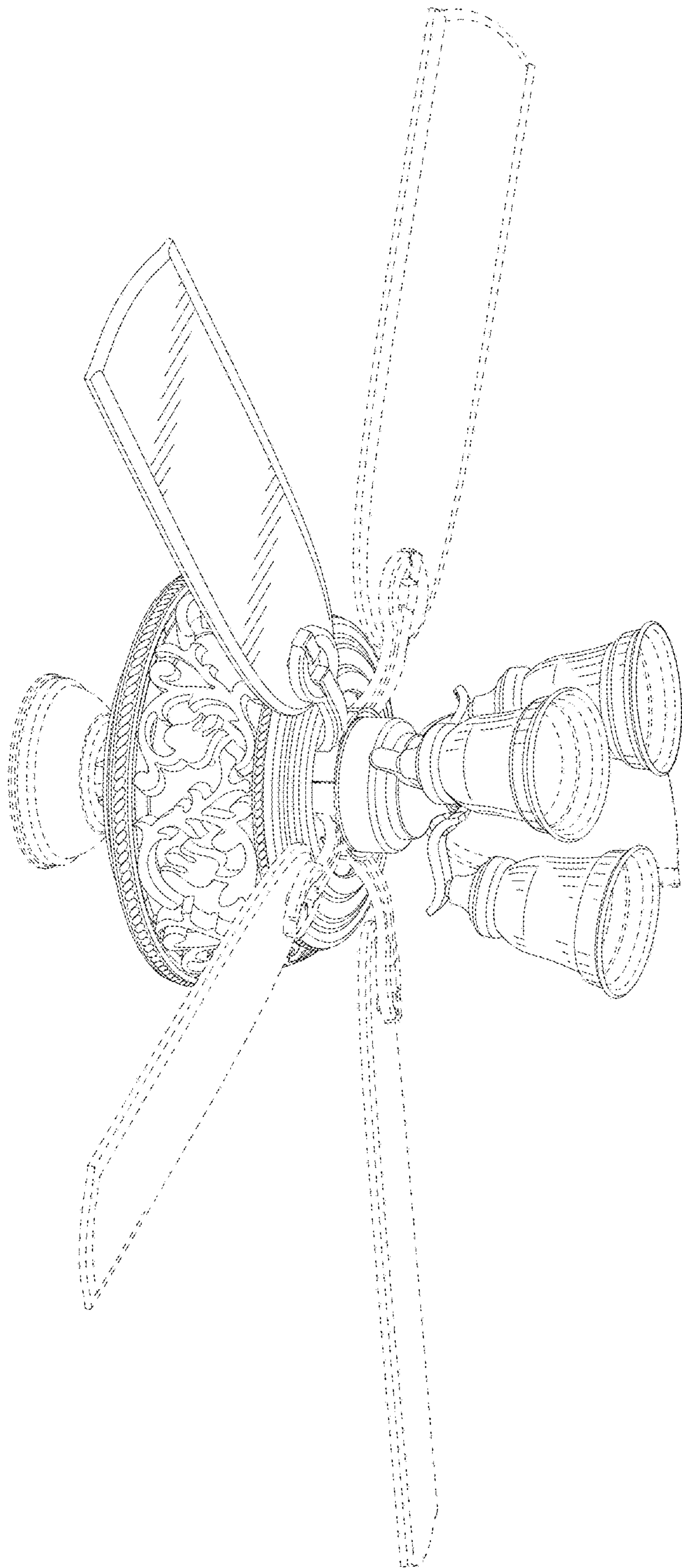


FIG. 2

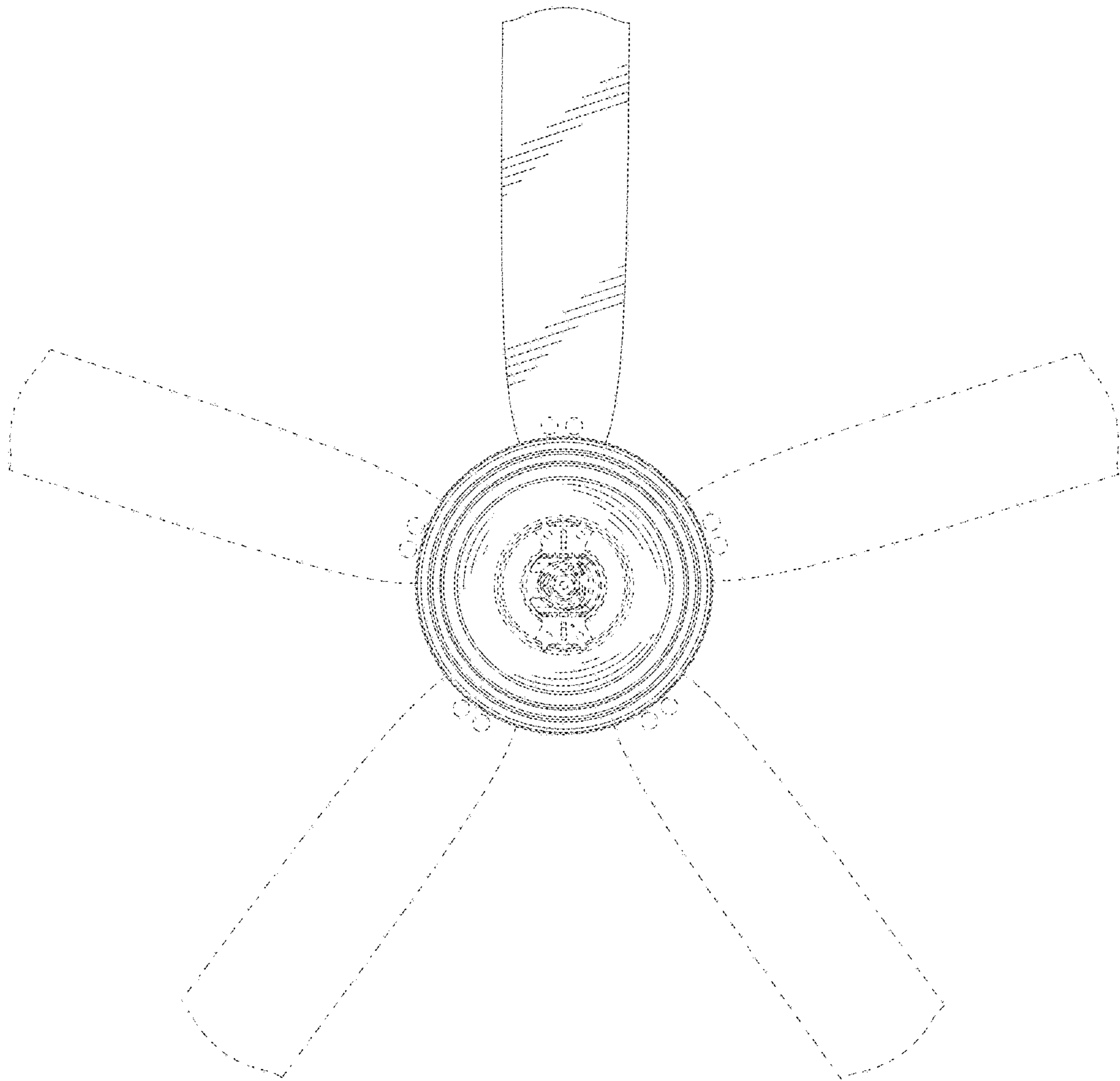


FIG.3

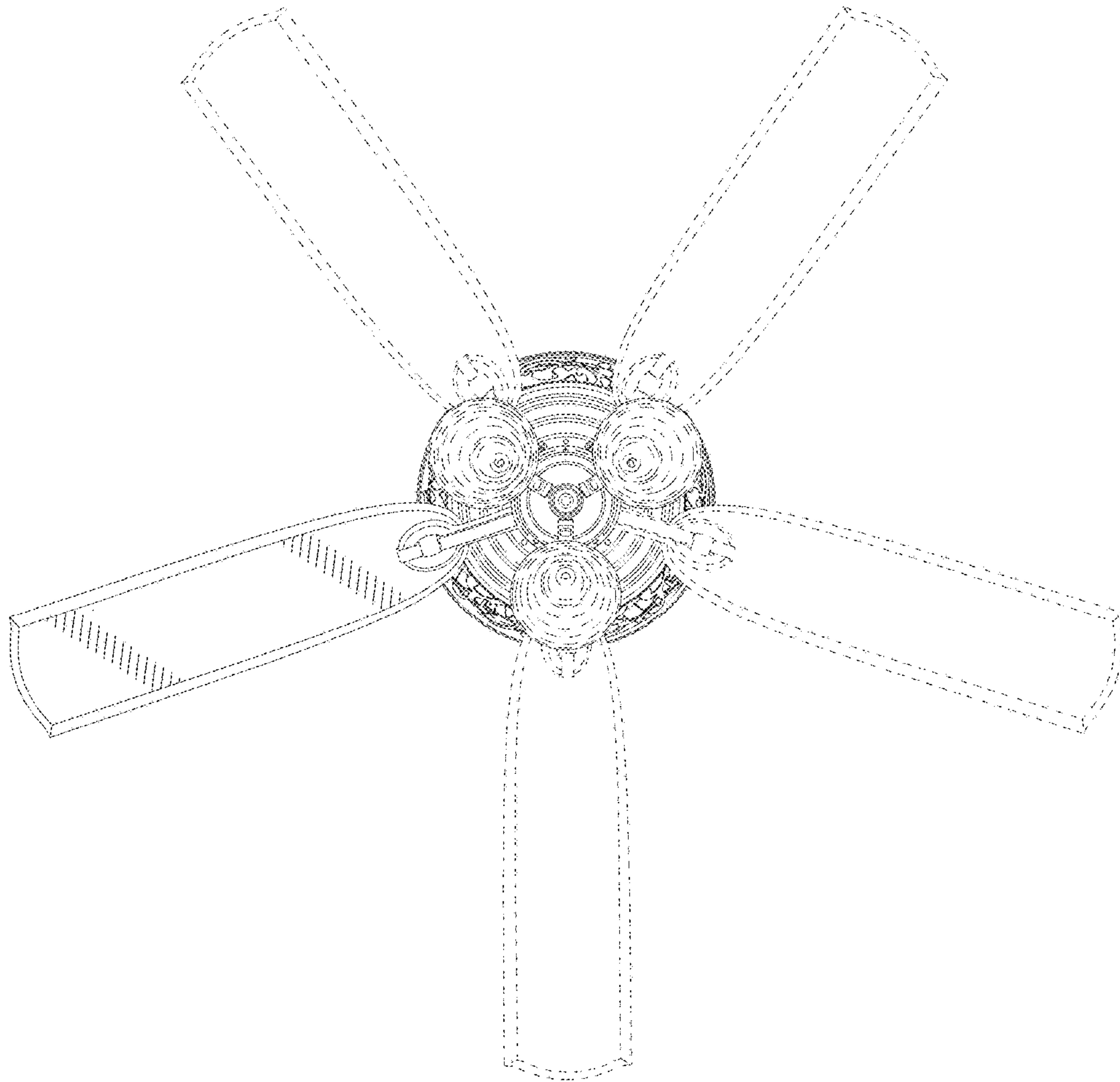


FIG. 4

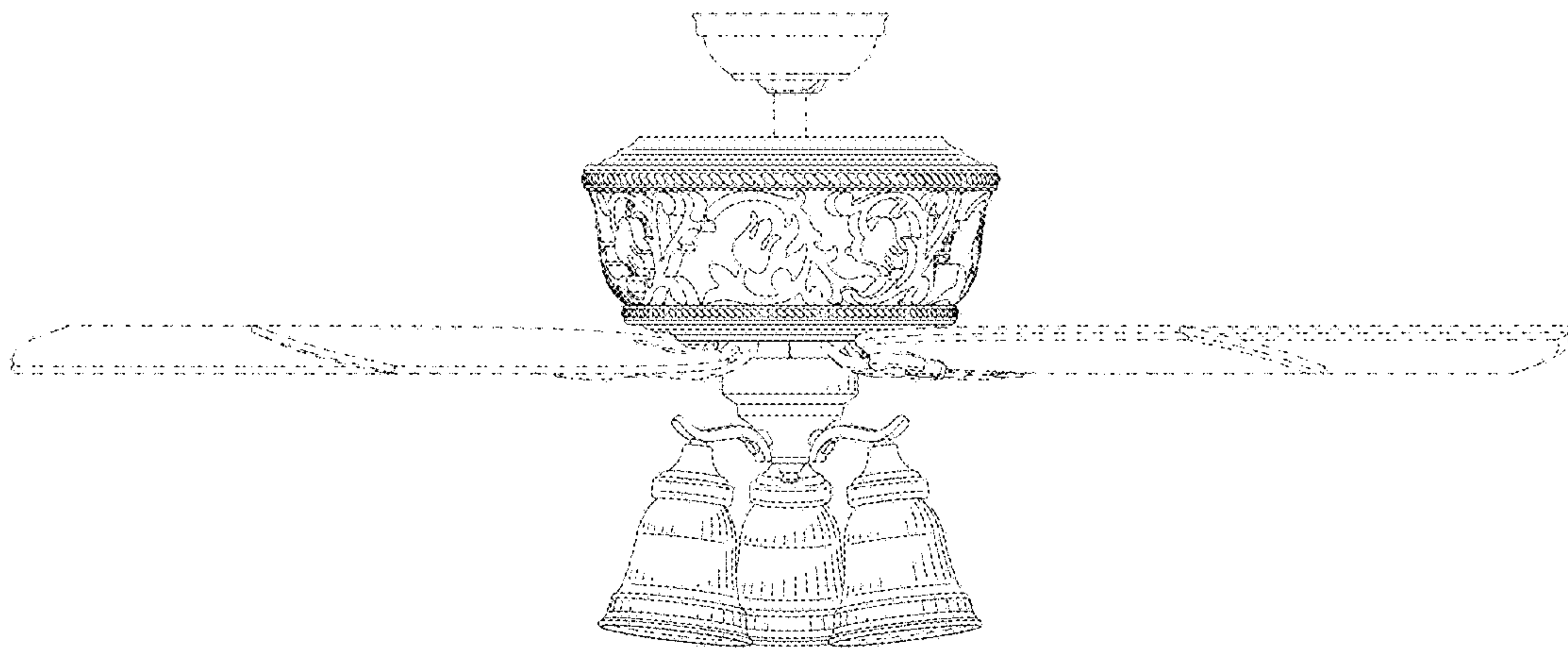


FIG. 5

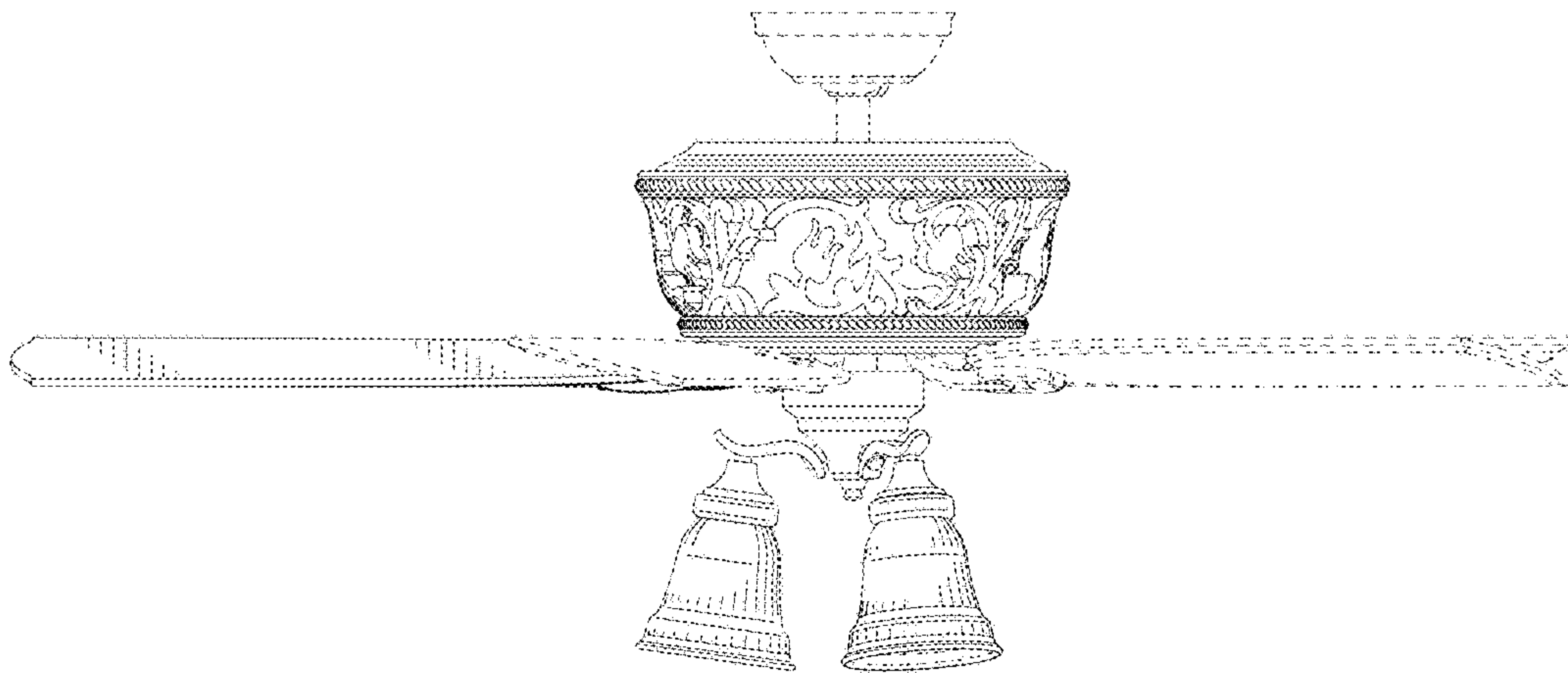


FIG. 6

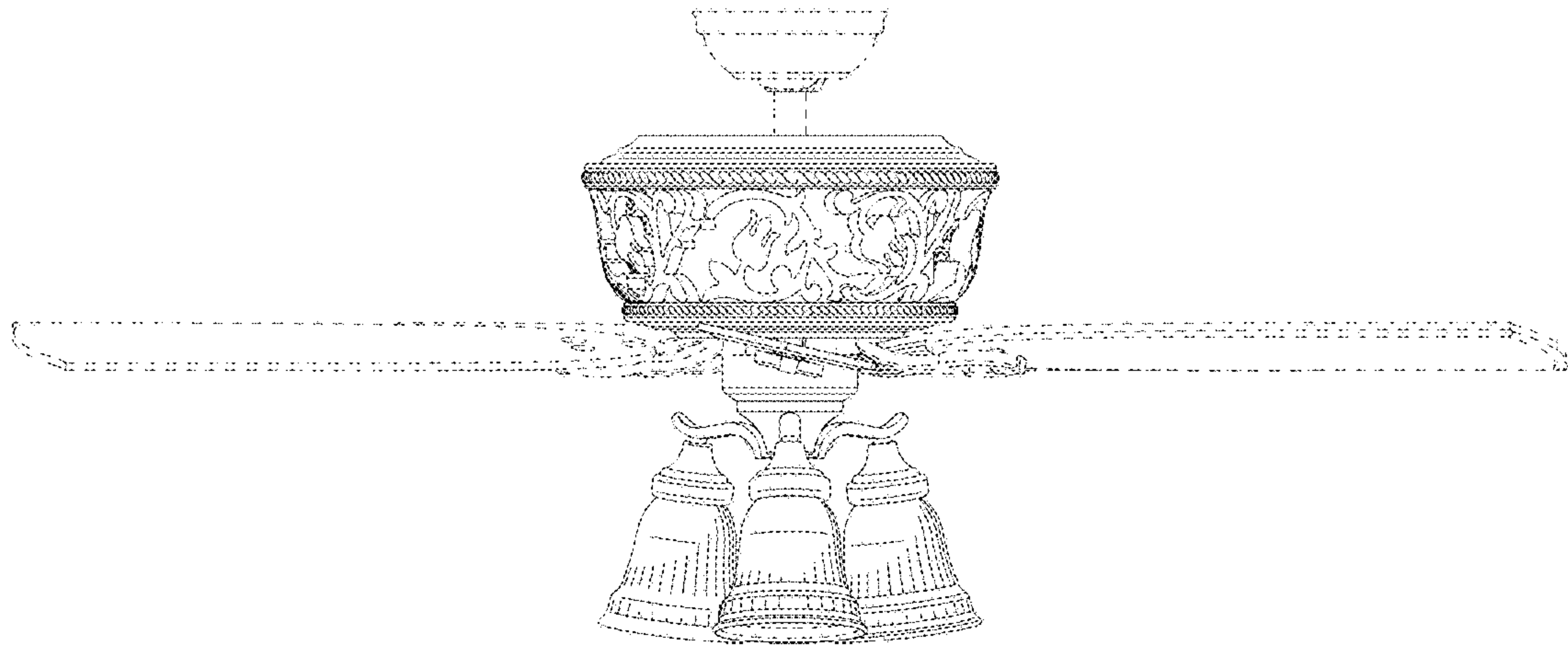


FIG. 7

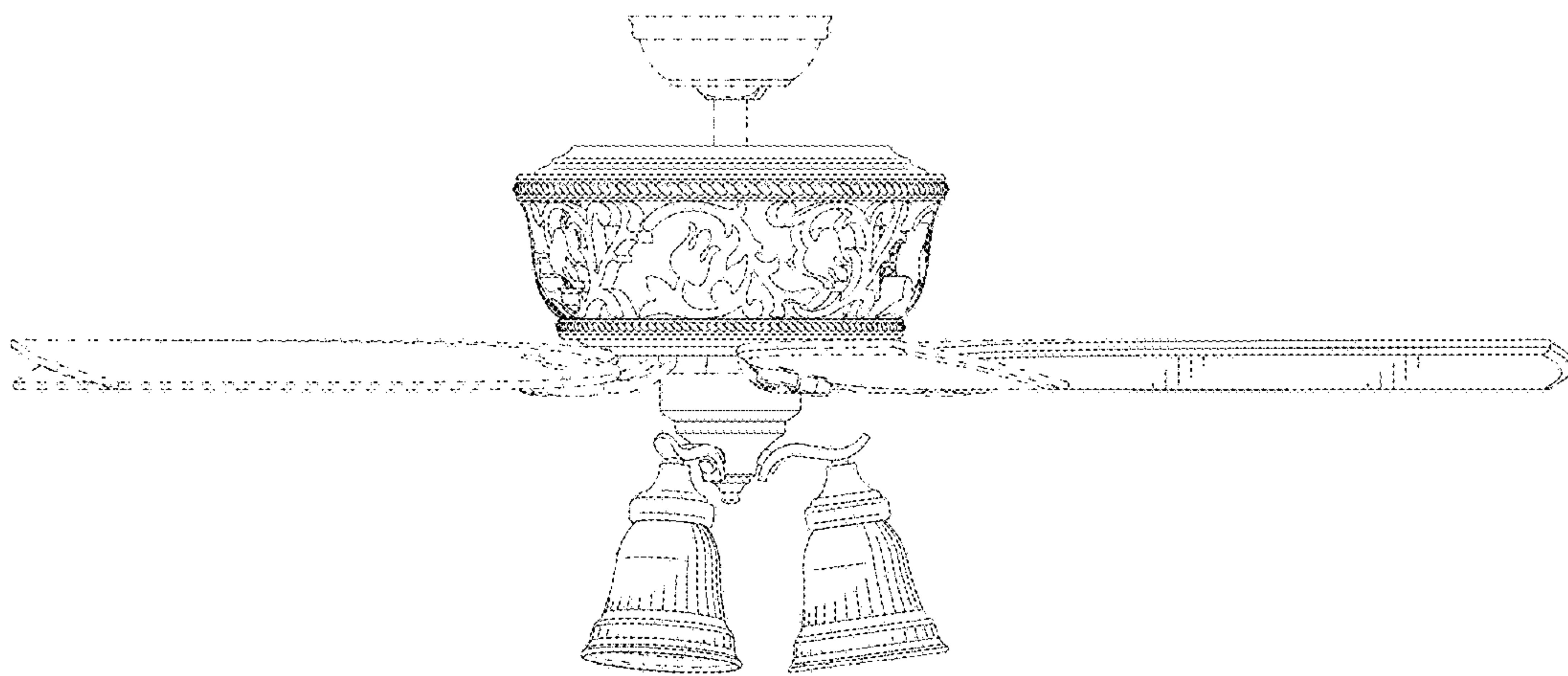


FIG. 8