



US00D810266S

(12) **United States Design Patent**
Li

(10) **Patent No.:** **US D810,266 S**
(45) **Date of Patent:** **** Feb. 13, 2018**

(54) **AROMA DIFFUSER**

(71) Applicant: **Puzhen Life Co., Limited**, Hong Kong (HK)

(72) Inventor: **Dong Sheng Li**, Hong Kong (HK)

(73) Assignee: **PUZHEN LIFE CO., LIMITED**, Hong Kong (HK)

(**) Term: **15 Years**

(21) Appl. No.: **29/585,508**

(22) Filed: **Nov. 24, 2016**

(30) **Foreign Application Priority Data**

Jun. 17, 2016 (HK) 1601171.0

(51) **LOC (11) Cl.** **28-99**

(52) **U.S. Cl.**
USPC **D23/366**

(58) **Field of Classification Search**
USPC D23/314, 325, 332-336, 342, 351, 352, D23/355-369, 370, 386-388; D14/168; D9/500, 503, 504; D7/300.1, 510
CPC Y10T 428/1366; B32B 2597/00; A61M 25/0012; B01D 46/00; B01D 46/0004; B01D 27/04
See application file for complete search history.

(56) **References Cited**

U.S. PATENT DOCUMENTS

D434,843 S * 12/2000 Zaragoza D23/366
D493,873 S * 8/2004 Hayashi D23/314
D493,874 S * 8/2004 Woods D23/364

D580,028 S * 11/2008 Catrino D23/332
D610,871 S * 3/2010 Alviar D7/510
D652,681 S * 1/2012 Monugian D7/510
D652,682 S * 1/2012 Eyal D7/510
D716,427 S * 10/2014 Lim D23/364
D721,920 S * 2/2015 Coon D7/510
D757,921 S * 5/2016 Li D23/366
D761,624 S * 7/2016 McLean D7/507
D788,280 S * 5/2017 Shah D23/366
D788,897 S * 6/2017 Lee D23/356

* cited by examiner

Primary Examiner — Robert M Spear

Assistant Examiner — John Voytek

(57) **CLAIM**

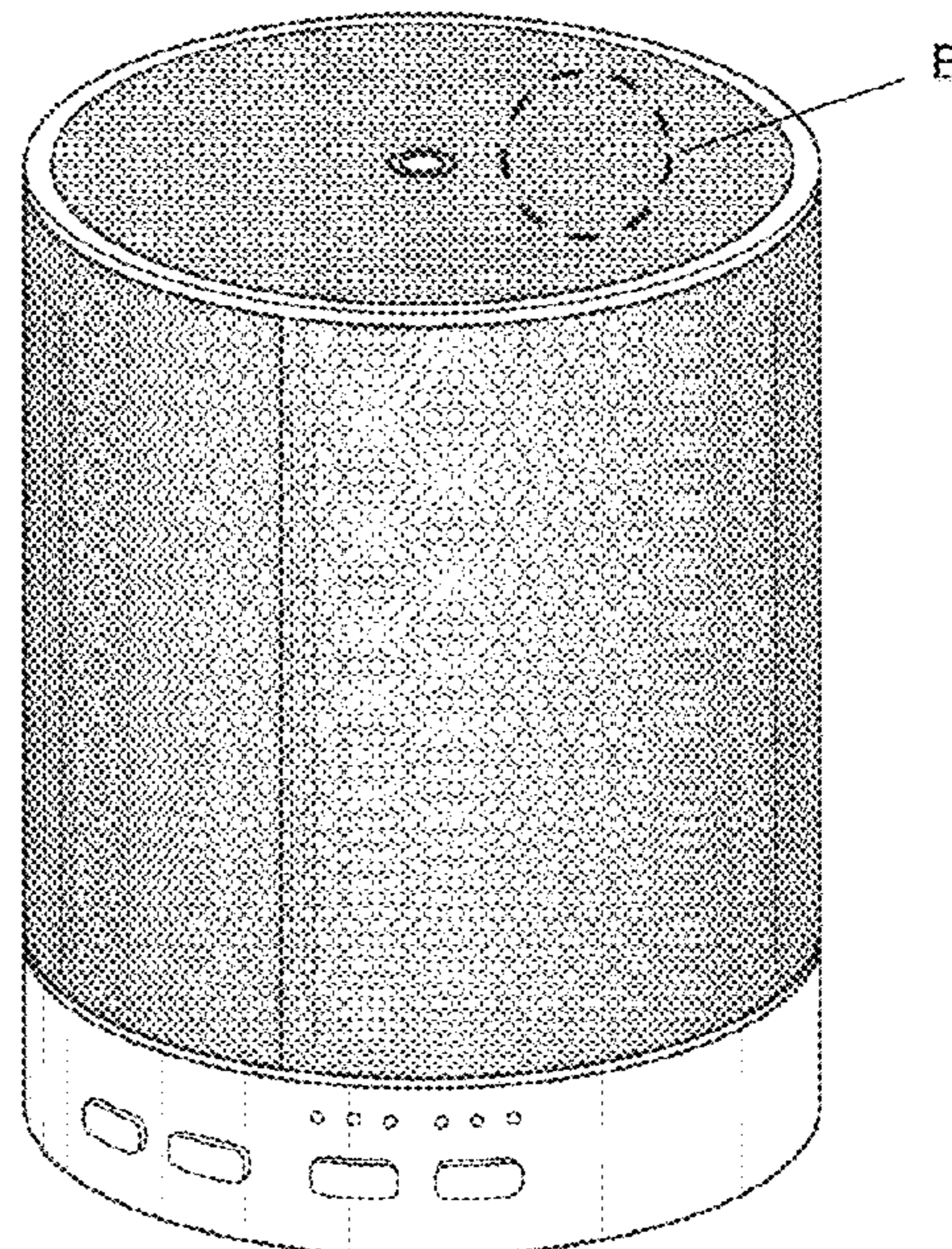
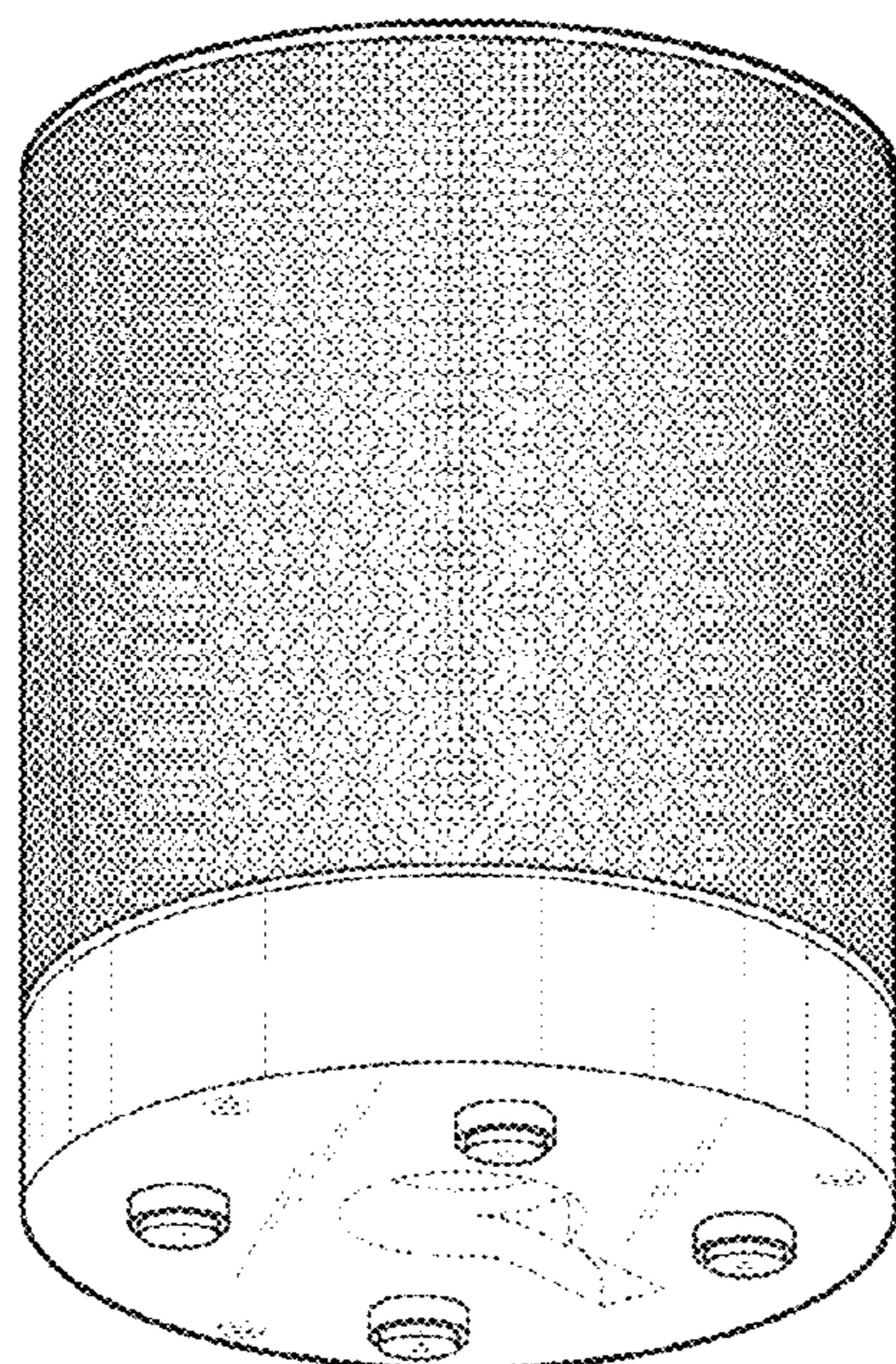
The ornamental design for an aroma diffuser, as shown and described.

DESCRIPTION

FIG. 1 is a front elevational view of an aroma diffuser showing my new design;
FIG. 2 is a rear elevational view thereof;
FIG. 3 is a left side view thereof;
FIG. 4 is a right side view thereof;
FIG. 5 is a top plan view thereof;
FIG. 6 is a bottom plan view thereof;
FIG. 7 is a first perspective view thereof;
FIG. 8 is a second perspective view thereof;
FIG. 9 is an enlarged view of Part A shown in FIG. 1 thereof; and,
FIG. 10 is an enlarged view of Part B shown in FIG. 8 thereof.

The broken lines in the drawings illustrate portions of the aroma diffuser which form no part of the claimed design.

1 Claim, 10 Drawing Sheets



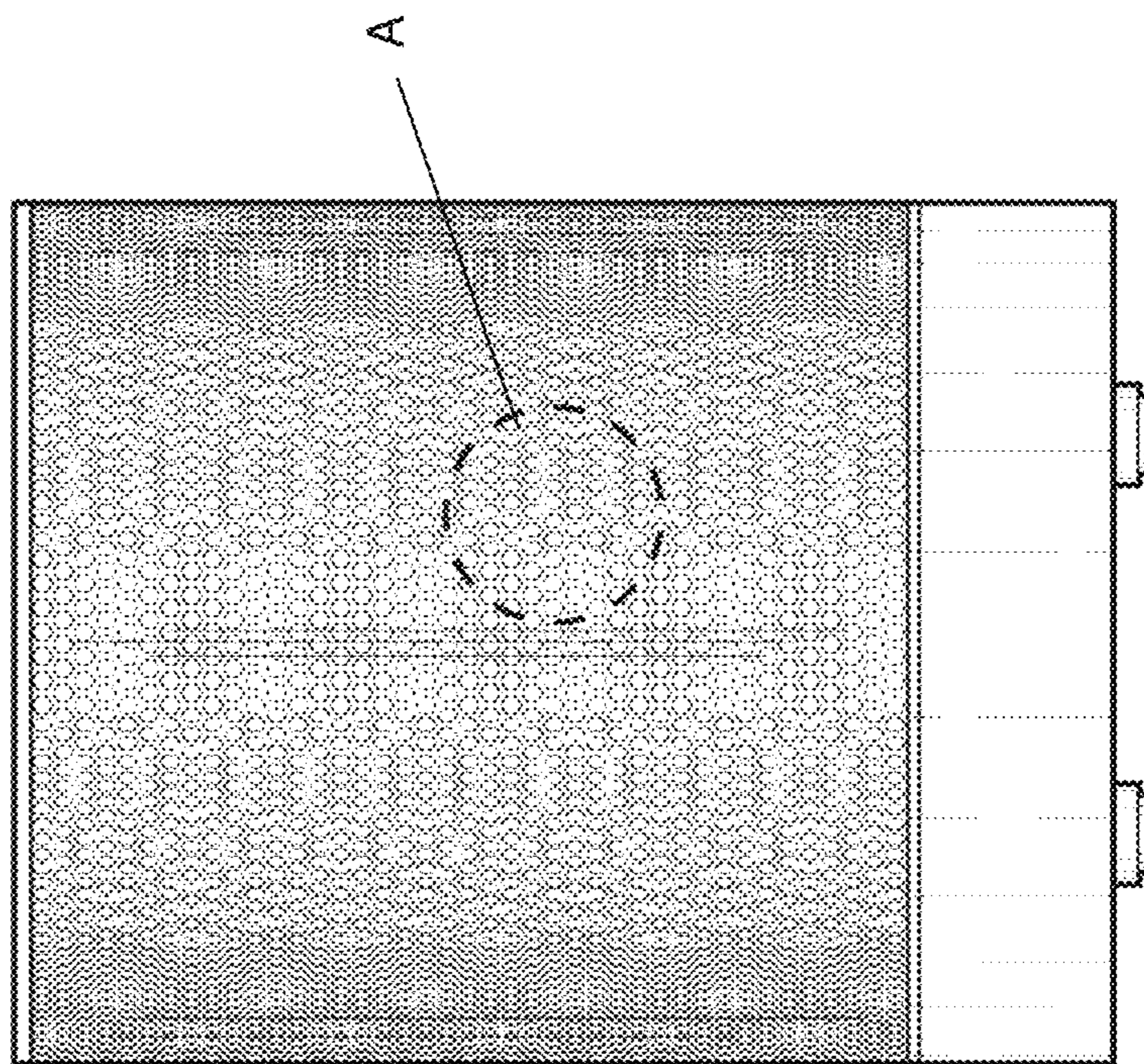


Fig. 1

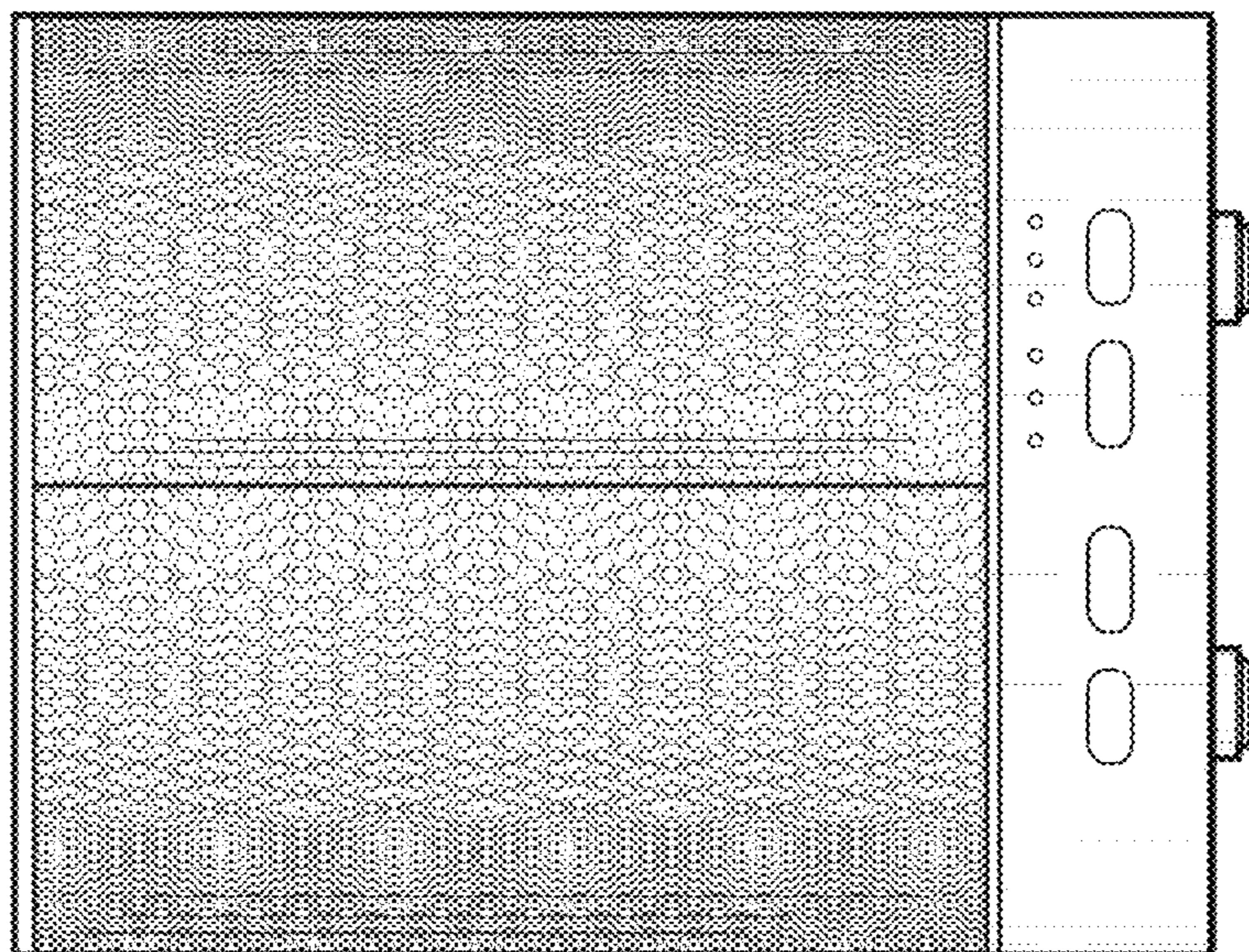


Fig. 2

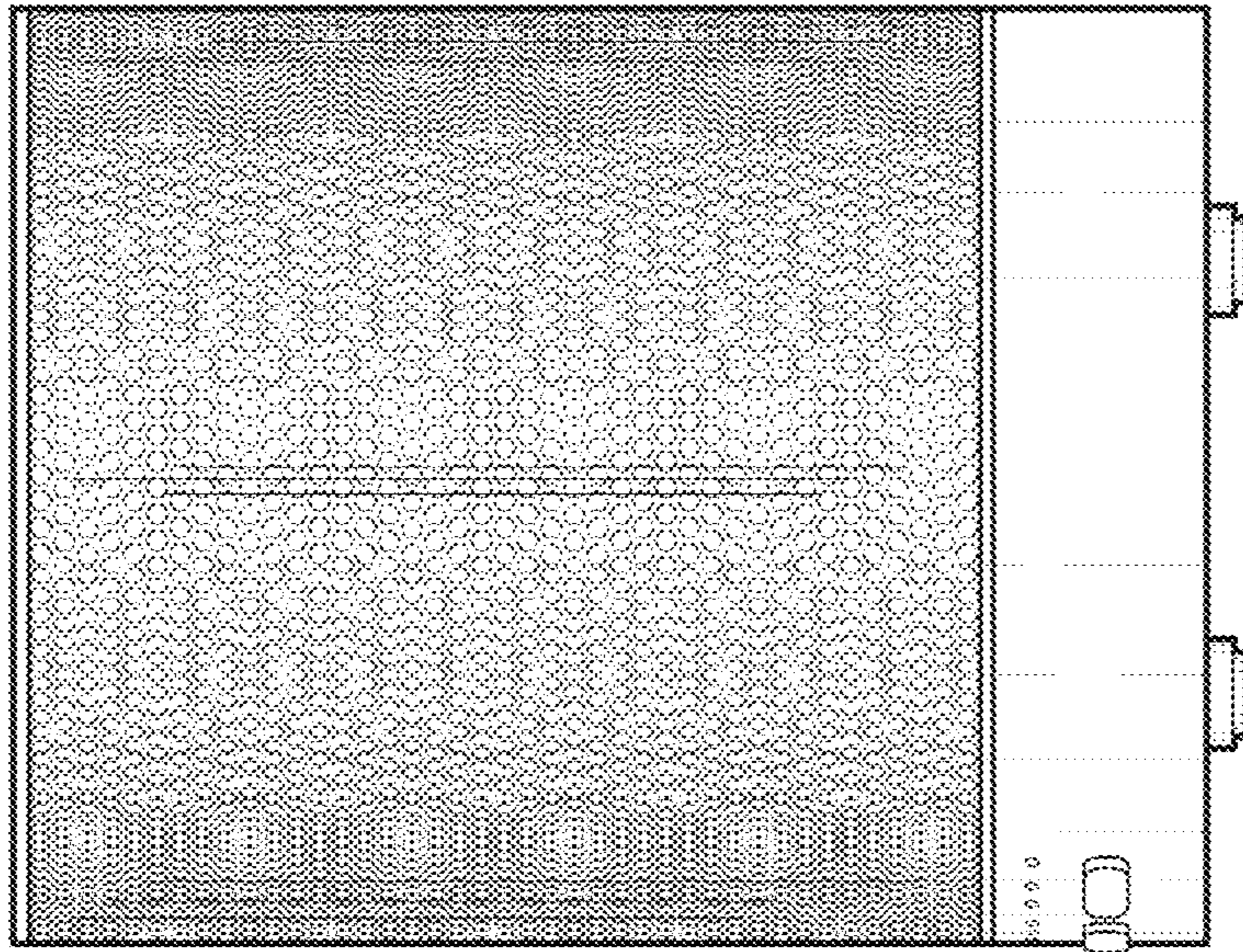


Fig. 3

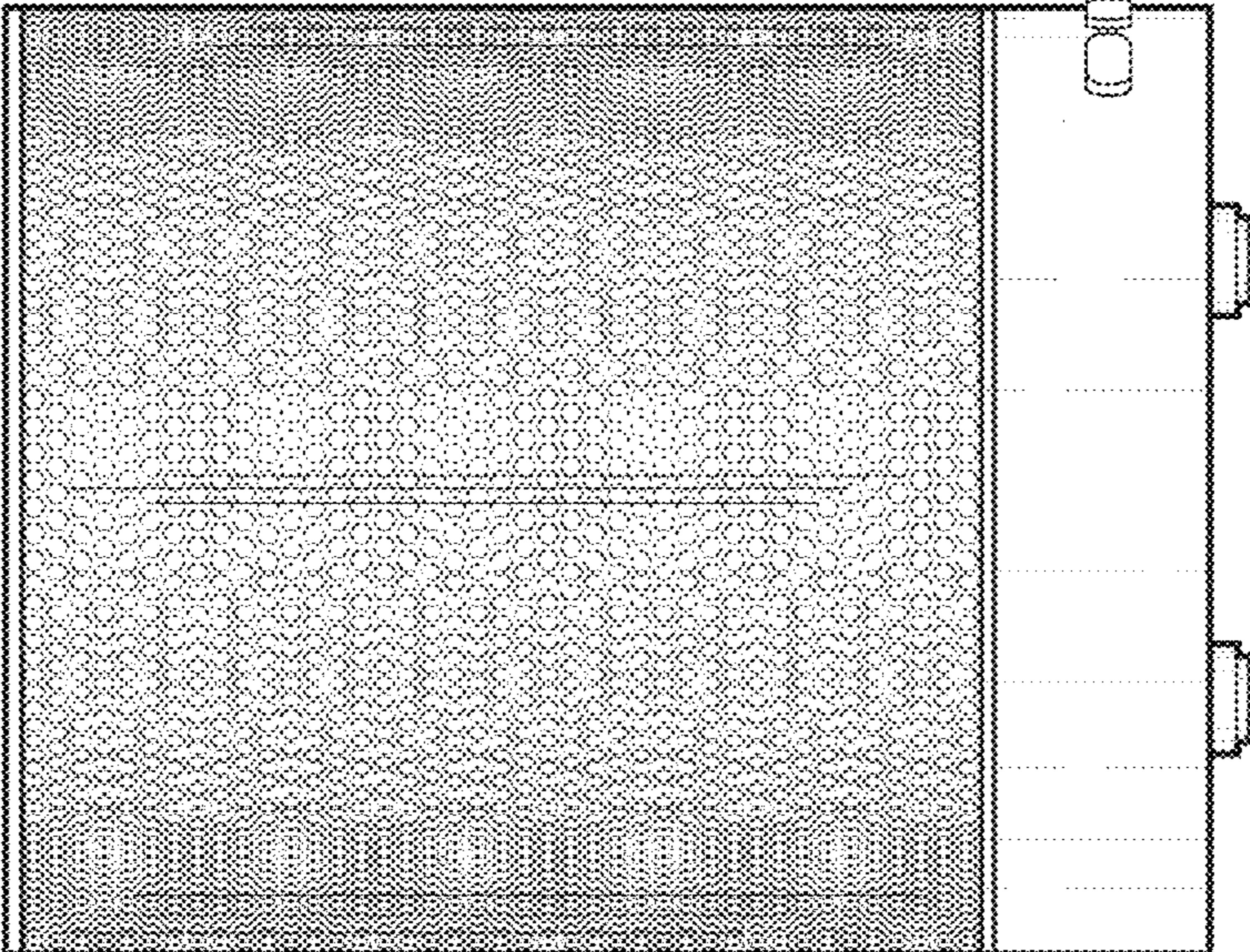


Fig. 4

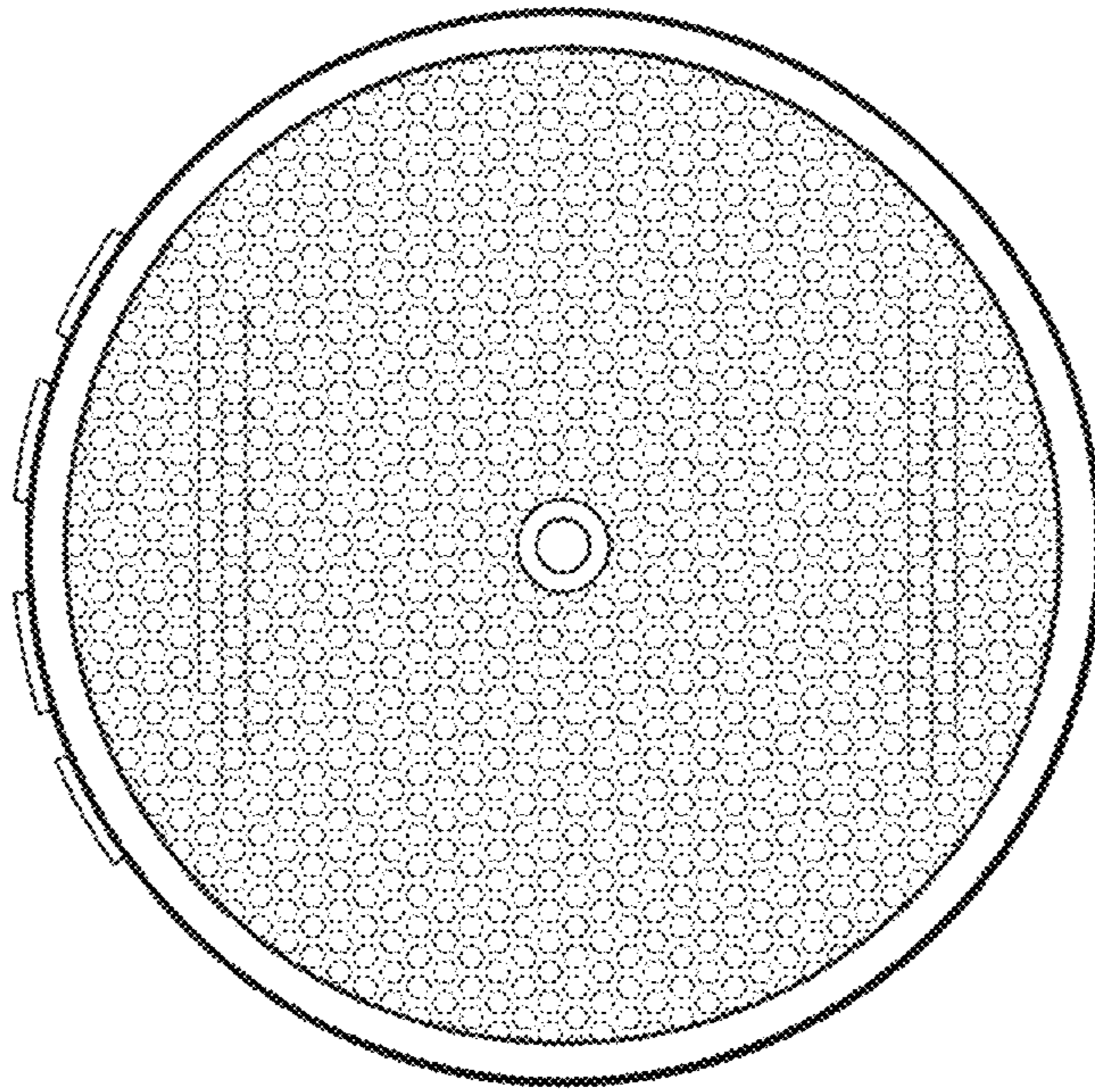


Fig. 5

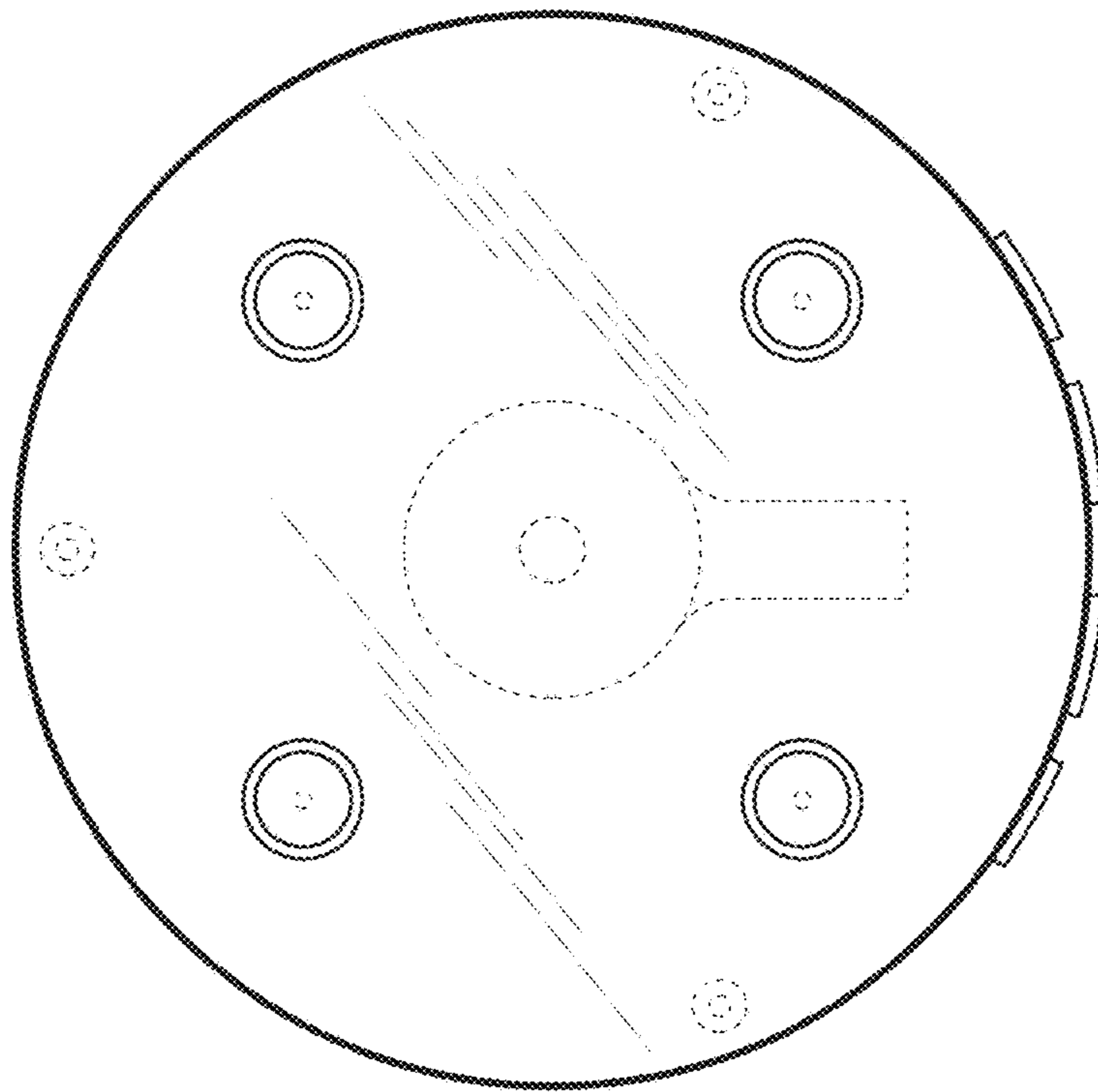


Fig. 6

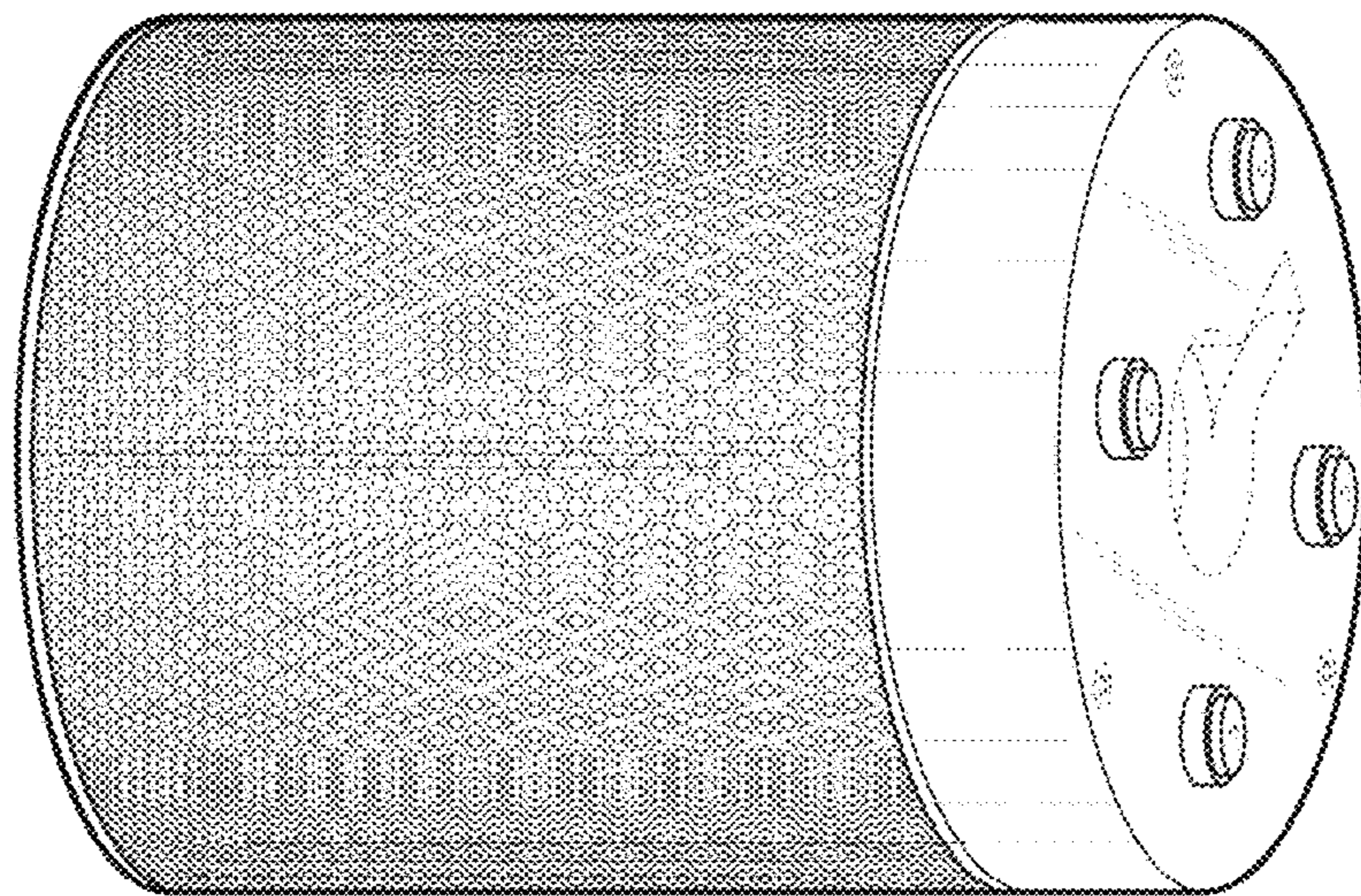


Fig. 7

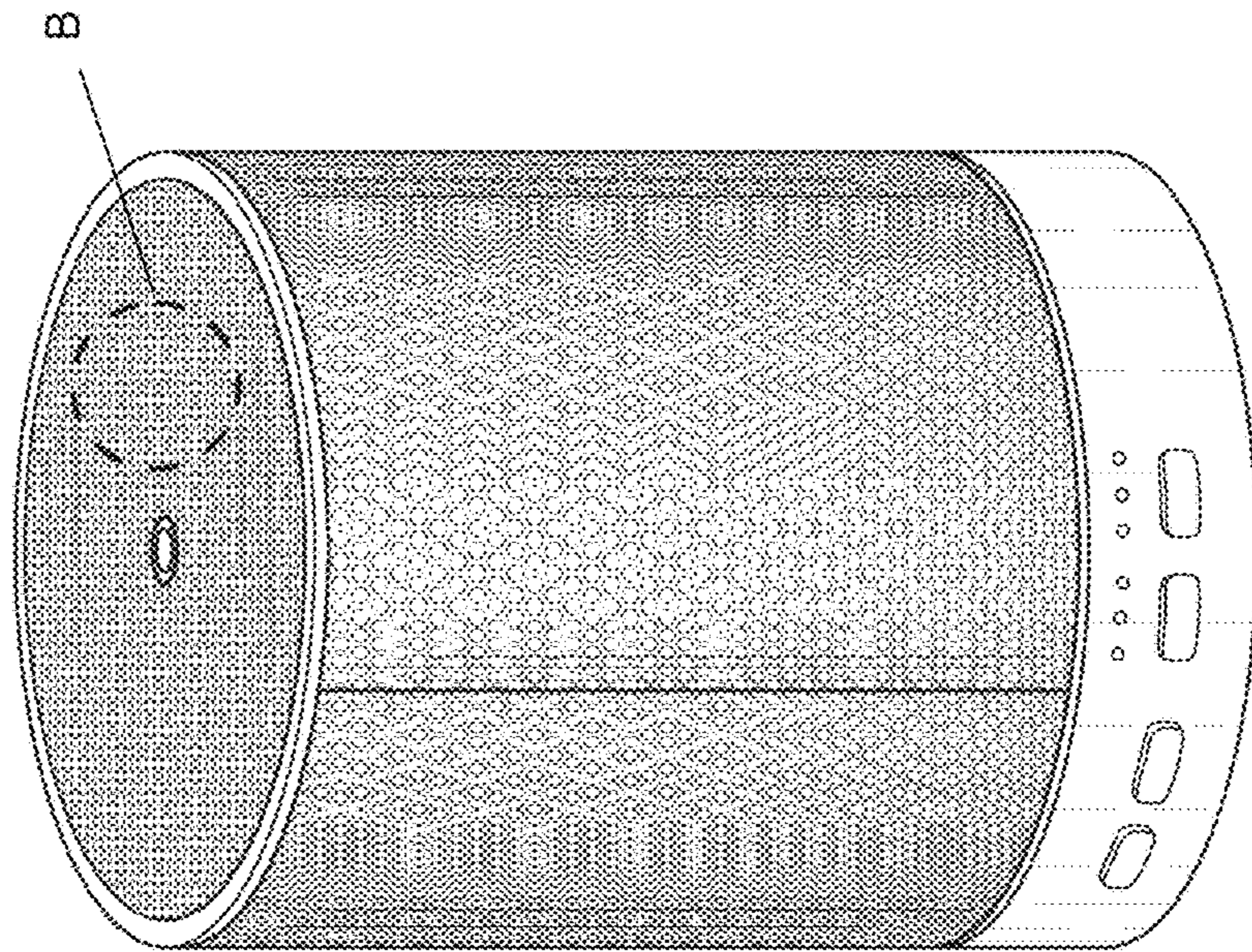


Fig. 8

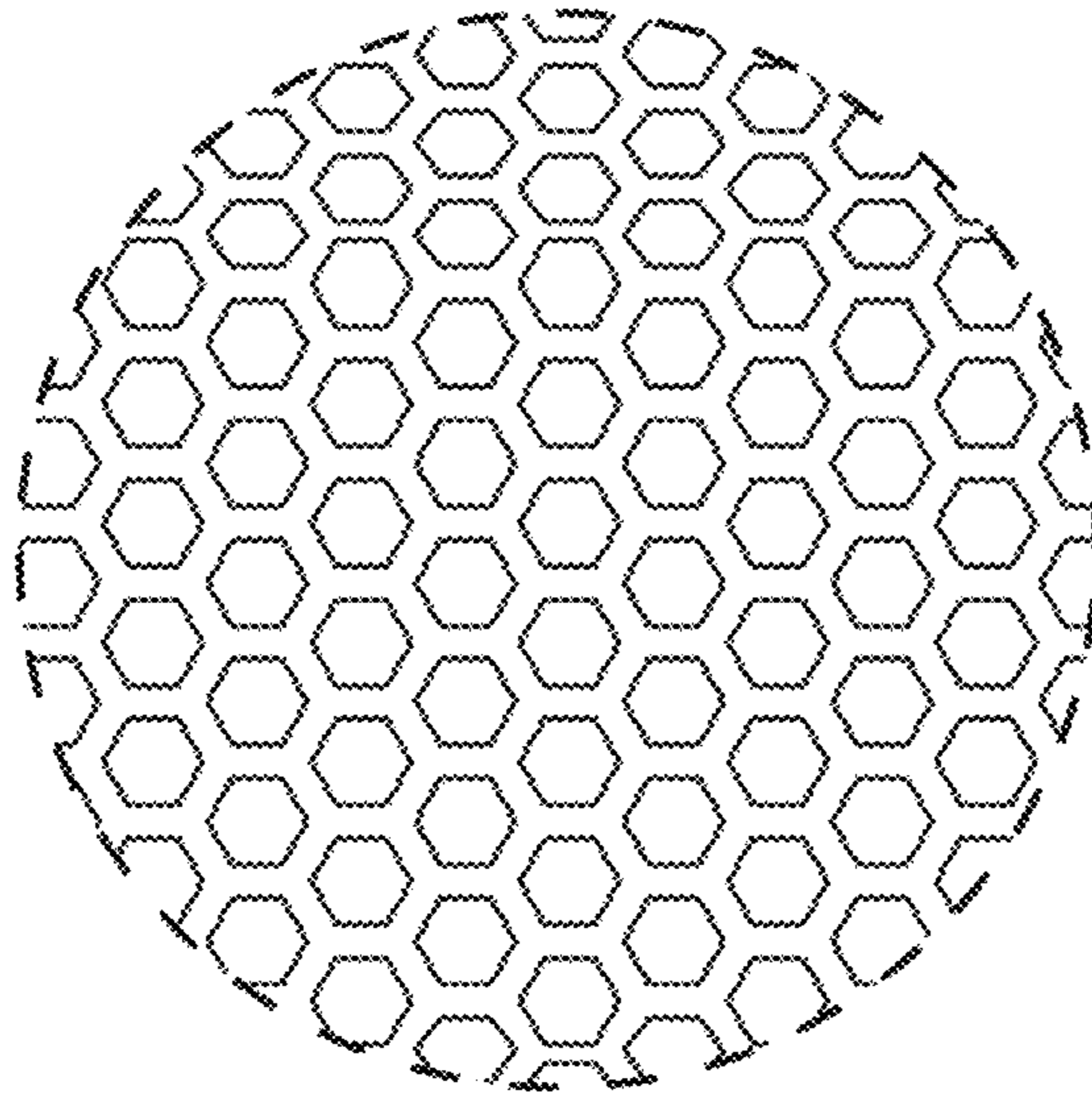


Fig. 9

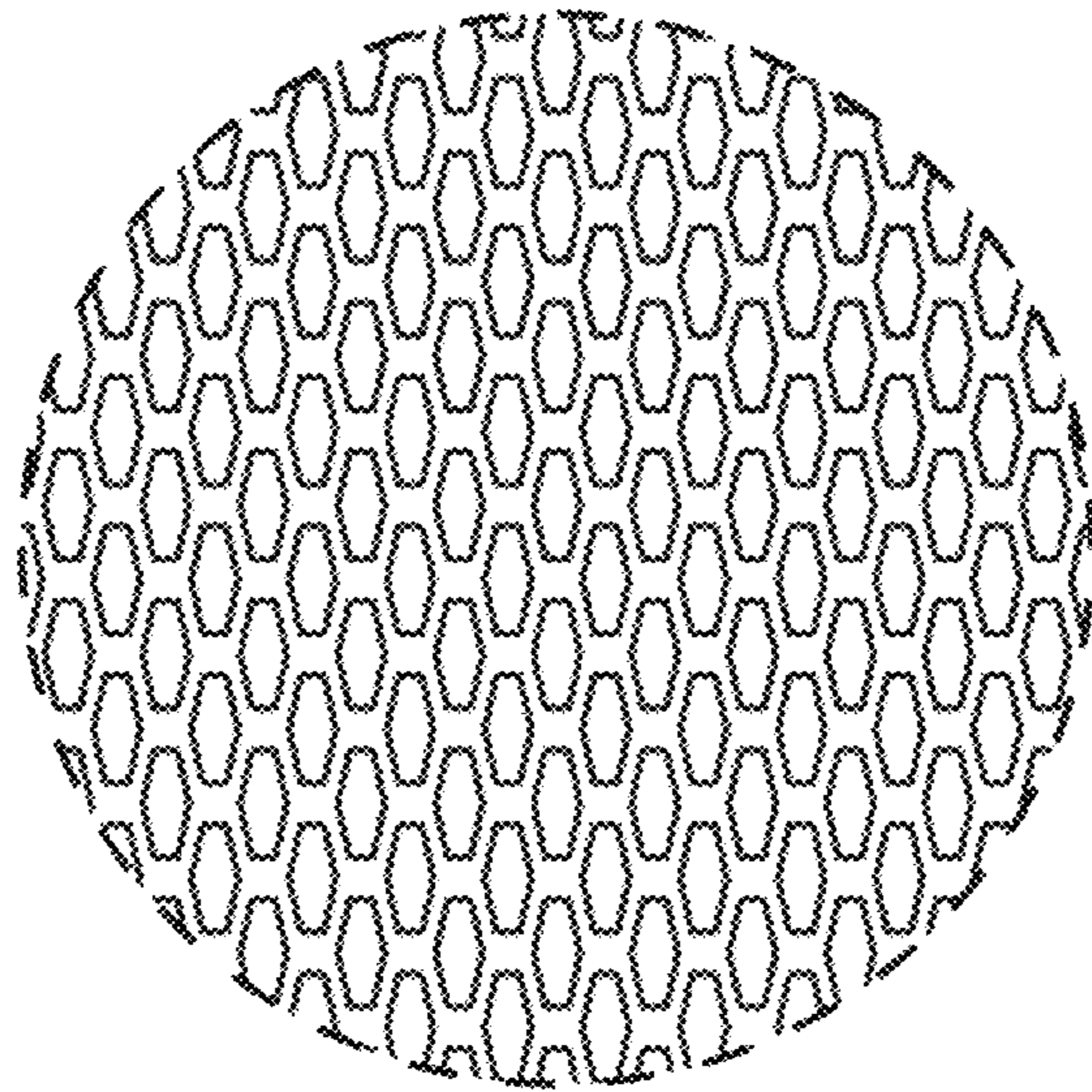


Fig. 10