



US00D810261S

(12) **United States Design Patent** (10) **Patent No.:** **US D810,261 S**
Chen (45) **Date of Patent:** **** Feb. 13, 2018**

(54) **AROMATHERAPY DIFFUSER**
(71) Applicant: **Wenlian Chen**, Guangdong (CN)
(72) Inventor: **Wenlian Chen**, Guangdong (CN)
(**) Term: **15 Years**

(21) Appl. No.: **29/550,638**
(22) Filed: **Jan. 6, 2016**
(51) **LOC (11) Cl.** **23-04**
(52) **U.S. Cl.**
USPC **D23/366**
(58) **Field of Classification Search**
USPC D23/411, 355-369; D7/608, 509, 510;
D9/529; D99/5; D11/131.1; D28/7-8,
D28/91.1; 261/DIG. 88, DIG. 17,
261/DIG. 42, DIG. 65
CPC ... A61L 9/00; A61L 9/02; A61L 9/032; A61L
9/035; A61L 9/037; A61L 9/03; A61L
9/04; A61L 9/12
See application file for complete search history.

(56) **References Cited**

U.S. PATENT DOCUMENTS

D221,657 S * 8/1971 Katzman D23/362
D292,311 S * 10/1987 Joyaux D23/366
D339,986 S * 10/1993 Garouste D9/519
D522,118 S * 5/2006 Miro D23/366
D536,081 S * 1/2007 Steinel D23/366
D621,495 S 8/2010 Li
8,020,785 B2 * 9/2011 Chao A61Q 15/00
239/53
D650,280 S * 12/2011 de Peyerimhoff D9/454
D696,555 S * 12/2013 Kolano D7/590
D698,910 S * 2/2014 Lin D23/366
D706,410 S * 6/2014 Pan D23/411
D720,063 S * 12/2014 Li D23/366
D720,064 S * 12/2014 Li D23/366
D729,370 S * 5/2015 Chou D23/366
D733,498 S * 7/2015 Matharu D7/300
D733,859 S * 7/2015 Hsiao D23/366

D735,314 S * 7/2015 Benamor D23/366
9,078,938 B2 * 7/2015 Hsiao A61L 9/14
D743,527 S * 11/2015 Wang D23/411
9,255,701 B2 * 2/2016 Pas A61L 9/03
D755,361 S * 5/2016 Osborn D23/366
(Continued)

FOREIGN PATENT DOCUMENTS

FR 2955498 A1 * 7/2011 A61L 9/037

OTHER PUBLICATIONS

Stella Products, Electronic Aroma Diffuser—Bamboo, no post date, [online], [site visited on Dec. 27, 2016]. Available from Internet, <URL: <http://www.stellaproducts.co.nz/product/electronic-aroma-diffuser-bamboo>>.*

(Continued)

Primary Examiner — Sheryl Lane
Assistant Examiner — Samantha N Wood
(74) *Attorney, Agent, or Firm* — Raj Abhyanker, P.C.

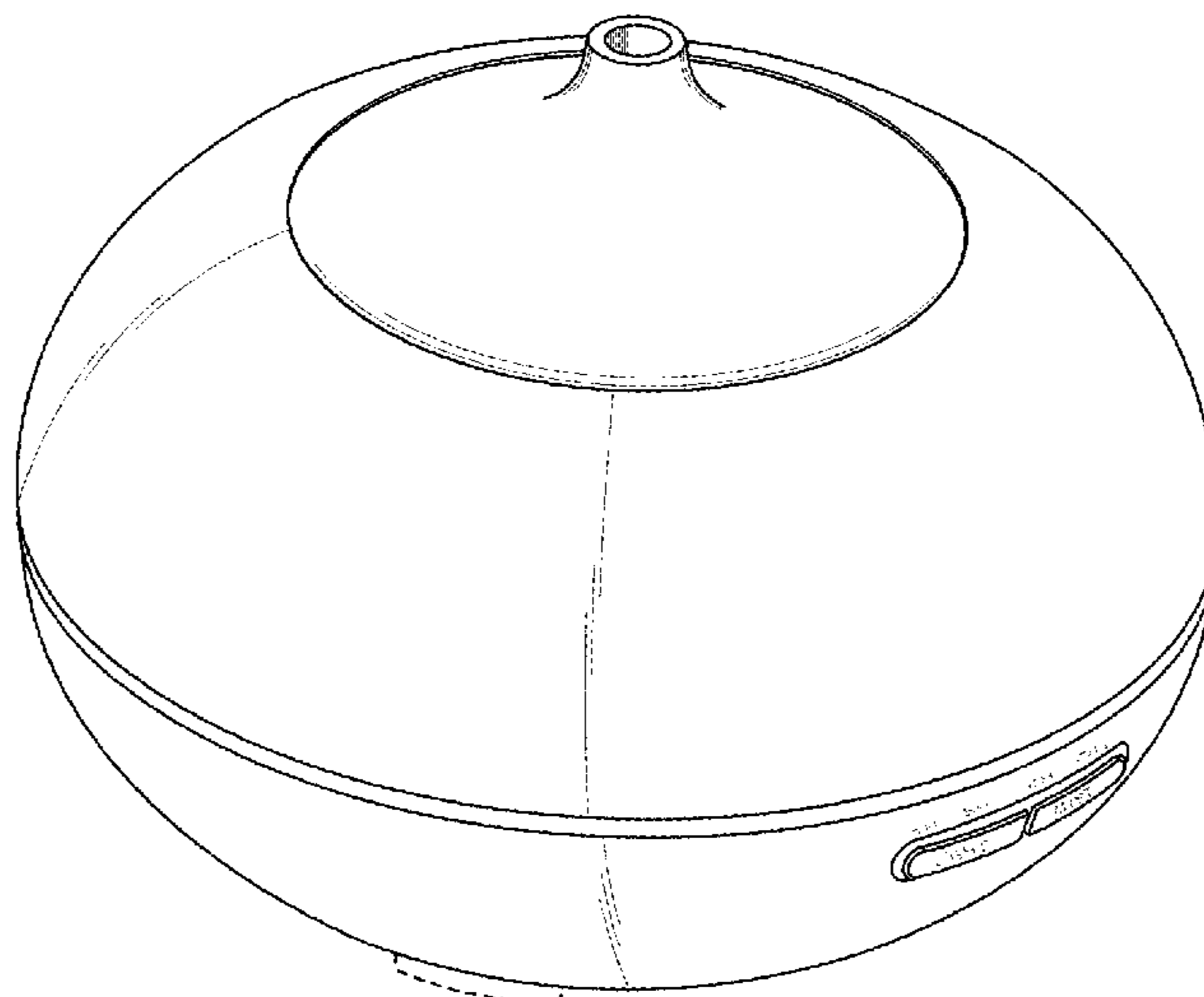
(57) **CLAIM**

The ornamental design for an aromatherapy diffuser, as shown and described.

DESCRIPTION

FIG. 1 is a top front perspective view for an aromatherapy diffuser showing my new design;
FIG. 2 is a front elevational view thereof;
FIG. 3 is a rear elevational view thereof;
FIG. 4 is a right side elevational view thereof;
FIG. 5 is a left side elevational view thereof;
FIG. 6 is a top plan view thereof; and,
FIG. 7 is a bottom plan view thereof.
The broken line showing portions of the aromatherapy diffuser are included for the purpose of illustrating the environmental structure and forms no part of the claimed design.

1 Claim, 7 Drawing Sheets



(56)

References Cited

U.S. PATENT DOCUMENTS

D757,920	S	*	5/2016	Lin	D23/366
D759,338	S	*	6/2016	Reynolds	A61G 17/08 D99/5
D768,495	S	*	10/2016	Staab	D9/452
D770,860	S	*	11/2016	Wampold	D7/608
D771,785	S	*	11/2016	Huang	D23/366
D773,638	S	*	12/2016	Wang	D23/411

OTHER PUBLICATIONS

Dhgate, 2013 New Ultrasonic Aroma Diffuser Cool Mist Humidifier, post date of 2013, [online], [site visited on Dec. 27, 2016]. Available from Internet, <URL: <http://www.dhgate.com/product/2013-new-fashion-wood-painting-tabletop-ultrasonic/166498521.html>>.*

Amazon, Yeme Aroma140ml Ultrasonic Diffuser, post date on Apr. 11, 2014, [online], [site visited on Dec. 27, 2016]. Available from Internet, <URL: <https://www.amazon.co.uk/COLOUR-CHANGING-Ultrasonic-Diffuser-Humidifier/dp/B00JL3GHHW>>.*

Youtube, Amzdeal Aroma Diffuser, BE-A1, posted on Sep. 21, 2014, [online], [site visited on Dec. 27, 2016]. Available from Internet, <URL: <https://www.youtube.com/watch?v=5DZETf97Kd0>>.*

Youtube, Ultrasmit Aroma Diffuser KW010, posted on Jul. 8, 2012, [online], [site visited on Dec. 27, 2016]. Available from Internet, <URL: <https://www.youtube.com/watch?v=IdxlOtOypNw>>.*

<http://g04.s.alicdn.com/kf/HTB1gJ4UKpXXXXc9XpXXq6xXFXXU/2013-ultrasonic-humidifier-aroma-diffuser-GX-02K.jpg>.

<http://ecx.images-amazon.com/images/I/417-c55oltL.jpg>.

<http://g01.A.alicdn.com/kf/>

[HTB1gMvvKXXXXbNXXXXq6xXFXXxi/Aroma-Diffuser-Wood-Grain-LED-Electric-Aromatherapy-Essential-Oil-Diffuser-Ultrasonic-Humidifier-Air-Purifier-Mist-Maker.jpg](http://www.victsing.com/wp-content/uploads/2015/12/PHM004Y-1-300x300.jpg).

<http://www.victsing.com/wp-content/uploads/2015/12/PHM004Y-1-300x300.jpg>.

<http://www.thegreenhead.com/imgs/ultrasonic-aroma-oil-diffuser-1.jpg>.

<http://p.globalsources.com/IMAGES/PDT/B0536427392/Electric-scented-oil-diffuser.jpg>.

* cited by examiner

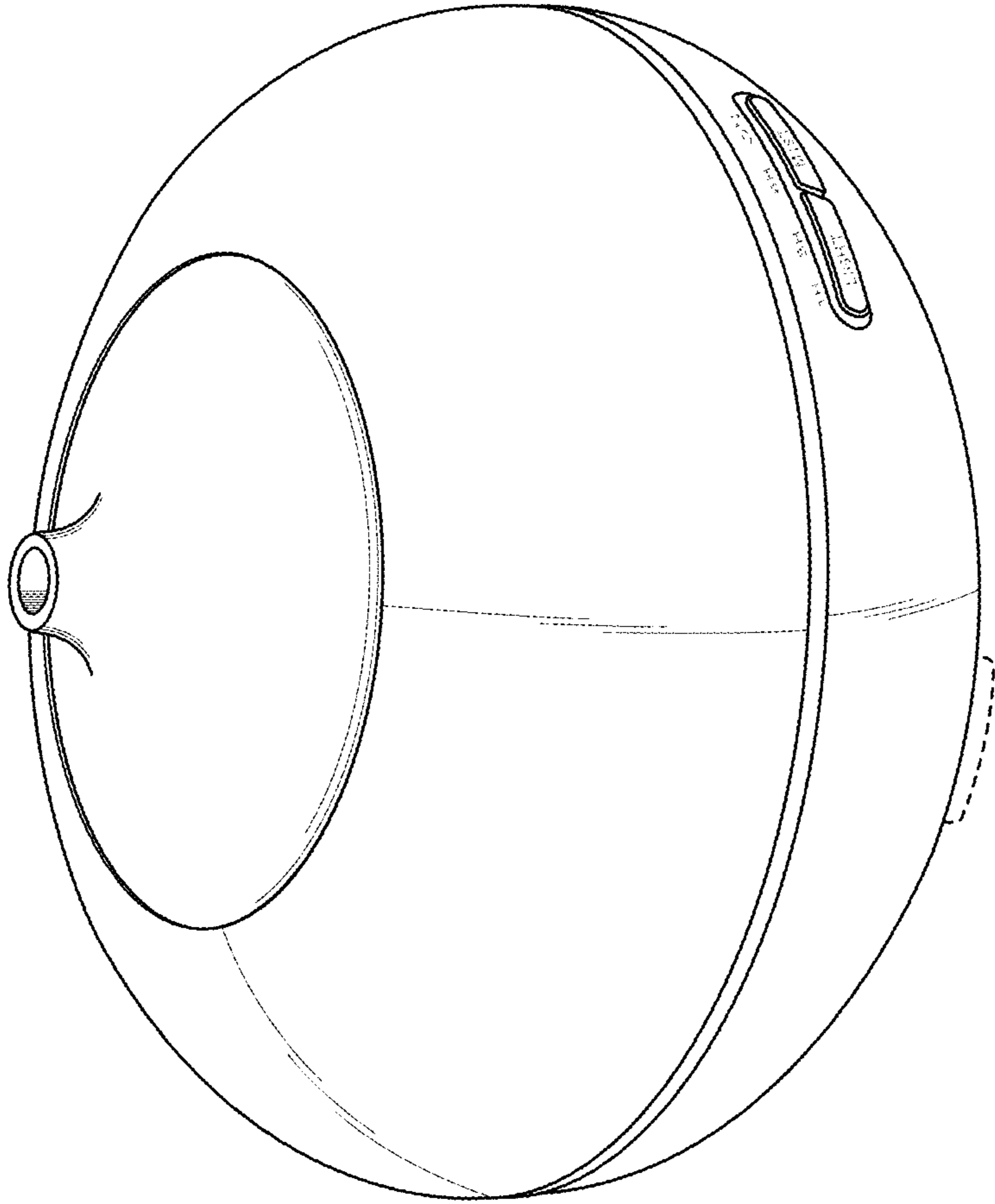


FIG. 1

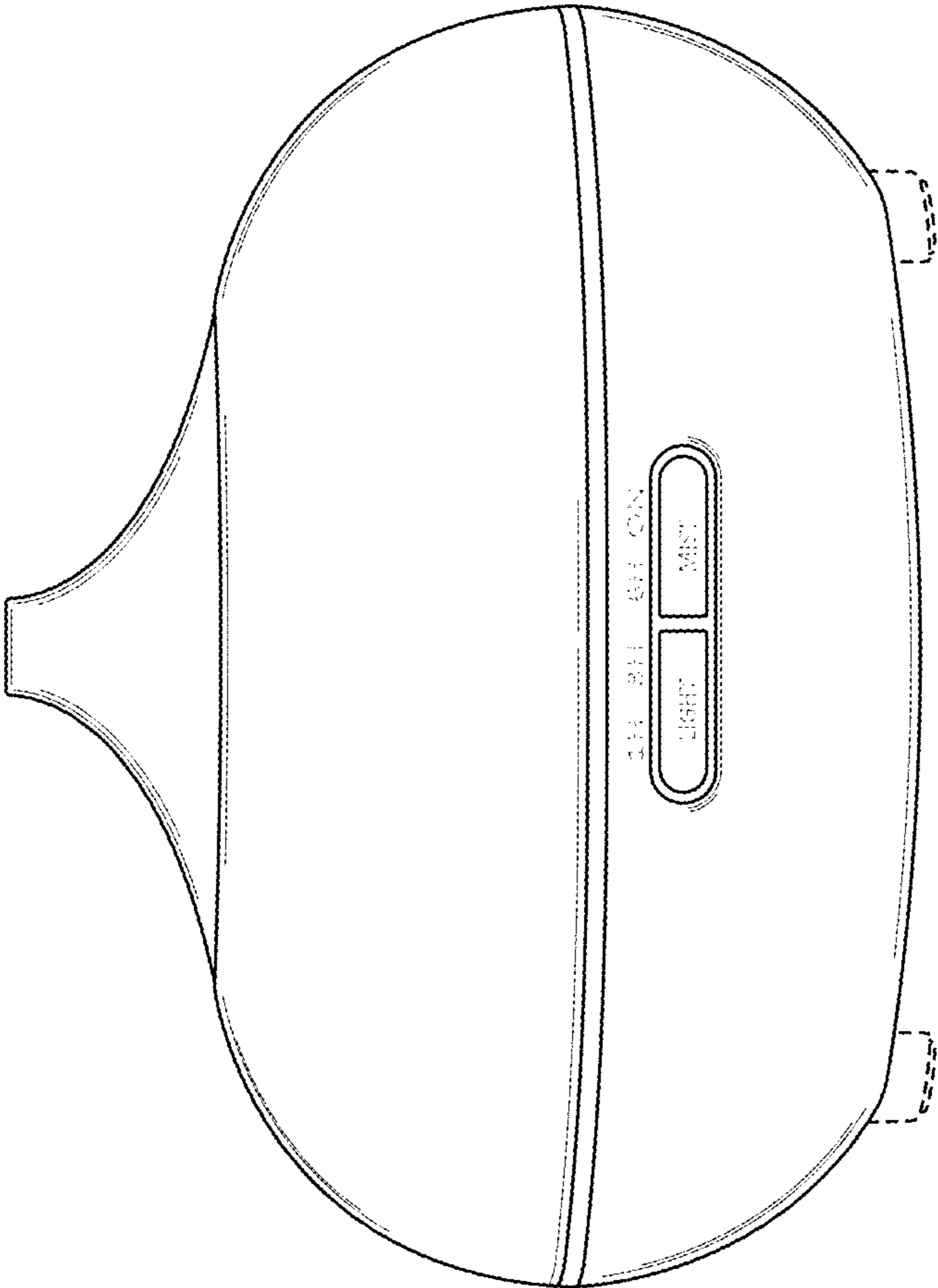


FIG. 2

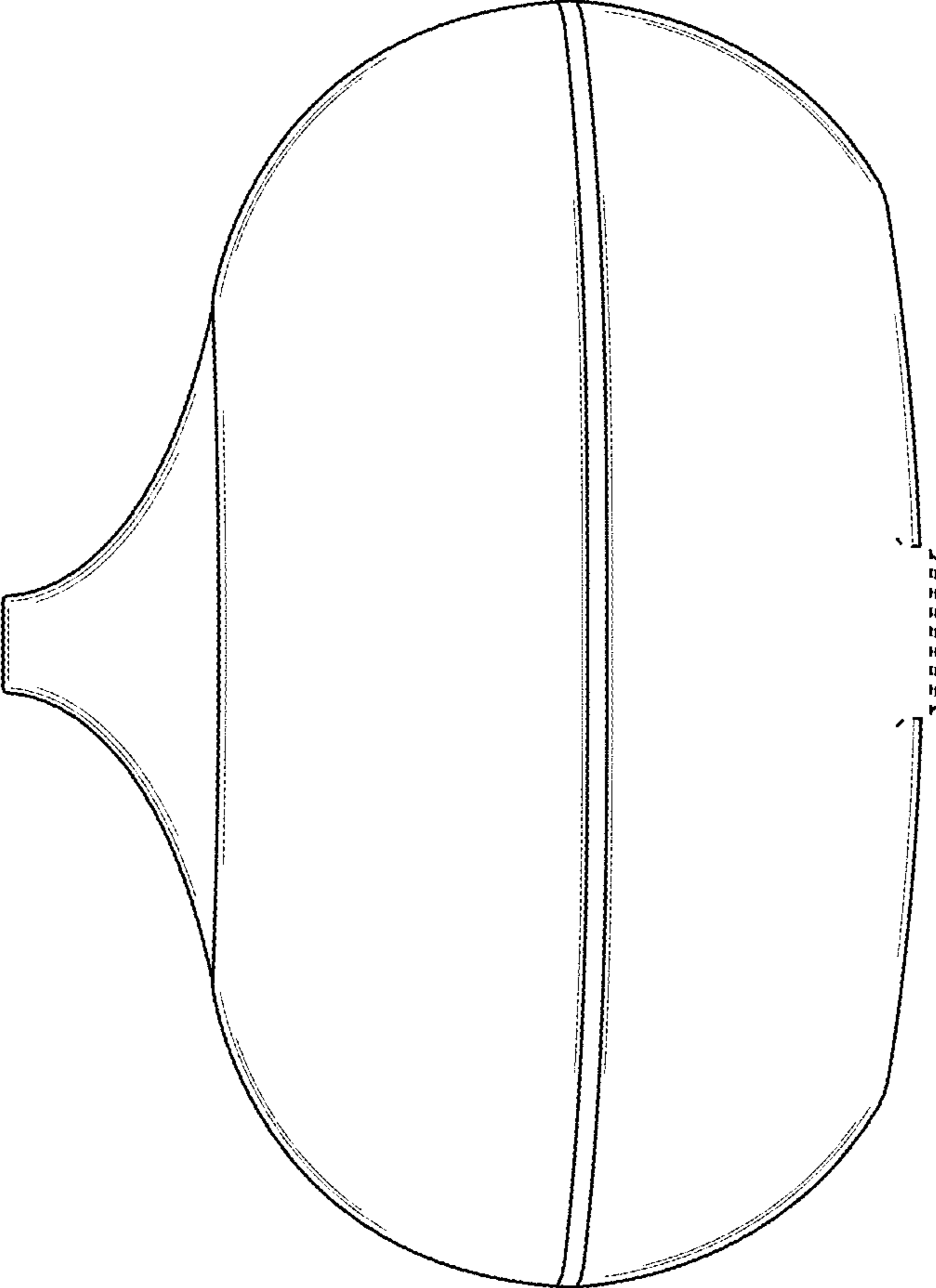


FIG. 3

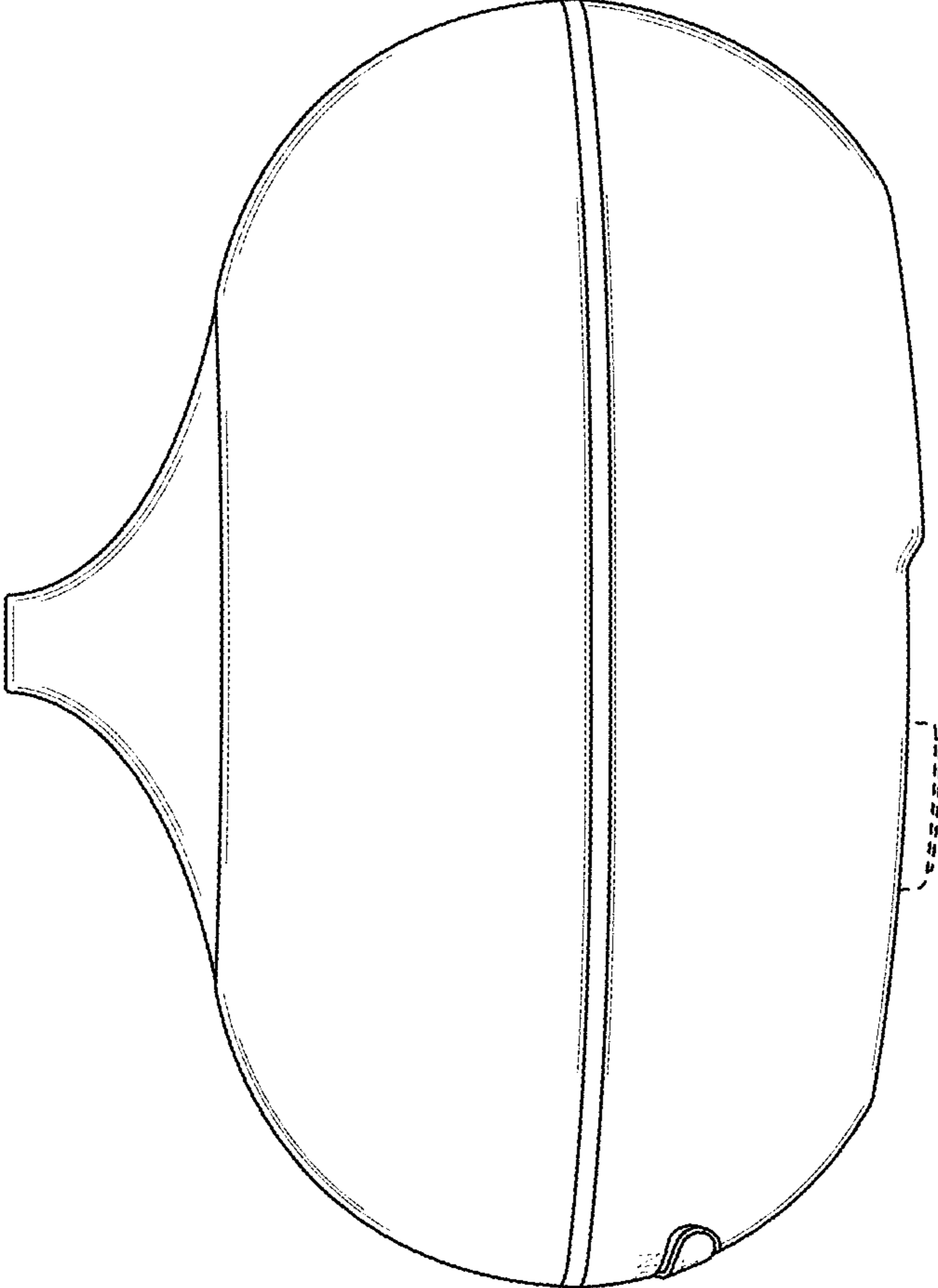


FIG. 4

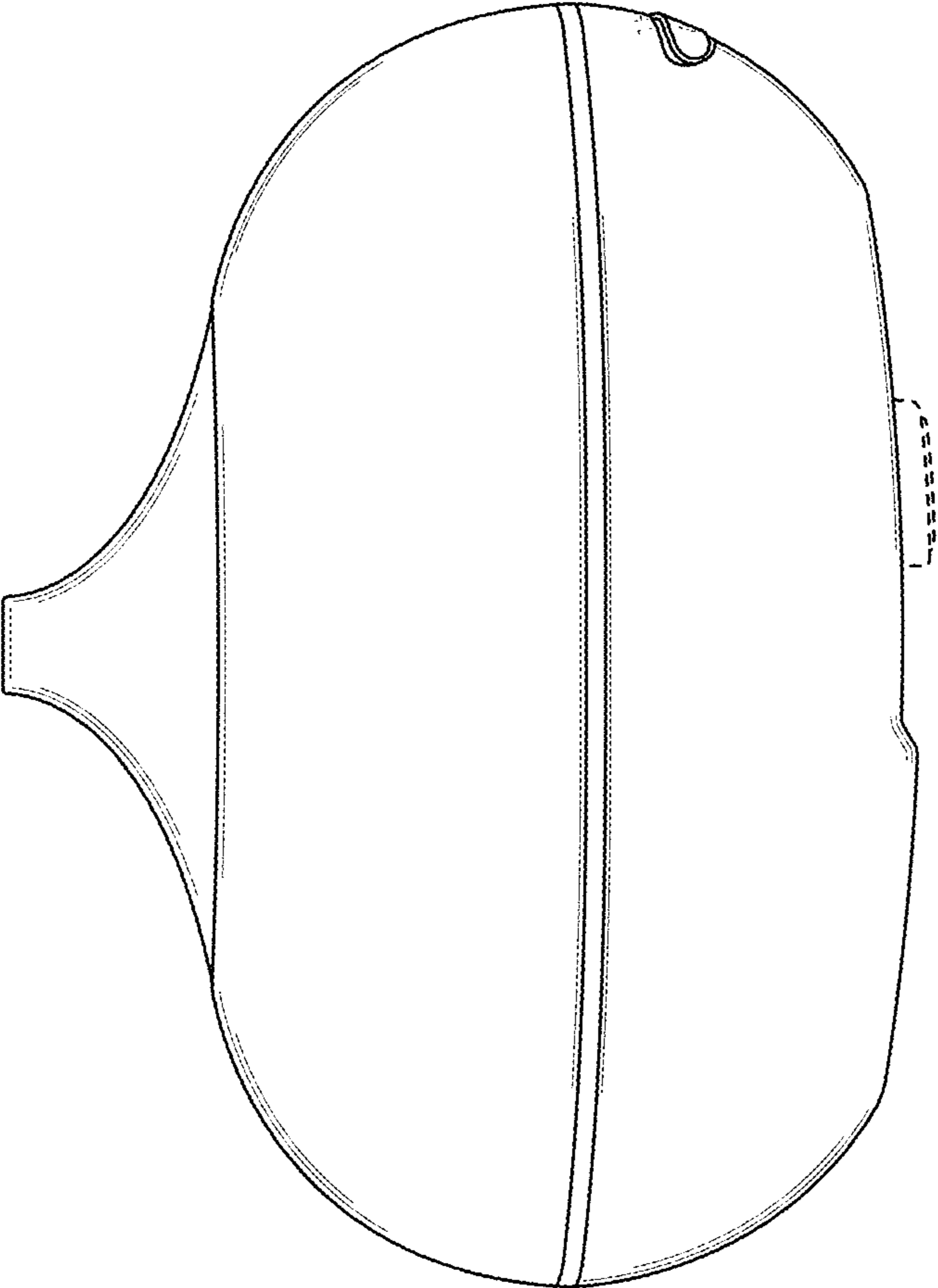


FIG. 5

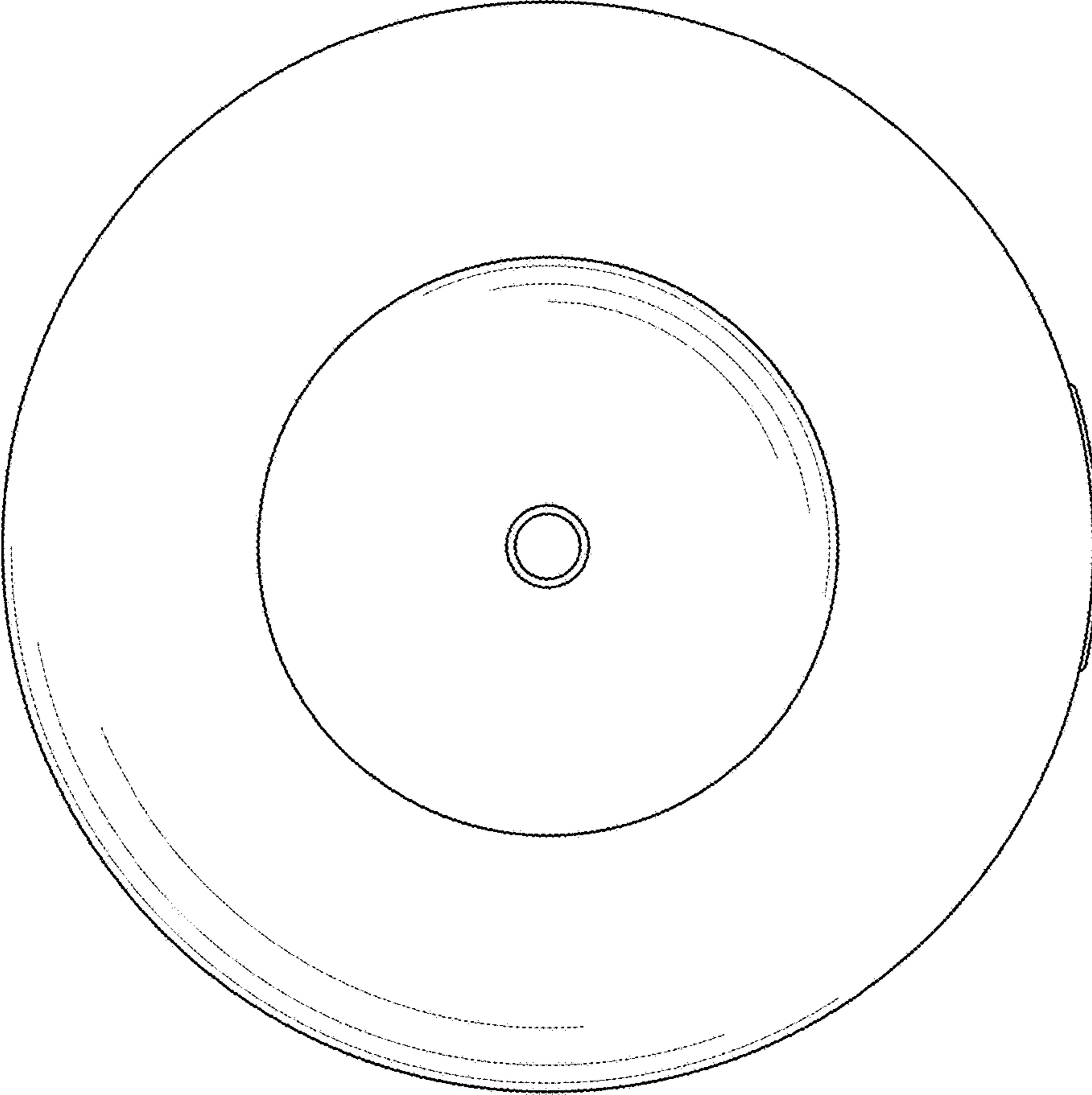


FIG. 6

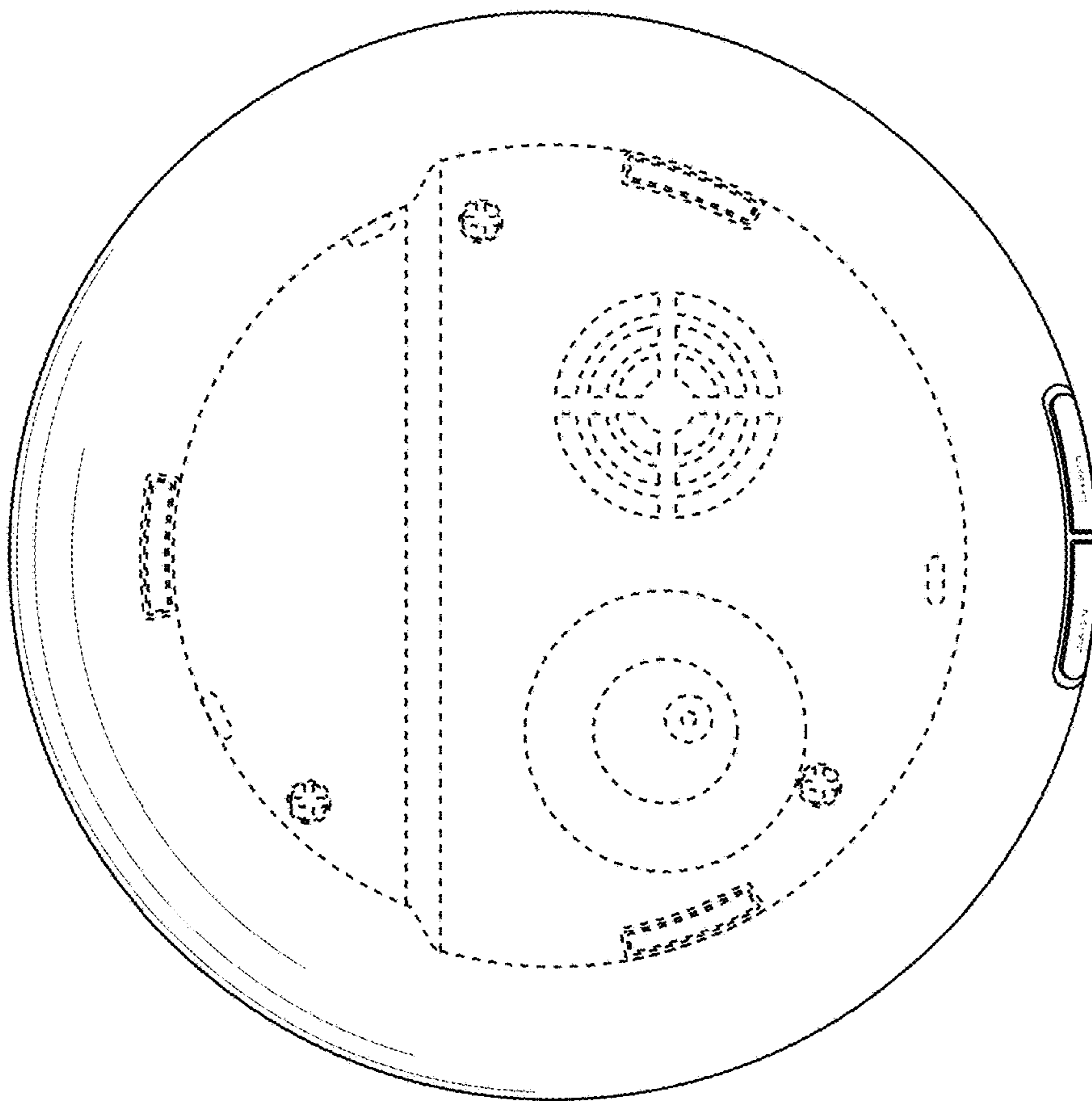


FIG. 7