



US00D810260S

(12) **United States Design Patent** (10) **Patent No.:** **US D810,260 S**
Sevy (45) **Date of Patent:** **** Feb. 13, 2018**

(54) **CIRCULAR, CYLINDRICAL, DROP-IN, MODULAR DIFFUSER**

5,201,641 A 4/1993 Richer
5,248,448 A 9/1993 Waldron et al.
5,549,247 A 8/1996 Rossman et al.
5,687,710 A 11/1997 Ambrosio et al.

(71) Applicant: **Earl Vaughn Sevy**, Cedar City, UT (US)

(Continued)

(72) Inventor: **Earl Vaughn Sevy**, Cedar City, UT (US)

FOREIGN PATENT DOCUMENTS

(**) Term: **15 Years**

CA 2519809 A1 * 10/2004 A61L 9/042
DE 202013105614 U1 * 2/2014 A61L 9/03

(Continued)

(21) Appl. No.: **29/548,696**

OTHER PUBLICATIONS

(22) Filed: **Dec. 16, 2015**

Tetra Whisper Aquarium Air Pump 300, Aquarium Guys, Oct. 8, 2008 p. 1, <http://www.aquariumguys.com/tetraairpump4.html>.

(51) **LOC (11) Cl.** **23-04**

(Continued)

(52) **U.S. Cl.**
USPC **D23/366**

(58) **Field of Classification Search**
USPC D23/356-369, 209, 213, 316, 341, 354, D23/386, 388, 308; D9/432, 435, 553, D9/561, 769, 770; D32/31; 261/DIG. 17, DIG. 42, DIG. 65, DIG. 88, 261/DIG. 89; D26/51; D7/300, 309
CPC A61L 9/00; A61L 9/02; A61L 9/03; A61L 9/032; A61L 9/035; A61L 9/037; A61L 9/04; A61L 9/12; A61L 9/122; A61L 9/125; A61L 9/127; A61L 9/14; B05B 7/06; B05B 7/30; B05B 7/32; B05B 1/28; B01B 17/04; E21B 43/00; E21B 43/34; E21B 43/38; A01K 63/04; A01K 63/047; A61M 11/00

See application file for complete search history.

Primary Examiner — Sheryl Lane
Assistant Examiner — Samantha N Wood
(74) *Attorney, Agent, or Firm* — Pate Baird, PLLC

(57) **CLAIM**

The ornamental design for the circular, cylindrical, drop-in, modular diffuser, as shown and described.

DESCRIPTION

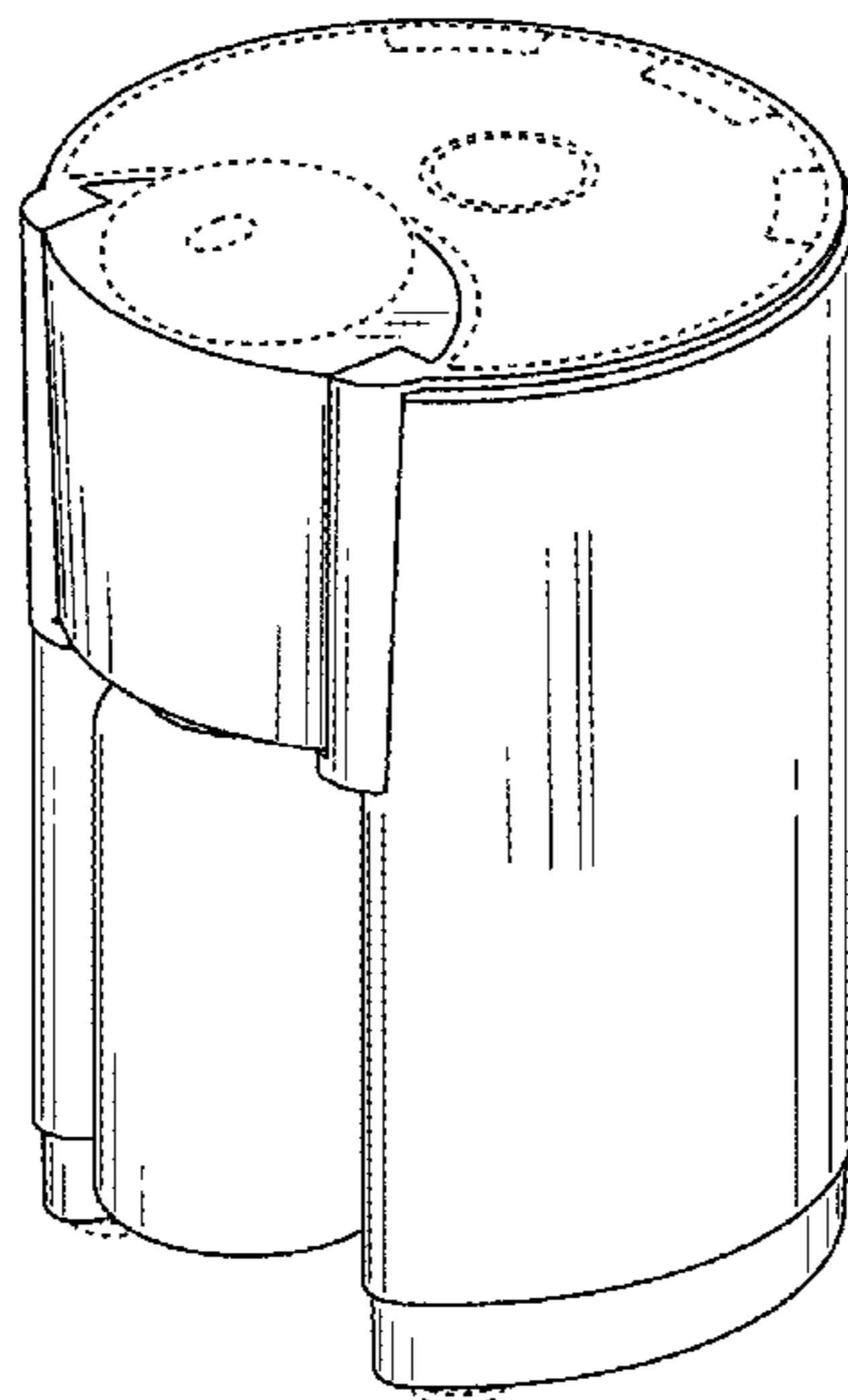
FIG. 1 is a frontal perspective view of a circular, cylindrical, drop-in, modular diffuser;
FIG. 2 is a rear perspective view thereof;
FIG. 3 is a front elevation view thereof;
FIG. 4 is a rear elevation view thereof;
FIG. 5 is a left side elevation view thereof;
FIG. 6 is a right side elevation view thereof;
FIG. 7 is a top plan view thereof; and
FIG. 8 is a bottom plan view thereof.
The broken lines showing portions of the circular, cylindrical, drop-in, modular diffuser are included for the purpose of illustrating portions of the article and form no part of the claimed design.

(56) **References Cited**

U.S. PATENT DOCUMENTS

2,826,454 A 3/1958 Coanda
3,515,966 A 6/1970 De Valroger et al.
3,641,757 A 2/1972 Rehn
4,235,611 A 11/1980 Brownell
4,243,396 A 1/1981 Cronenberg
D285,606 S * 9/1986 Christopherson D23/209
5,137,432 A 8/1992 Tsai

1 Claim, 3 Drawing Sheets



(56)

References Cited

U.S. PATENT DOCUMENTS

5,875,774 A 3/1999 Clementi et al.
 5,922,247 A 7/1999 Shoham et al.
 6,036,108 A * 3/2000 Chen B65D 83/262
 222/402.13
 6,168,392 B1 1/2001 Takano
 6,217,281 B1 4/2001 Jeng et al.
 6,364,637 B1 4/2002 Hase et al.
 6,669,176 B2 12/2003 Rock
 D491,259 S 6/2004 Garrison et al.
 D491,258 S 7/2004 Sevy
 D492,020 S 7/2004 Sevy
 D493,874 S * 8/2004 Woods D23/364
 D509,893 S 9/2005 Sevy
 6,968,069 B1 11/2005 Zhao
 D520,129 S 5/2006 Sevy
 D526,710 S 7/2006 Sevy
 D546,768 S * 7/2007 Sengupta D13/133
 7,407,118 B2 8/2008 Sevy
 D606,643 S * 12/2009 Butler D23/366
 7,712,683 B2 5/2010 Robert et al.
 D627,188 S * 11/2010 Picozza D7/306
 7,930,068 B2 4/2011 Robert et al.
 D697,605 S * 1/2014 Anderson, Jr. D23/399
 D700,692 S * 3/2014 Engelhardt D23/360
 D716,427 S * 10/2014 Lim D23/364
 D737,788 S * 9/2015 Leung D14/125
 D737,789 S * 9/2015 Leung D14/125
 2006/0115386 A1 * 6/2006 Michaels A01M 1/205
 422/123
 2007/0163577 A1 * 7/2007 Van Roemburg B05B 7/0012
 128/200.23
 2008/0283049 A1 11/2008 Mahoney et al.
 2009/0218417 A1 * 9/2009 Douglas B05B 7/2408
 239/313
 2014/0036475 A1 * 2/2014 Gaines A61L 9/03
 362/96
 2014/0224897 A1 * 8/2014 Garagnon A61L 2/00
 239/43

FOREIGN PATENT DOCUMENTS

GB 2485280 A * 5/2012 A61L 9/015
 JP 2001046920 9/2002
 WO WO 2006058433 A1 * 6/2006 A61L 2/00
 WO WO 2012009017 A1 * 1/2012 A61L 9/037

OTHER PUBLICATIONS

Optima Air Pump A807, Aquarium Guys, Oct. 8, 2008, p. 1, <http://www.aquariumguys.com/optimaairpump.html>.
 Silent Air X-4 Air Pump, Aquarium Guys, Oct. 8, 2008, p. 1, <http://www.aquariumguys.com/silentairpump4.html>.
 Whisper 60 Aquarium Air Pump, Aquarium Guys, Oct. 8, 2008, p. 1, <http://www.aquariumguys.com/tetra-whisper60-air-pump.html>.
 Rena Air 400 Air Pump 702E, Aquarium Guys, Oct. 8, 2008, p. 1, <http://www.aquariumguys.com/renairpump4.html>.
 Tom Stellar Air Pumps S-30, Fish Tanks Direct, Oct. 8, 2008, p. 1, <http://www.fishtanksdirect.com/index.asp?PageAction=VIEWPROD&ProdID=2102>.
 Aroma-Globe™ Essential Oil Diffuser/Nebulizer Diffuser World, Oct. 8, 2008, p. 1 <http://www.diffuserworld.com/aromaglobATM-essential-oil-diffusernebulizer-p-10.html>.
 Nebulizing Diffuser, Betterherbs, Oct. 8, 2008, <http://betterherbs.serrahost.com/Detail.bok?no=397>.
 Auroma Nebulizer for the House, Shop.com, Oct. 8, 2008, p. 1 http://www.shop.com/Auroma_Nebulizer_for_the_House_diffuser-46805905-p!.shtml.
 Aura Cacia Electric Diffuser House Model, Shop.com, Oct. 8, 2008, p. 1, http://www.shop.com/Aura_Cacia_Electric_Diffuser_House_Model_diffuser-46805768-p!.shtml.
 Essential Air Room Diffusers, Leyden House, Oct. 8, 2008, p. 1. <http://www.air-aroma.com/diffusers>, Mar. 21, 2013.
<http://www.air-aroma.com/diffusers>, Mar. 21, 2013.
http://www.prolitec.com/appliances_commercial.htm, Mar. 21, 2013.
<http://scentair.com/why-scentair-solutions/>, Mar. 21, 2013.
<http://www.brandaroma.com/products/>, Mar. 21, 2013.
<http://www.e2aroma.com/appliances/smart-air-maxi/>, Mar. 21, 2013.
<http://www.scentaustralia.com.au/index.php/products/scent-diffuser-zephyr>, Mar. 21, 2013.
<http://www.voitair.com/scent-systems>, Mar. 21, 2013.
<http://www.fragrancemachine.com/>, Mar. 21, 2013.

* cited by examiner

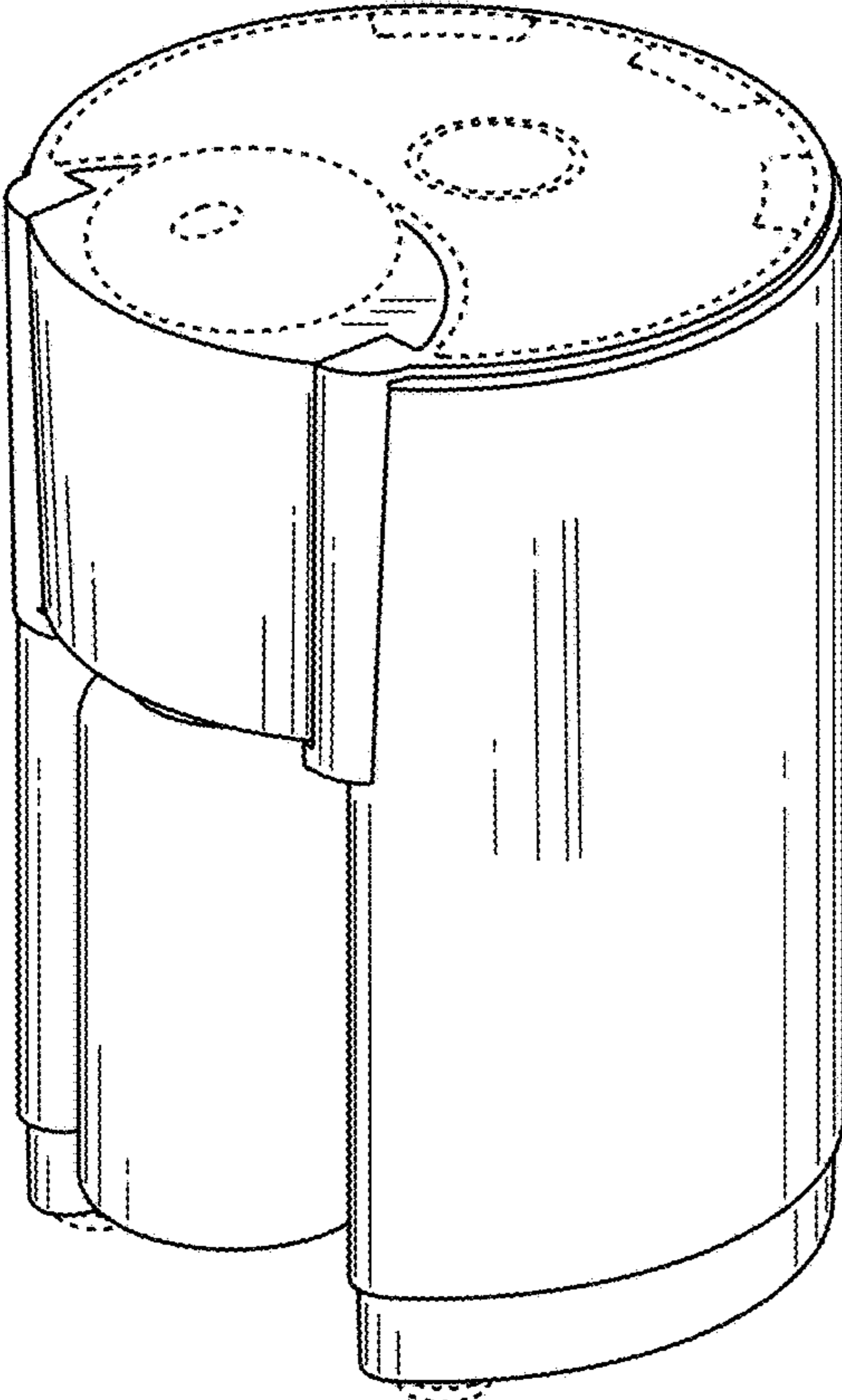


FIG. 1

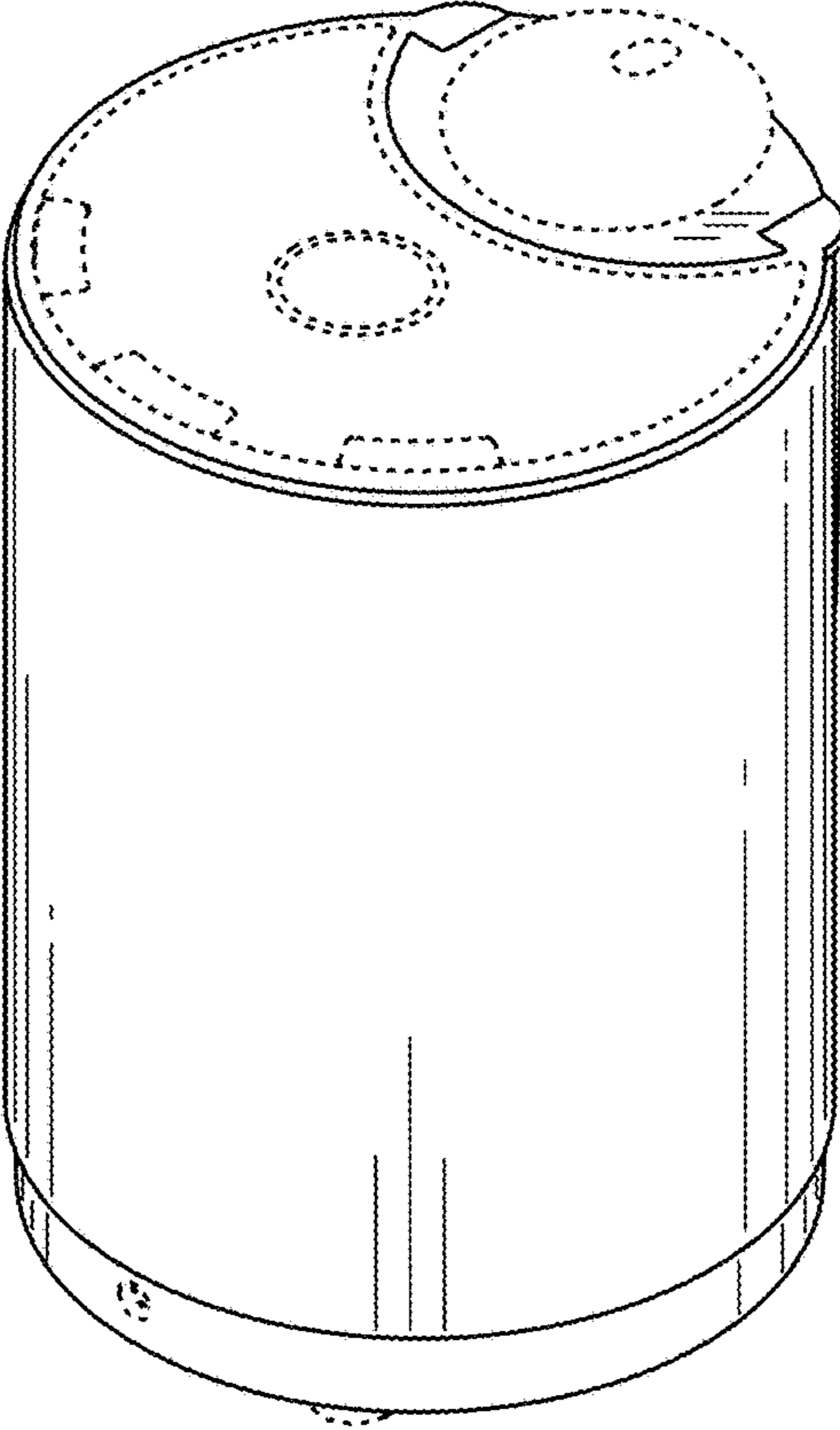


FIG. 2

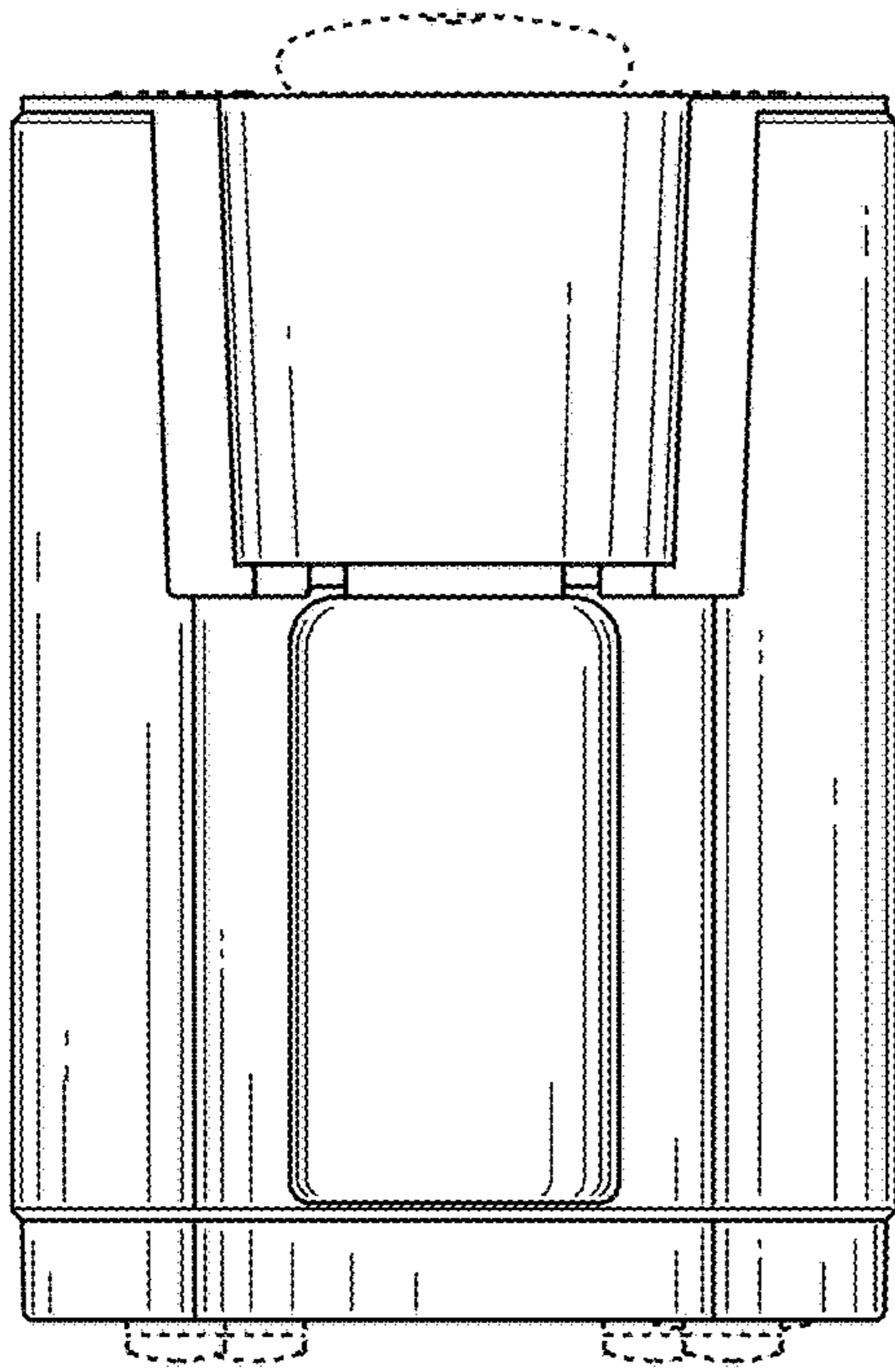


FIG. 3

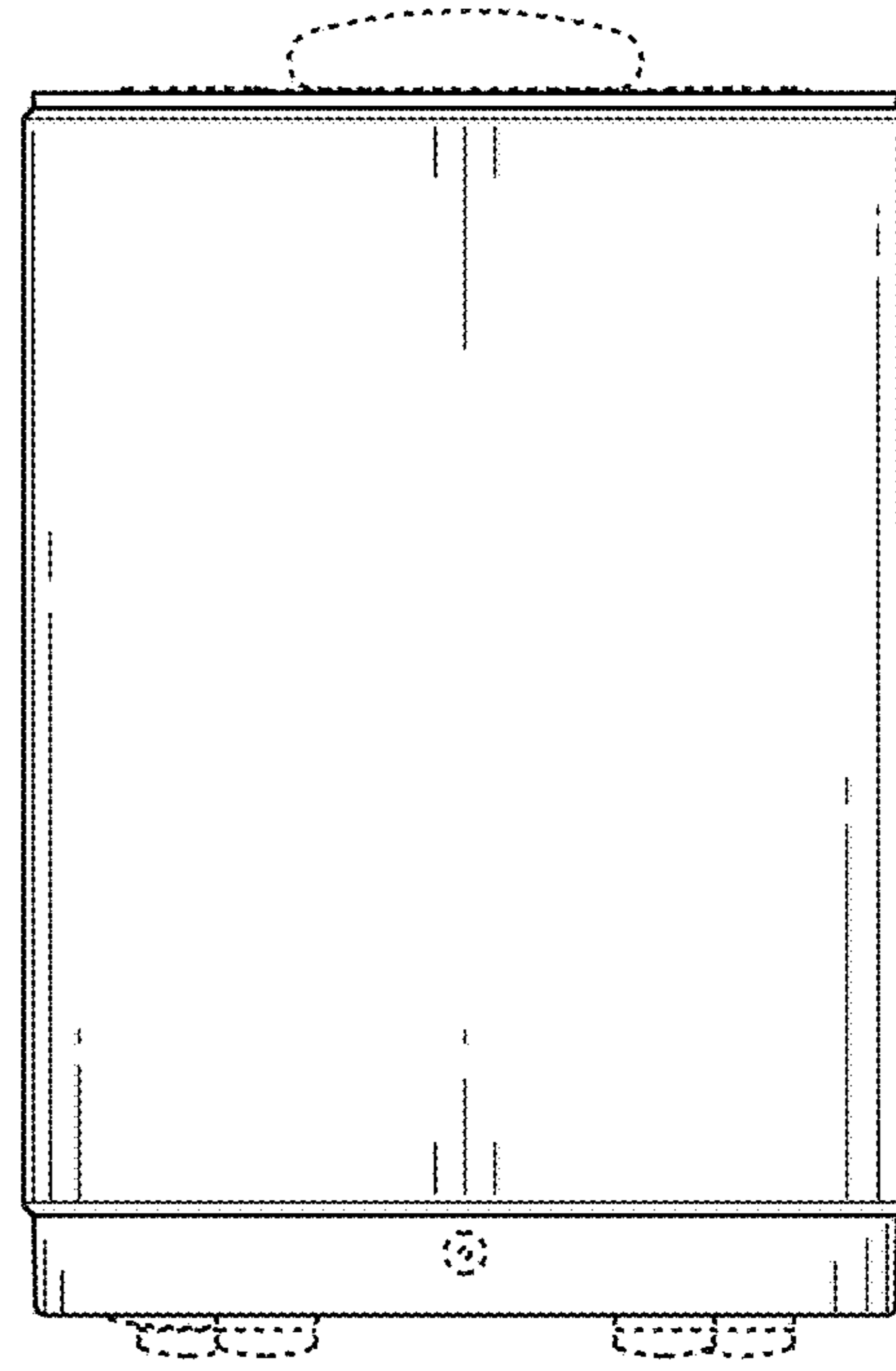


FIG. 4

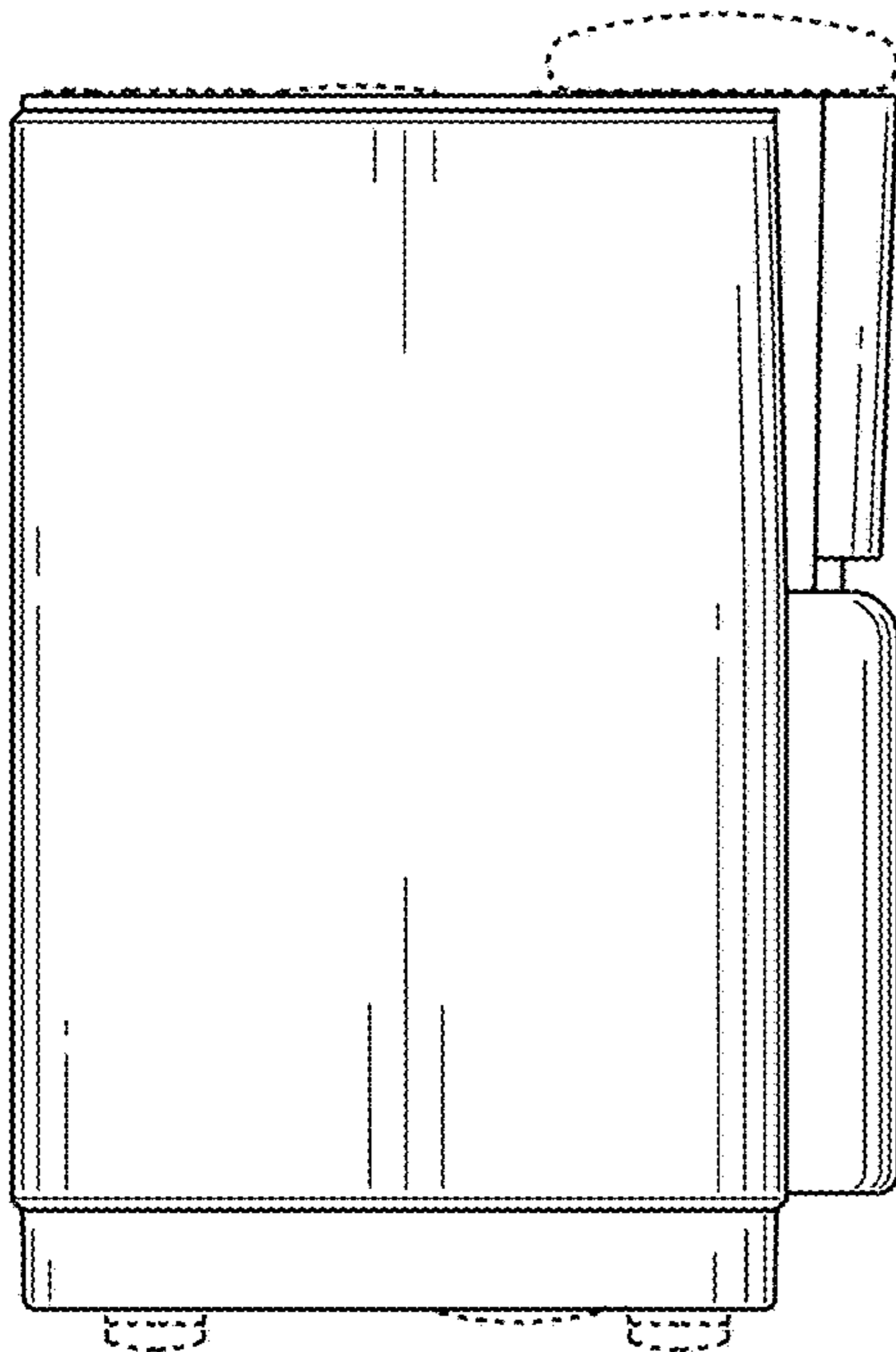


FIG. 5

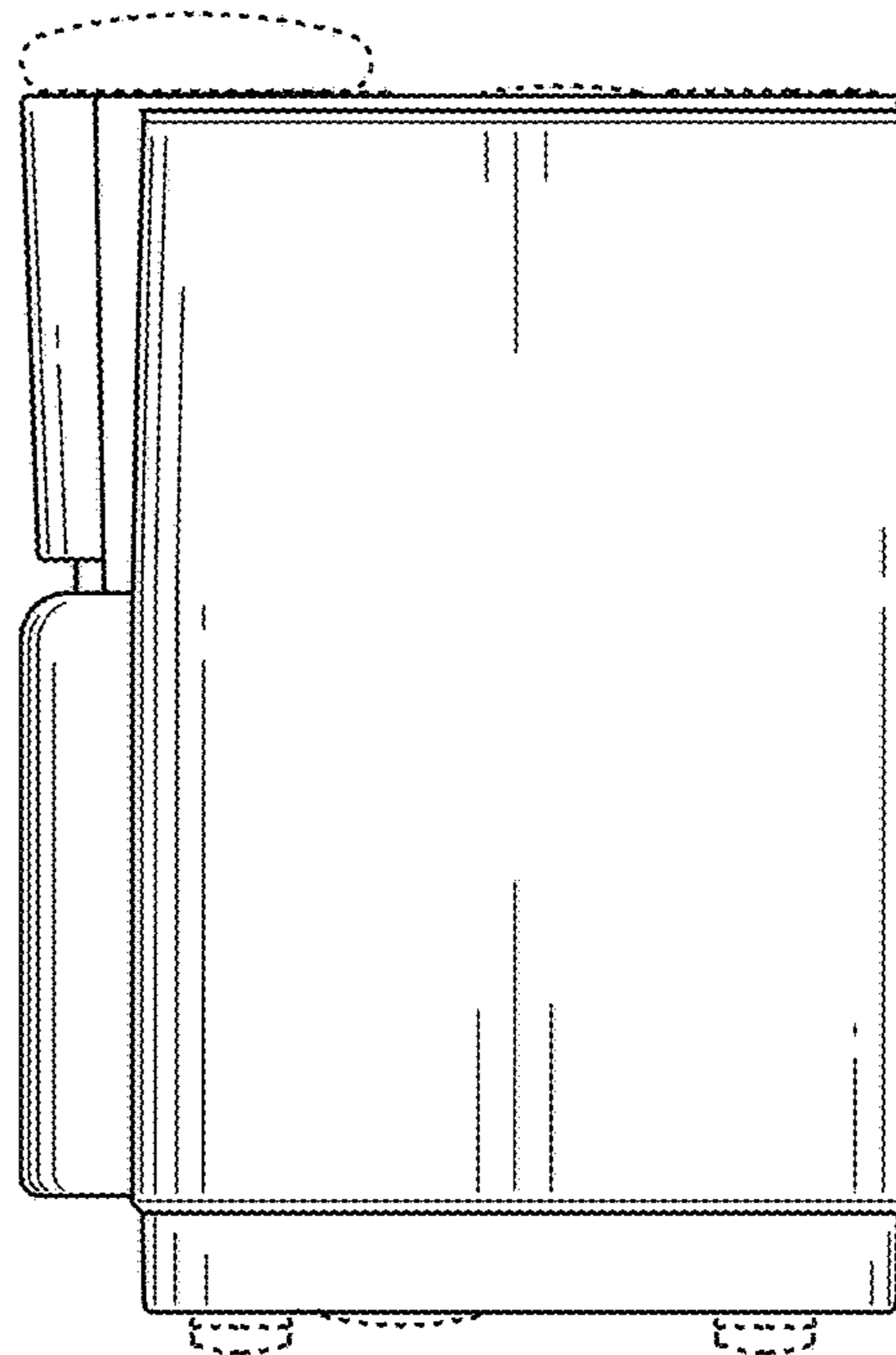


FIG. 6

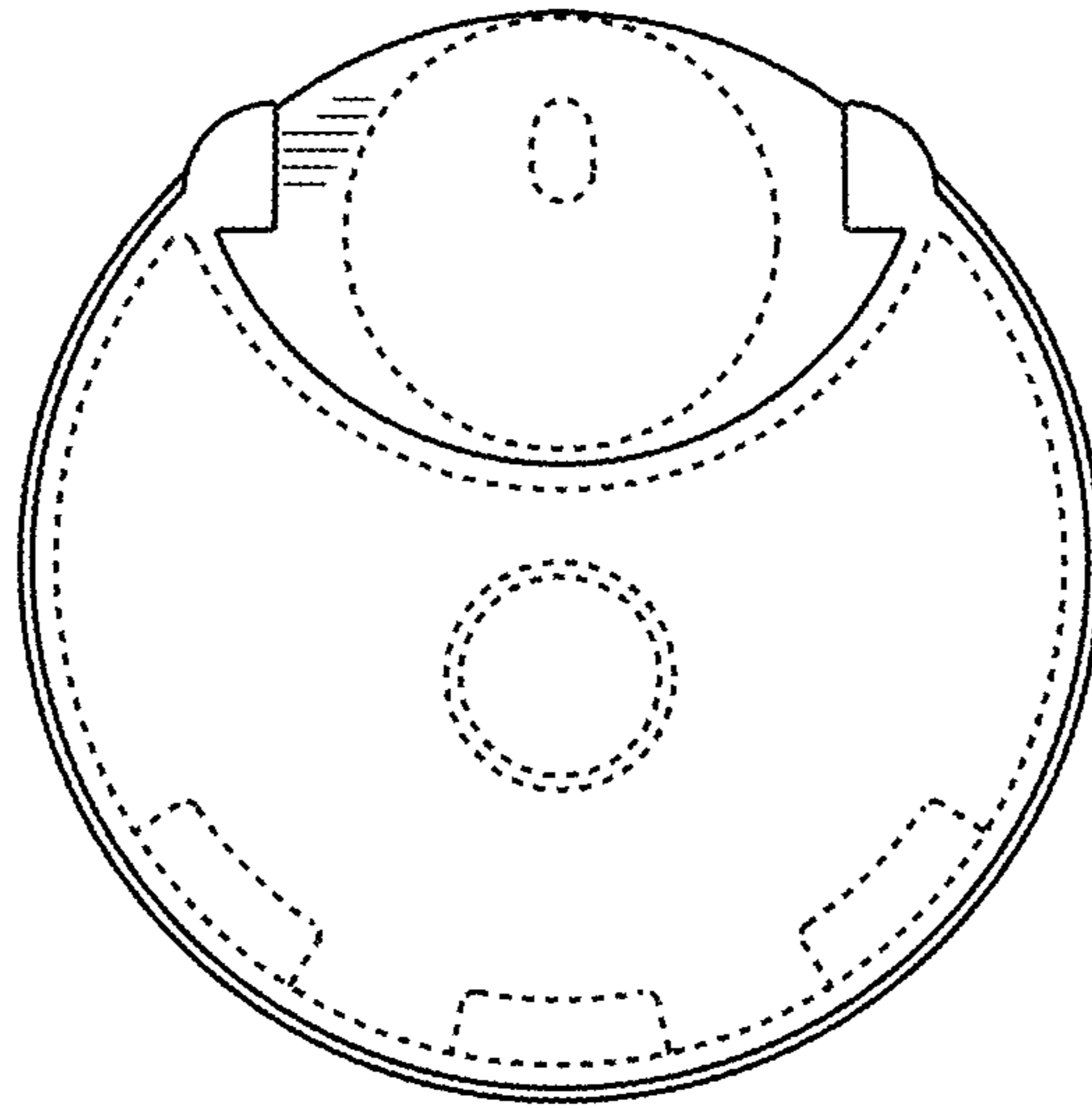


FIG. 7

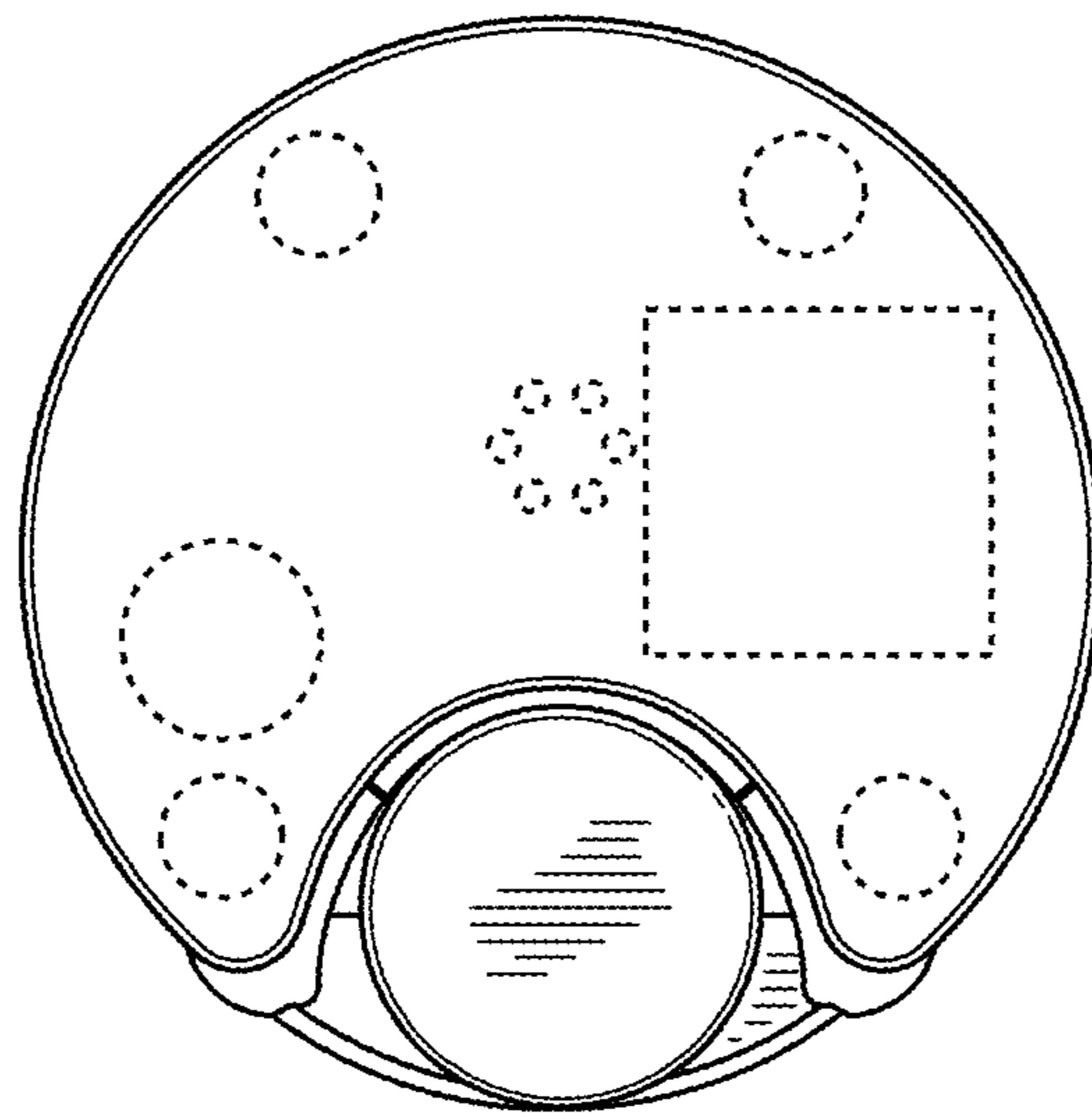


FIG. 8