



US00D810257S

(12) **United States Design Patent**  
**Lai et al.**

(10) **Patent No.:** **US D810,257 S**  
(45) **Date of Patent:** **\*\* Feb. 13, 2018**

- (54) **PANEL OF AIR CONDITIONER**
- (71) Applicant: **Delta Electronics, Inc.**, Taoyuan (TW)
- (72) Inventors: **Pin-Chen Lai**, Taoyuan (TW);  
**Chao-Hsien Chan**, Taoyuan (TW);  
**Chih-Hsiang Chang**, Taoyuan (TW);  
**Yuan-Ping Hsieh**, Taoyuan (TW)
- (73) Assignee: **DELTA ELECTRONICS, INC.**,  
Taoyuan (TW)
- (\*\*) Term: **15 Years**
- (21) Appl. No.: **29/585,804**

- (22) Filed: **Nov. 29, 2016**
- (51) **LOC (11) Cl.** ..... **23-04**
- (52) **U.S. Cl.**  
USPC ..... **D23/354**
- (58) **Field of Classification Search**  
USPC ..... D23/354-366, 352, 369, 332, 333, 335,  
D23/336, 342, 351; 422/120, 122;  
55/356, 473, 504; 96/97; 261/DIG. 17,  
261/DIG. 65, DIG. 88, DIG. 31  
CPC ..... A61L 9/22; B01D 47/027; B01D 2221/02;  
B01D 2259/4508; B03C 3/155; F24F  
13/20; F24F 13/222  
See application file for complete search history.

(56) **References Cited**

**U.S. PATENT DOCUMENTS**

4,932,988	A *	6/1990	Lutterbach	.....	B01D 46/00 55/356
D680,636	S *	4/2013	Ching	.....	D23/356
8,496,881	B2 *	7/2013	Pohl	.....	A01M 1/2061 422/120
D696,760	S *	12/2013	Wolf, II	.....	D23/364

D698,016	S *	1/2014	Hurley	.....	D23/364
D713,516	S *	9/2014	Belozerova	.....	D23/366
D725,760	S *	3/2015	Nakagawa	.....	D23/365
9,476,603	B2 *	10/2016	Lu	.....	F24F 6/00
D775,715	S *	1/2017	Kim	.....	D23/351
D777,891	S *	1/2017	Kubota	.....	D23/351
D784,503	S *	4/2017	Eicher	.....	D23/351
D786,416	S *	5/2017	Alvise	.....	D23/359
D791,295	S *	7/2017	Wetzel	.....	D23/351

\* cited by examiner

*Primary Examiner* — David G Muller

(74) *Attorney, Agent, or Firm* — Chun-Ming Shih; HDLS IPR Services

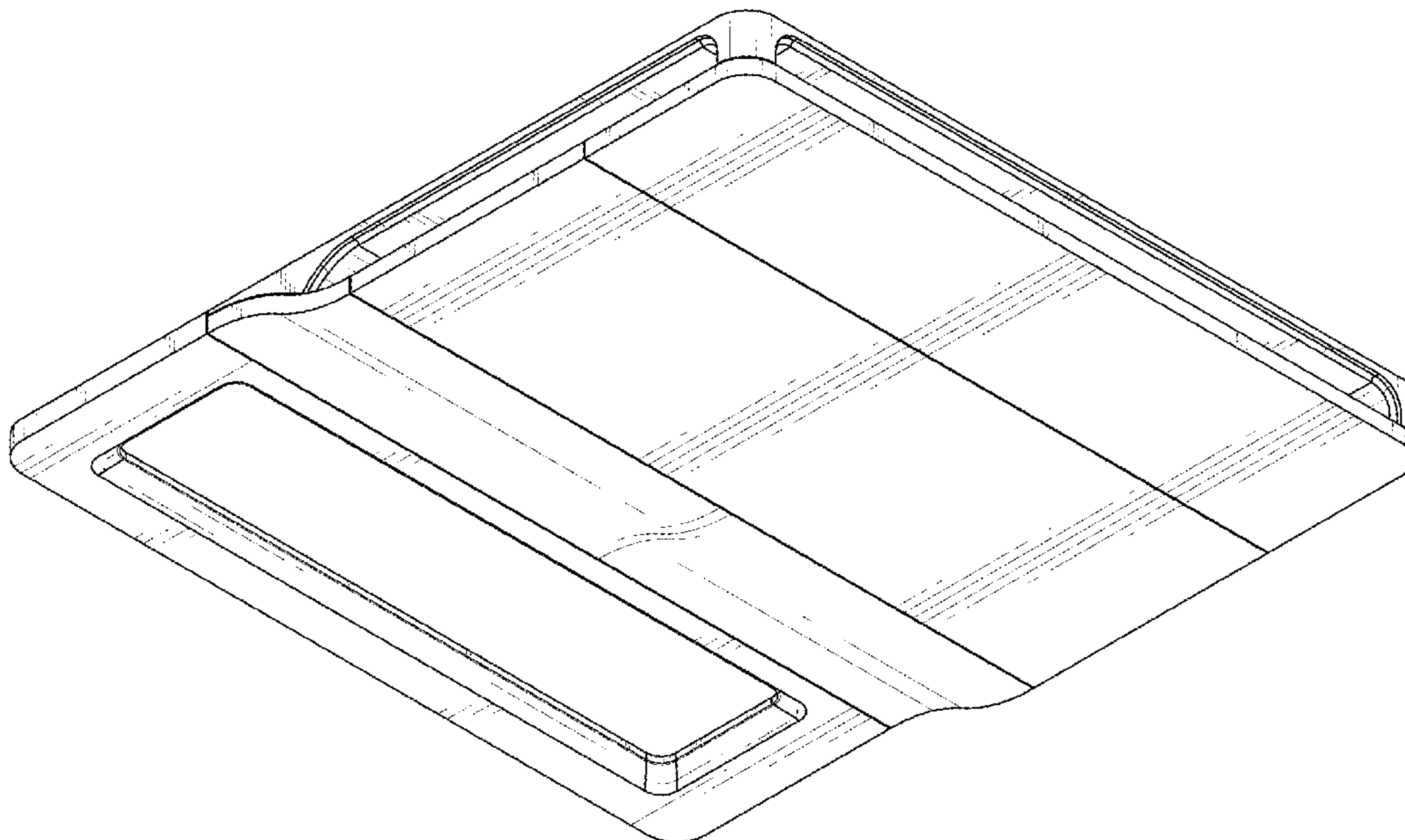
(57) **CLAIM**

The ornamental design for a panel of air conditioner, as shown and described.

**DESCRIPTION**

FIG. 1 is a perspective view of a panel of air conditioner showing our new design;  
 FIG. 2 is a front view thereof;  
 FIG. 3 is a rear view thereof;  
 FIG. 4 is a left side view thereof;  
 FIG. 5 is a right side view thereof;  
 FIG. 6 is a top view thereof;  
 FIG. 7 is a bottom view thereof;  
 FIG. 8 is a perspective view showing the panel of air conditioner in use; and,  
 FIG. 9 is second perspective view showing the panel of air conditioner in use.  
 The broken lines shown represent unclaimed subject matter and form no part of the claimed design.

**1 Claim, 7 Drawing Sheets**



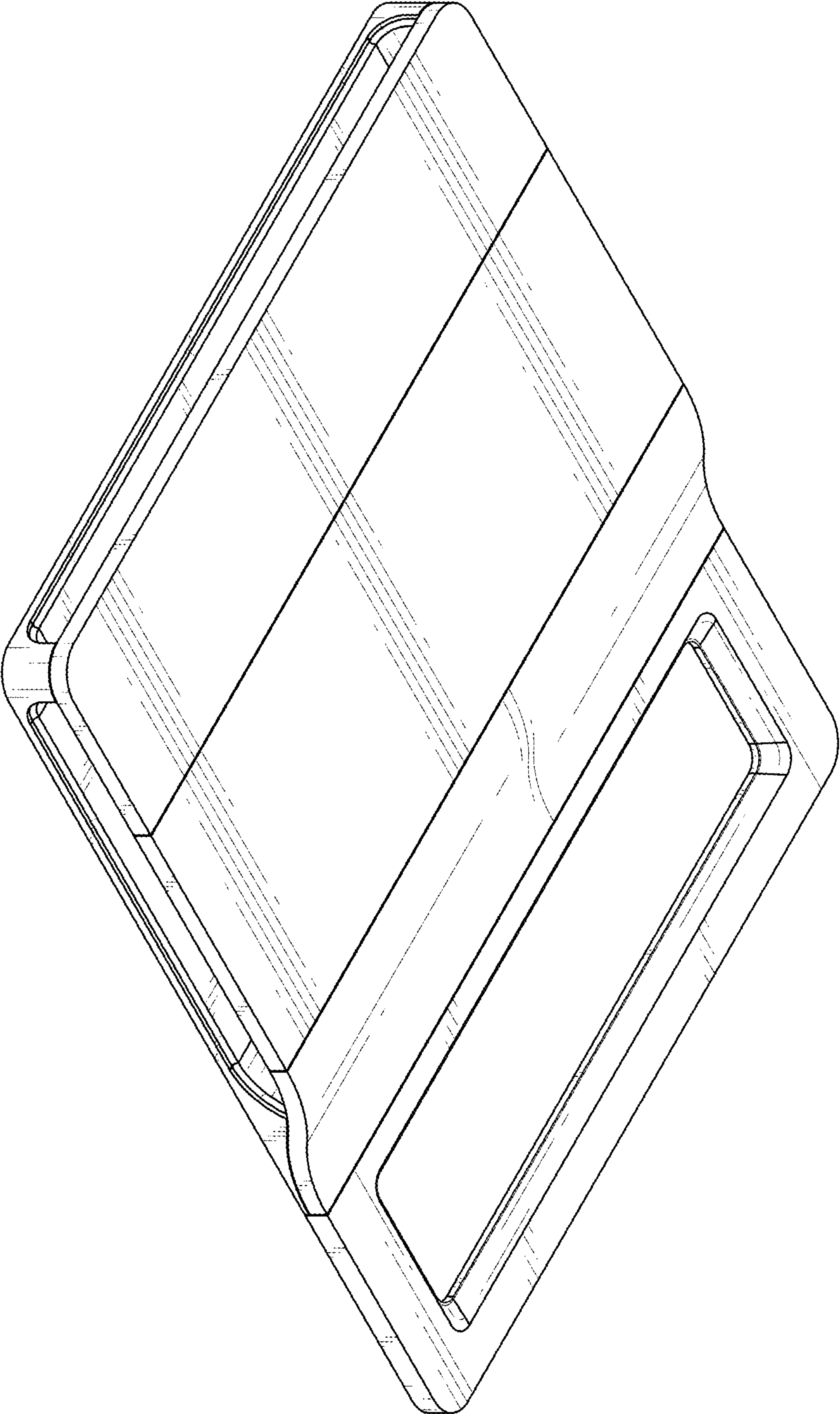


FIG.1

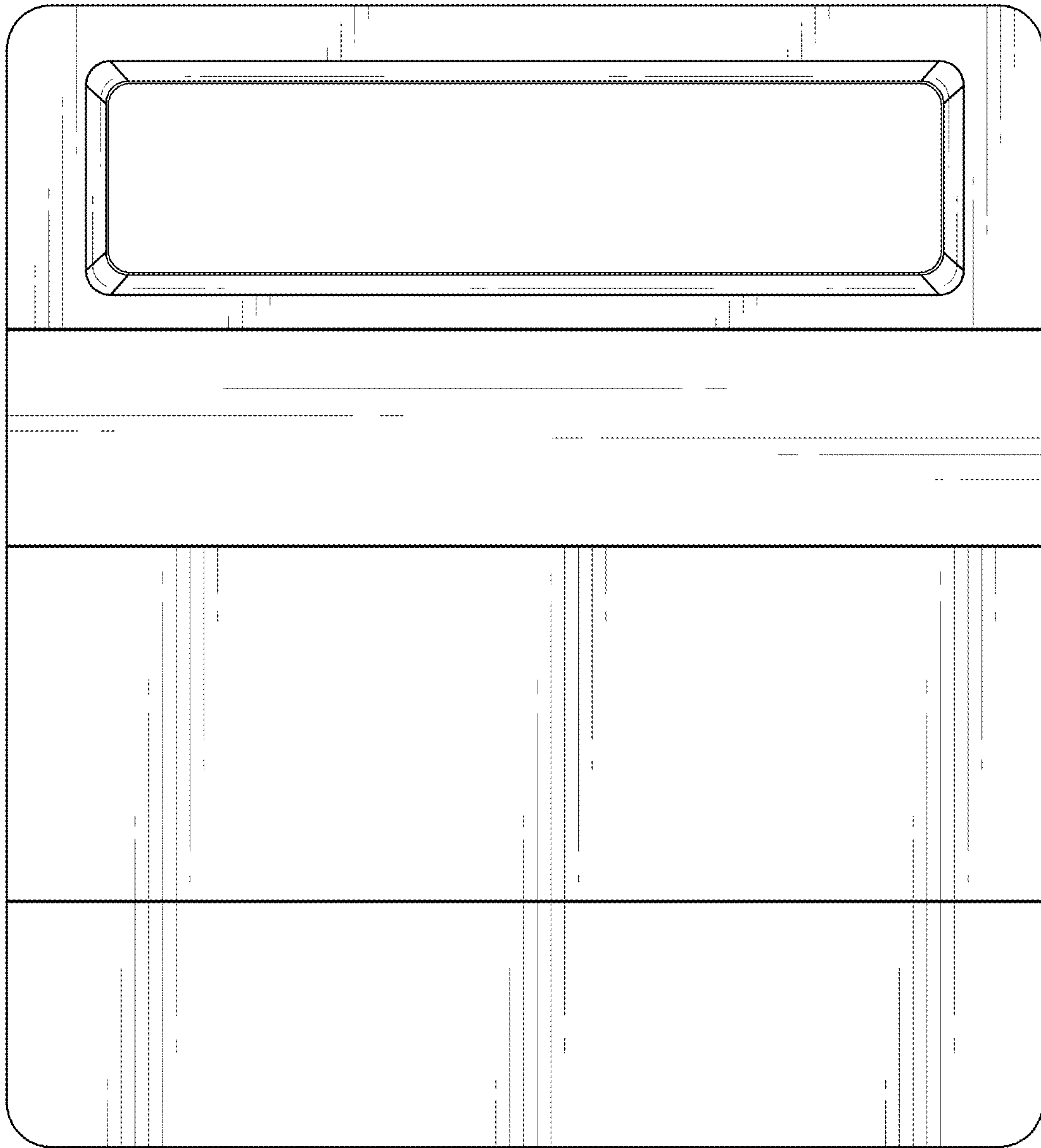


FIG.2

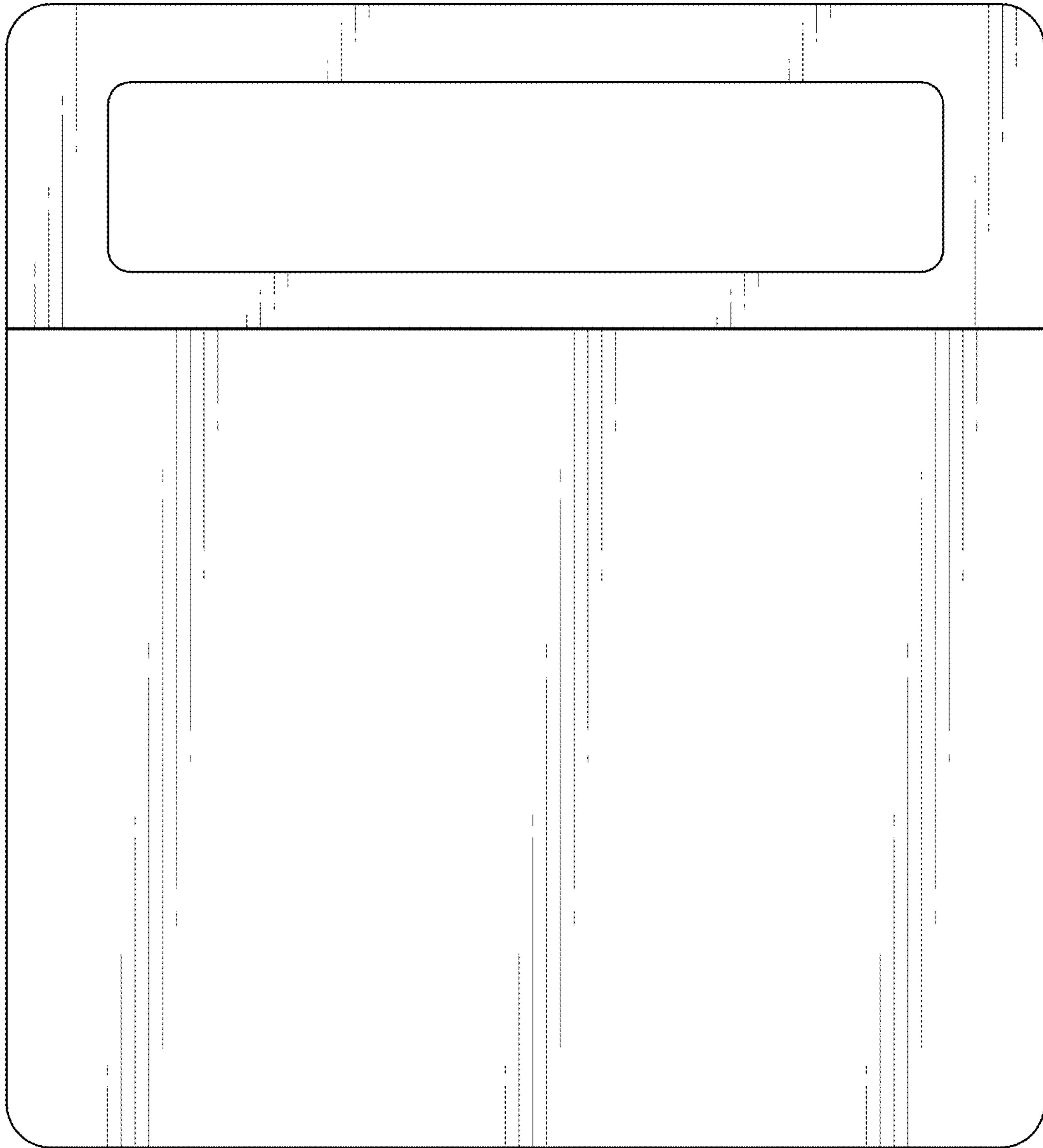


FIG.3

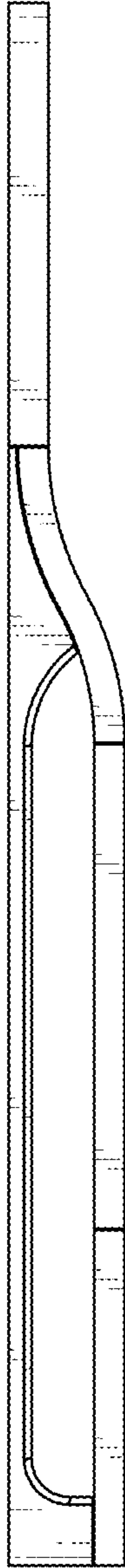


FIG. 4

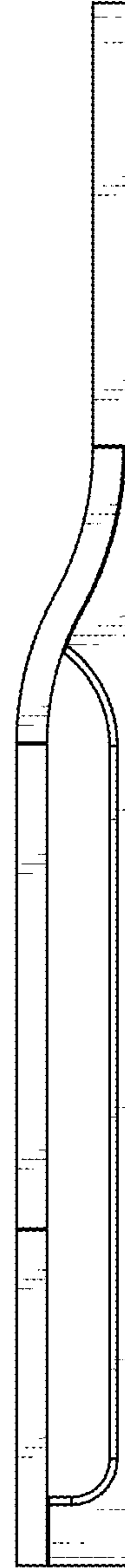


FIG. 5



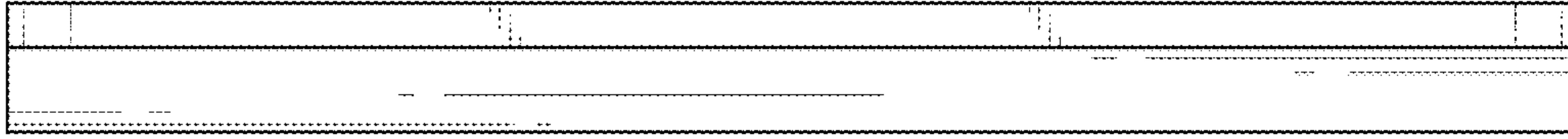


FIG. 6

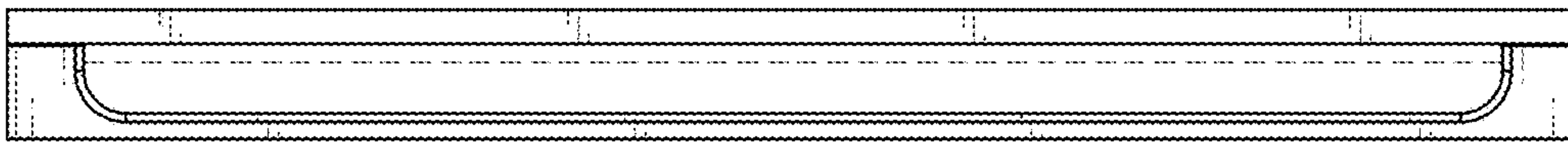


FIG. 7

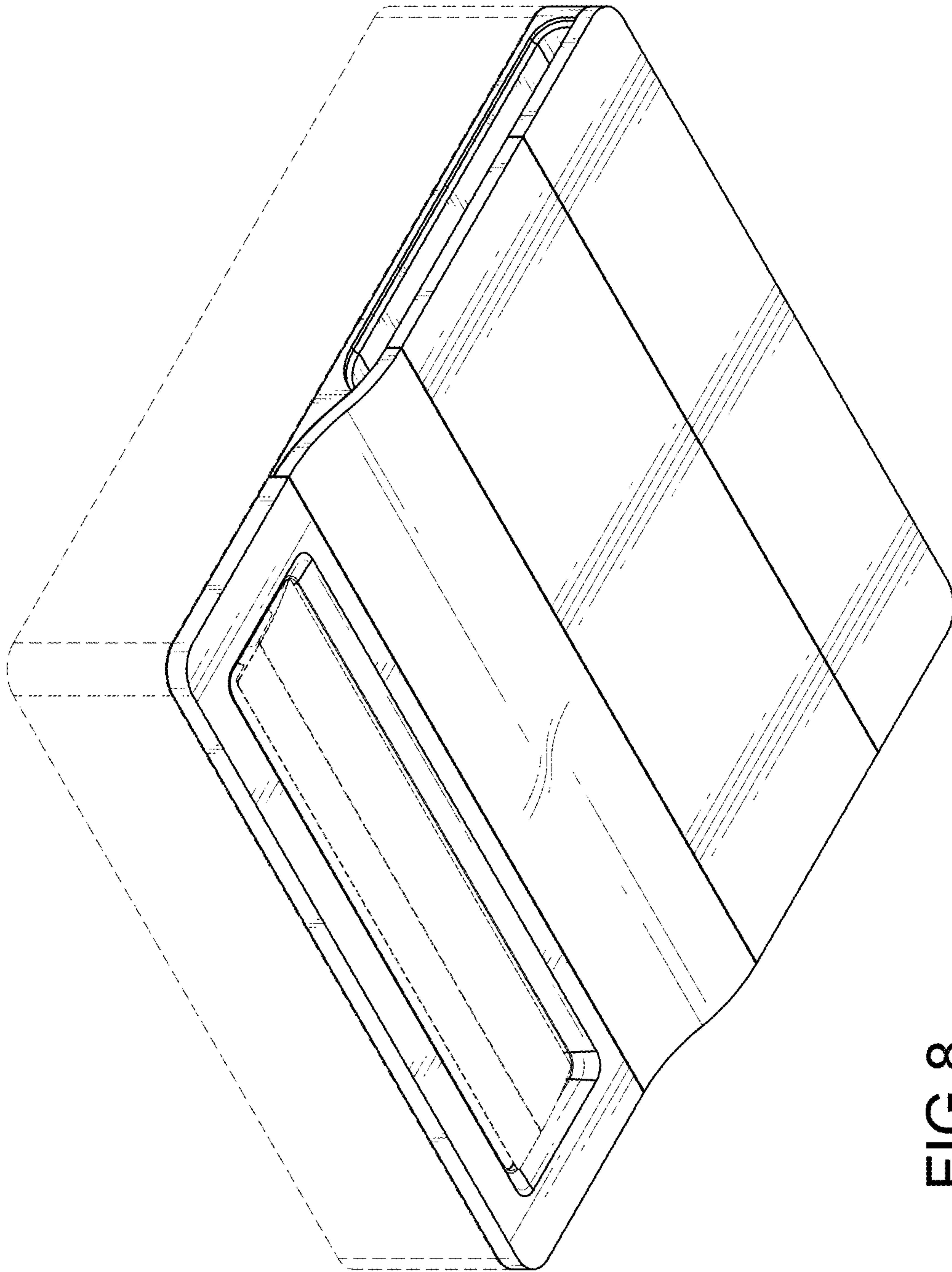


FIG.8

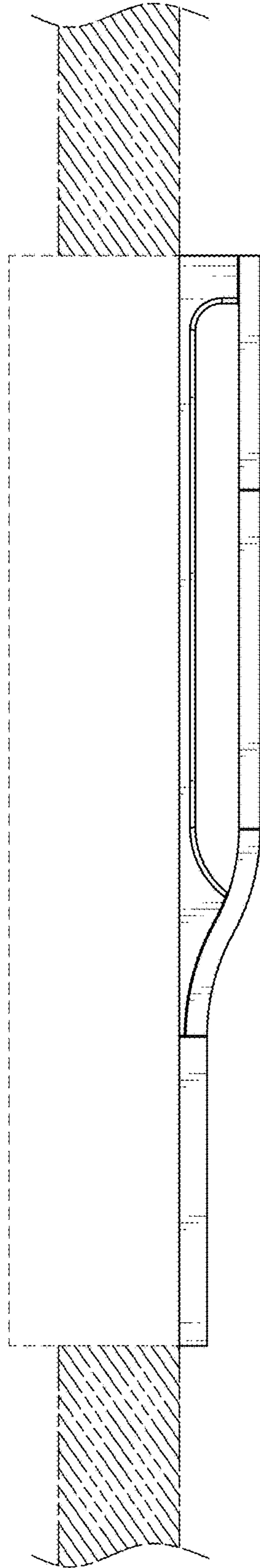


FIG.9