



US00D810251S

(12) **United States Design Patent**
Yamashita

(10) **Patent No.:** **US D810,251 S**

(45) **Date of Patent:** **** Feb. 13, 2018**

- (54) **PANEL FOR AIR-CONDITIONER**
- (71) Applicant: **Mana Yamashita**, Osaka (JP)
- (72) Inventor: **Mana Yamashita**, Osaka (JP)
- (73) Assignee: **DAIKIN INDUSTRIES LTD.**,
Osaka-Shi, Osaka-Fu (JP)
- (**) Term: **15 Years**
- (21) Appl. No.: **29/598,306**
- (22) Filed: **Mar. 24, 2017**
- (30) **Foreign Application Priority Data**
Sep. 30, 2016 (JP) 2016-021133
- (51) **LOC (11) Cl.** **23-04**
- (52) **U.S. Cl.**
USPC **D23/351**
- (58) **Field of Classification Search**
USPC D23/333, 335, 341, 342, 351, 353, 354,
D23/355, 356, 359, 364, 365, 370, 385,
D23/386, 388, 393
CPC F24F 1/00; F24F 1/0007; F24F 1/02; F24F
1/08; F24F 1/42; F24F 1/56; F24F 1/60;
F24F 3/044; F24F 3/048; F24F 3/16;
F24F 7/00; F24F 7/04; F24F 12/001;
F24F 12/006
See application file for complete search history.

- (56) **References Cited**
U.S. PATENT DOCUMENTS
D295,313 S * 4/1988 Barnett D12/183
D502,255 S * 2/2005 Kim D23/351
D557,781 S * 12/2007 Kim D23/351

D558,864 S *	1/2008	Yoo	D23/351
D560,787 S *	1/2008	Yoo	D23/351
D606,641 S *	12/2009	Kim	D23/351
7,651,390 B1 *	1/2010	Profeta	F24F 13/06 454/284
7,665,238 B2 *	2/2010	Majerowski	A01M 1/2055 293/44
D621,492 S *	8/2010	Tanaka	D23/351
D621,921 S *	8/2010	Ishida	D23/351
D627,043 S *	11/2010	Tanaka	D23/351
D726,295 S *	4/2015	Kim	D23/351
D755,944 S *	5/2016	Daniels	D23/373
D768,276 S *	10/2016	Kim	D23/354

* cited by examiner

Primary Examiner — George D. Kirschbaum
Assistant Examiner — Natasha Vujcic
(74) *Attorney, Agent, or Firm* — Manabu Kanesaka

(57) **CLAIM**

The ornamental design for panel for air-conditioner, as shown and described.

DESCRIPTION

FIG. 1 is a perspective view of a panel for air-conditioner showing my new design;
FIG. 2 is a front view thereof;
FIG. 3 is a rear view thereof;
FIG. 4 is a plan view thereof;
FIG. 5 is a bottom view thereof;
FIG. 6 is a left side view thereof;
FIG. 7 is a right side view thereof;
FIG. 8 is a cross-sectional view thereof along the line 8-8 in FIG. 2; and,
FIG. 9 is a perspective view thereof of used state.
The broken lines depict portions of the panel for air-conditioner that form no part of claimed design.

1 Claim, 3 Drawing Sheets

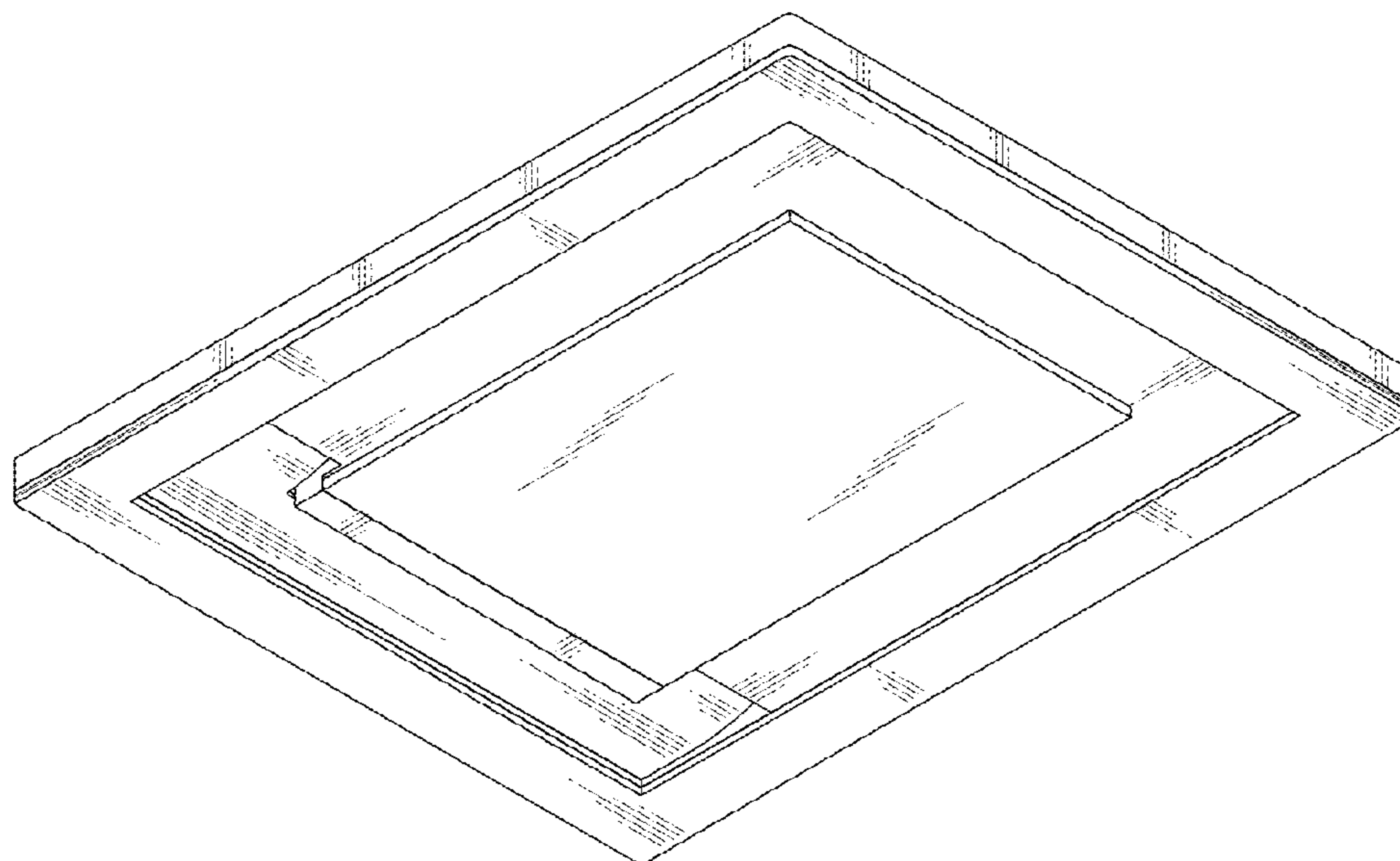


Fig. 1

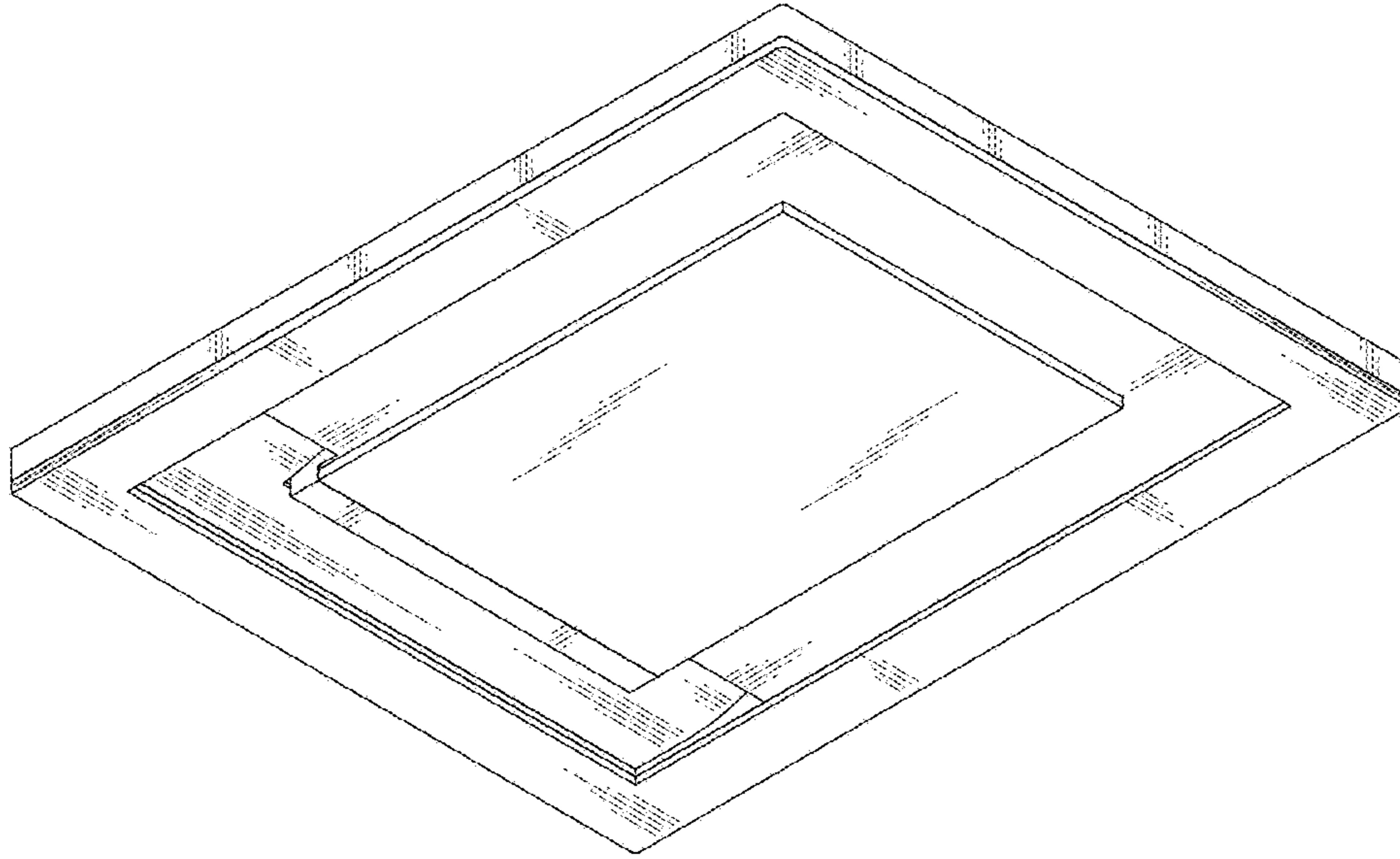


Fig. 2

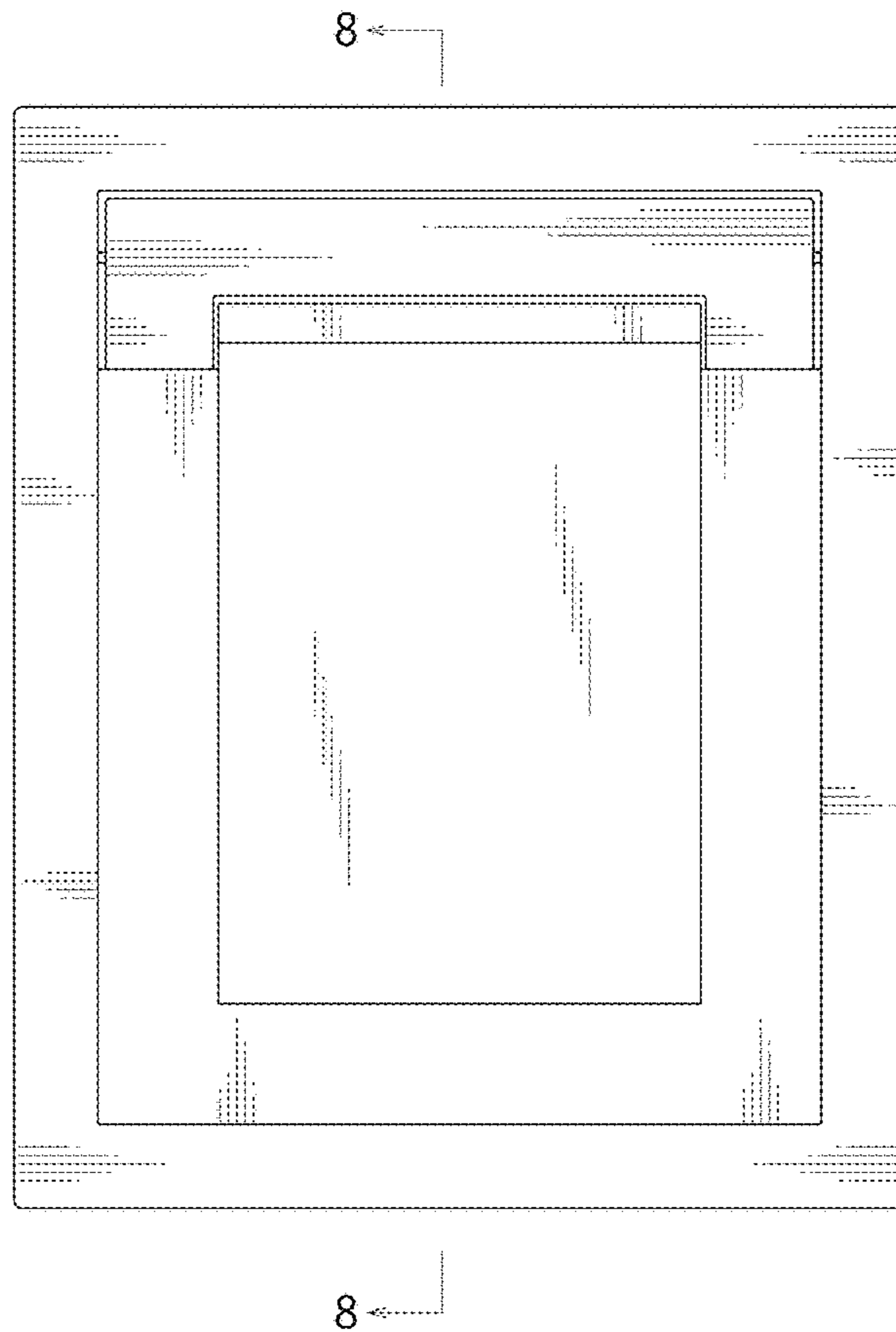


Fig.3

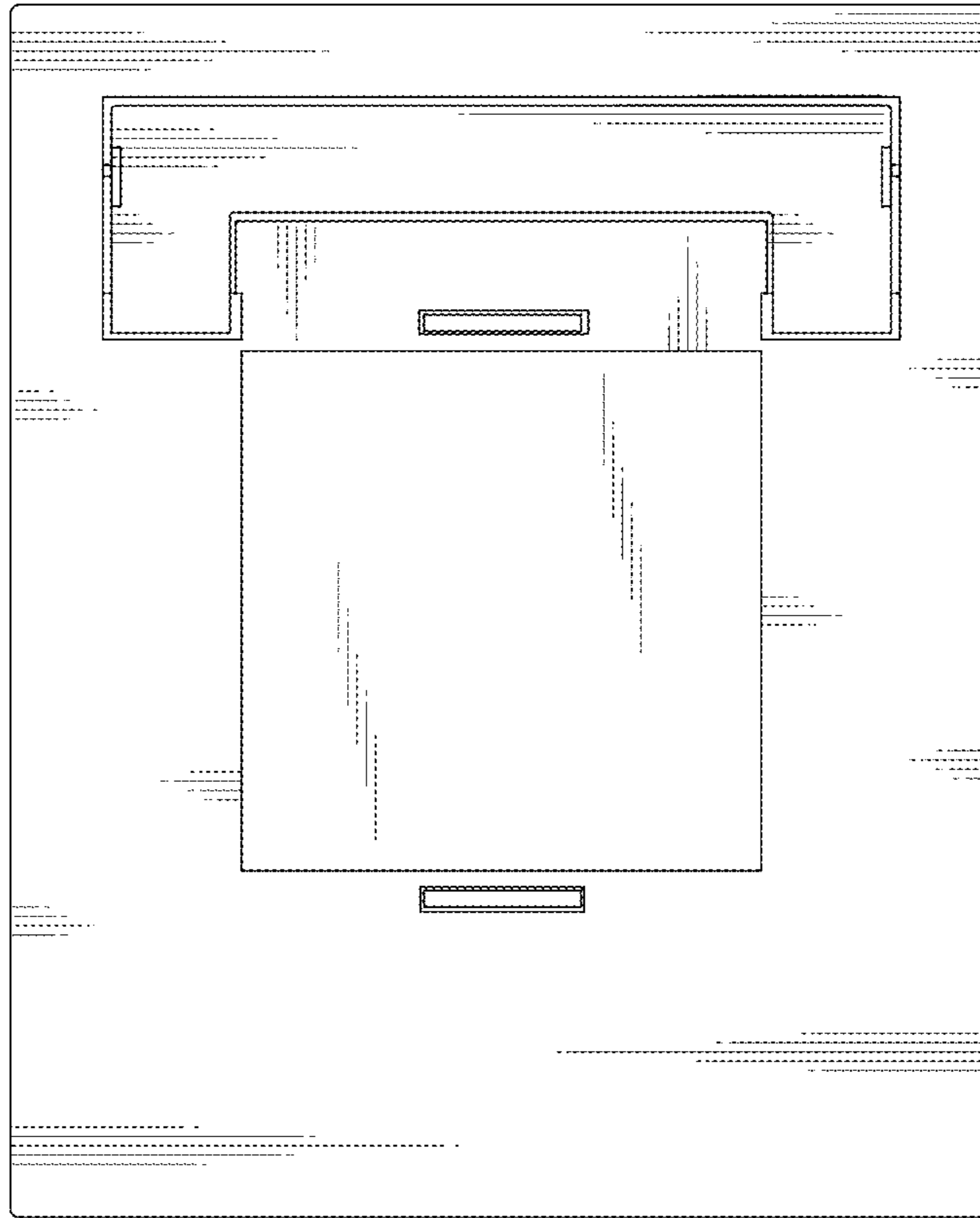


Fig.4

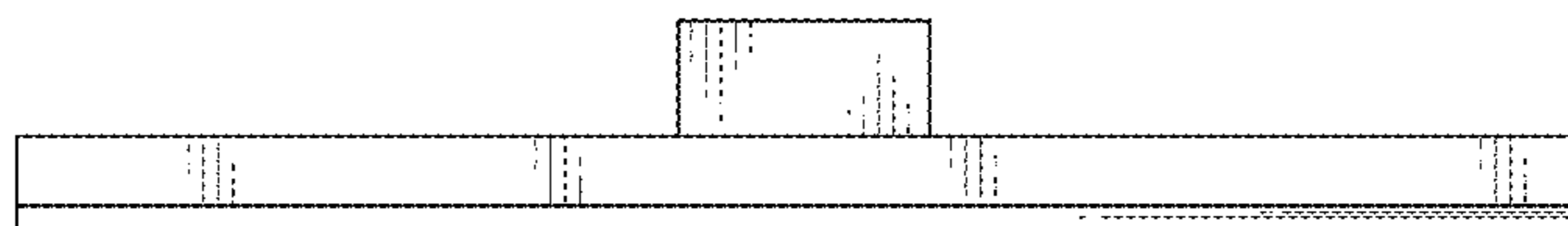


Fig.5

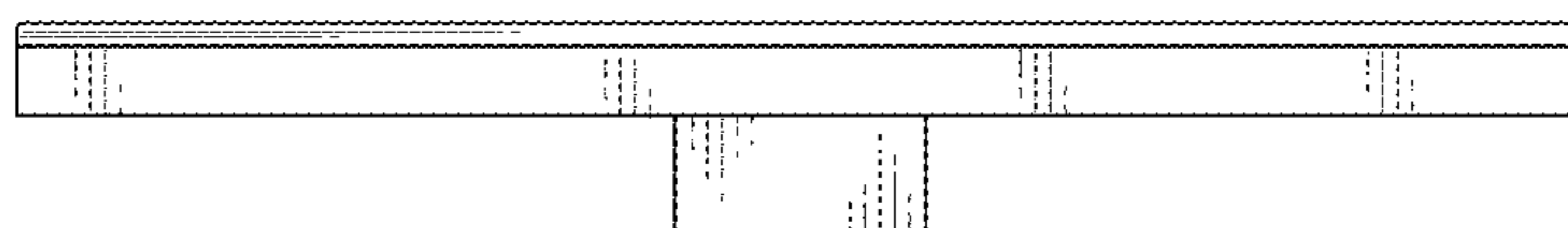


Fig.6

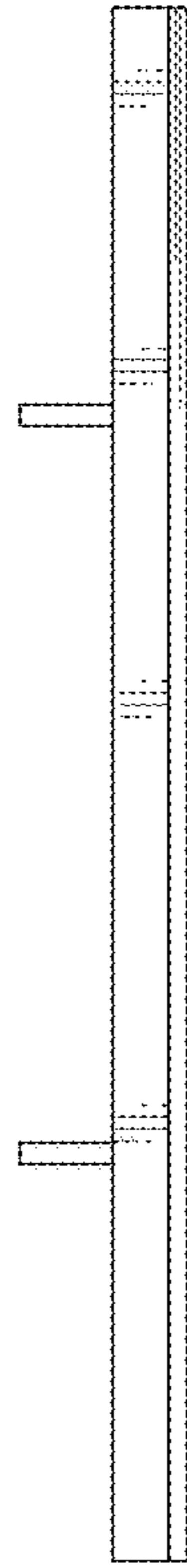


Fig.7

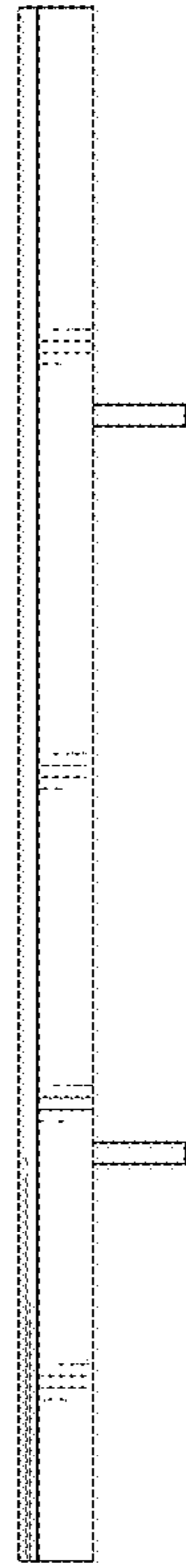


Fig.8

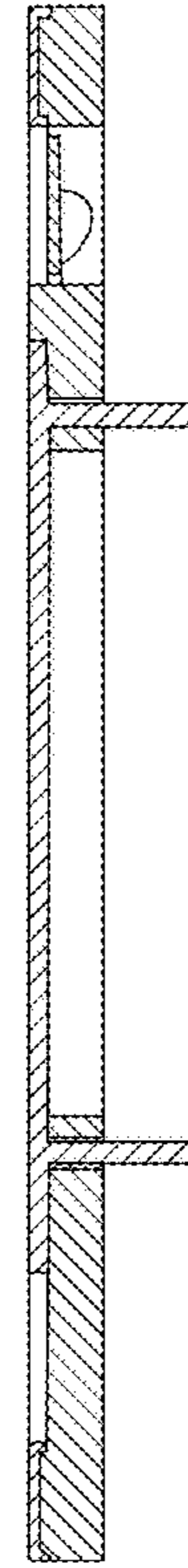


Fig.9

