



US00D810249S

(12) **United States Design Patent** (10) **Patent No.:** **US D810,249 S**
Belozerova et al. (45) **Date of Patent:** **** Feb. 13, 2018**

(54) **SINK**
(71) Applicant: **Zurn Industries, LLC**, Milwaukee, WI (US)

6,517,897 B1 2/2003 Bordener
D472,966 S 4/2003 Molinaro
D474,835 S 5/2003 Kahle et al.
(Continued)

(72) Inventors: **Vladlena Belozerova**, Philadelphia, PA (US); **Thomas W. Murray**, Philadelphia, PA (US); **Christopher J. Murray**, Philadelphia, PA (US)

FOREIGN PATENT DOCUMENTS

CA 2228101 A1 8/1998

(73) Assignee: **Zurn Industries, LLC**, Milwaukee, WI (US)

OTHER PUBLICATIONS

Zurn Sundara Sink found online [Aug. 2, 2017]—<http://www.zurn.com/products/finish-plumbing/handwashing-systems/z5002-02>.*

(**) Term: **15 Years**

Primary Examiner — Robert M. Spear

(21) Appl. No.: **29/579,530**

Assistant Examiner — John A Voytek

(22) Filed: **Sep. 30, 2016**

(74) *Attorney, Agent, or Firm* — Quarles & Brady LLP

(51) **LOC (11) Cl.** **23-02**

(57) **CLAIM**

(52) **U.S. Cl.**
USPC **D23/293.1**

The ornamental design for a sink, as shown and described.

(58) **Field of Classification Search**
USPC D23/284–293.1, 303, 308
CPC A47K 1/04; A47B 77/06; A47J 47/20
See application file for complete search history.

DESCRIPTION

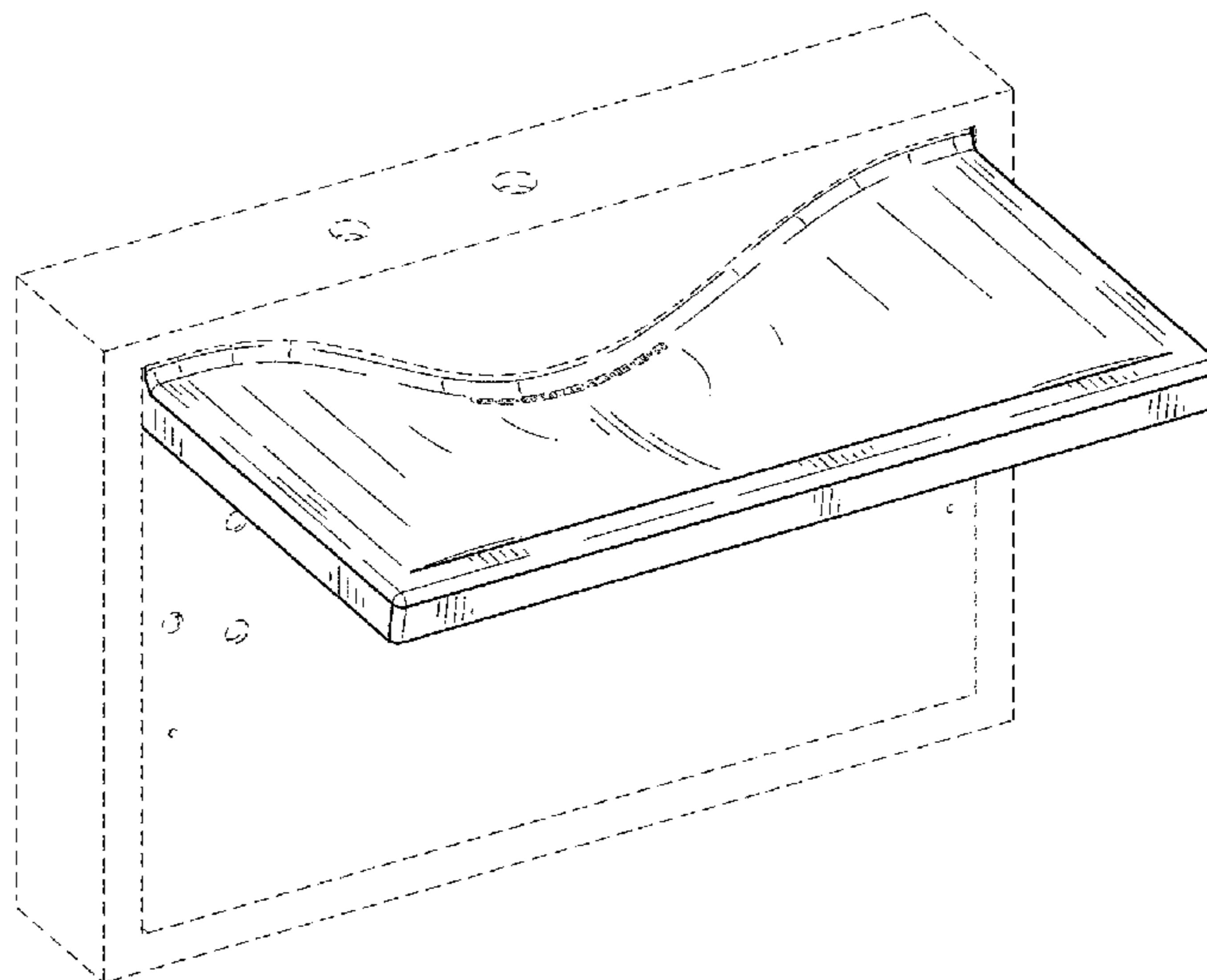
(56) **References Cited**

U.S. PATENT DOCUMENTS

D191,432 S *	10/1961	Chapman	D23/286
5,369,818 A	12/1994	Barnum et al.		
5,611,093 A	3/1997	Barnum et al.		
5,628,949 A	5/1997	Bordener		
5,755,983 A	5/1998	Bordener		
5,766,500 A	6/1998	Bordener		
5,868,957 A	2/1999	Bordener		
5,885,503 A	3/1999	Bordener		
5,906,875 A	5/1999	Bordener		
D411,876 S	7/1999	Hafner et al.		
D415,261 S *	10/1999	Thomas	D23/284
6,000,673 A	12/1999	Bordener		
6,360,381 B1	3/2002	Fitzgerald, Sr.		
D455,200 S	4/2002	Marshall		

FIG. 1 is a top, front, and left side perspective view of a sink in accordance with the design;
FIG. 2 is a bottom, front, and left side perspective view of a sink of FIG. 1;
FIG. 3 is a top plan view of the sink of FIG. 1;
FIG. 4 is a front elevational view of the sink of FIG. 1;
FIG. 5 is a left side elevational view of the sink of FIG. 1;
FIG. 6 is a right side elevational view of the sink of FIG. 1;
FIG. 7 is a rear elevational view of the sink of FIG. 1;
FIG. 8 is a bottom plan view of the sink of FIG. 1; and
FIG. 9 is a cross-sectional side view of the sink of FIG. 1 taken through line 9-9 of FIG. 3. The dash-dash broken lines are for the purpose of illustrating unclaimed subject matter only and form no part of the claimed design. The dash-dot lines are for the purpose of indicating a boundary of the design on a surface and do not indicate an edge.
In a preferred embodiment, the nature of this product is as a sink such as a bathroom sink.

1 Claim, 6 Drawing Sheets



(56)

References Cited

U.S. PATENT DOCUMENTS

D477,060 S	7/2003	Loberger et al.	D640,778 S	6/2011	Rundberg
6,656,561 B1	12/2003	Subbulu	D641,842 S	7/2011	Loberger et al.
D484,958 S	1/2004	Loberger et al.	D642,664 S	8/2011	Rundberg et al.
D501,674 S	2/2005	Adkison	D645,548 S *	9/2011	Ando D23/284
D508,117 S	8/2005	Loberger et al.	D649,232 S	11/2011	Rundberg
D511,205 S	11/2005	Loberger et al.	8,113,483 B2	2/2012	Bayley et al.
D511,821 S	11/2005	Loberger et al.	8,141,177 B1	3/2012	Majocka et al.
7,001,558 B2	2/2006	Baldoni	8,181,289 B2	5/2012	Schmitt et al.
D518,560 S	4/2006	Arkay-Leliever	D663,016 S	7/2012	Figurski et al.
D527,085 S	8/2006	Loberger et al.	8,296,875 B2	10/2012	Loberger et al.
D527,809 S	9/2006	Loberger et al.	D674,967 S	1/2013	Figurski et al.
D538,905 S *	3/2007	Wano D23/293.1	D680,202 S	4/2013	Figurski et al.
D549,508 S	8/2007	Clark et al.	D681,177 S	4/2013	Young et al.
D560,783 S	1/2008	Marshall et al.	8,857,786 B2	10/2014	Bayley et al.
D560,784 S	1/2008	Marshall et al.	8,950,019 B2	2/2015	Loberger et al.
D588,676 S	3/2009	Loberger et al.	8,984,679 B2	3/2015	Bayley et al.
D591,839 S	5/2009	Loberger et al.	8,997,271 B2	4/2015	Bayley et al.
D598,990 S	8/2009	Duringer et al.	D745,122 S	12/2015	Schönherr et al.
D601,674 S	10/2009	Hanna	D745,951 S	12/2015	Schönherr et al.
D609,315 S *	2/2010	Soulier D23/293.1	2004/0128755 A1	7/2004	Loberger et al.
D610,242 S	2/2010	Loberger et al.	2005/0035693 A1	2/2005	Reamer
D614,273 S	4/2010	Loberger et al.	2005/0205818 A1	9/2005	Bayley et al.
D625,792 S	10/2010	Rundberg et al.	2006/0185074 A1	8/2006	Loberger et al.
D628,280 S	11/2010	Loberger et al.	2007/0138685 A1	6/2007	Trinder et al.
D629,877 S	12/2010	Rundberg	2008/0005833 A1	1/2008	Bayley et al.
D633,992 S	3/2011	Rundberg et al.	2008/0115266 A1	5/2008	Loberger et al.
7,952,233 B2	5/2011	Bayley et al.	2010/0132112 A1	6/2010	Bayley et al.
			2014/0223658 A1	8/2014	Kempen et al.
			2014/0250589 A1	9/2014	Sgarlata et al.

* cited by examiner

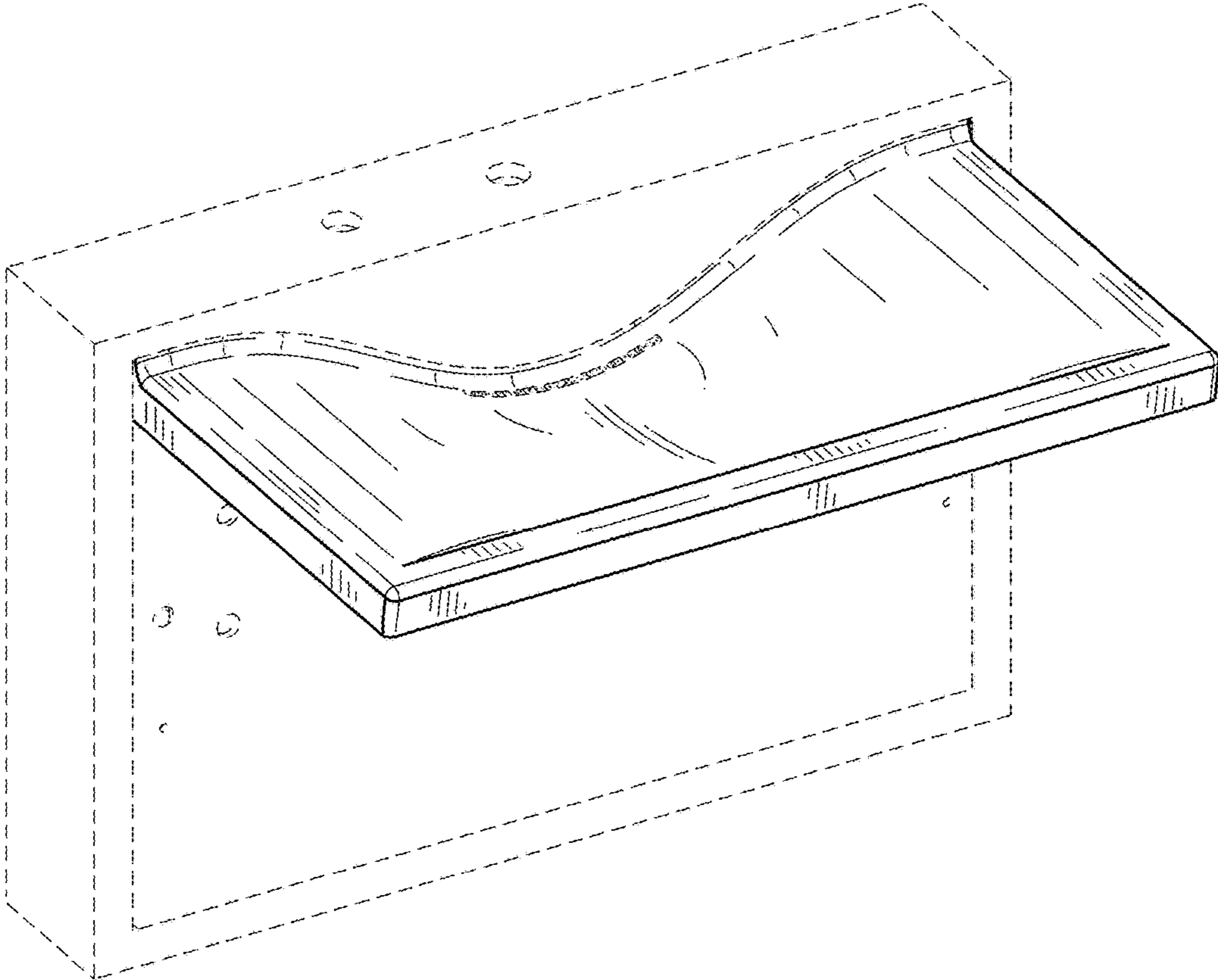


FIG. 1

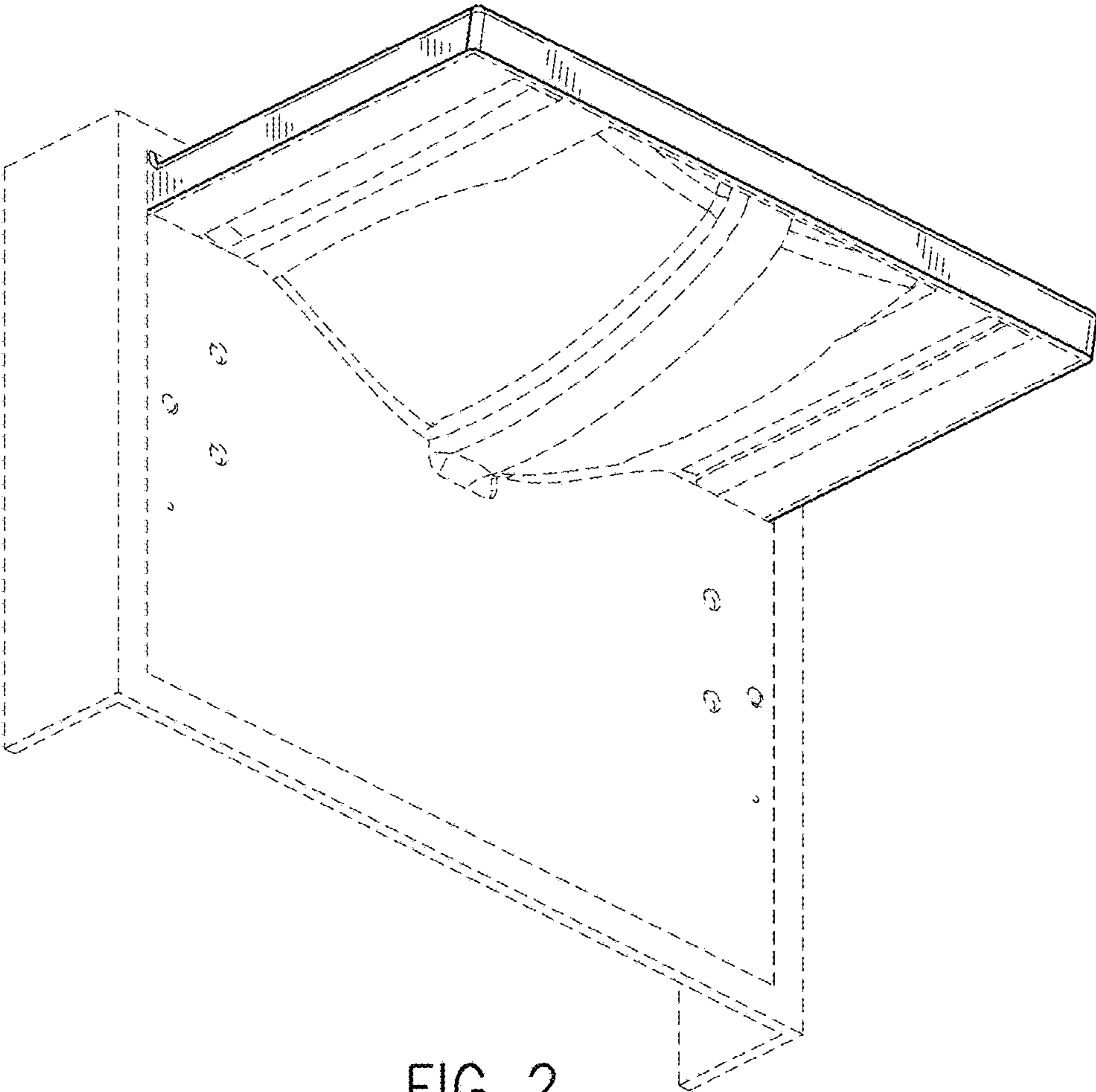


FIG. 2

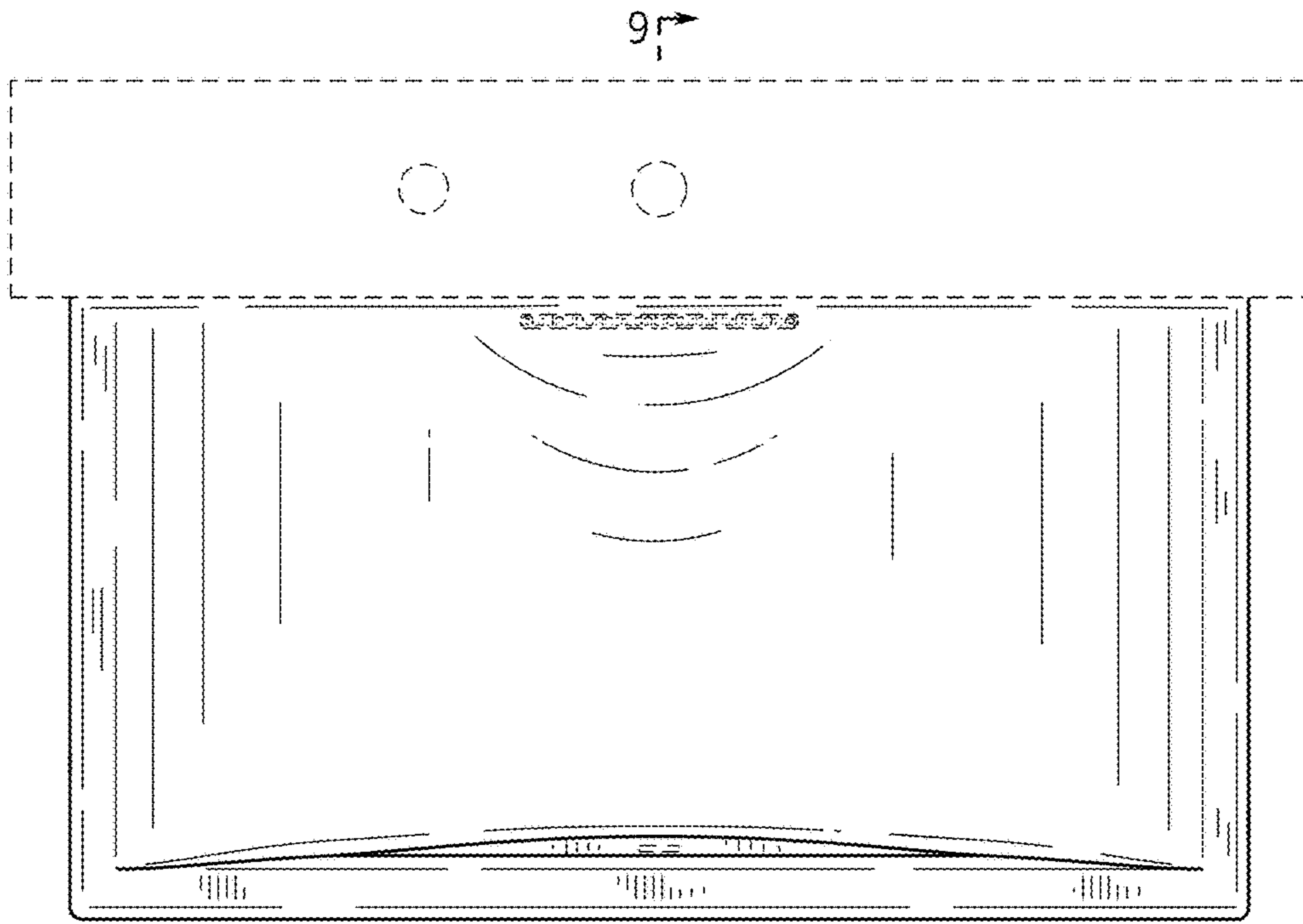


FIG. 3

9r →

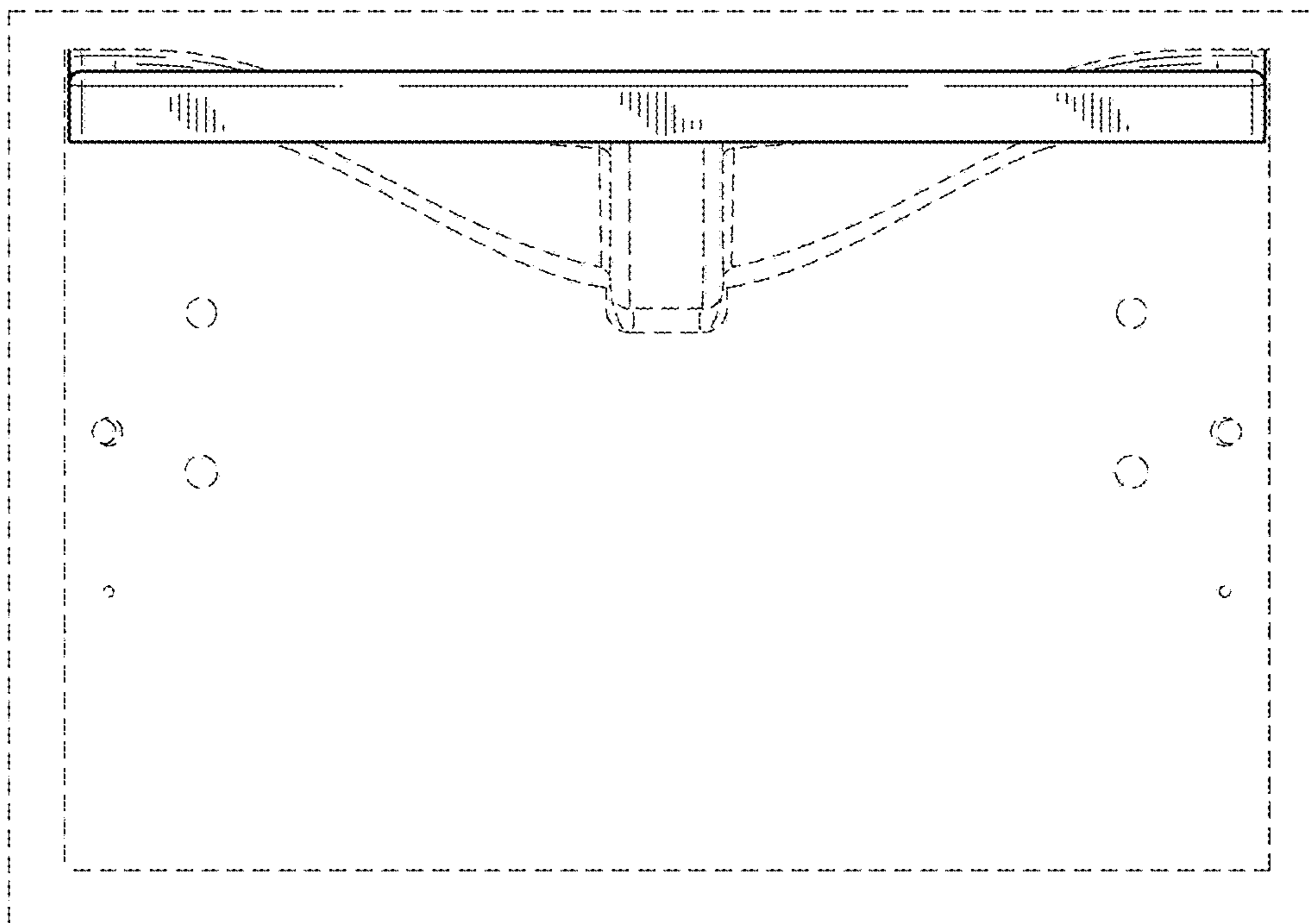
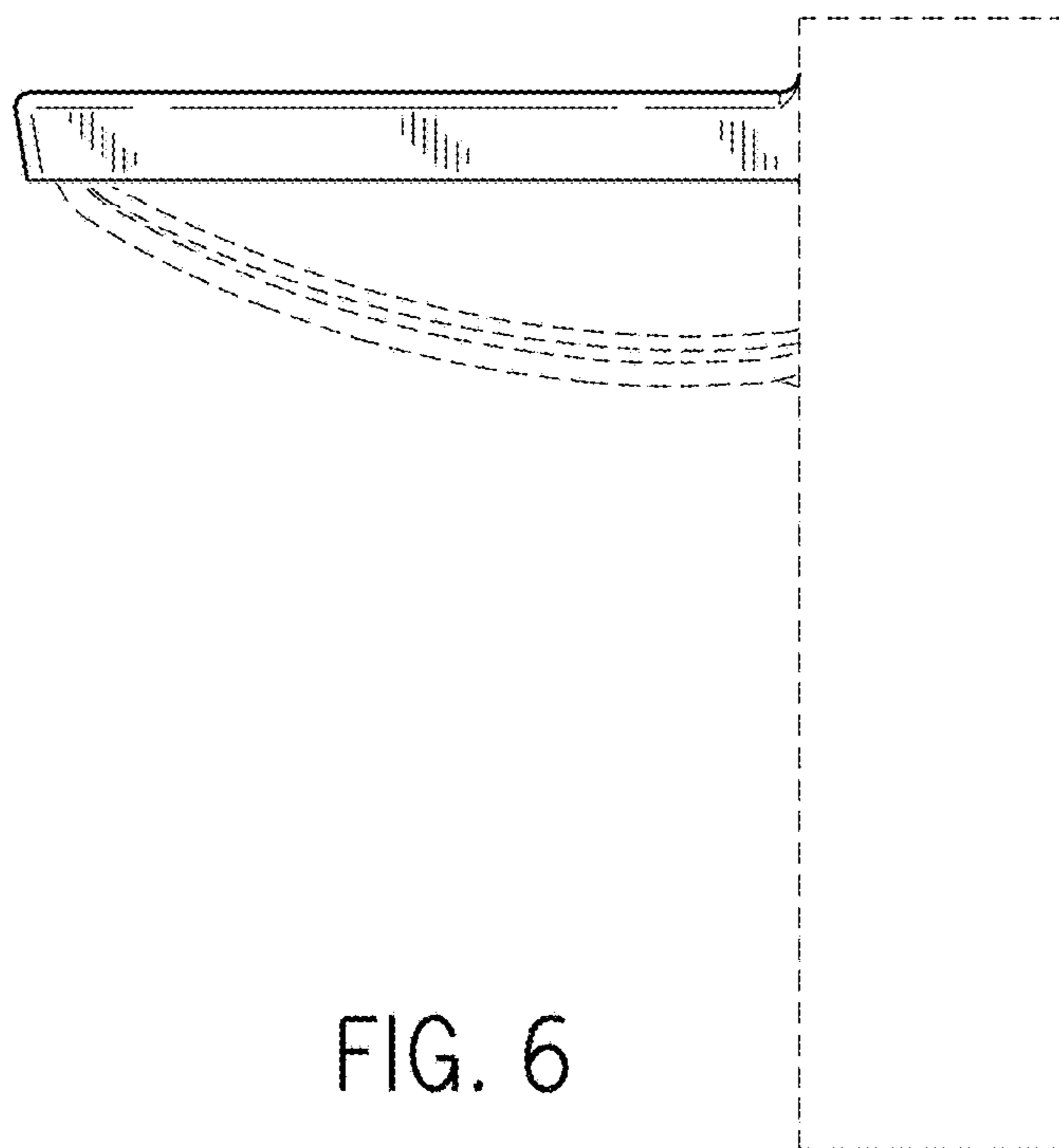
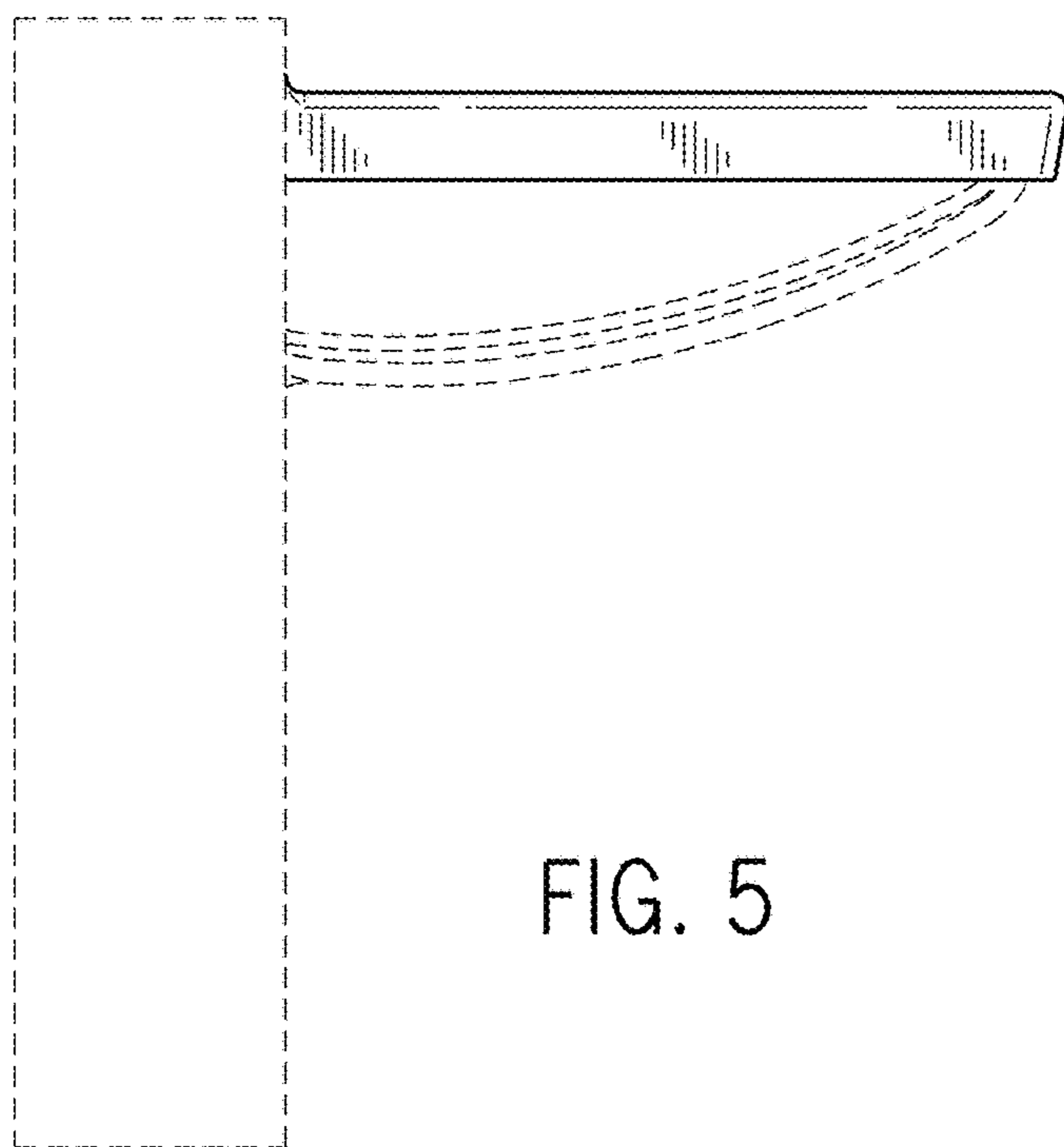


FIG. 4



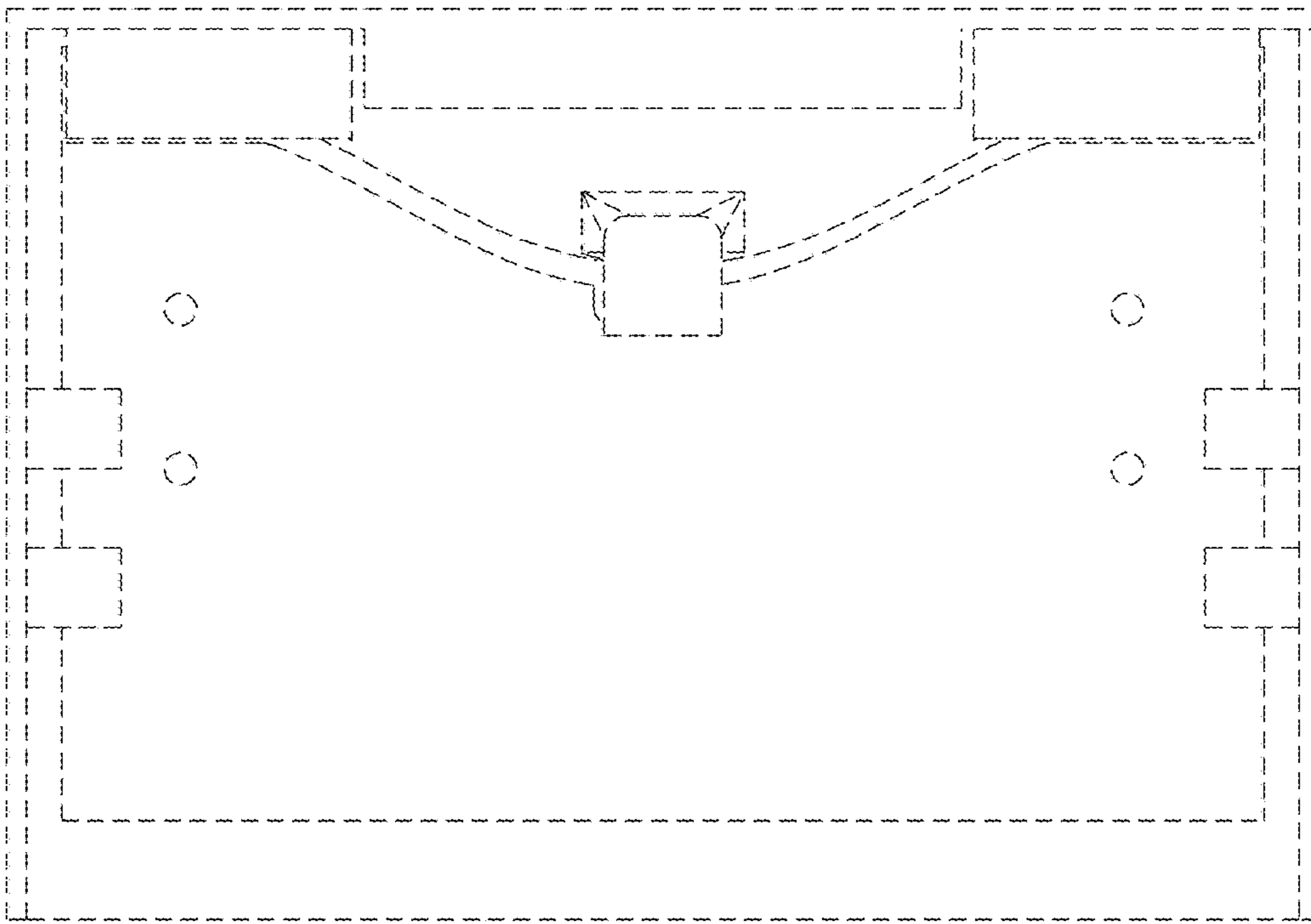


FIG. 7

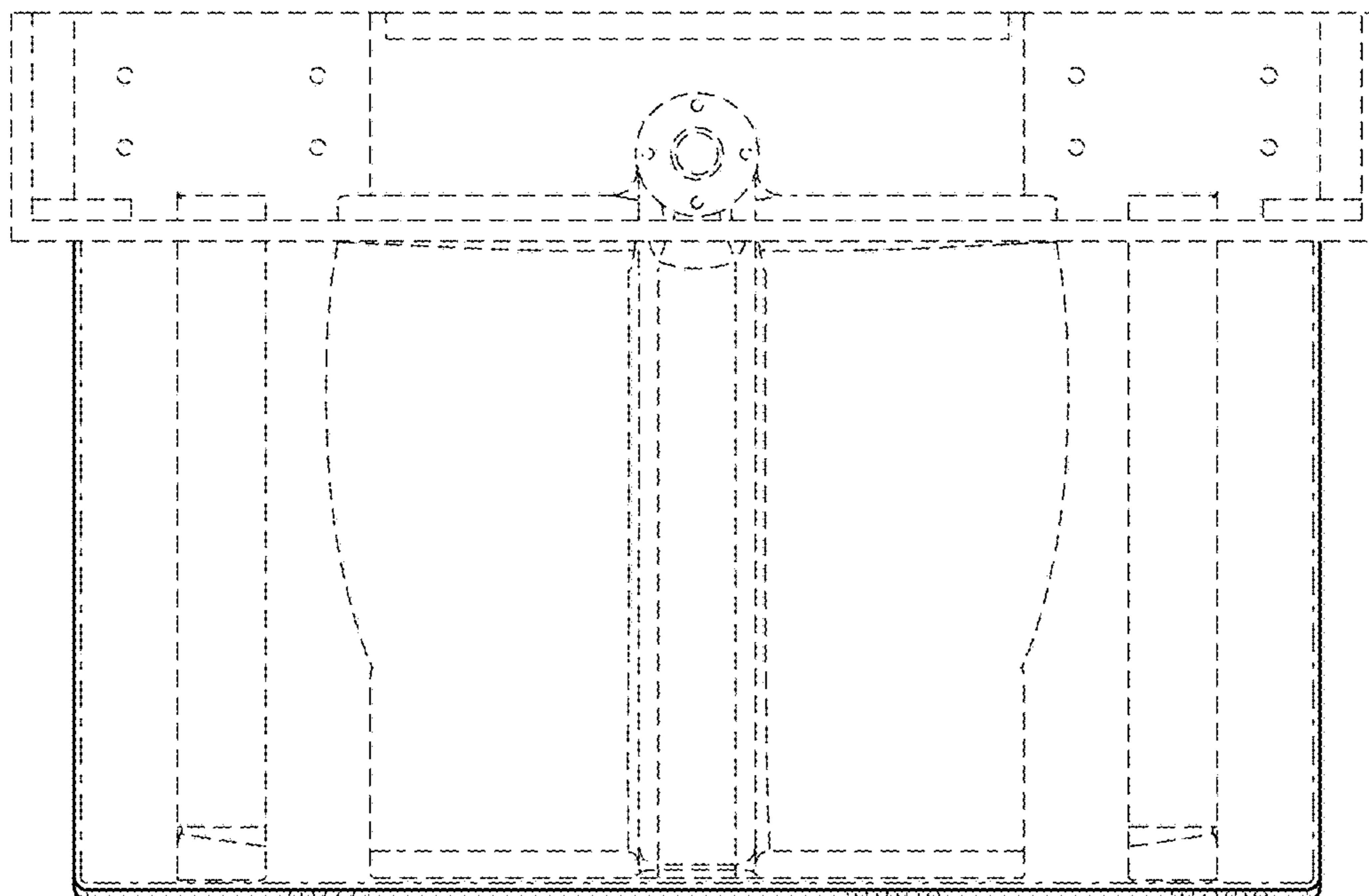


FIG. 8

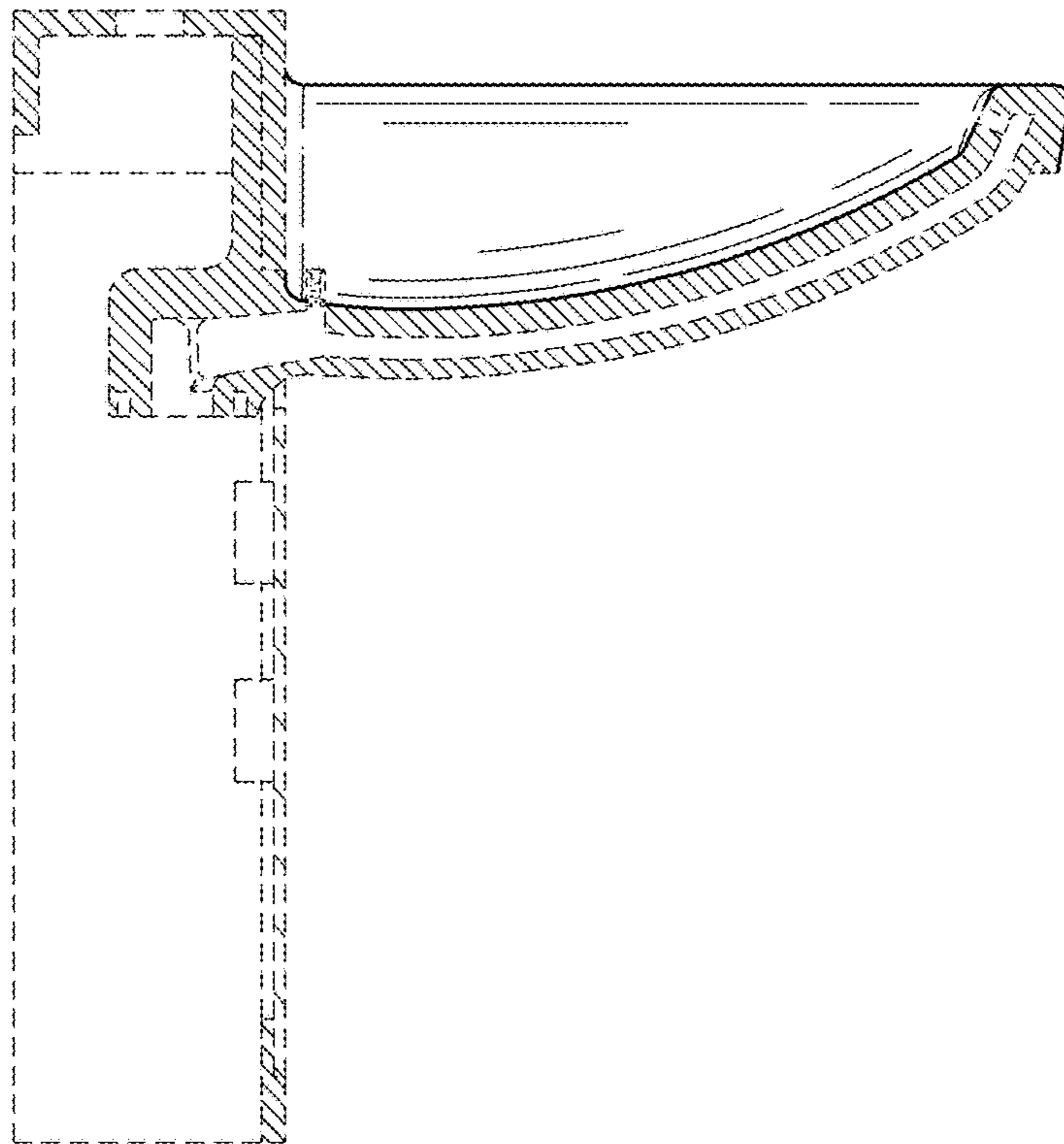


FIG. 9