



US00D810248S

(12) **United States Design Patent** (10) **Patent No.:** **US D810,248 S**  
**Schoenherr et al.** (45) **Date of Patent:** **\*\* \*Feb. 13, 2018**

(54) **WASH BASIN**

(71) Applicant: **HANSGROHE SE**, Schiltach (DE)

(72) Inventors: **Tom Schoenherr**, Stuttgart (DE);  
**Andreas Diefenbach**,  
Ludwigsburg-Oßweil (DE); **Yunwei**  
**Zhu**, Stuttgart (DE)

(73) Assignee: **Hansgrohe SE**, Schiltach (DE)

(\*) Notice: This patent is subject to a terminal disclaimer.

(\*\*) Term: **15 Years**

(21) Appl. No.: **29/560,133**

(22) Filed: **Apr. 4, 2016**

(30) **Foreign Application Priority Data**

Oct. 6, 2015 (EM) ..... 002811992

(51) **LOC (11) Cl.** ..... **23-02**

(52) **U.S. Cl.**  
USPC ..... **D23/284**

(58) **Field of Classification Search**  
USPC ..... D23/284, 293.1, 287-292, 303, 308;  
D9/425  
CPC ..... A47K 1/04; A47B 77/06; A47J 47/20  
See application file for complete search history.

(56) **References Cited**

U.S. PATENT DOCUMENTS

D505,188 S *	5/2005	Bayer	.....	D23/293.1
D549,806 S *	8/2007	Taylor	.....	D23/284
D655,798 S *	3/2012	Miller	.....	D23/284
D656,228 S *	3/2012	Booth	.....	D23/293.1
D663,389 S *	7/2012	Miller	.....	D23/293.1
D682,998 S *	5/2013	Eilmus	.....	D23/284
2017/0058497 A1 *	3/2017	Booth	.....	A47B 77/06

\* cited by examiner

*Primary Examiner* — Robert M. Spear

*Assistant Examiner* — John A Voytek

(74) *Attorney, Agent, or Firm* — Lora J. Graentzdoerffer

(57) **CLAIM**

The ornamental design for a wash basin, as shown and described.

**DESCRIPTION**

FIG. 1 is a perspective view of a wash basin showing our design; and,

FIG. 2 is a top plan view.

The broken-line disclosure in the view represents a portion of the article which forms no part of the claimed design.

**1 Claim, 2 Drawing Sheets**

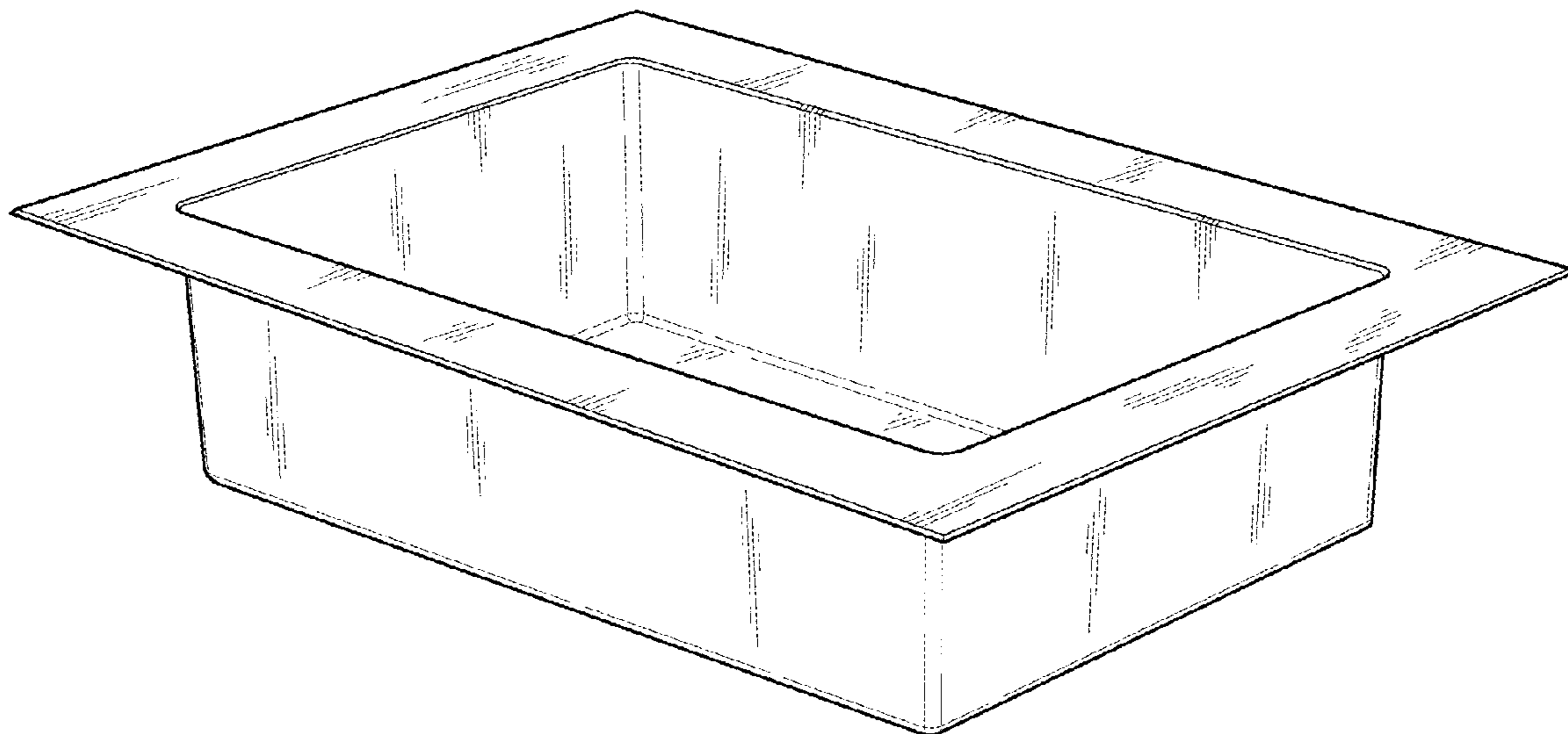


FIG. 1

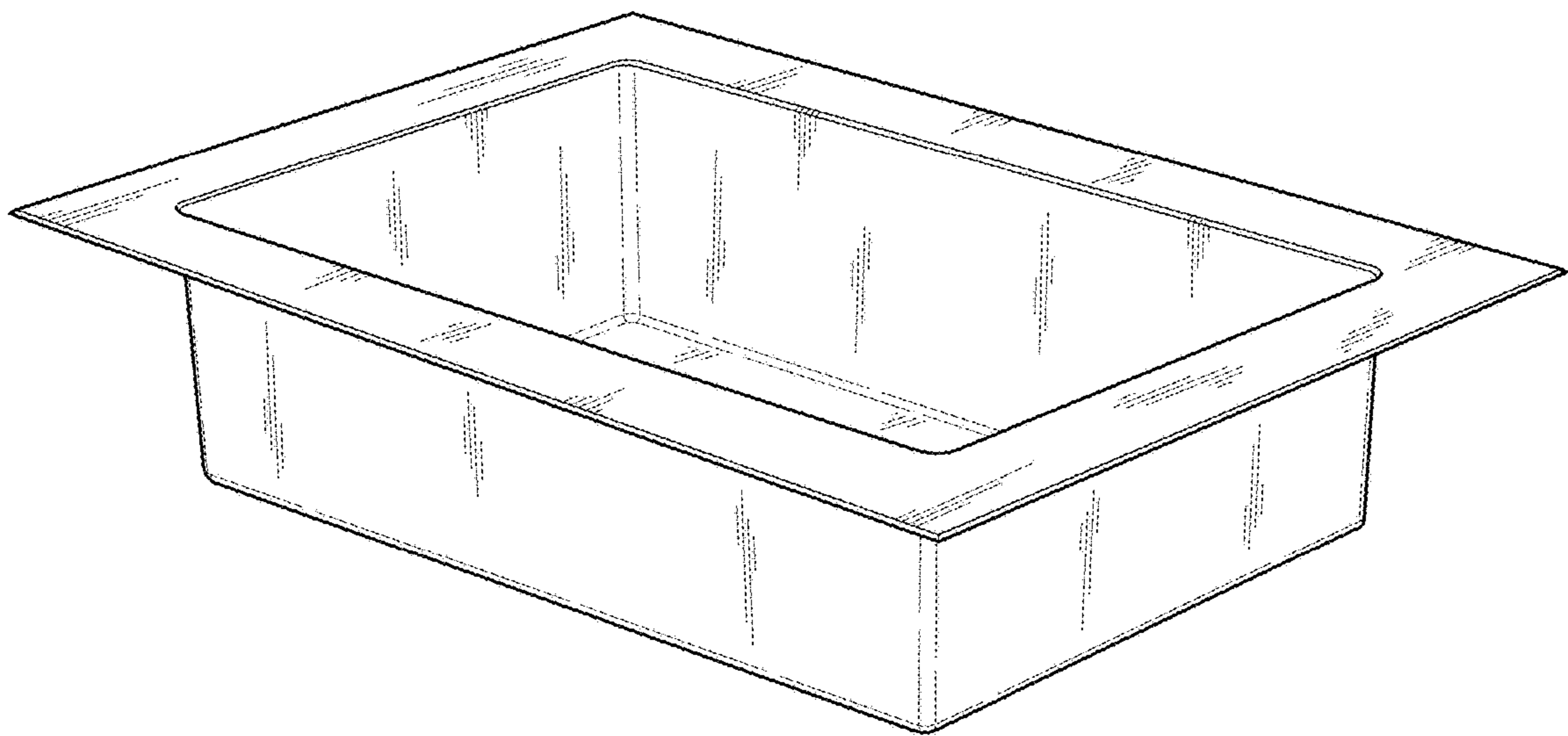


FIG. 2

