



US00D810246S

(12) **United States Design Patent** (10) **Patent No.:** **US D810,246 S**  
**Schoenherr et al.** (45) **Date of Patent:** **\*\* \*Feb. 13, 2018**

(54) **WASH BASIN** 7,568,239 B2 \* 8/2009 Spruner von Mertz ..... A47J 47/005  
4/654  
(71) Applicant: **HANSGROHE SE**, Schiltach (DE) D632,373 S \* 2/2011 Kehrer ..... D23/293.1  
D655,798 S \* 3/2012 Miller ..... D23/284  
(72) Inventors: **Tom Schoenherr**, Stuttgart (DE); D656,228 S \* 3/2012 Booth ..... D23/293.1  
**Andreas Diefenbach**, D663,389 S \* 7/2012 Miller ..... D23/293.1  
Ludwigsburg-Obweil (DE); **Yunwei** D708,309 S \* 7/2014 Kurth ..... D23/293.1  
**Zhu**, Stuttgart (DE) 2009/0094741 A1 \* 4/2009 Valadez ..... E03C 1/186  
4/658  
2017/0058497 A1 \* 3/2017 Booth ..... A47B 77/06

(73) Assignee: **Hansgrohe SE**, Schiltach (DE)  
(\* ) Notice: This patent is subject to a terminal disclaimer.

(\*\* ) Term: **15 Years**

(21) Appl. No.: **29/560,124**

(22) Filed: **Apr. 4, 2016**

(30) **Foreign Application Priority Data**

Oct. 6, 2015 (EM) ..... 002811992

(51) **LOC (11) Cl.** ..... **23-01**

(52) **U.S. Cl.**  
USPC ..... **D23/284**

(58) **Field of Classification Search**  
USPC ..... D23/284, 293.1, 287-292, 303, 308;  
D9/425

CPC ..... A47K 1/04; A47B 77/06; A47J 47/20  
See application file for complete search history.

(56) **References Cited**

U.S. PATENT DOCUMENTS

D302,851 S \* 8/1989 Cochran ..... D23/284  
D428,478 S 7/2000 Arnold et al.  
D494,664 S 8/2004 Arnold  
D504,496 S \* 4/2005 Bayer ..... D23/293.1  
D561,879 S \* 2/2008 Gilbert ..... D23/293.1  
D575,380 S \* 8/2008 Ziemann ..... D23/293.1

FOREIGN PATENT DOCUMENTS

CN 302579729 9/2013  
CN 303277581 7/2015  
CN 303349403 8/2015  
WO D085215-031 12/2014  
WO D085215-032 12/2014  
WO D085215-033 12/2014  
WO D085215-034 12/2014  
WO D085215-035 12/2014  
WO D085215-036 12/2014  
WO D085215-037 12/2014  
WO D085215-038 12/2014  
WO D085215-039 12/2014

(Continued)

*Primary Examiner* — Robert M. Spear  
*Assistant Examiner* — John A Voytek  
(74) *Attorney, Agent, or Firm* — Lora J. Graentzdoerffer

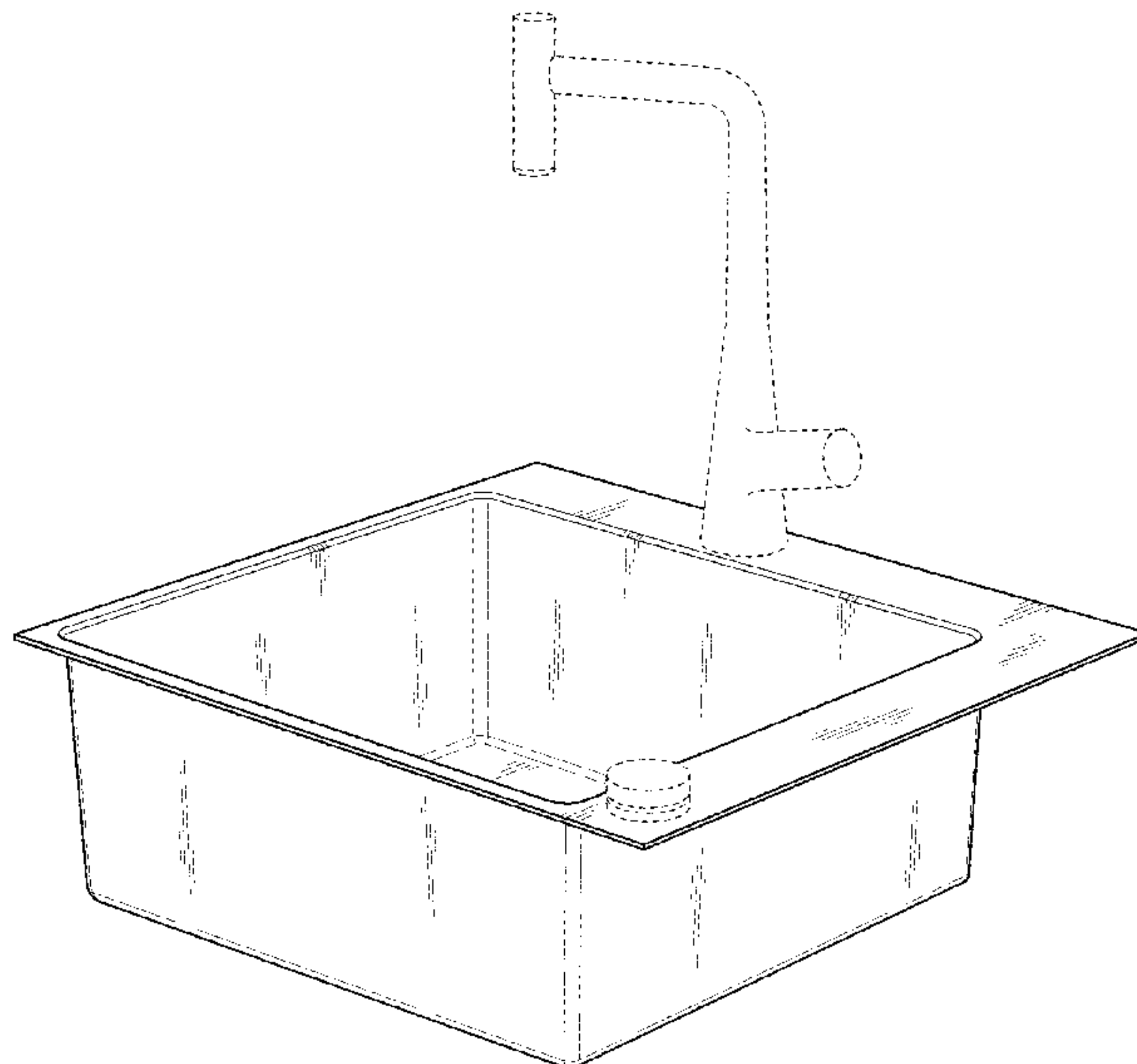
(57) **CLAIM**

The ornamental design for a wash basin, as shown and described.

**DESCRIPTION**

FIG. 1 is a perspective view of a wash basin showing our design; and,  
FIG. 2 is a top plan view.  
The broken-line disclosure in the view represents a portion of the article which forms no part of the claimed design.

**1 Claim, 2 Drawing Sheets**



(56)

**References Cited**

FOREIGN PATENT DOCUMENTS

WO	D085215-040	12/2014
WO	D085215-041	12/2014
WO	D085215-042	12/2014
WO	D085215-043	12/2014
WO	D085215-044	12/2014
WO	D085215-045	12/2014
WO	D085215-046	12/2014
WO	D085215-047	12/2014
WO	D085215-048	12/2014
WO	D085215-049	12/2014
WO	D085215-050	12/2014

\* cited by examiner

FIG. 1

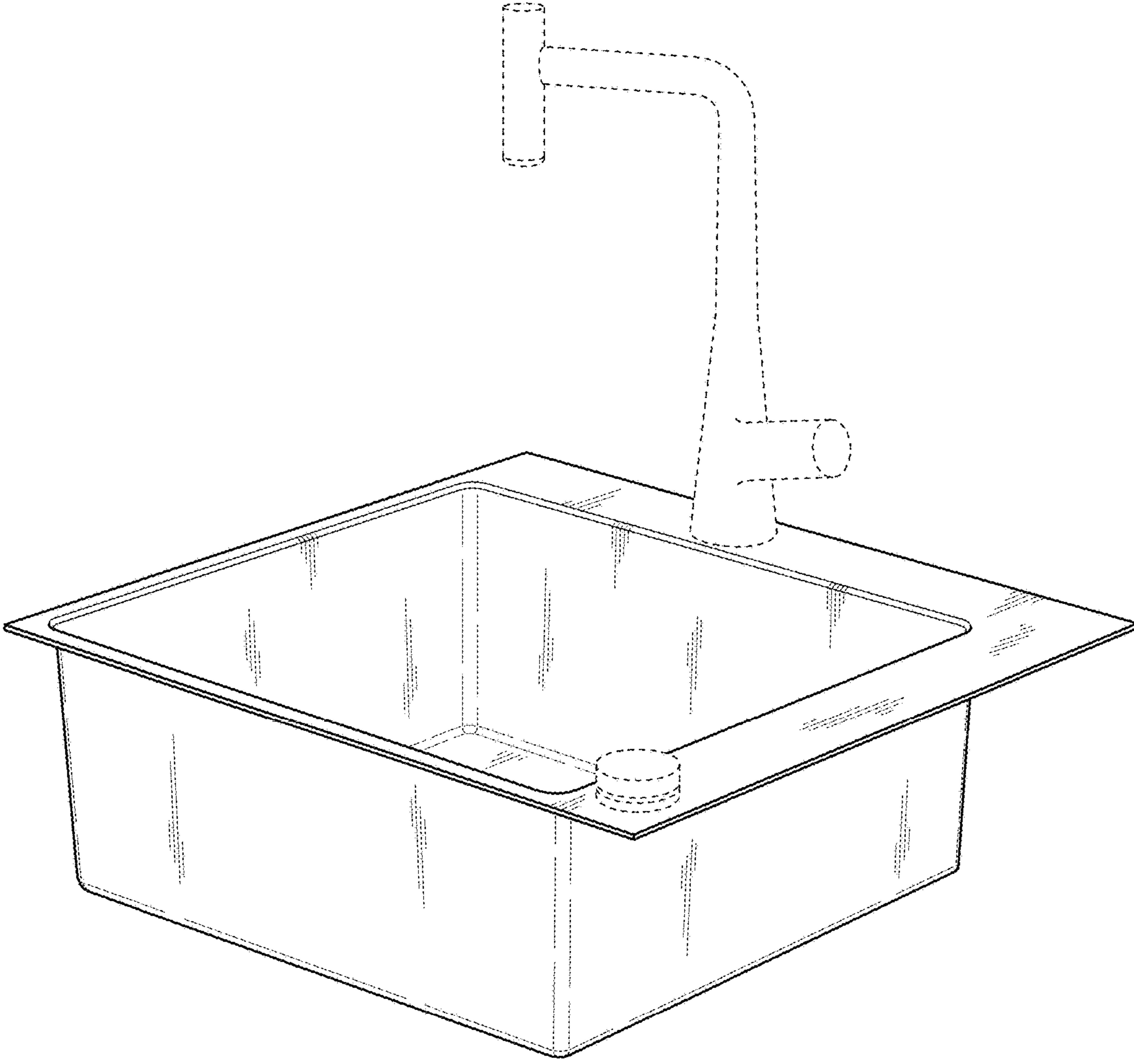


FIG. 2

