



US00D810245S

(12) **United States Design Patent** (10) **Patent No.:** **US D810,245 S**
Schoenherr et al. (45) **Date of Patent:** **** *Feb. 13, 2018**

(54) **WASH BASIN**
(71) Applicant: **HANS GROHE SE**, Schiltach (DE)
(72) Inventors: **Tom Schoenherr**, Stuttgart (DE);
Andreas Diefenbach,
Ludwigsburg-Oßweil (DE); **Yunwei**
Zhu, Stuttgart (DE)

D505,188 S * 5/2005 Bayer D23/293.1
D549,806 S * 8/2007 Taylor D23/284
D561,879 S * 2/2008 Gilbert D23/293.1
D655,798 S * 3/2012 Miller D23/284
D656,228 S * 3/2012 Booth D23/293.1
D663,389 S * 7/2012 Miller D23/293.1
D708,309 S * 7/2014 Kurth D23/293.1
D767,739 S * 9/2016 Hofle D23/287
2012/0222212 A1 * 9/2012 Booth A47B 77/06
4/619

(73) Assignee: **Hansgrohe SE**, Schiltach (DE)
(*) Notice: This patent is subject to a terminal disclaimer.
(**) Term: **15 Years**

FOREIGN PATENT DOCUMENTS
CN 303566204 S 1/2016
* cited by examiner
Primary Examiner — Robert M. Spear
(74) *Attorney, Agent, or Firm* — Lora J. Graentzdoerffer

(21) Appl. No.: **29/560,119**
(22) Filed: **Apr. 4, 2016**

(30) **Foreign Application Priority Data**
Oct. 6, 2015 (EM) 002811992
(51) **LOC (11) Cl.** **23-02**
(52) **U.S. Cl.**
USPC **D23/284**
(58) **Field of Classification Search**
USPC D23/284, 293.1, 287–292, 303, 308;
D9/425
CPC A47K 1/04; A47B 77/06; A47J 47/20
See application file for complete search history.

(57) **CLAIM**
The ornamental design for a wash basin, as shown and described.

(56) **References Cited**
U.S. PATENT DOCUMENTS
450,895 A * 4/1891 Shattuck E03C 1/33
4/650

DESCRIPTION
FIG. 1 is a perspective view of a wash basin showing our design; and,
FIG. 2 is a top plan view.
The broken-line disclosure in the view represents a portion of the article which forms no part of the claimed design.

1 Claim, 2 Drawing Sheets

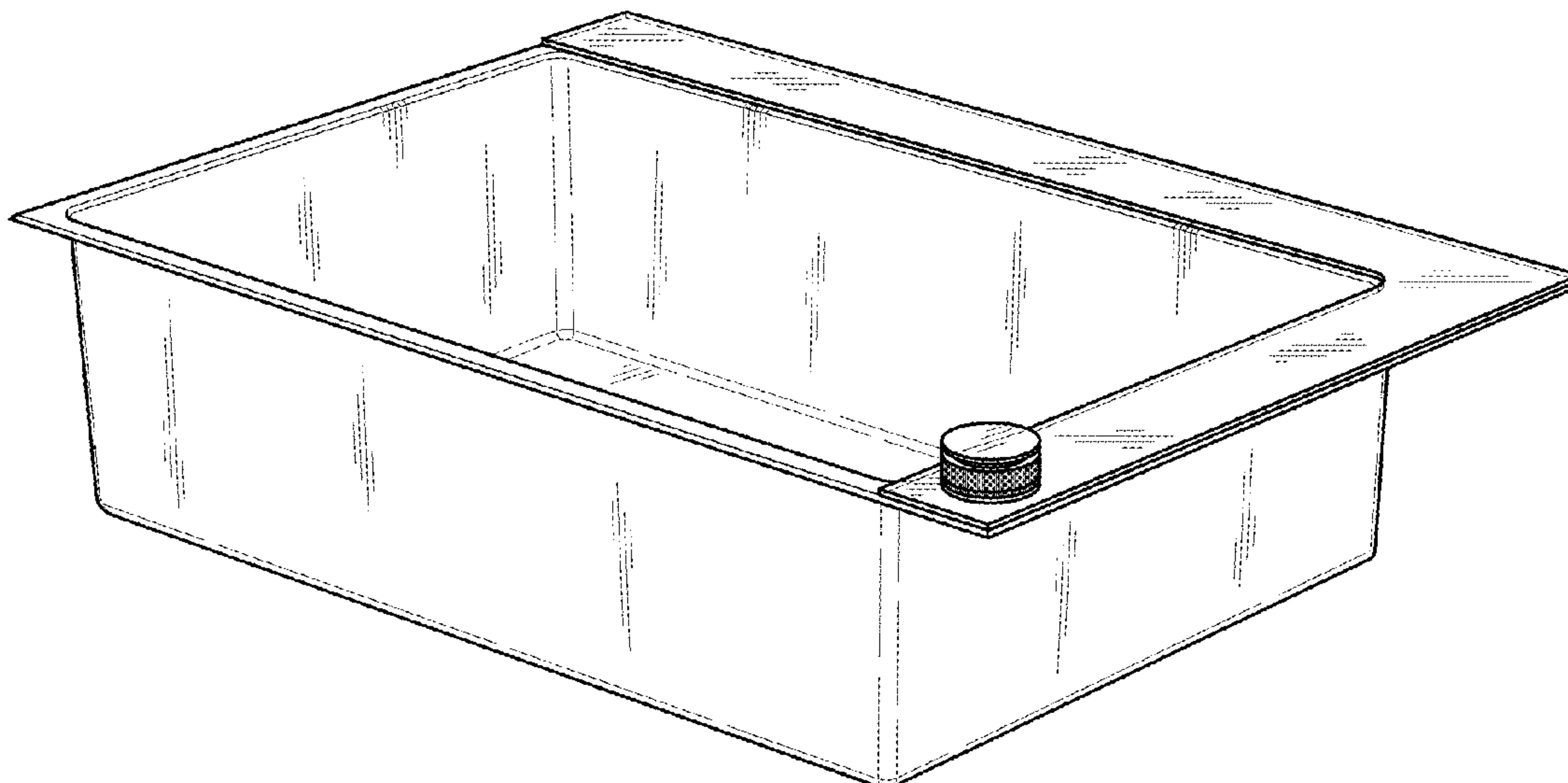


FIG. 1

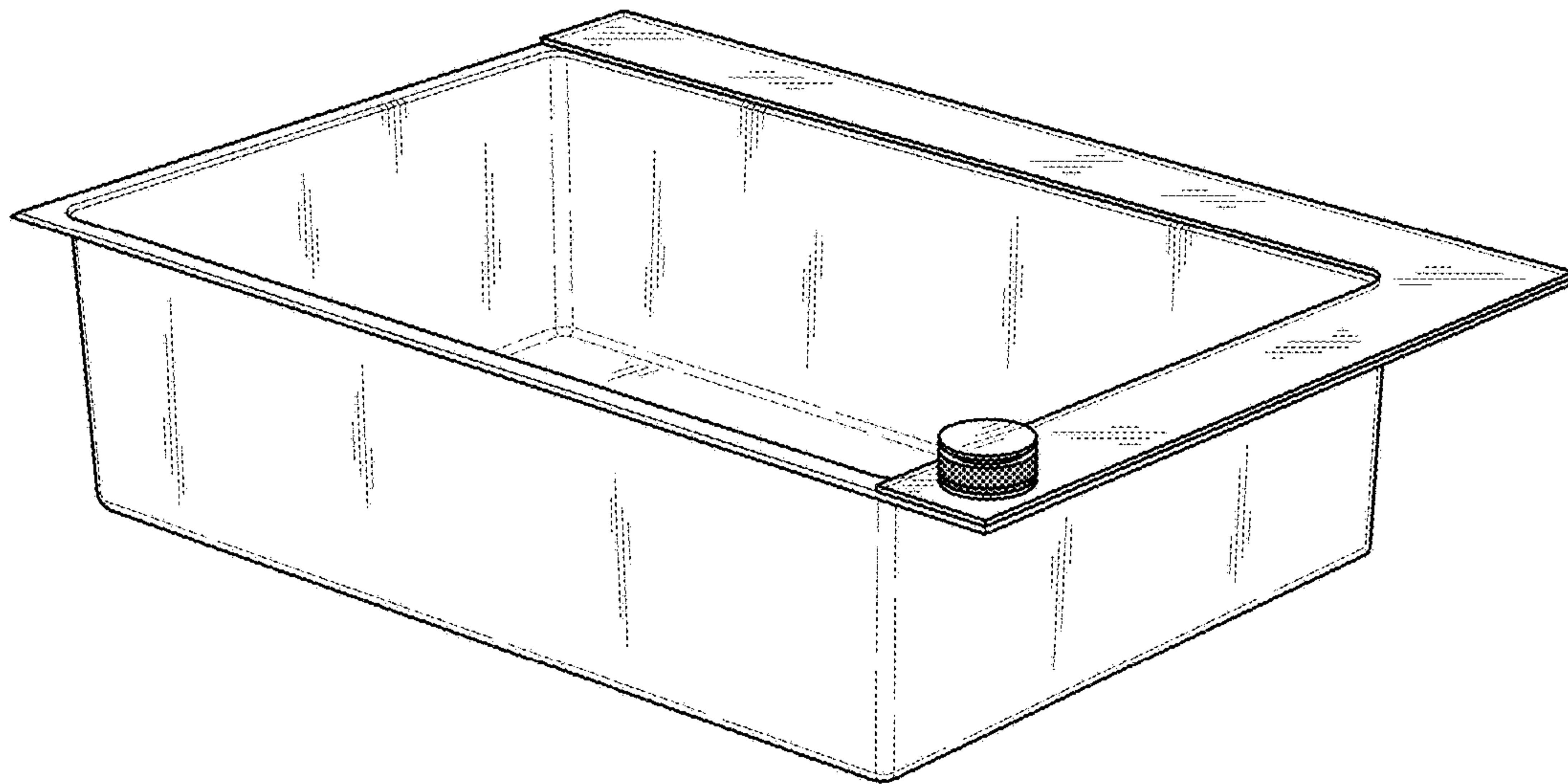


FIG. 2

