



US00D810243S

(12) **United States Design Patent** (10) **Patent No.:** **US D810,243 S**
Schoenherr et al. (45) **Date of Patent:** **** Feb. 13, 2018**

(54) **FAUCET**
 (71) Applicant: **HANSGROHE SE**, Schiltach (DE)
 (72) Inventors: **Tom Schoenherr**, Stuttgart (DE);
Andreas Diefenbach,
 Ludwigsburg-Oßweil (DE); **Yunwei**
Zhu, Stuttgart (DE)

D659,807 S * 5/2012 Flowers D23/255
 D665,879 S * 8/2012 Flowers D23/252
 D665,881 S * 8/2012 Flowers D23/252
 D700,956 S * 3/2014 Schoenherr D23/238
 D701,592 S * 3/2014 Zhenqiang D23/238
 D757,223 S * 5/2016 Schoenherr D23/238
 D762,820 S * 8/2016 Schoenherr D23/238
 D767,727 S * 9/2016 Eads D23/242

(73) Assignee: **Hansgrohe SE**, Schiltach (DE)

(**) Term: **15 Years**

(21) Appl. No.: **29/586,796**

(22) Filed: **Dec. 7, 2016**

(30) **Foreign Application Priority Data**

Jun. 8, 2016 (EM) 003180363-0025

(51) **LOC (11) Cl.** **23-01**

(52) **U.S. Cl.**
 USPC **D23/242**

(58) **Field of Classification Search**
 USPC D23/238, 241–243, 249–250, 252,
 D23/254–255, 257; D8/307–308
 CPC Y10T 137/9464
 See application file for complete search history.

(56) **References Cited**

U.S. PATENT DOCUMENTS

D517,655 S * 3/2006 Ogata D23/241
 D538,401 S * 3/2007 Miyamoto D23/241
 D625,393 S * 10/2010 Sieger D23/242
 D645,941 S * 9/2011 Ando D23/242

FOREIGN PATENT DOCUMENTS

CN 301978226 7/2012
 CN 302031614 8/2012
 CN 302176652 11/2012
 CN 302642045 S 11/2013
 CN 303552388 S 1/2016
 EM 002241406-0002 5/2013

* cited by examiner

Primary Examiner — Robert A Delehanty

(74) *Attorney, Agent, or Firm* — Lora J. Graentzdoerffer

(57) **CLAIM**

The ornamental design for a faucet, as shown and described.

DESCRIPTION

FIG. 1 is a perspective view of a faucet showing our design;
 FIG. 2 is a front elevation view;
 FIG. 3 is a rear elevation view;
 FIG. 4 is a right side elevation view;
 FIG. 5 is a left side elevation view;
 FIG. 6 is a top plan view; and,
 FIG. 7 is a bottom plan view.
 The broken-line disclosure in the view represents a portion
 of the faucet in which the claimed design is embodied, but
 which forms no part of the claimed design.

1 Claim, 7 Drawing Sheets

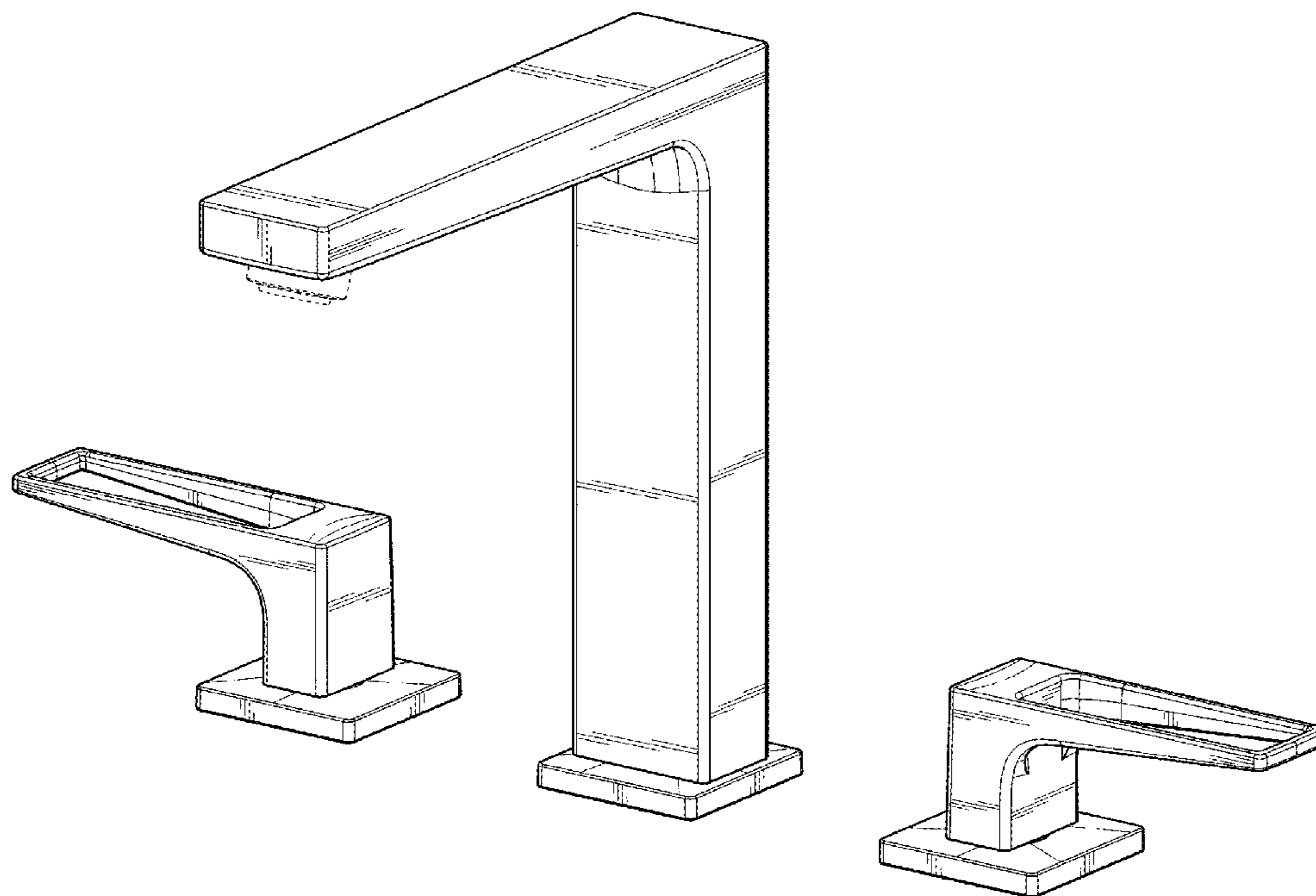
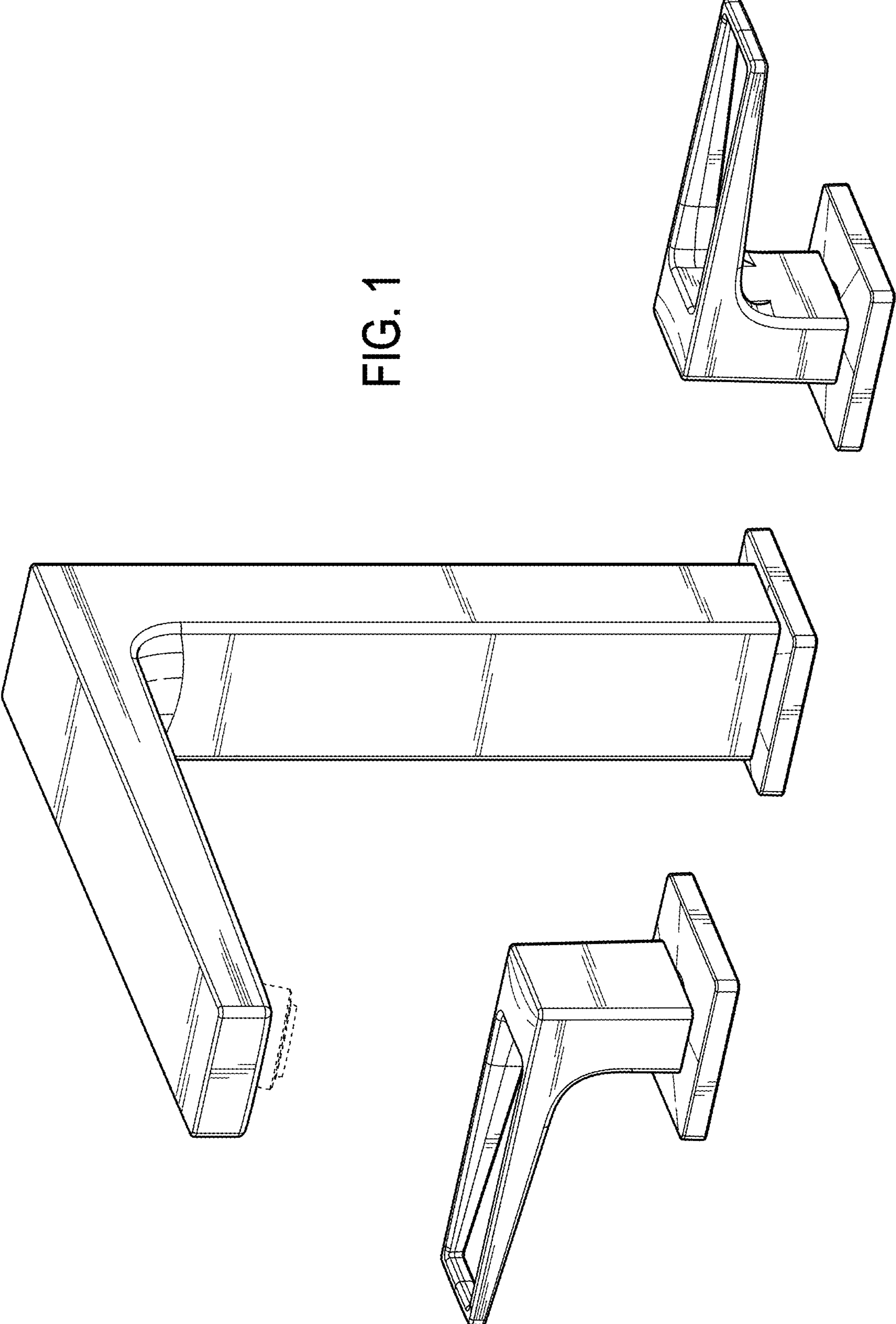


FIG. 1



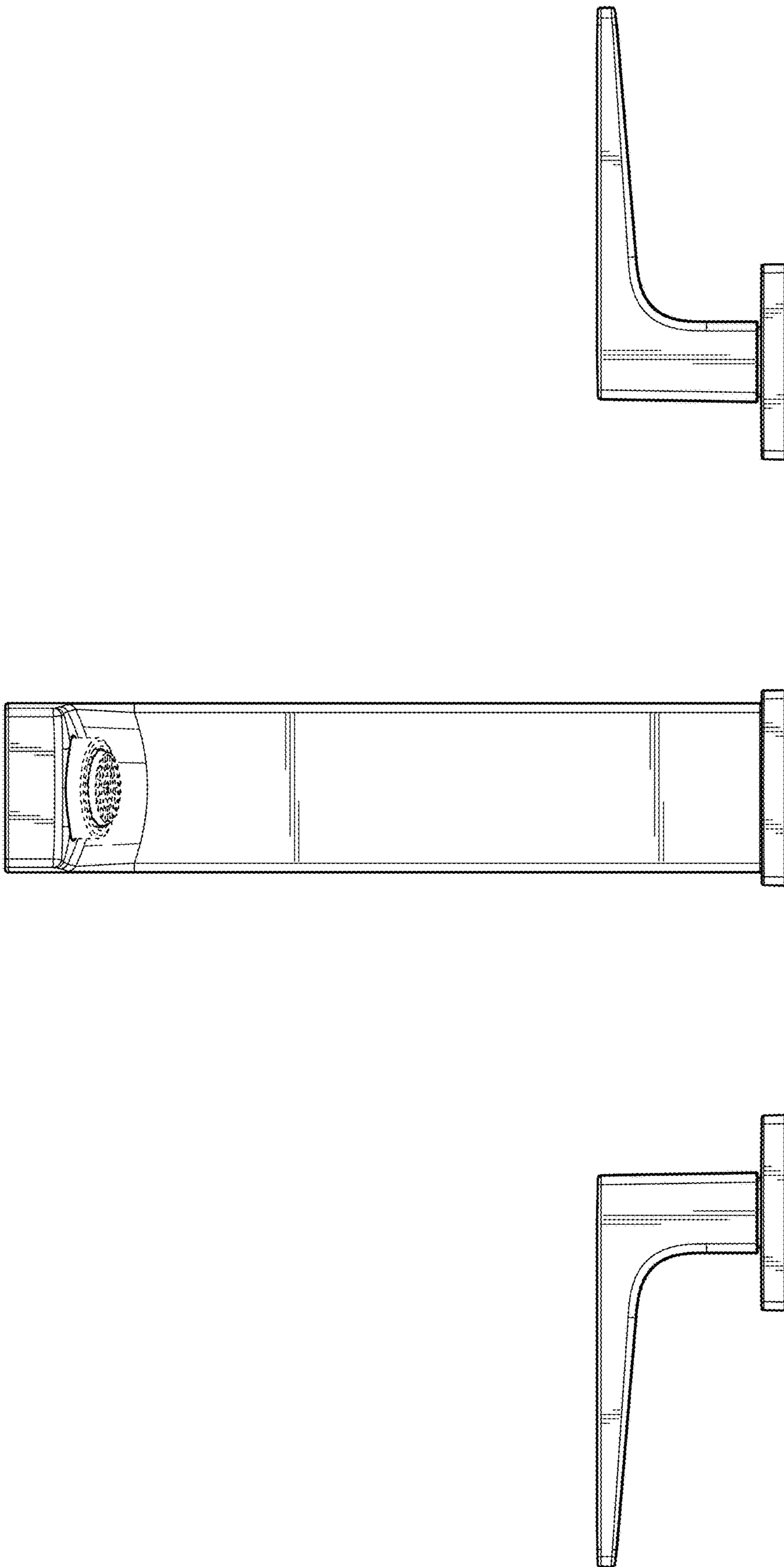


FIG. 2

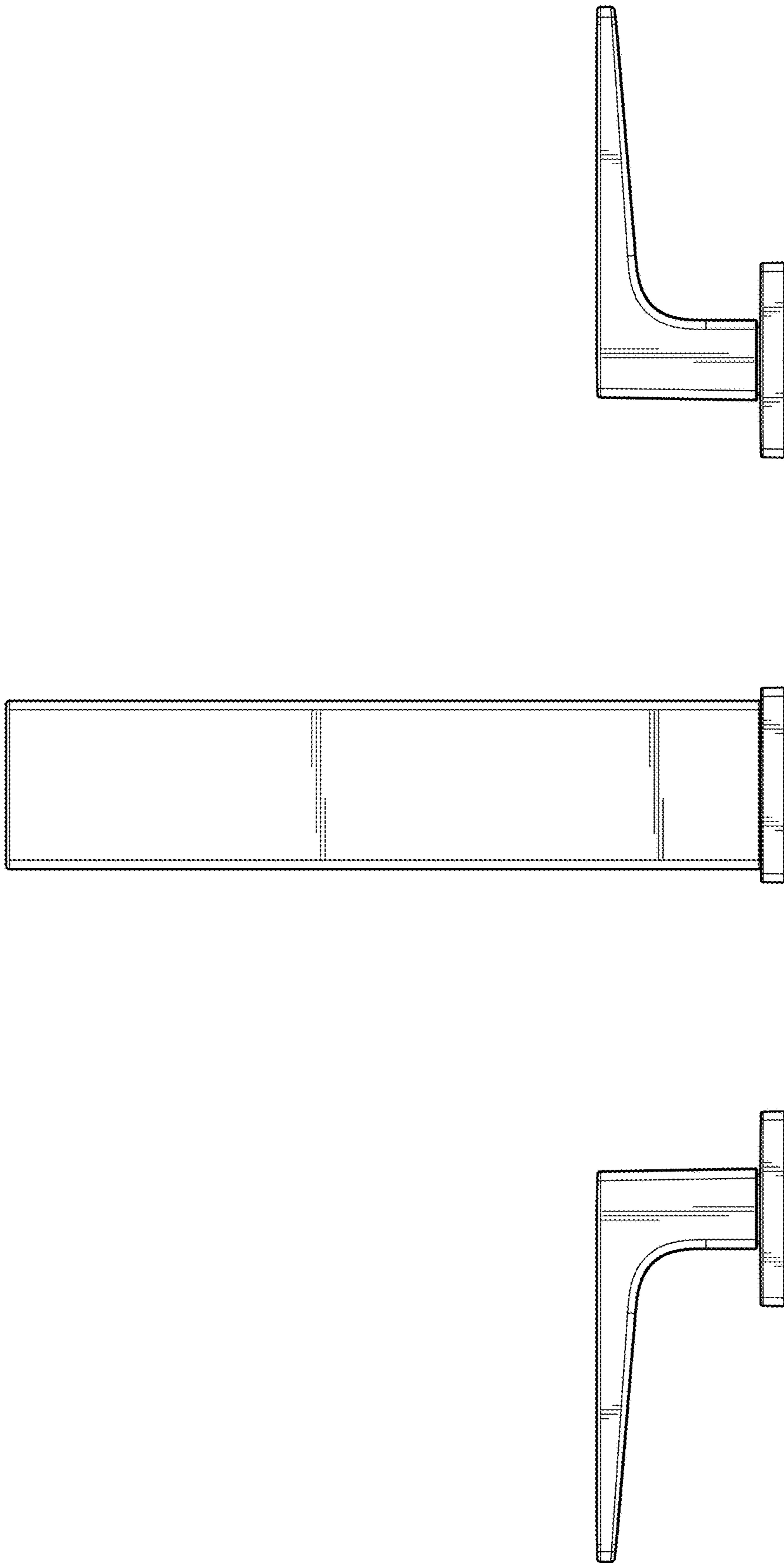


FIG. 3

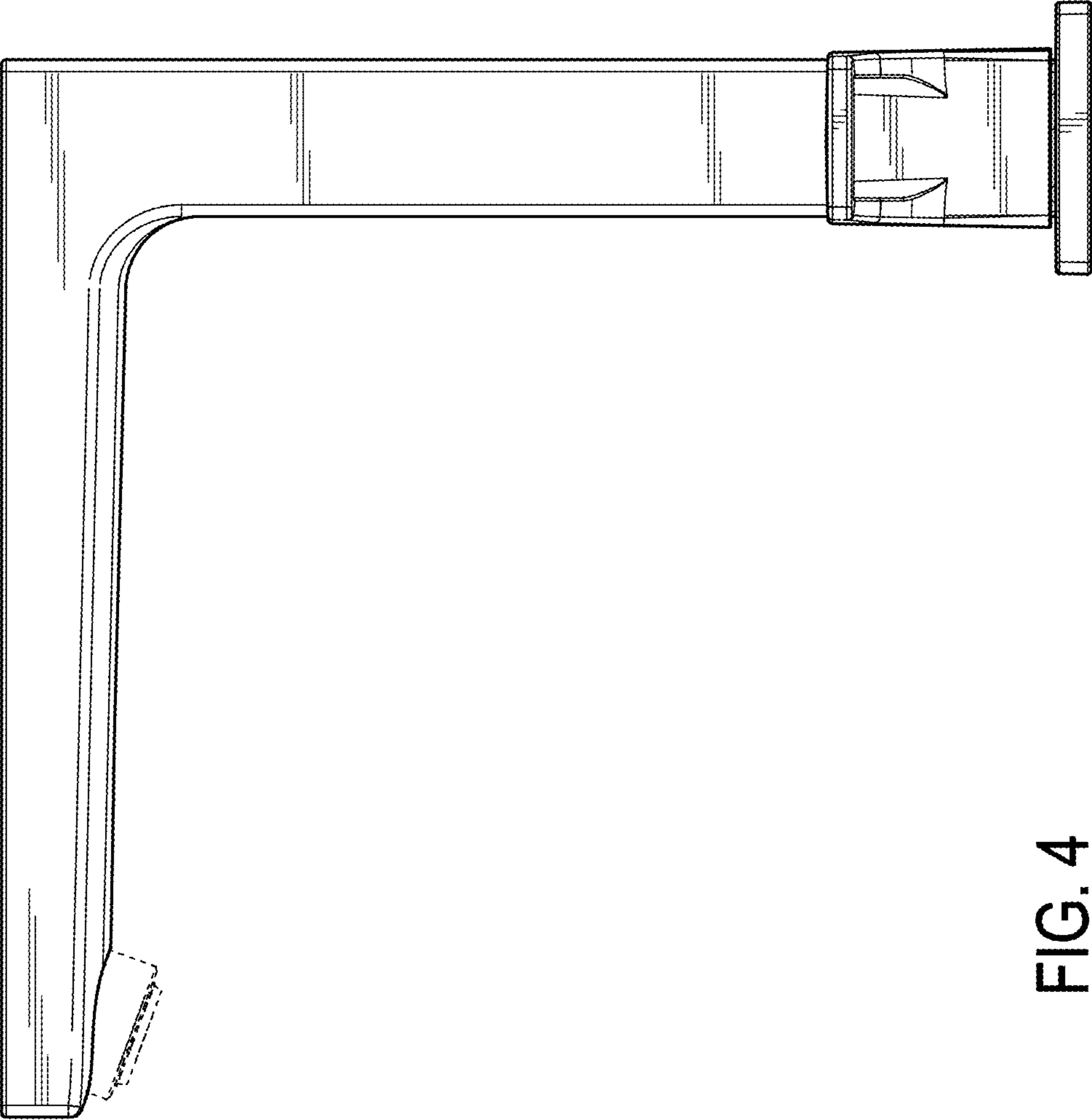


FIG. 4

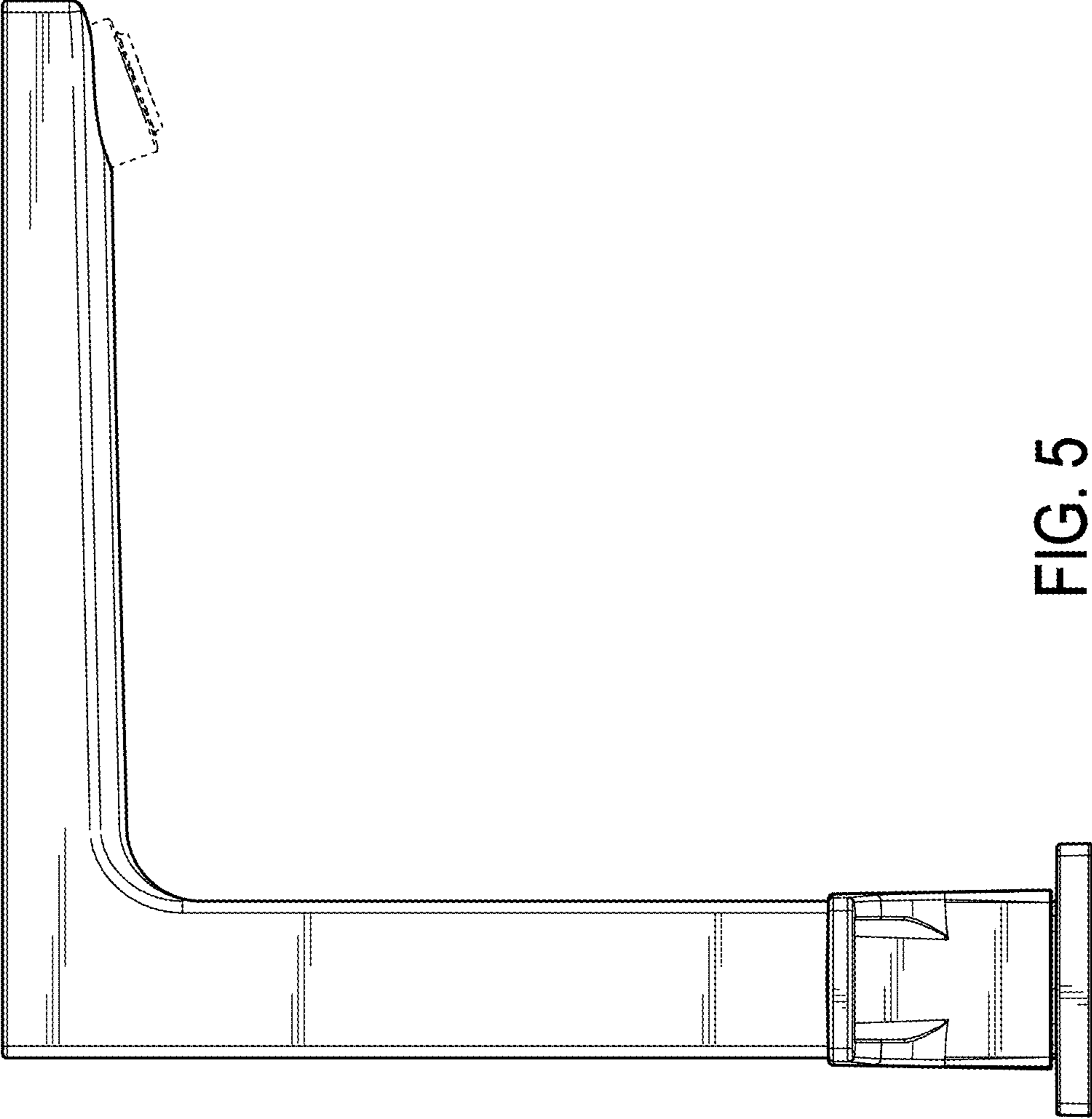


FIG. 5

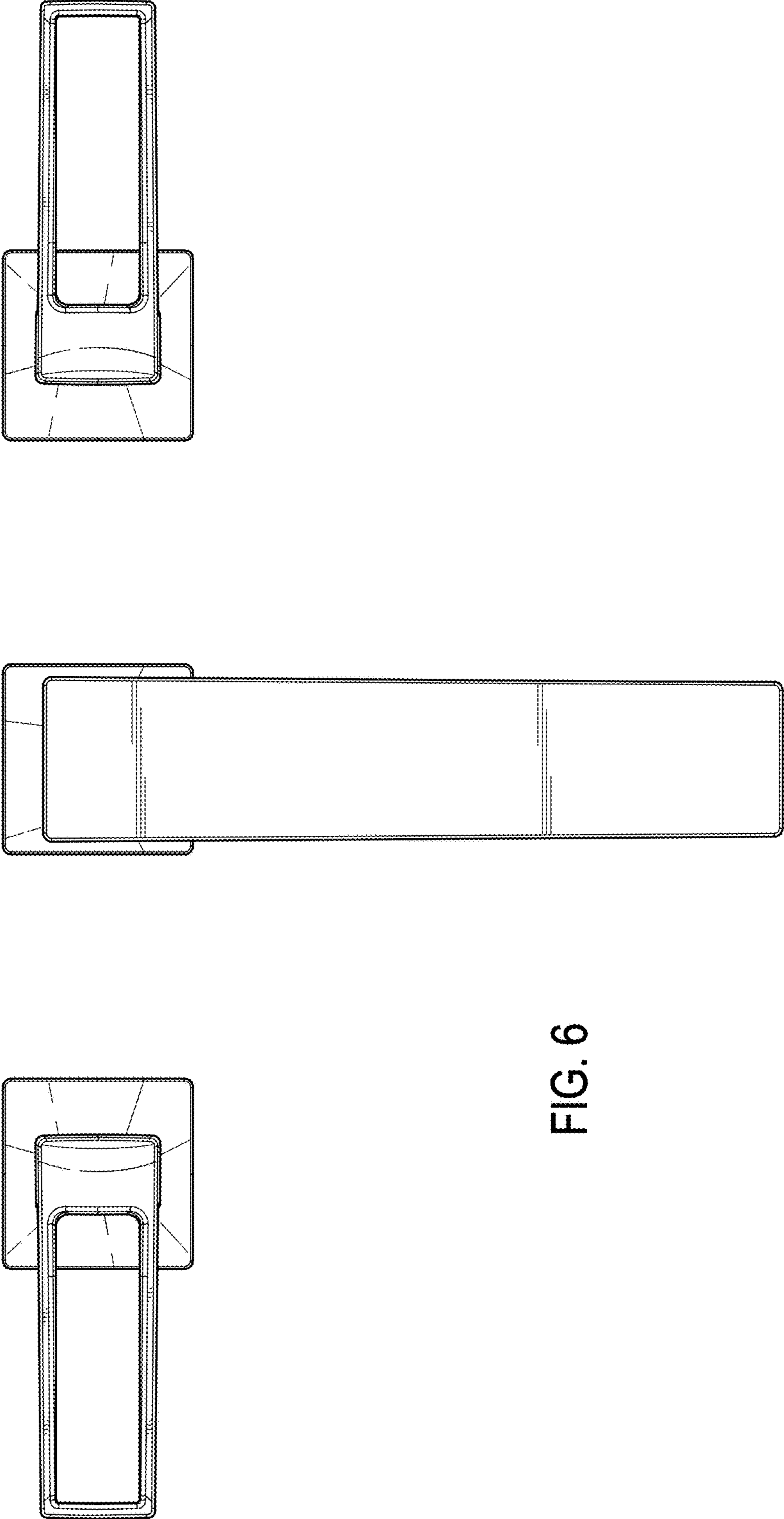


FIG. 6

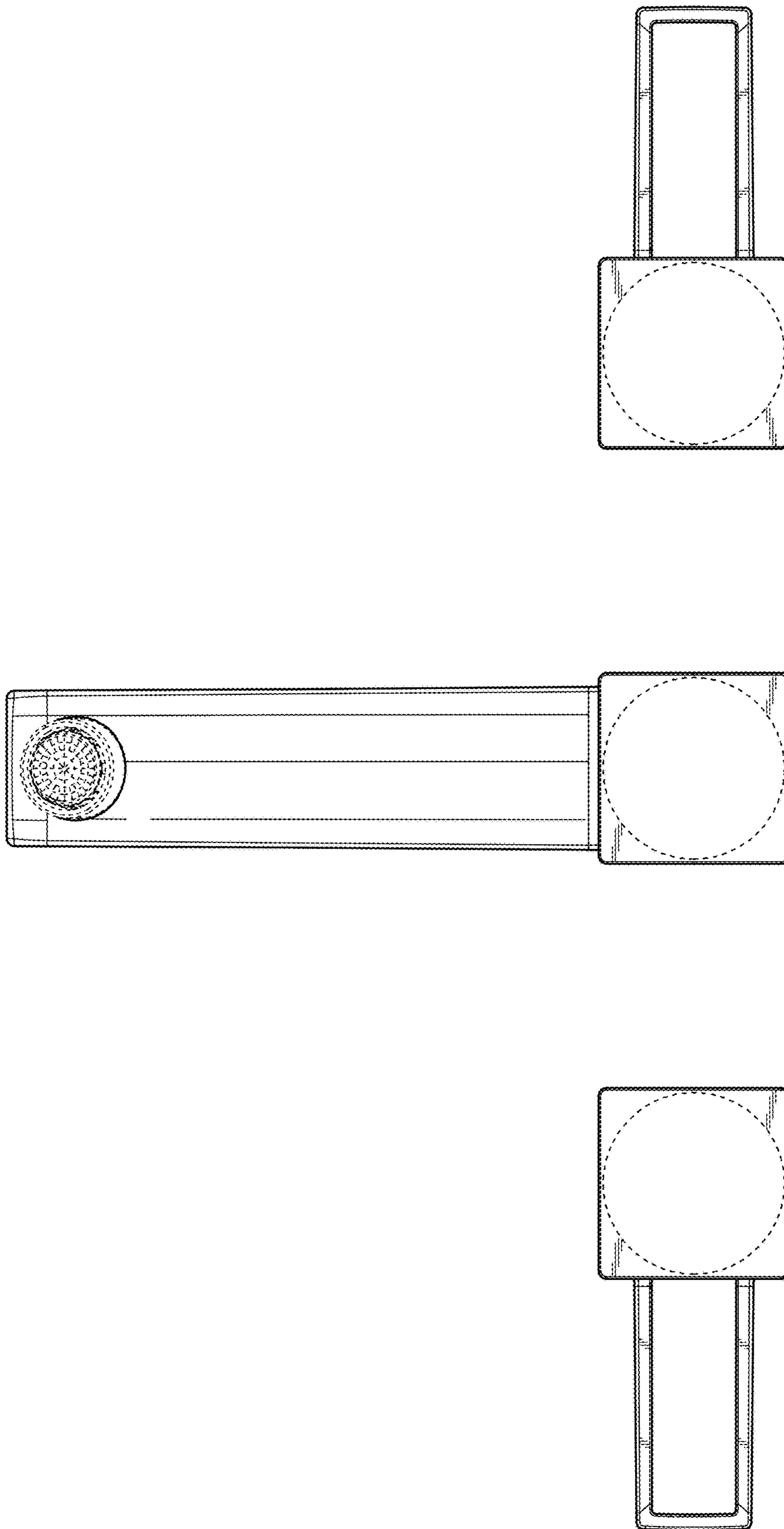


FIG. 7