



US00D810239S

(12) **United States Design Patent** (10) **Patent No.:** **US D810,239 S**
Schoenherr et al. (45) **Date of Patent:** **** Feb. 13, 2018**

(54) **FAUCET**
(71) Applicant: **HANSGROHE SE**, Schiltach (DE)
(72) Inventors: **Tom Schoenherr**, Stuttgart (DE);
Andreas Diefenbach,
Ludwigsburg-Oßweil (DE); **Yunwei**
Zhu, Stuttgart (DE)

D643,908 S * 8/2011 Sieger D23/238
D645,938 S * 9/2011 Ando D23/238
D726,880 S * 4/2015 Kington D23/238
D760,355 S * 6/2016 Citterio D23/238
D790,664 S * 6/2017 Eads D23/238
D790,666 S * 6/2017 Lord D23/239
RE46,484 E * 7/2017 Hanna D23/252

FOREIGN PATENT DOCUMENTS

(73) Assignee: **Hansgrohe SE**, Schiltach (DE)
(**) Term: **15 Years**

CN 301978232 7/2012
CN 302072700 9/2012
CN 302662698 11/2013

(21) Appl. No.: **29/586,832**

* cited by examiner

(22) Filed: **Dec. 7, 2016**

Primary Examiner — Robert A Delehanty

(30) **Foreign Application Priority Data**

(74) *Attorney, Agent, or Firm* — Lora J. Graentzdoerffer

Jun. 8, 2016 (EM) 003180363-0032

(51) **LOC (11) Cl.** **23-01**

(52) **U.S. Cl.**
USPC **D23/238**

(58) **Field of Classification Search**
USPC D23/238, 241–243, 249–250, 252,
D23/254–255, 257; D8/307–308
CPC Y10T 137/9464
See application file for complete search history.

(57) **CLAIM**

The ornamental design for a faucet, as shown and described.

DESCRIPTION

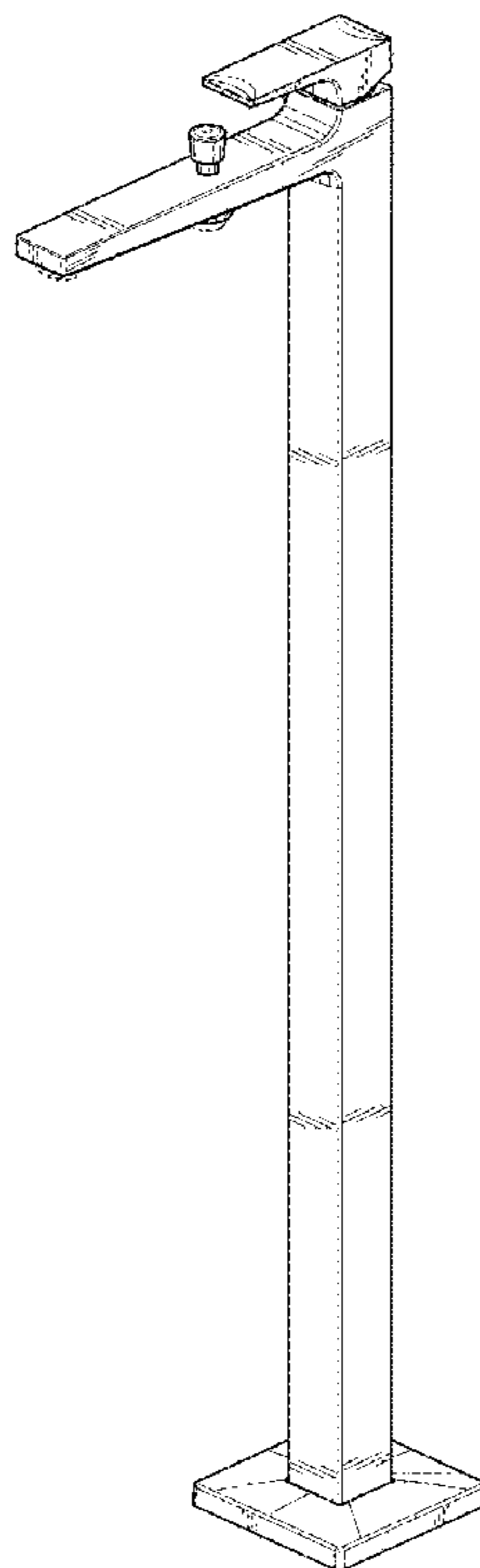
FIG. 1 is a perspective view of a faucet showing our design;
FIG. 2 is a front elevation view;
FIG. 3 is a rear elevation view;
FIG. 4 is a right side elevation view;
FIG. 5 is a left side elevation view;
FIG. 6 is a top plan view; and,
FIG. 7 is a bottom plan view.
The broken-line disclosure in the view represents a portion
of the faucet in which the claimed design is embodied, but
which forms no part of the claimed design.

(56) **References Cited**

U.S. PATENT DOCUMENTS

D583,907 S * 12/2008 Citterio D23/238
D611,575 S * 3/2010 Schoenherr D23/257

1 Claim, 7 Drawing Sheets



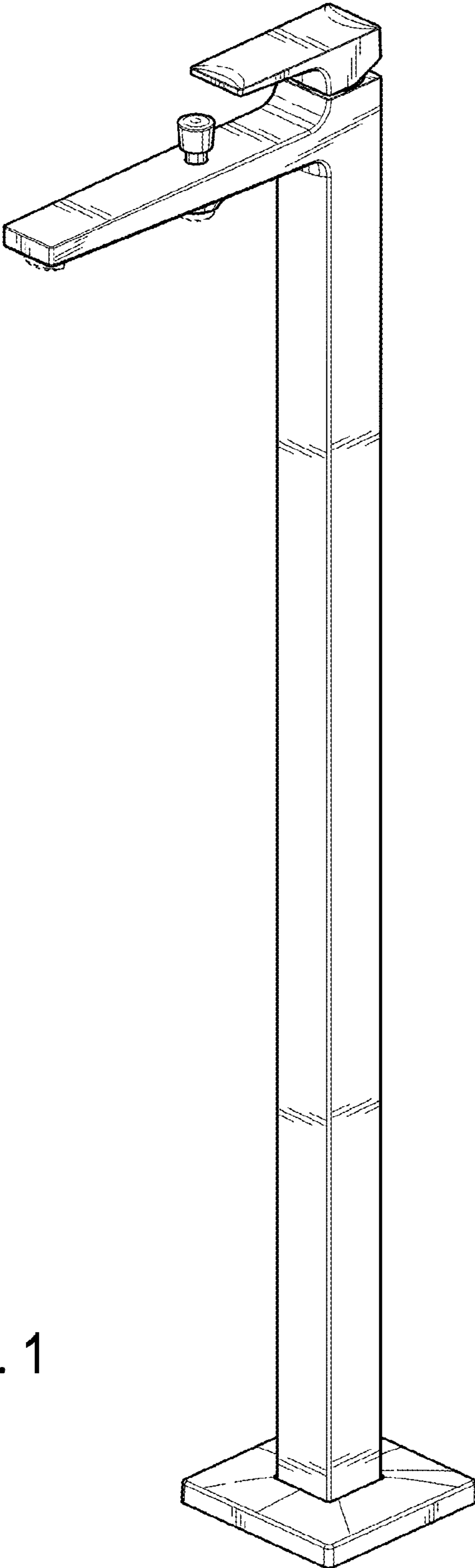


FIG. 1

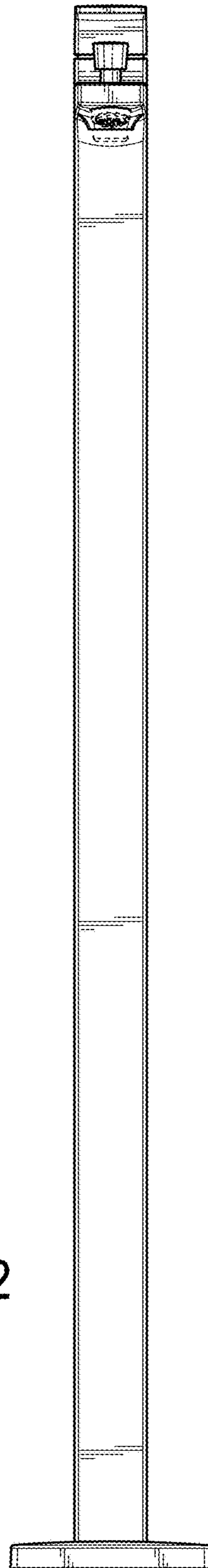


FIG. 2

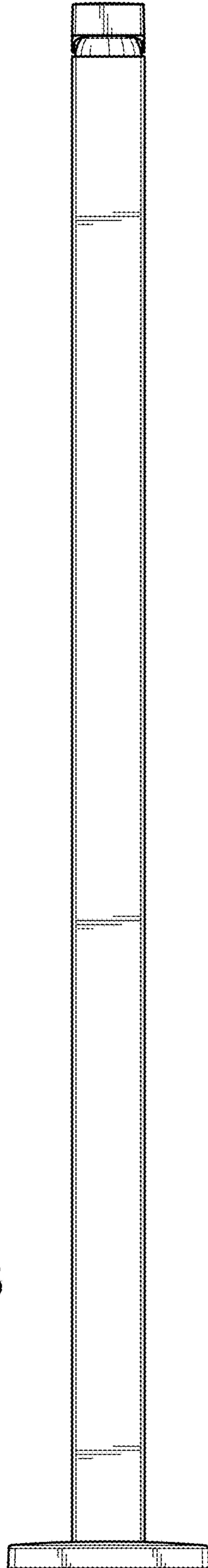


FIG. 3

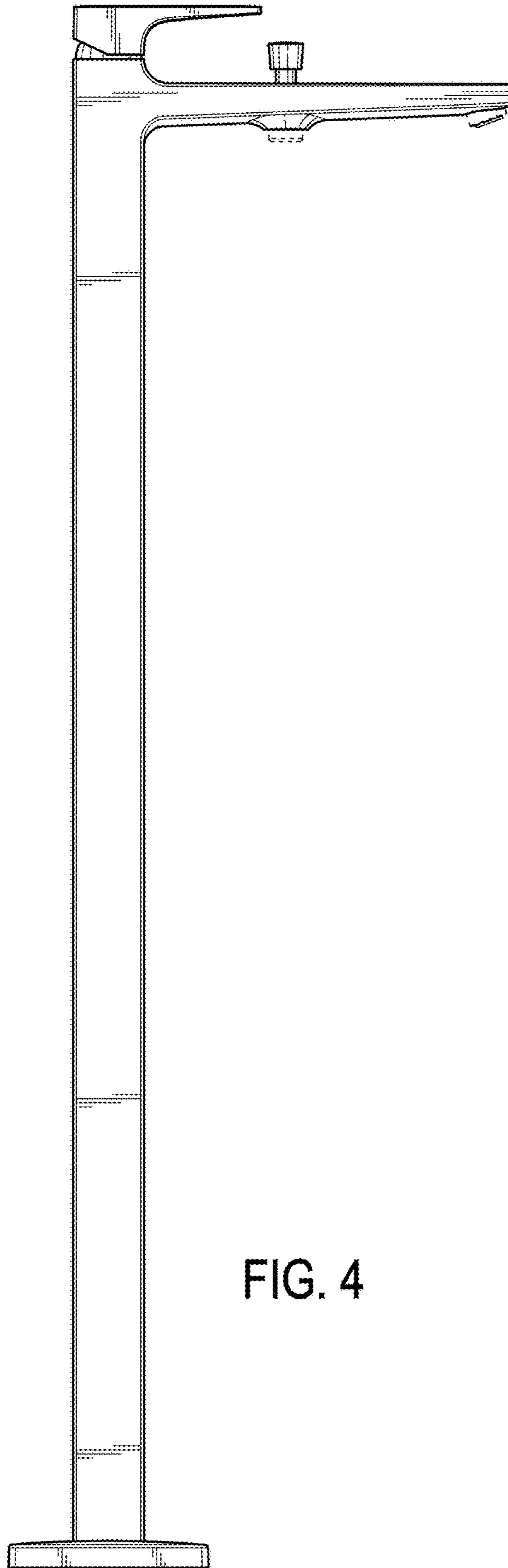


FIG. 4

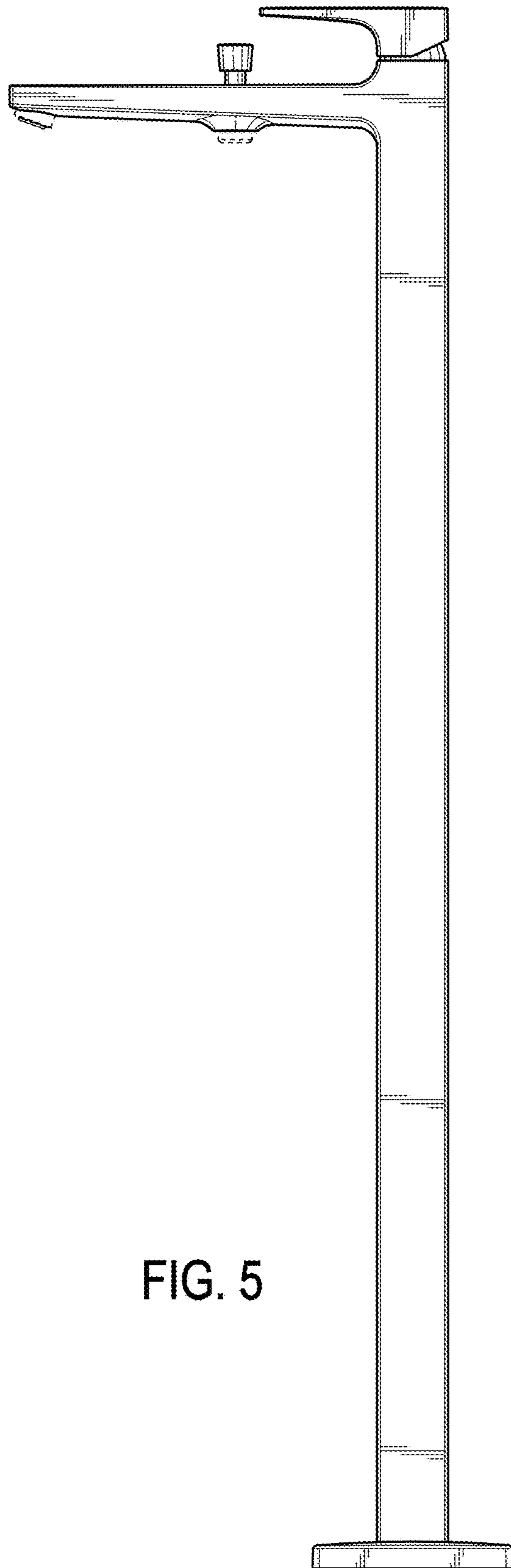


FIG. 5

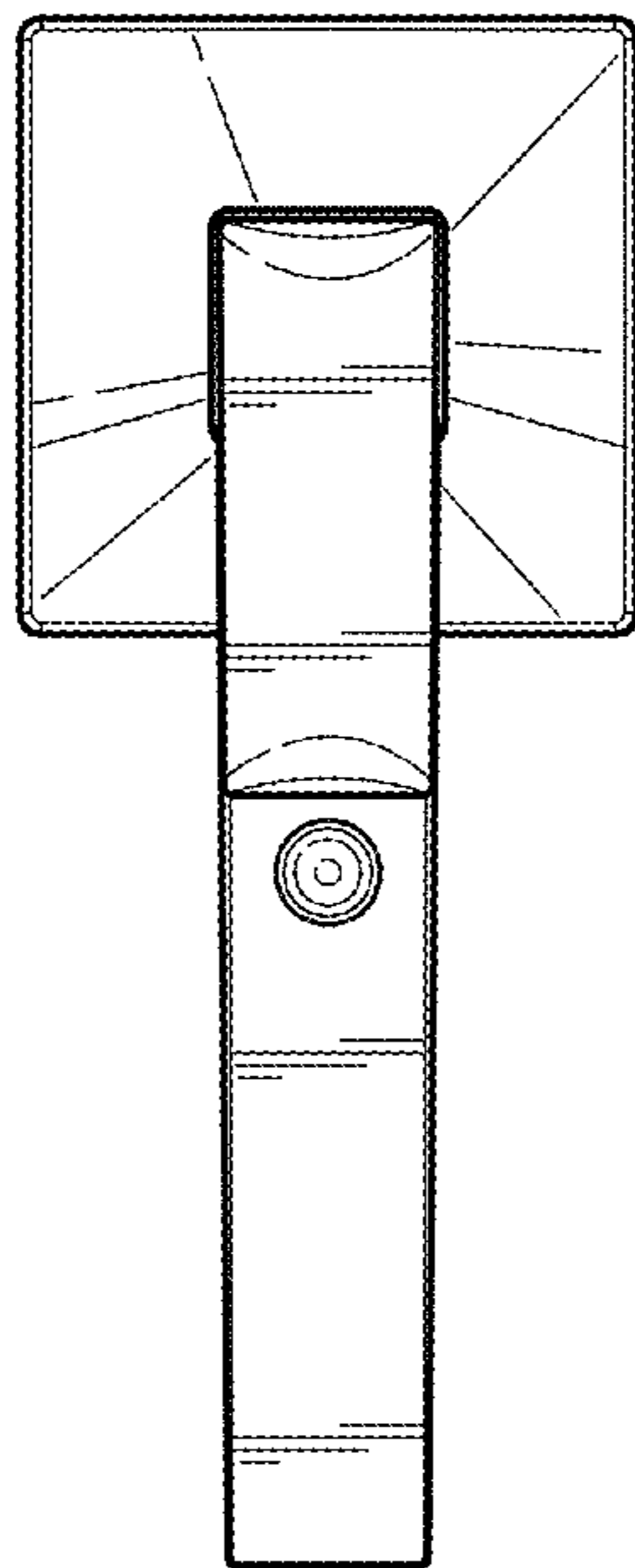


FIG. 6

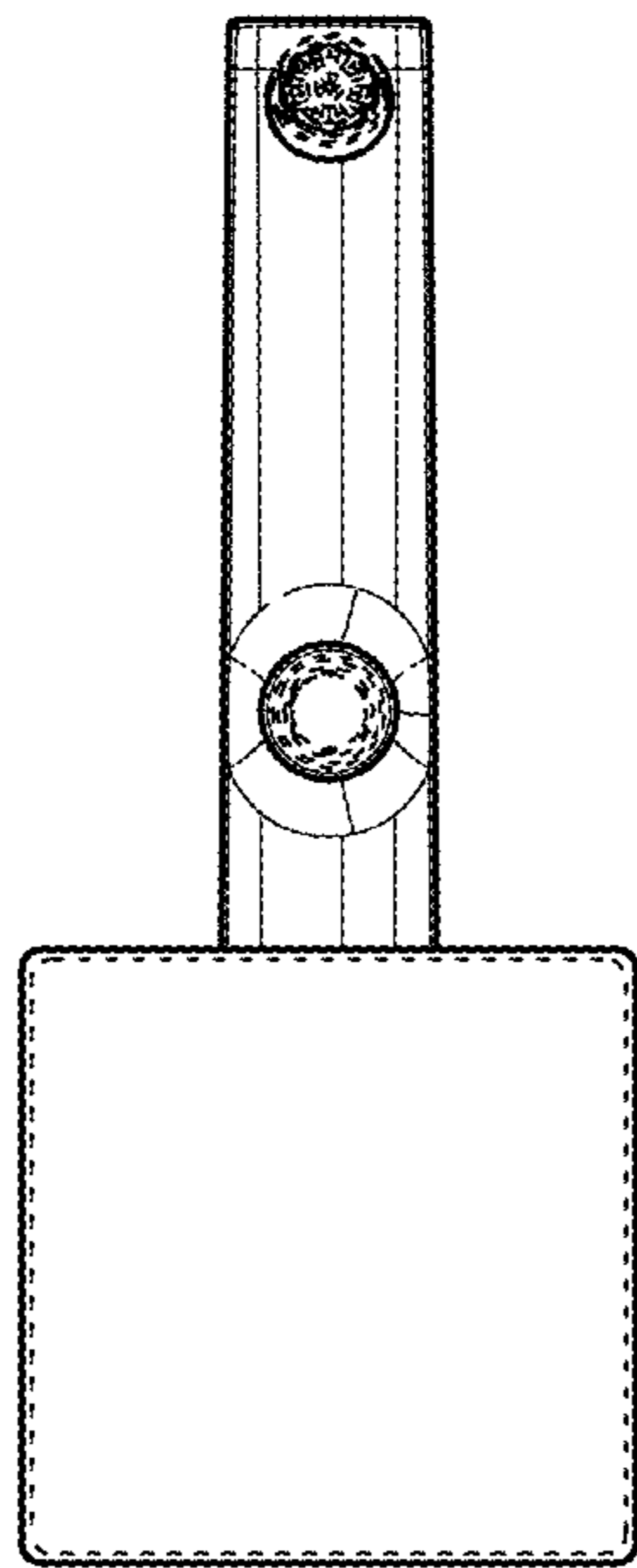


FIG. 7