



US00D810238S

(12) **United States Design Patent** (10) **Patent No.:** **US D810,238 S**
Schoenherr et al. (45) **Date of Patent:** **** Feb. 13, 2018**

(54) **FAUCET**

FOREIGN PATENT DOCUMENTS

(71) Applicant: **HANSGROHE SE**, Schiltach (DE)

CN 302072695 9/2012

(72) Inventors: **Tom Schoenherr**, Stuttgart (DE);
Andreas Diefenbach,
Ludwigsburg-Oßweil (DE); **Yunwei**
Zhu, Stuttgart (DE)

CN 302221849 12/2012

CN 302300747 1/2013

EM 000775804-0022 8/2007

EM 000775804-0023 8/2007

EM 001194757-0001 2/2010

EM 001194757-0002 2/2010

EM 001194757-0003 2/2010

EM 001194757-0004 2/2010

EM 001194757-0005 2/2010

EM 001194757-0006 2/2010

EM 001194757-0007 2/2010

EM 001194757-0008 2/2010

EM 001194757-0009 2/2010

EM 001194757-0010 2/2010

EM 001194757-0011 2/2010

EM 001194757-0012 2/2010

(73) Assignee: **Hansgrohe SE**, Schiltach (DE)

(**) Term: **15 Years**

(21) Appl. No.: **29/586,827**

(22) Filed: **Dec. 7, 2016**

(30) **Foreign Application Priority Data**

Jun. 8, 2016 (EM) 003180363-0027

(51) **LOC (11) Cl.** **23-01**

(52) **U.S. Cl.**
USPC **D23/238**

(58) **Field of Classification Search**
USPC D23/238, 241-243, 249-250, 252,
D23/254-255, 257; D8/307-308

CPC Y10T 137/9464

See application file for complete search history.

(56) **References Cited**

U.S. PATENT DOCUMENTS

D353,441 S	*	12/1994	Haug	D23/238
D493,210 S	*	7/2004	Citterio	D23/238
D519,617 S	*	4/2006	Hoernig	D23/255
D525,346 S	*	7/2006	Kulig	D23/238
D557,384 S	*	12/2007	Garner	D23/255
D665,879 S	*	8/2012	Flowers	D23/252
D665,881 S	*	8/2012	Flowers	D23/252
D704,304 S	*	5/2014	Schoenherr	D23/238
D760,360 S	*	6/2016	Kawakami	D23/255

(Continued)

Primary Examiner — Robert A Delehanty

(74) *Attorney, Agent, or Firm* — Lora J. Graentzdoerffer

(57) **CLAIM**

The ornamental design for a faucet, as shown and described.

DESCRIPTION

FIG. 1 is a perspective view of a faucet showing our design;

FIG. 2 is a front elevation view;

FIG. 3 is a rear elevation view;

FIG. 4 is a right side elevation view;

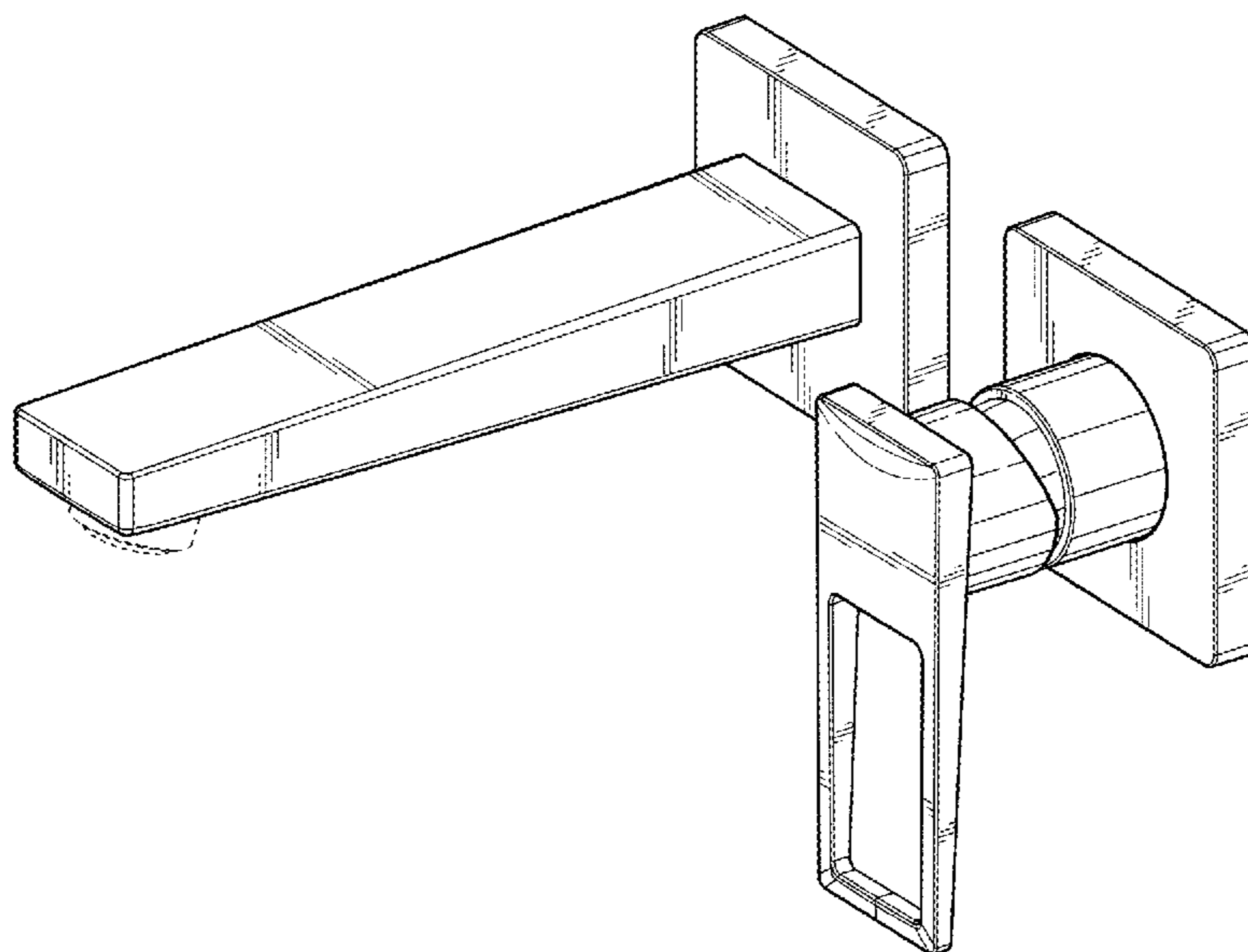
FIG. 5 is a left side elevation view;

FIG. 6 is a top plan view; and,

FIG. 7 is a bottom plan view.

The broken-line disclosure in the view represents a portion of the faucet in which the claimed design is embodied, but which forms no part of the claimed design.

1 Claim, 7 Drawing Sheets



(56)

References Cited

FOREIGN PATENT DOCUMENTS

EM	001194757-0013	2/2010
EM	001194757-0014	2/2010
EM	001194757-0015	2/2010
EM	001375216-0001	6/2013
EM	001375216-0002	6/2013
EM	001375216-0003	6/2013
EM	001375216-0004	6/2013
EM	001375216-0005	6/2013
EM	001375216-0006	6/2013
EM	001375216-0007	6/2013
EM	001375216-0008	6/2013
EM	001375216-0009	6/2013
EM	001375216-0010	6/2013
EM	002329748-0004	10/2013

* cited by examiner

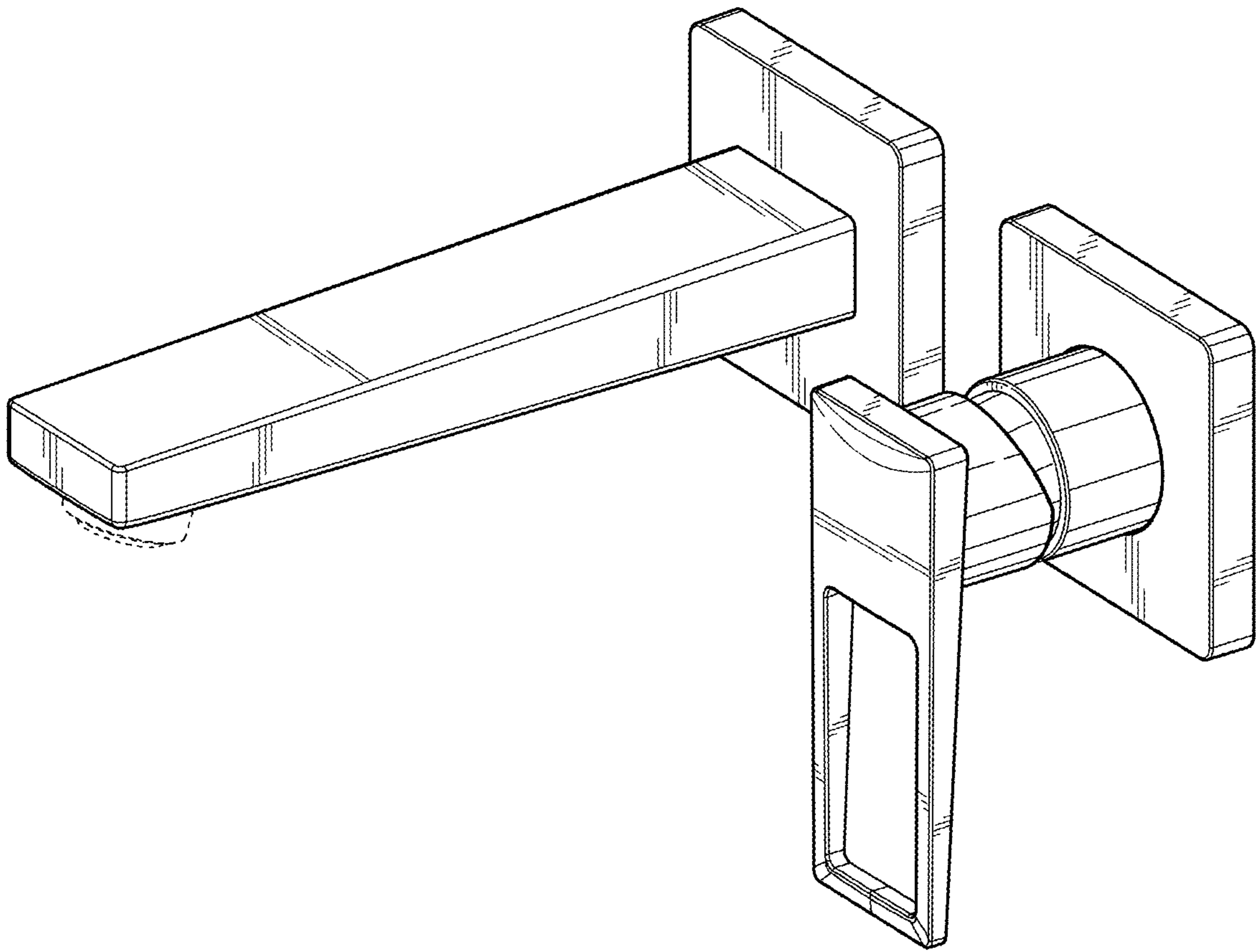


FIG. 1

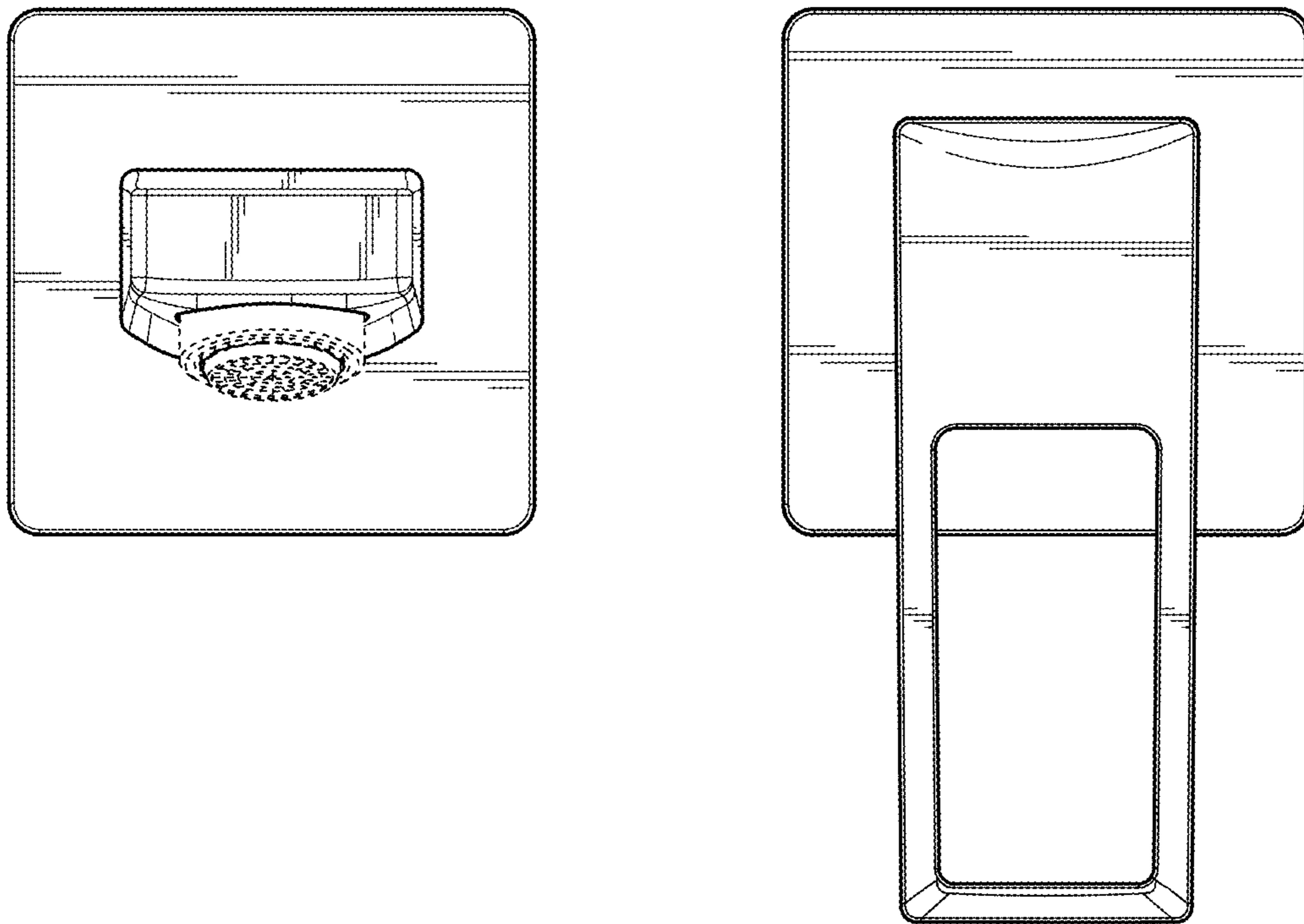


FIG. 2

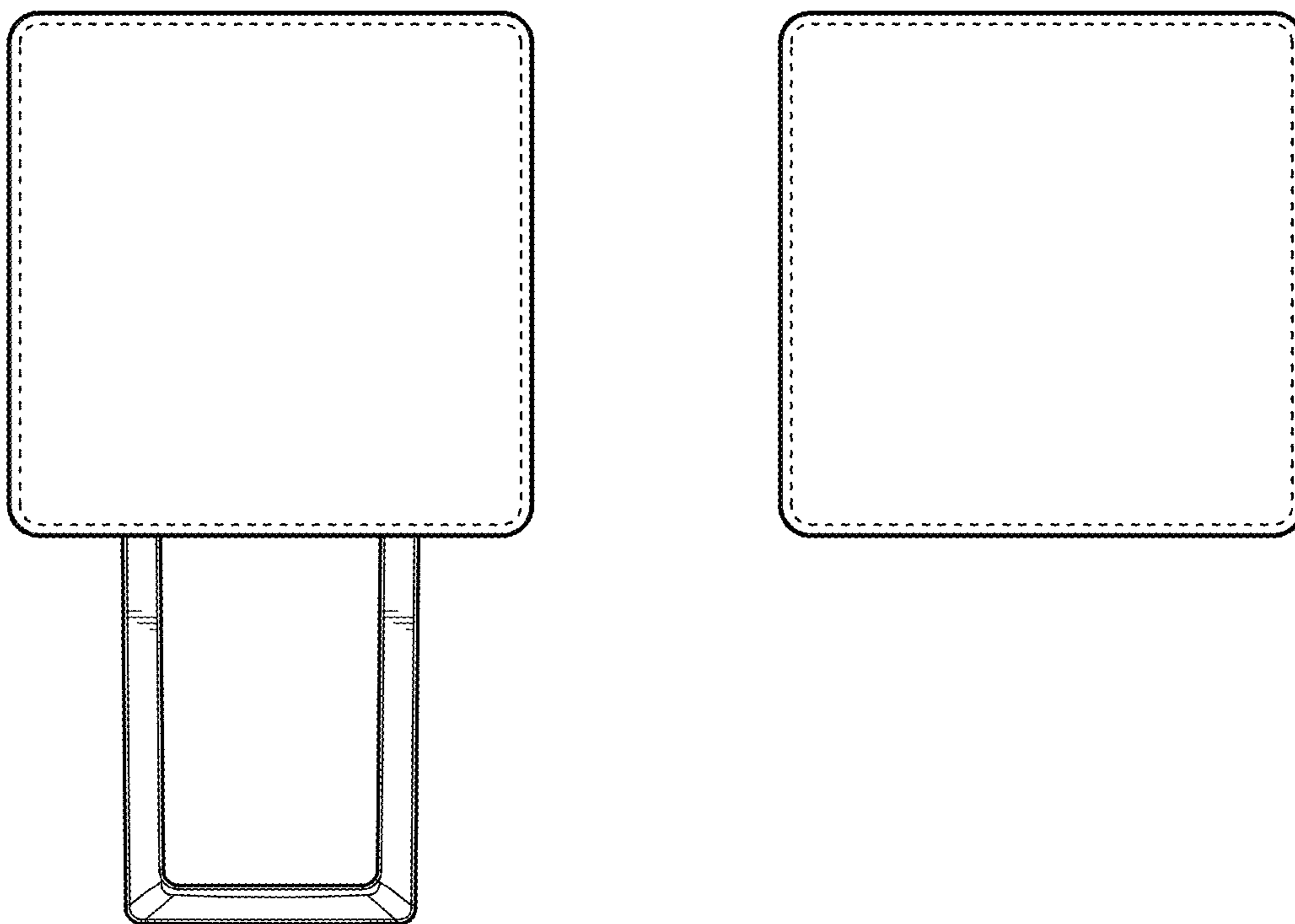


FIG. 3

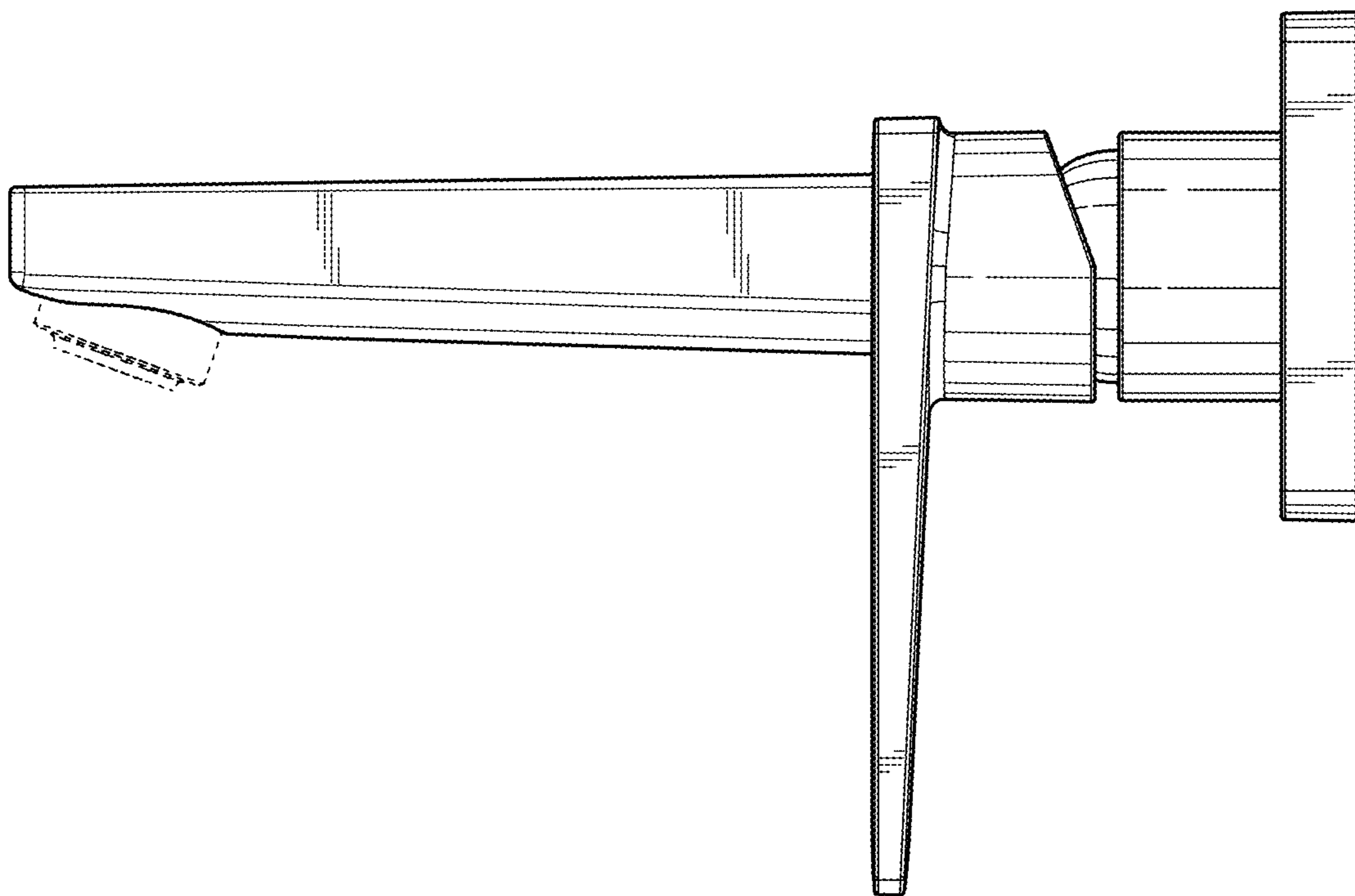


FIG. 4

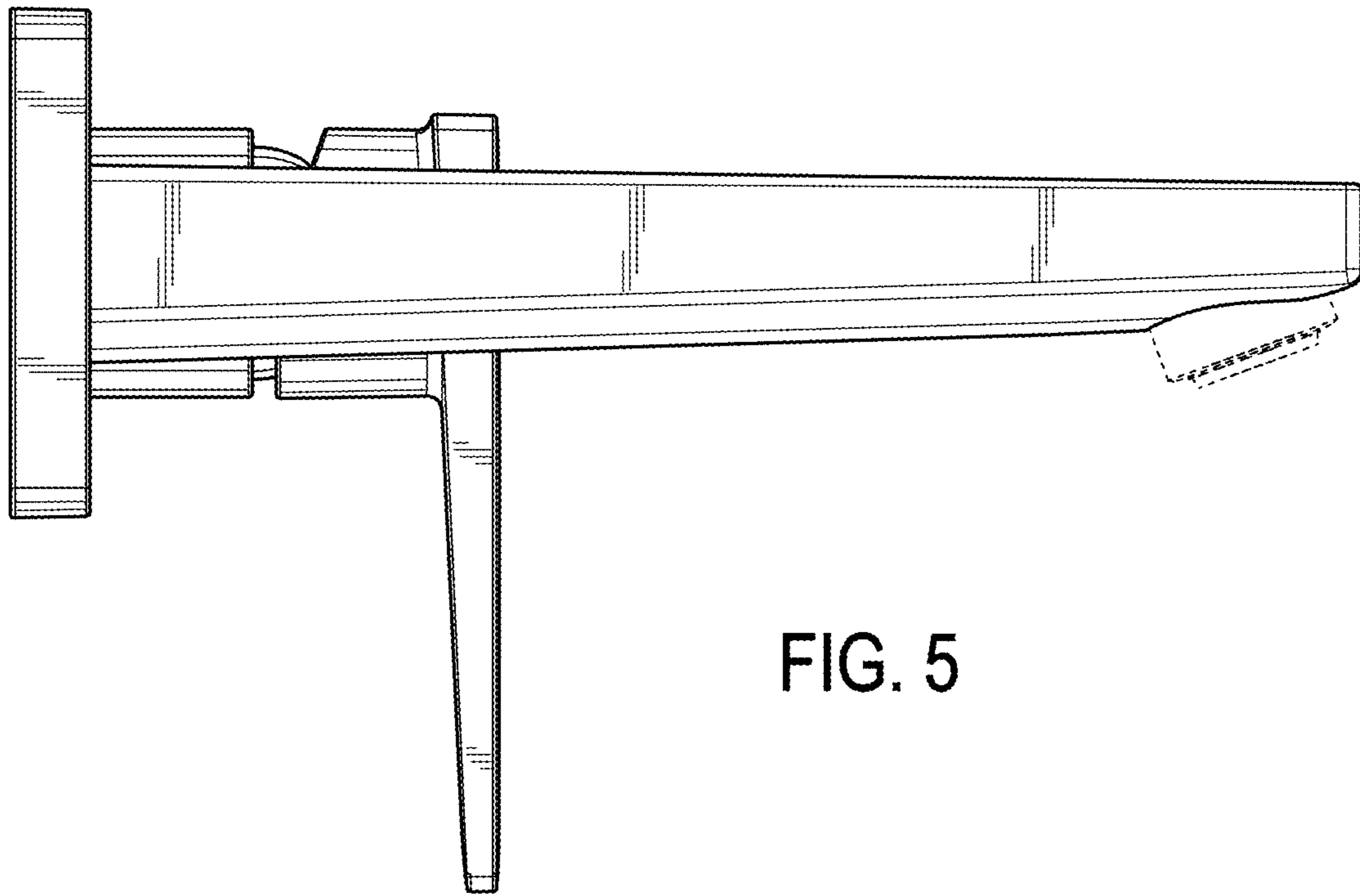


FIG. 5

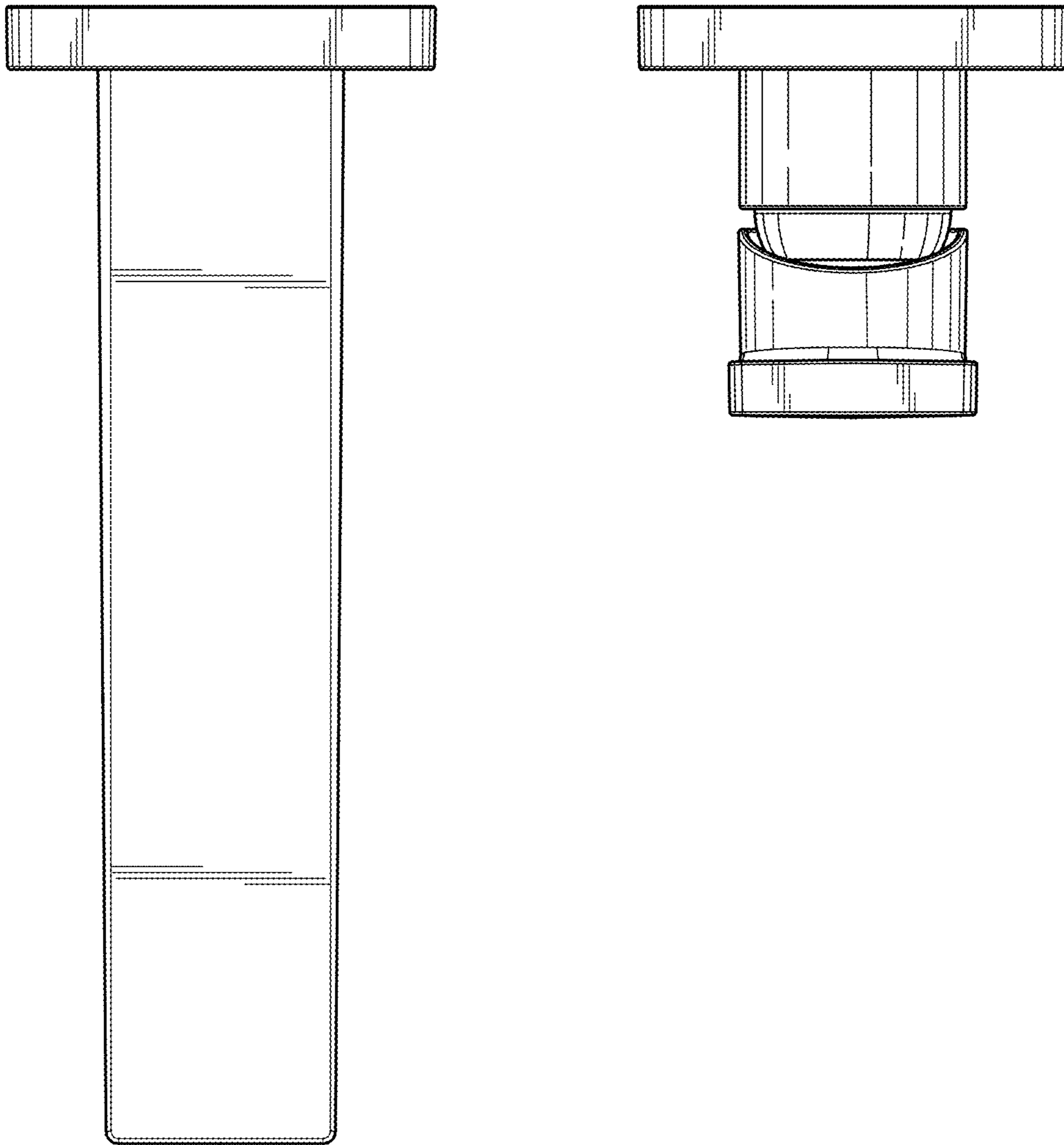


FIG. 6

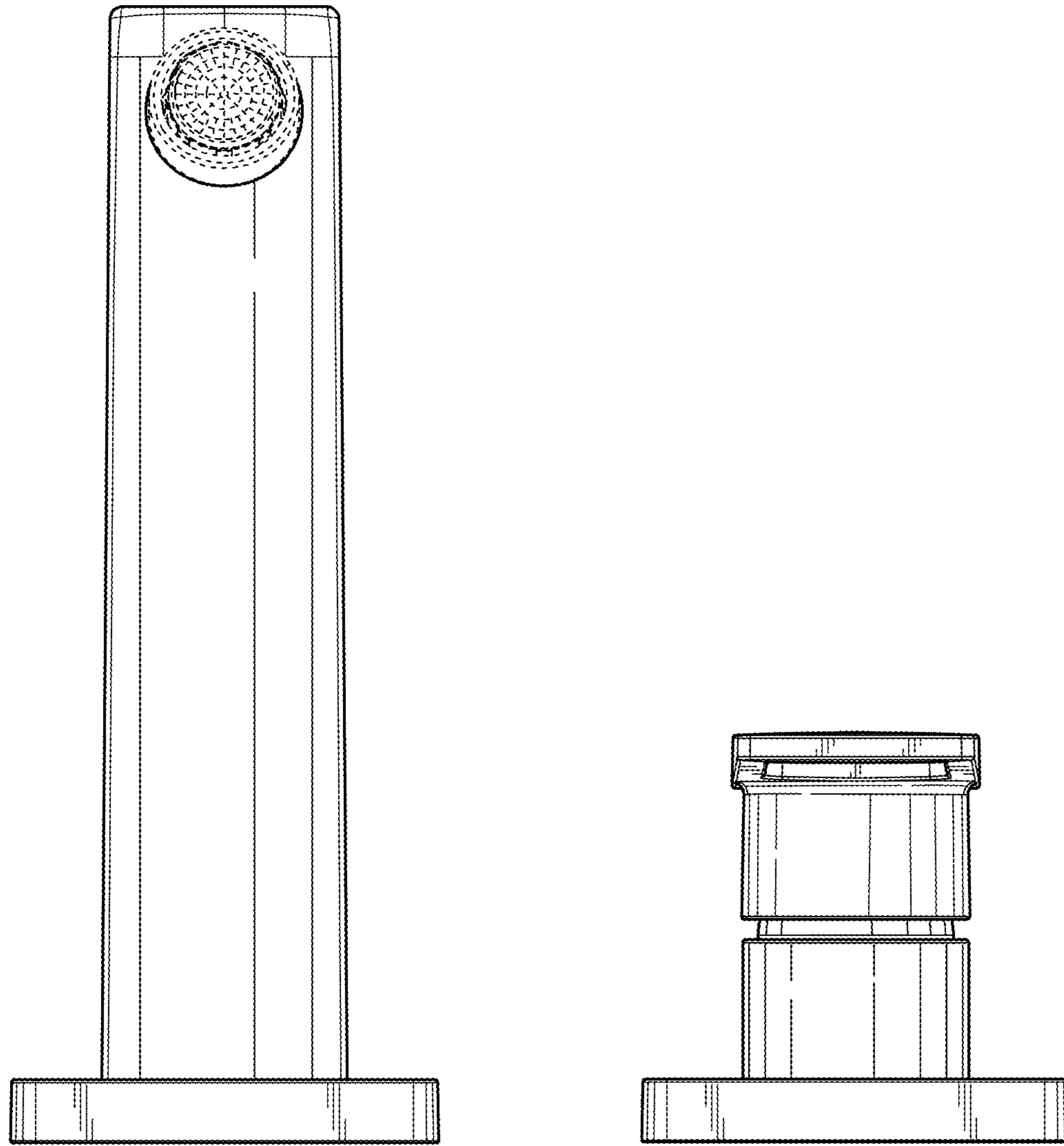


FIG. 7