



US00D810237S

(12) **United States Design Patent** (10) **Patent No.:** **US D810,237 S**  
**Schoenherr et al.** (45) **Date of Patent:** **\*\* Feb. 13, 2018**

(54) **FAUCET**

(71) Applicant: **HANSGROHE SE**, Schiltach (DE)

(72) Inventors: **Tom Schoenherr**, Stuttgart (DE);  
**Andreas Diefenbach**,  
Ludwigsburg-Oßweil (DE); **Yunwei  
Zhu**, Stuttgart (DE)

(73) Assignee: **Hansgrohe SE**, Schiltach (DE)

(\*\*) Term: **15 Years**

(21) Appl. No.: **29/586,780**

(22) Filed: **Dec. 7, 2016**

(30) **Foreign Application Priority Data**

Jun. 8, 2016 (EM) ..... 003180363-0014

(51) **LOC (11) Cl.** ..... **23-01**

(52) **U.S. Cl.**  
USPC ..... **D23/238**

(58) **Field of Classification Search**  
USPC ..... D23/238, 241–243, 249–250, 252,  
D23/254–255, 257; D8/307–308  
CPC ..... Y10T 137/9464  
See application file for complete search history.

(56) **References Cited**

**U.S. PATENT DOCUMENTS**

D538,402 S *	3/2007	Lammel	.....	D23/238
D553,714 S *	10/2007	Demmer	.....	D23/238
D580,527 S *	11/2008	Zhang	.....	D23/255
D636,064 S *	4/2011	Schoenherr	.....	D23/255
D639,394 S *	6/2011	Citterio	.....	D23/238

D660,403 S *	5/2012	Flowers	.....	D23/241
D665,879 S *	8/2012	Flowers	.....	D23/252
D665,881 S *	8/2012	Flowers	.....	D23/252
D698,903 S *	2/2014	Gilbert	.....	D23/249
D734,433 S *	7/2015	Sieger	.....	D23/238

**FOREIGN PATENT DOCUMENTS**

CN	302589600	9/2013
CN	303951374	11/2016
EM	001246680-0001	11/2010
EM	001246680-0002	11/2010
EM	001246680-0003	11/2010
EM	001246680-0004	11/2010
EM	001246680-0005	11/2010
EM	002056473-0006	6/2012

\* cited by examiner

*Primary Examiner* — Robert A Delehanty

(74) *Attorney, Agent, or Firm* — Lora J. Graentzdoerffer

(57) **CLAIM**

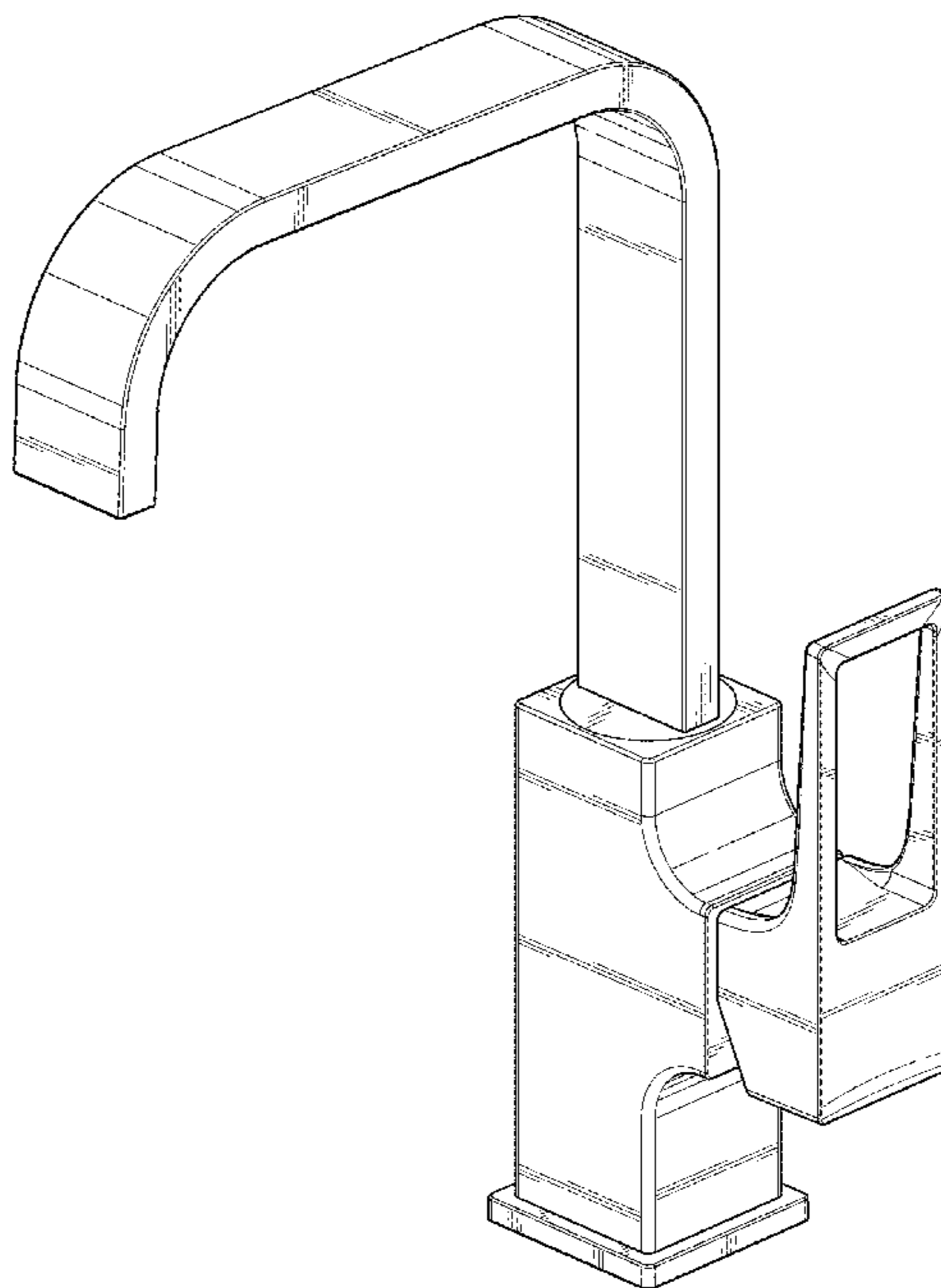
The ornamental design for a faucet, as shown and described.

**DESCRIPTION**

FIG. 1 is a perspective view of a faucet showing our design;  
FIG. 2 is a front elevation view;  
FIG. 3 is a rear elevation view;  
FIG. 4 is a right side elevation view;  
FIG. 5 is a left side elevation view;  
FIG. 6 is a top plan view; and,  
FIG. 7 is a bottom plan view.

The broken-line disclosure in the view represents a portion of the faucet in which the claimed design is embodied, but which forms no part of the claimed design.

**1 Claim, 7 Drawing Sheets**



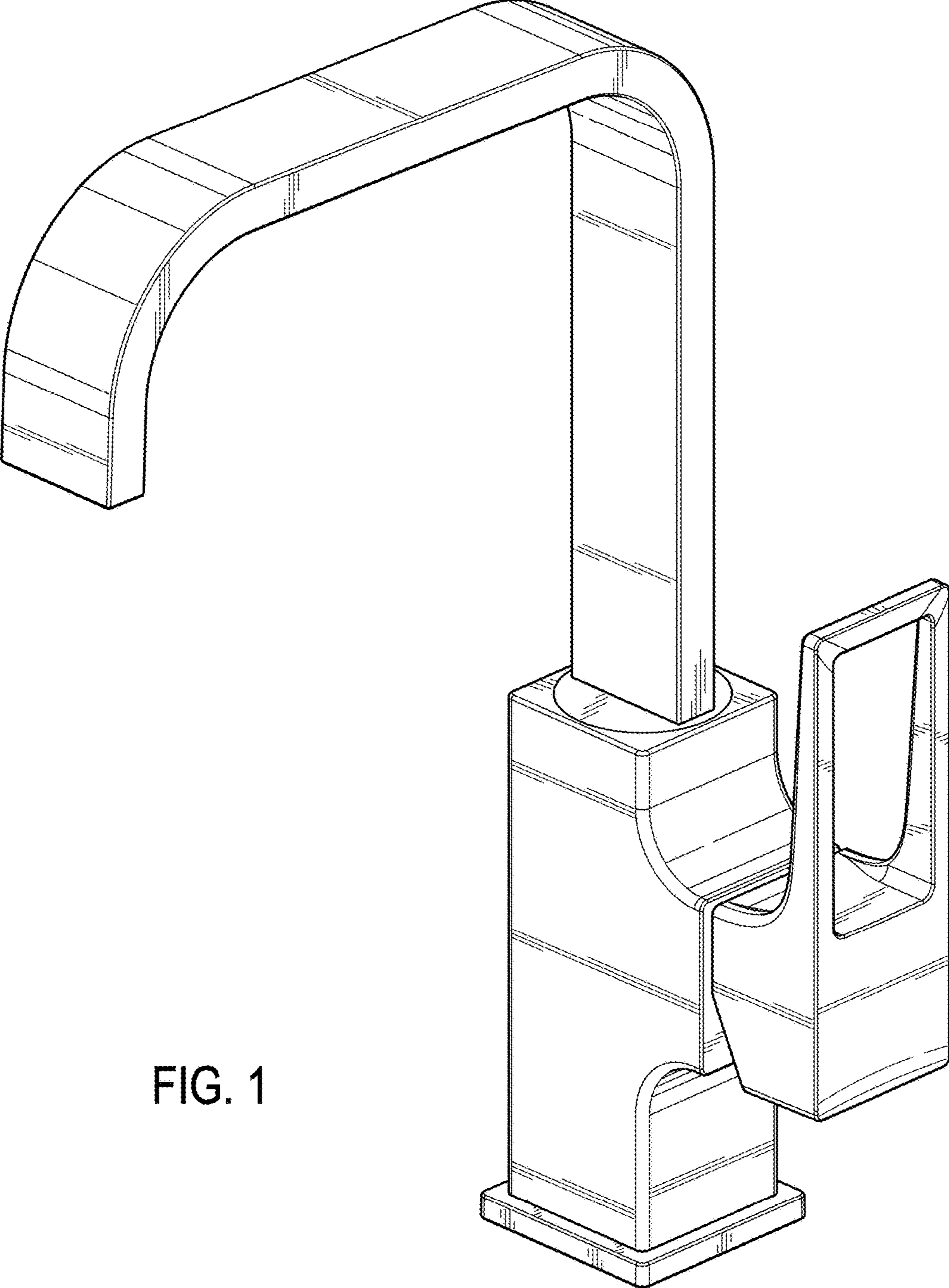


FIG. 1

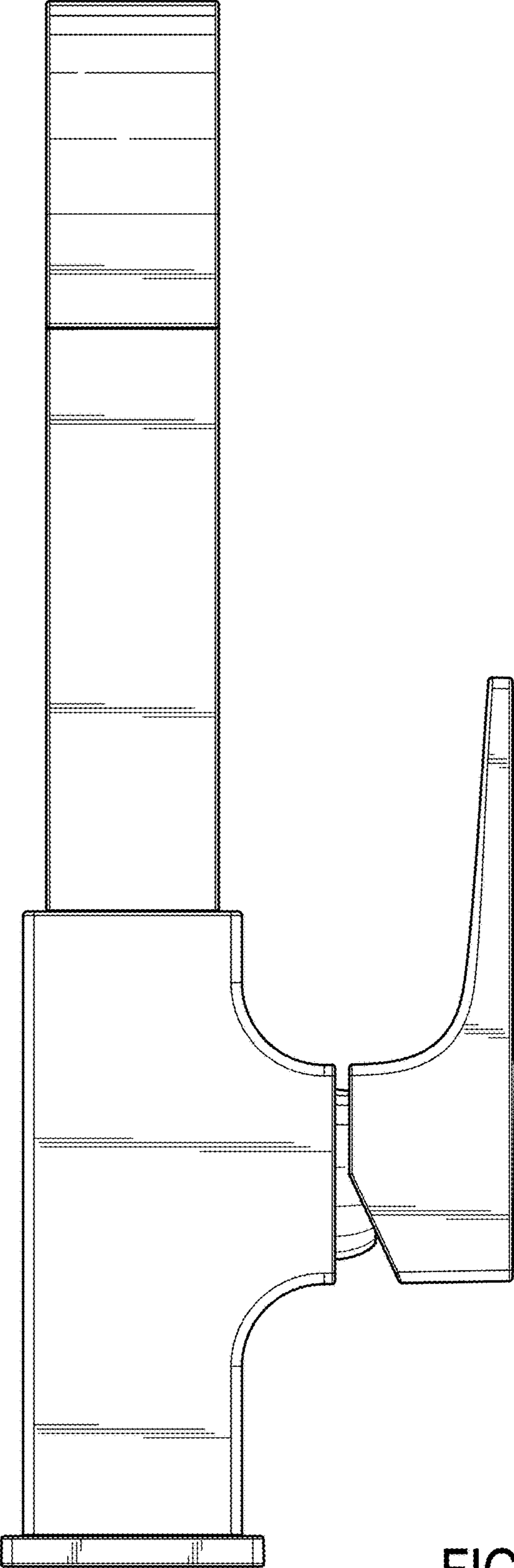


FIG. 2

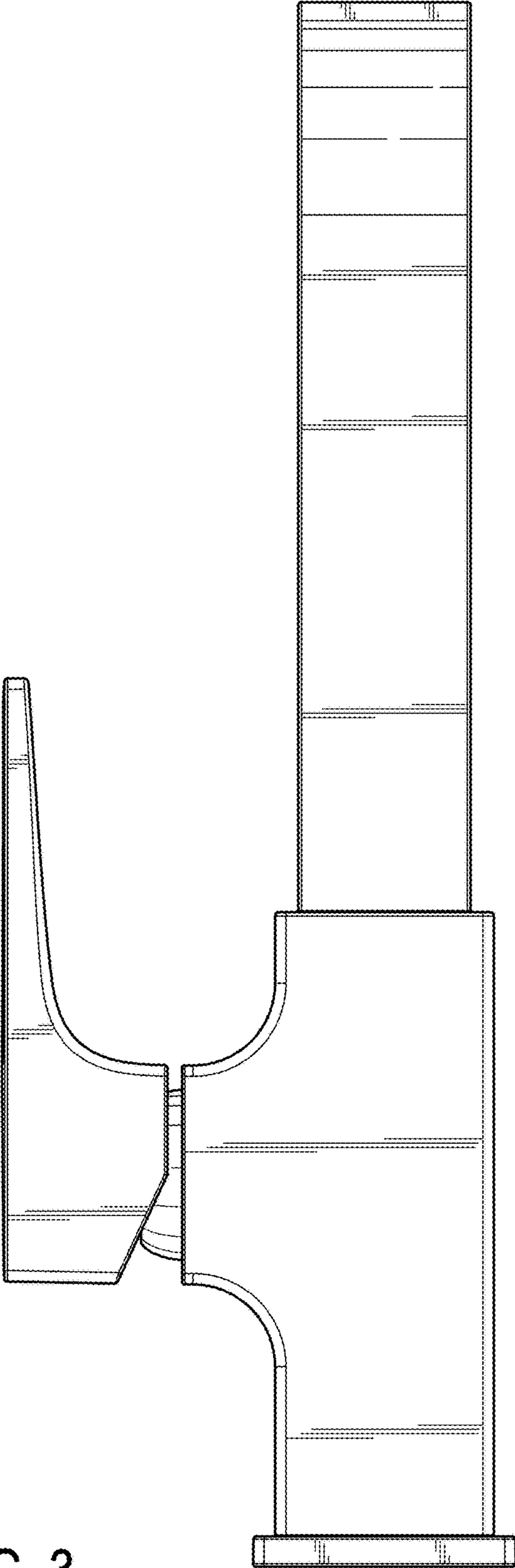


FIG. 3

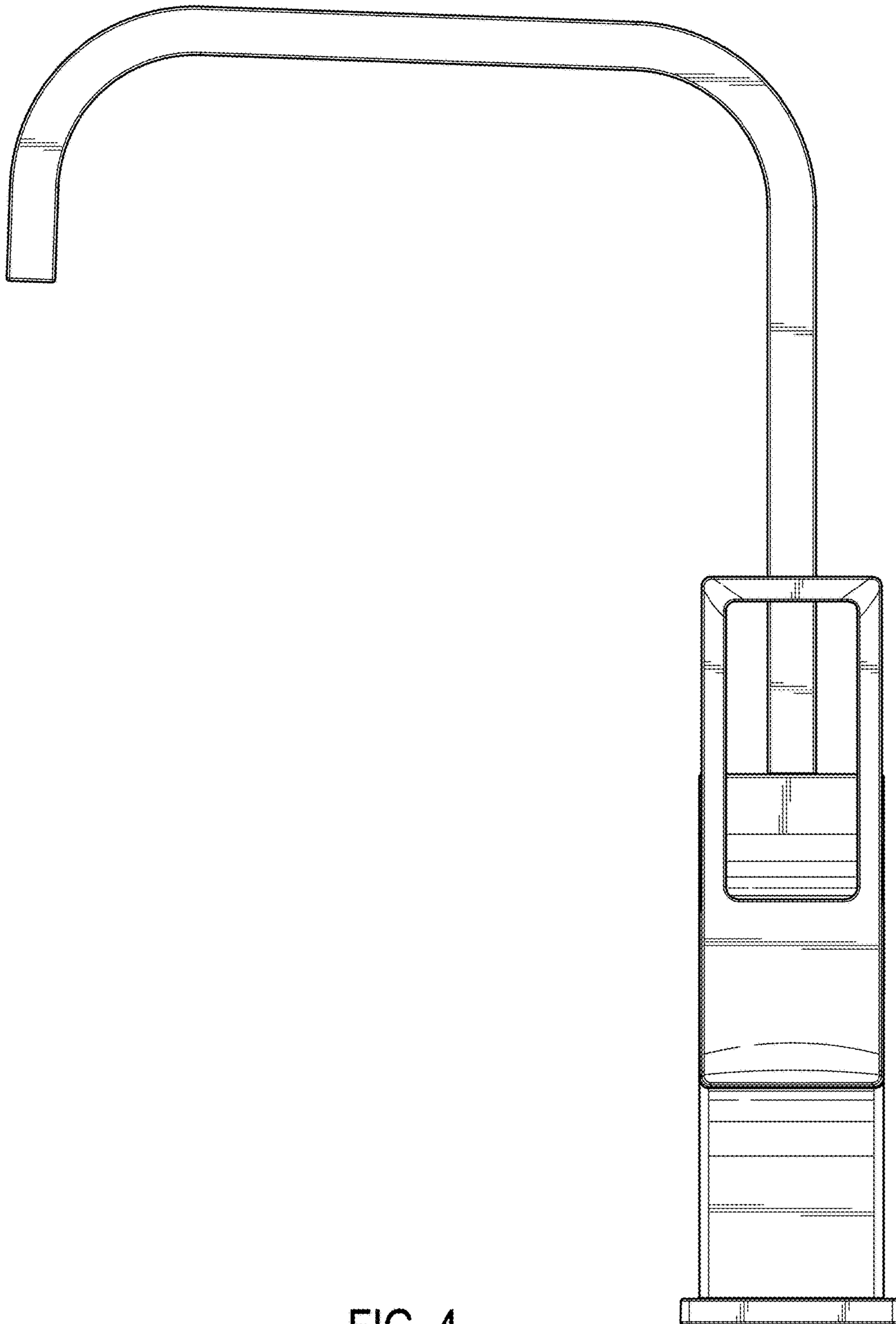


FIG. 4

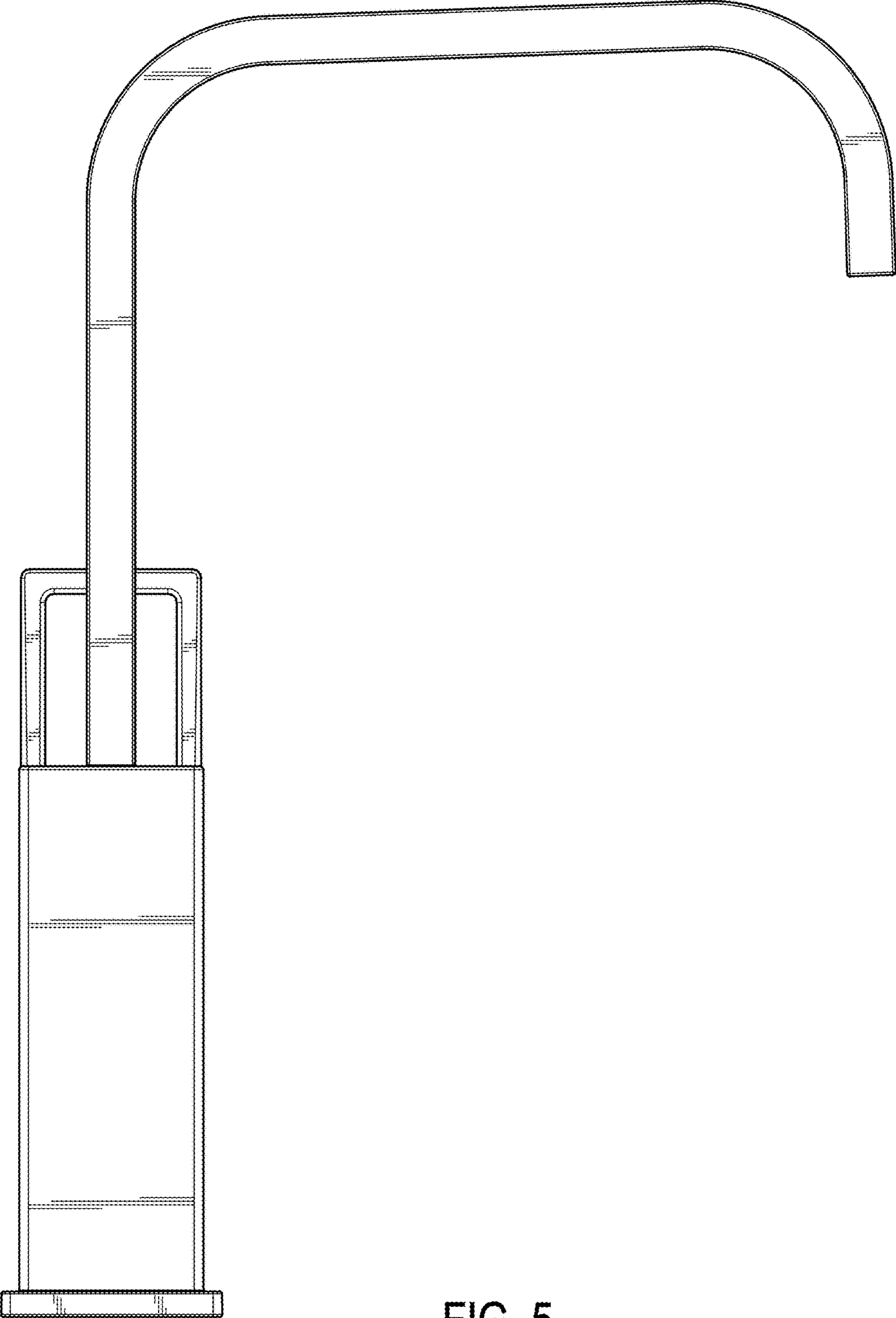


FIG. 5

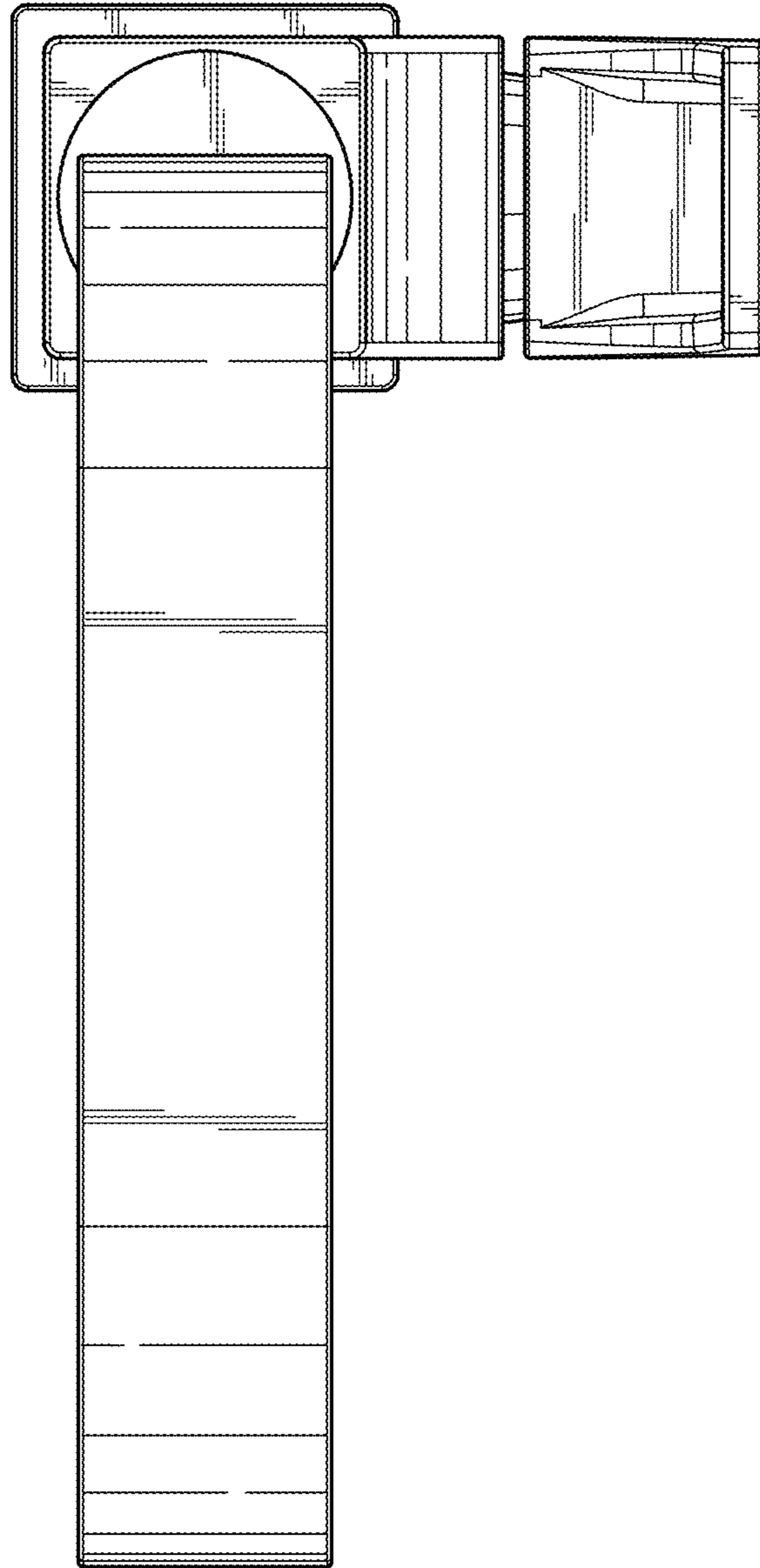


FIG. 6

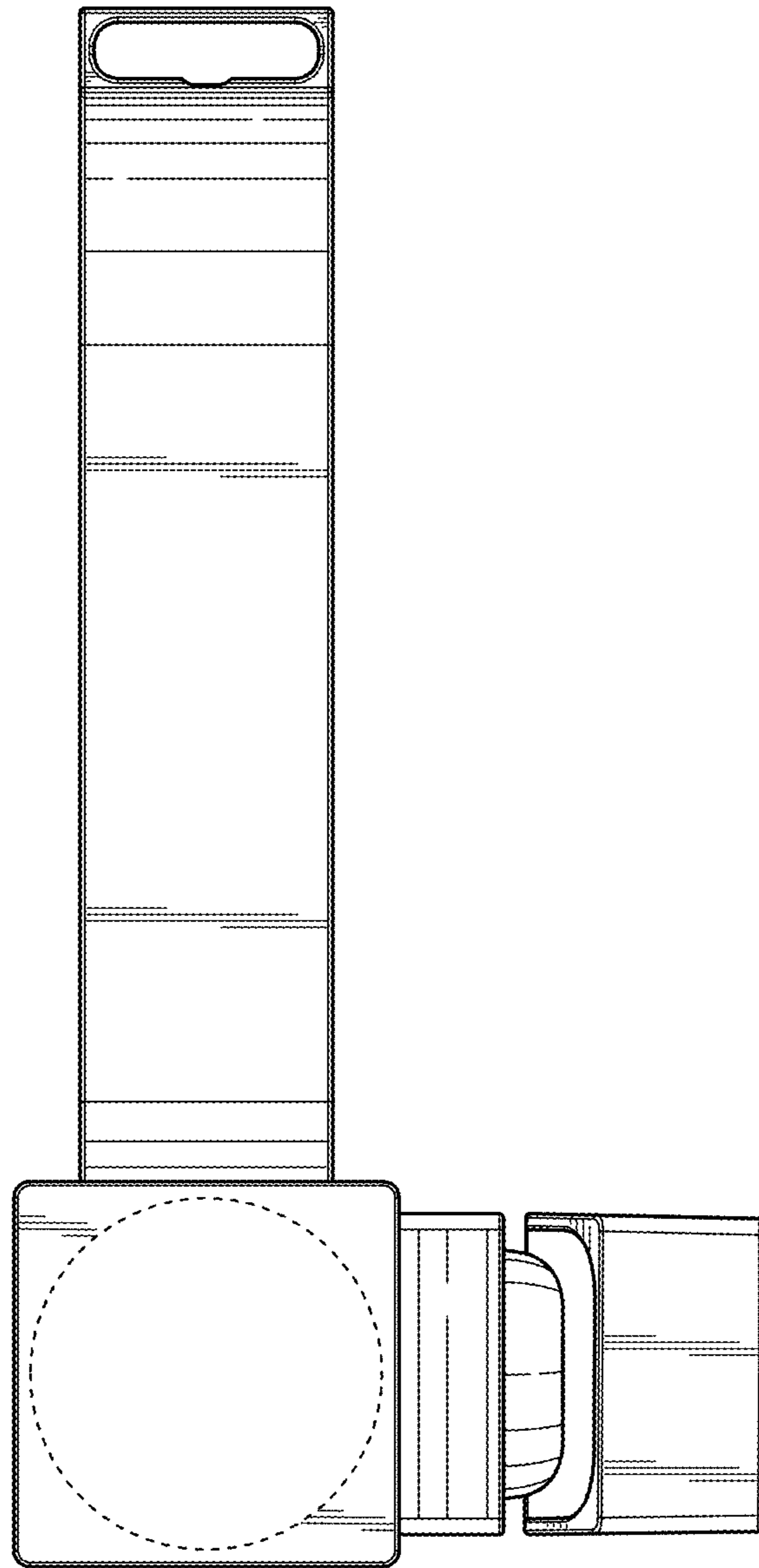


FIG. 7