



US00D810236S

(12) **United States Design Patent**
Schoenherr et al.

(10) **Patent No.:** **US D810,236 S**
(45) **Date of Patent:** **** Feb. 13, 2018**

(54) **FAUCET**

D698,903 S * 2/2014 Gilbert D23/249
D734,433 S * 7/2015 Sieger D23/238
RE46,484 E * 7/2017 Hanna D23/252

(71) Applicant: **HANSGROHE SE**, Schiltach (DE)

(72) Inventors: **Tom Schoenherr**, Stuttgart (DE);
Andreas Diefenbach,
Ludwigsburg-Oßweil (DE); **Yunwei**
Zhu, Stuttgart (DE)

(73) Assignee: **Hansgrohe SE**, Schiltach (DE)

(**) Term: **15 Years**

(21) Appl. No.: **29/586,778**

(22) Filed: **Dec. 7, 2016**

(30) **Foreign Application Priority Data**

Jun. 8, 2016 (EM) 003180363-0013

(51) **LOC (11) Cl.** **23-01**

(52) **U.S. Cl.**
USPC **D23/238**

(58) **Field of Classification Search**
USPC D23/238, 241–243, 249–250, 252,
D23/254–255, 257; D8/307–308
CPC Y10T 137/9464
See application file for complete search history.

(56) **References Cited**

U.S. PATENT DOCUMENTS

D580,527 S * 11/2008 Zhang D23/255
D636,064 S * 4/2011 Schoenherr D23/255
D639,394 S * 6/2011 Citterio D23/238

FOREIGN PATENT DOCUMENTS

CN 302589600 9/2013
CN 303951374 11/2016
EM 001246680-0001 11/2010
EM 001246680-0002 11/2010
EM 001246680-0003 11/2010
EM 001246680-0004 11/2010
EM 001246680-0005 11/2010
EM 002056473-0006 6/2012

* cited by examiner

Primary Examiner — Robert A Delehanty

(74) *Attorney, Agent, or Firm* — Lora J. Graentzdoerffer

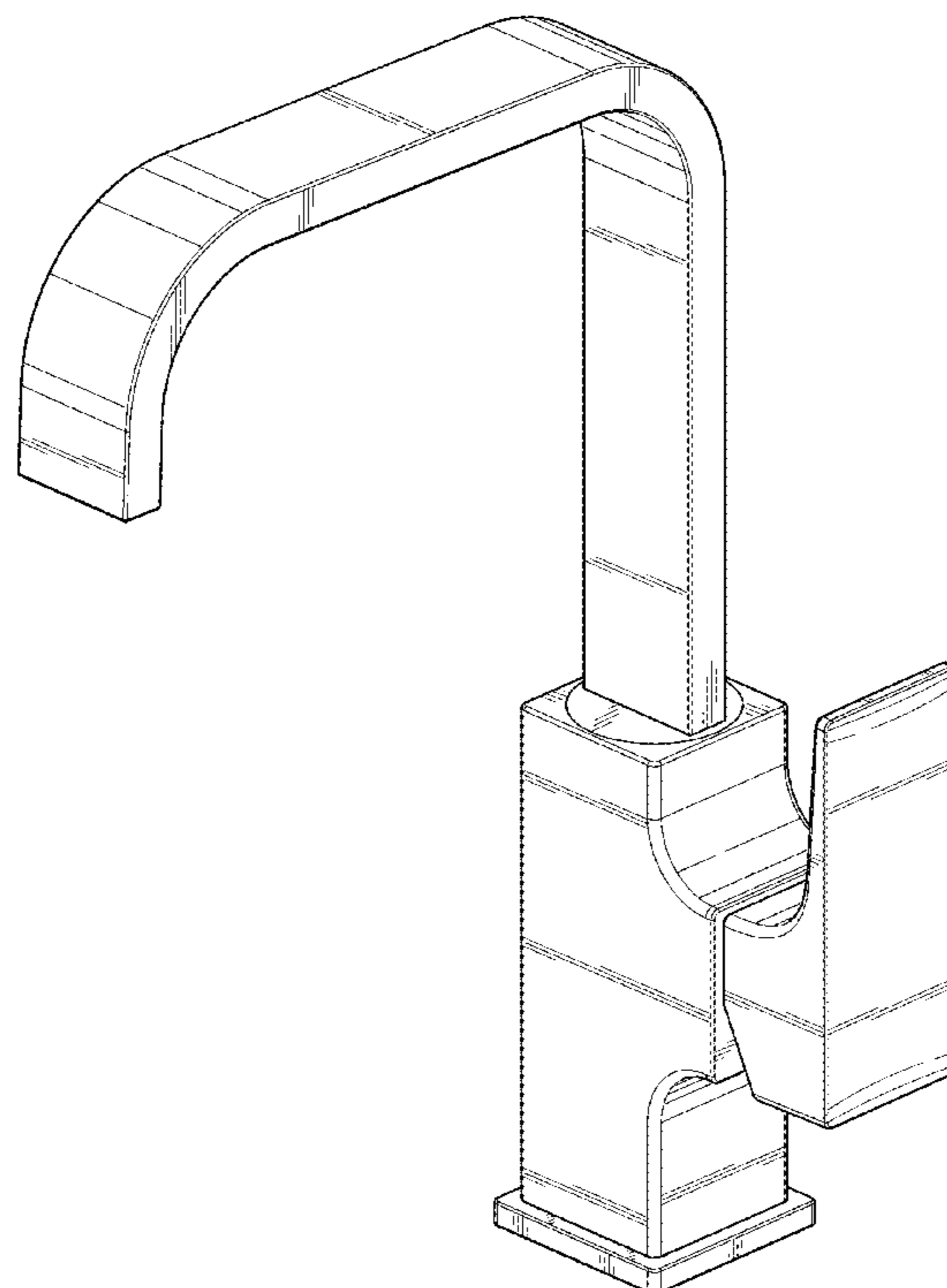
(57) **CLAIM**

The ornamental design for a faucet, as shown and described.

DESCRIPTION

FIG. 1 is a perspective view of a faucet showing our design;
FIG. 2 is a front elevation view;
FIG. 3 is a rear elevation view;
FIG. 4 is a right side elevation view;
FIG. 5 is a left side elevation view;
FIG. 6 is a top plan view; and,
FIG. 7 is a bottom plan view.
The broken-line disclosure in the view represents a portion
of the faucet in which the claimed design is embodied, but
which forms no part of the claimed design.

1 Claim, 7 Drawing Sheets



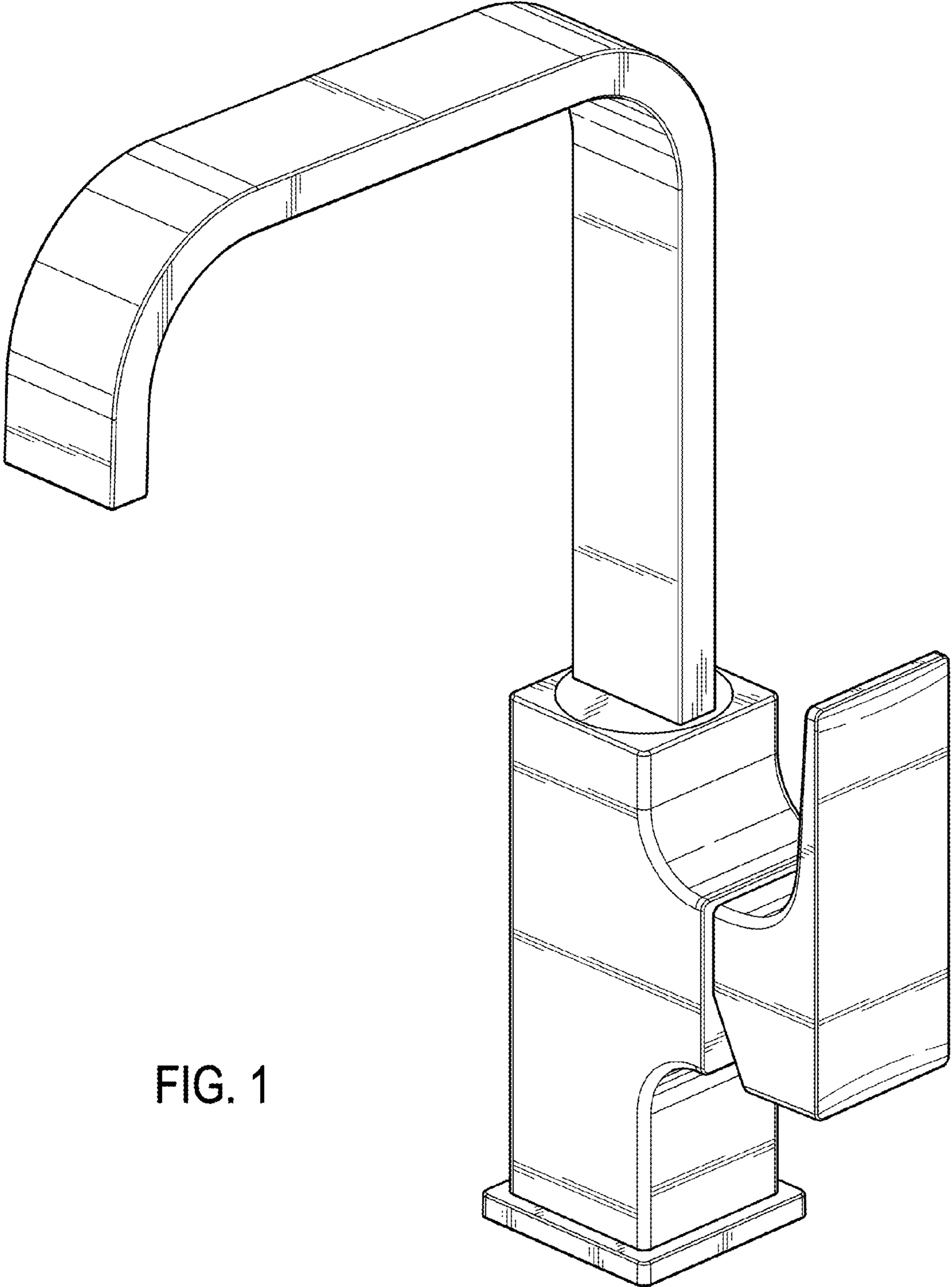


FIG. 1

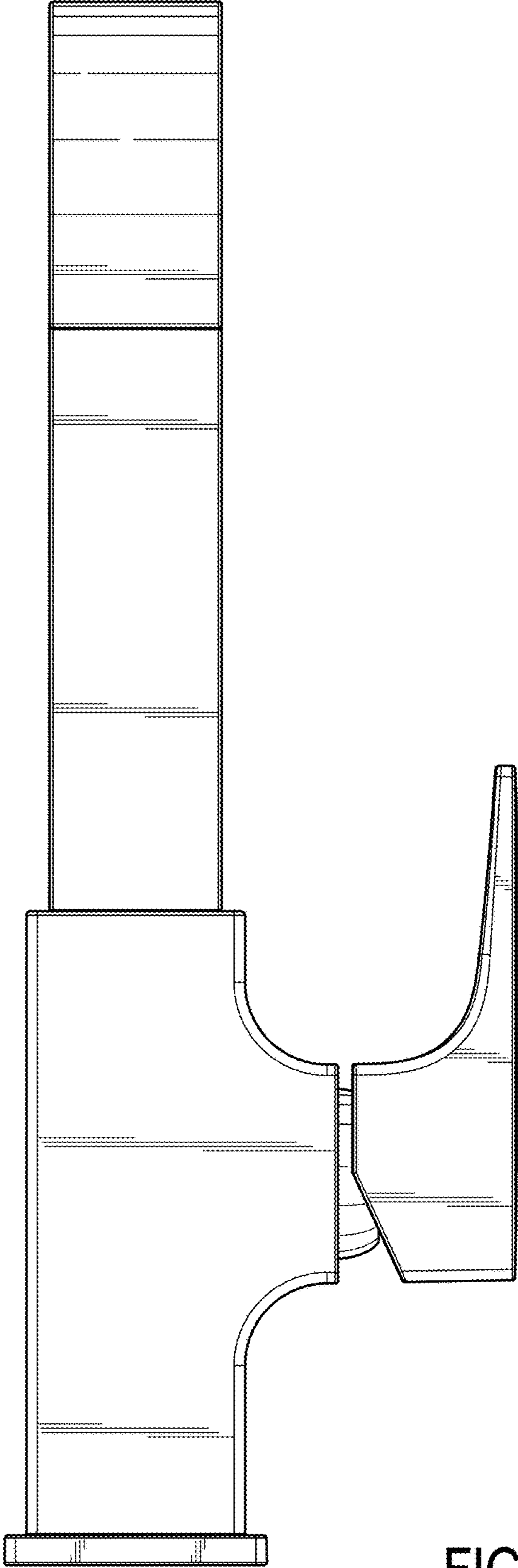


FIG. 2

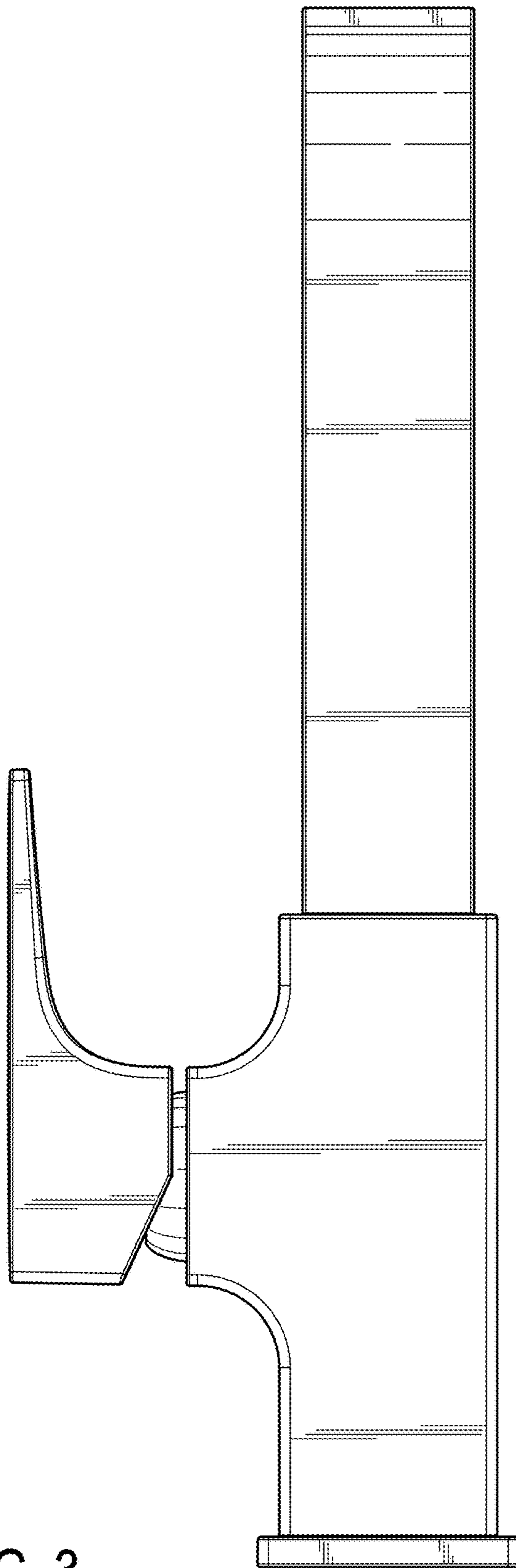


FIG. 3

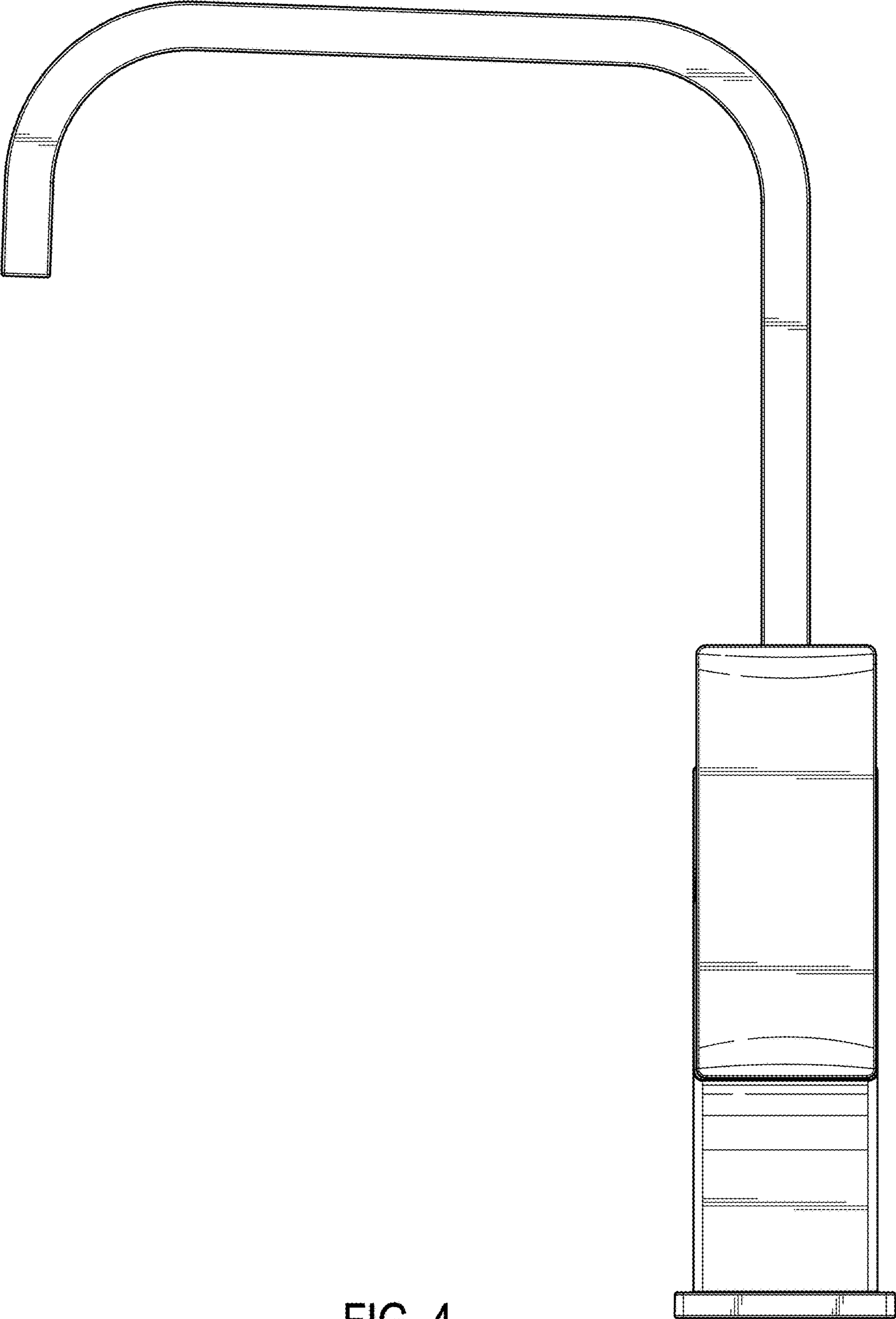


FIG. 4

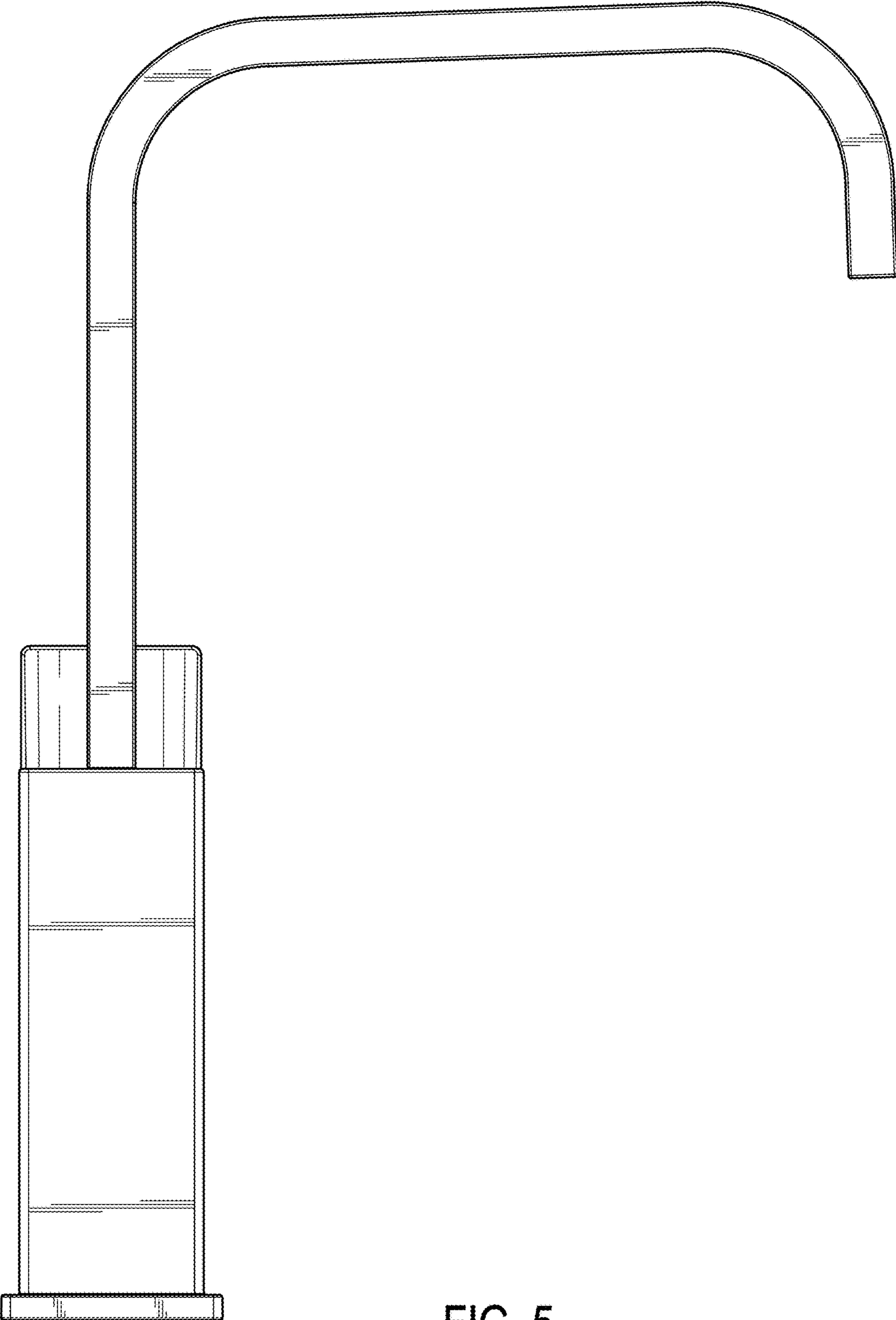


FIG. 5

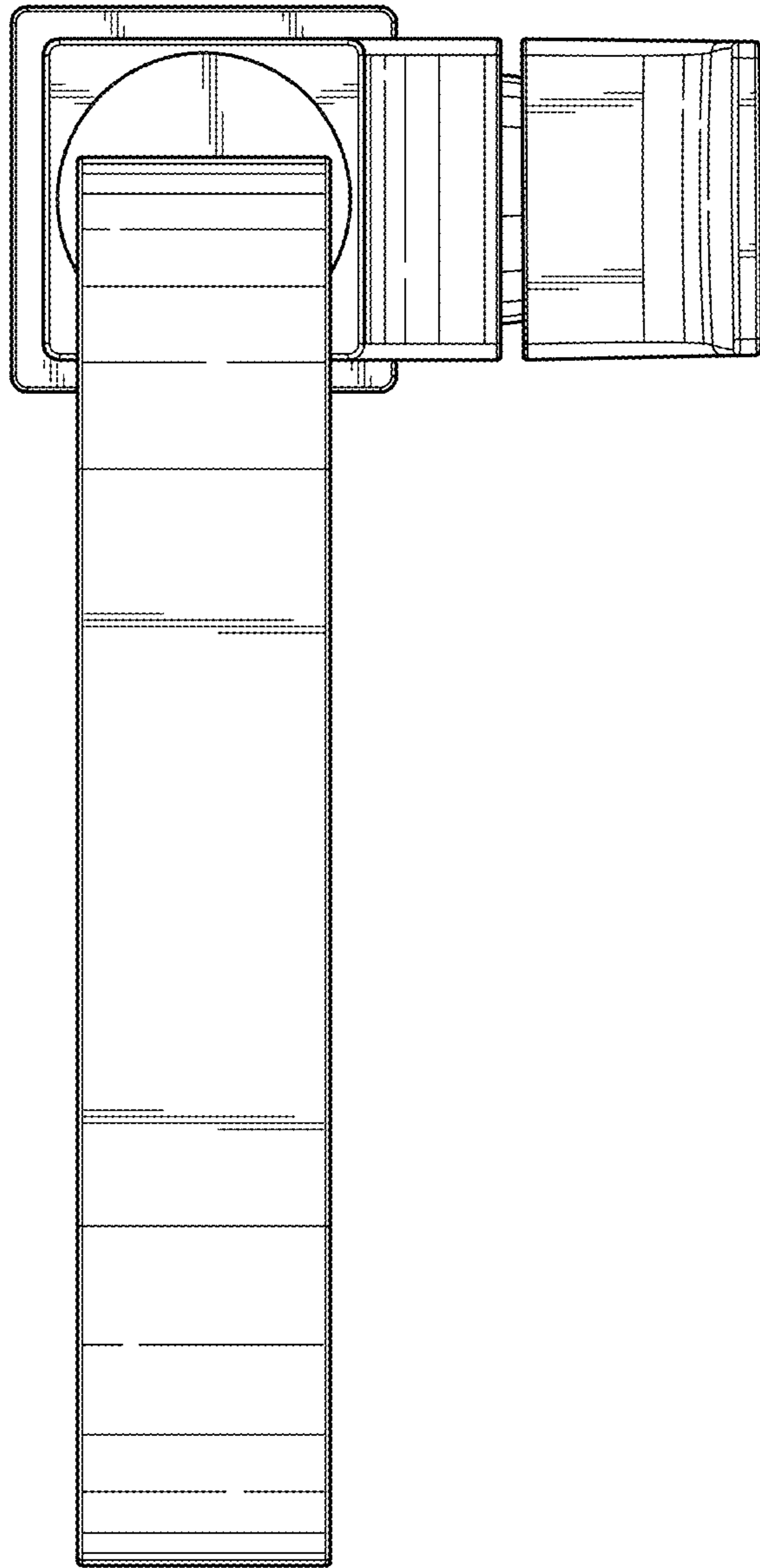


FIG. 6

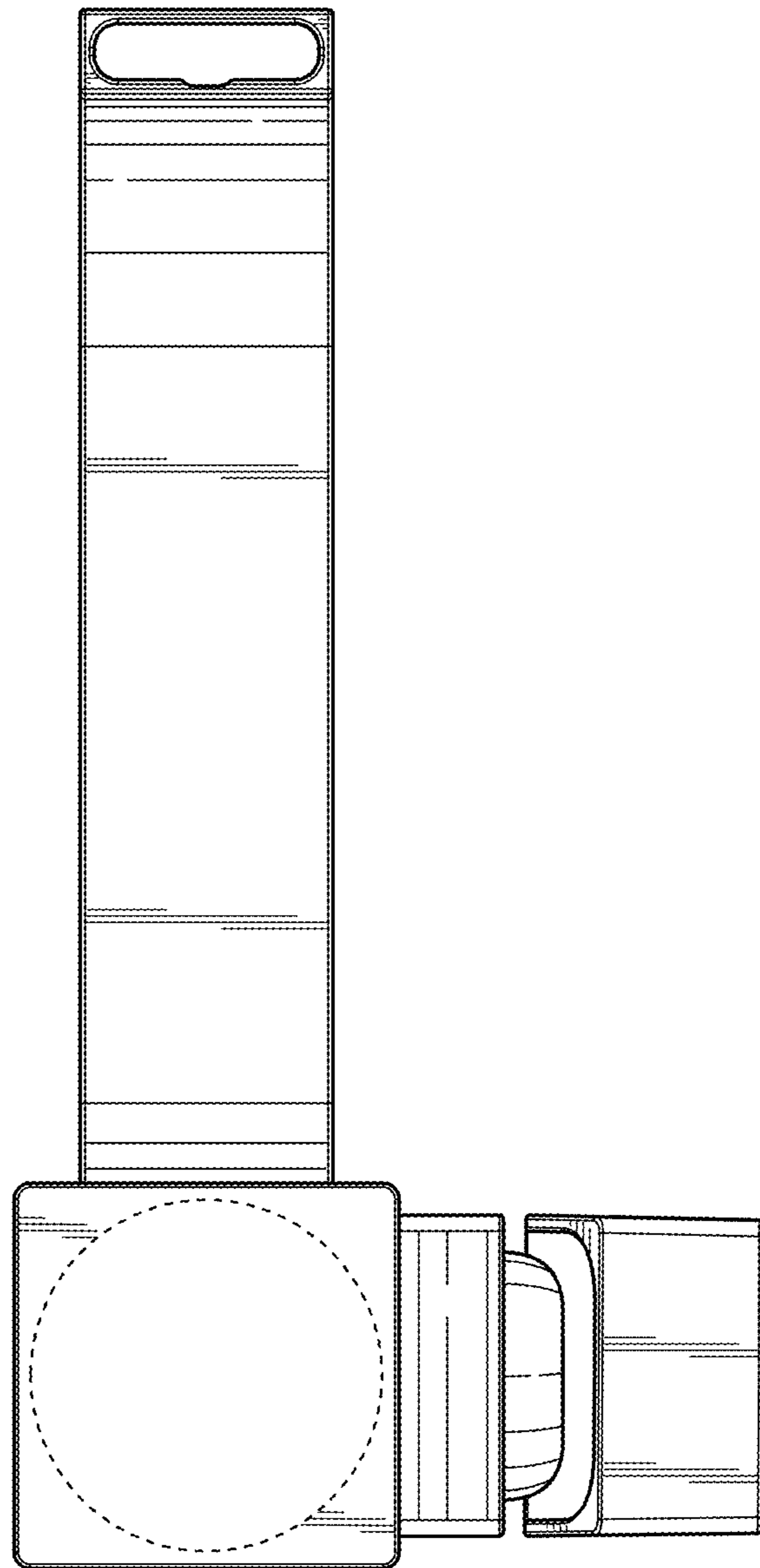


FIG. 7