



US00D810234S

(12) **United States Design Patent** (10) **Patent No.:** **US D810,234 S**
Winter et al. (45) **Date of Patent:** **** Feb. 13, 2018**

(54) **SHOWERHEAD AND ADJUSTABLE BRACKET**

(71) Applicant: **Nebia Inc.**, San Francisco, CA (US)

(72) Inventors: **Philip Winter**, San Francisco, CA (US); **Carlos Gomez Andonaegui**, San Francisco, CA (US); **Gabriel Parisi-Amon**, San Francisco, CA (US); **Corey Murphey**, San Francisco, CA (US); **David Shulman**, San Francisco, CA (US); **Emilio Gomez**, San Francisco, CA (US); **Bret Recor**, San Francisco, CA (US); **Seth Murray**, San Francisco, CA (US); **Merric French**, San Francisco, CA (US); **Scott Steber**, San Francisco, CA (US); **Ace Shelander**, San Francisco, CA (US); **Yoav Ben-Haim**, San Francisco, CA (US); **Diane Lee**, San Francisco, CA (US); **Andrew Windler**, San Francisco, CA (US); **Philippe Manoux**, San Francisco, CA (US)

(73) Assignee: **Nebia, Inc.**, San Francisco, CA (US)

(**) Term: **15 Years**

(21) Appl. No.: **29/573,935**

(22) Filed: **Aug. 10, 2016**

(51) **LOC (11) Cl.** **23-01**

(52) **U.S. Cl.**
USPC **D23/213; D23/228**

(58) **Field of Classification Search**
USPC D23/213, 223, 226, 228, 229, 230, 304,
D23/532; 239/436, 447, 587.1

(Continued)

(56) **References Cited**

U.S. PATENT DOCUMENTS

D398,370 S * 9/1998 Purdy D23/213
D711,506 S * 8/2014 Wolff D23/213

(Continued)

Primary Examiner — Robin V Webster
(74) *Attorney, Agent, or Firm* — Run8 Patent Group, LLC; Corey Lynn Murphey

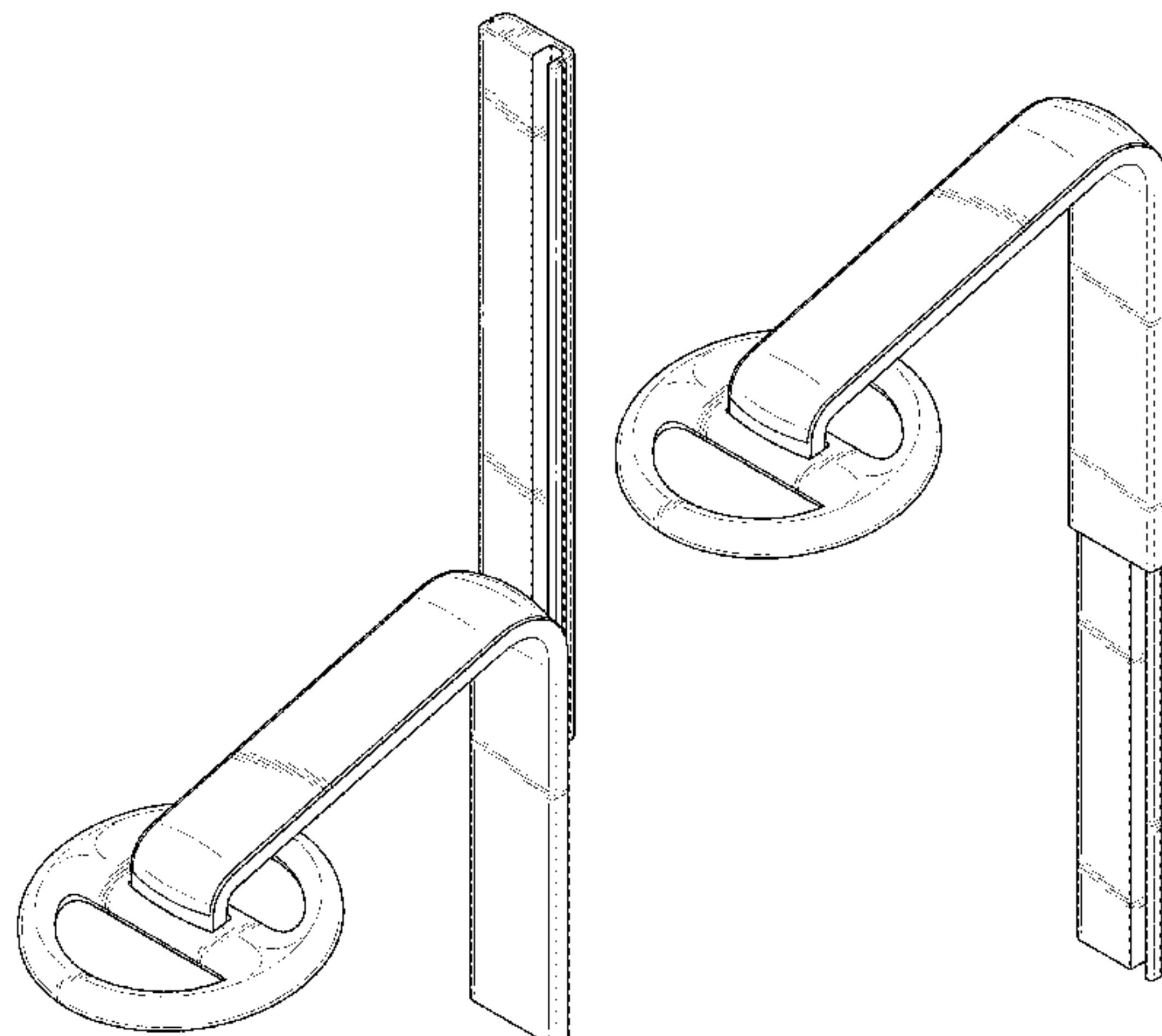
(57) **CLAIM**

We claim the ornamental design for a showerhead and adjustable bracket, as shown and described.

DESCRIPTION

FIG. 1 is a left elevation view of a showerhead and adjustable bracket in a neutral position.
FIG. 2 is an upper-right-front perspective view of the showerhead and adjustable bracket in the neutral position.
FIG. 3 is a bottom plan view of the showerhead and adjustable bracket in the neutral position.
FIG. 4 is a top view of the showerhead and adjustable bracket in the neutral position.
FIG. 5 is a front elevation view of the showerhead and adjustable bracket in the neutral position.
FIG. 6 is a rear elevation view of the showerhead and adjustable bracket in the neutral position.
FIG. 7 is a lower-left-front perspective view of the showerhead and adjustable bracket in the neutral position.
FIG. 8 is a front elevation view of the showerhead and adjustable bracket in a lowered position.
FIG. 9 is a left elevation view of a showerhead and adjustable bracket in the lowered position.
FIG. 10 is an upper-right-front perspective view of the showerhead and adjustable bracket in the lowered position.
FIG. 11 is a left elevation view of a showerhead and adjustable bracket in a raised position.
FIG. 12 is an upper-right-front perspective view of the showerhead and adjustable bracket in the raised position.
FIG. 13 is a left elevation view of the showerhead and adjustable bracket in the neutral position with the showerhead tilted outwardly; and,
FIG. 14 is an upper-right-front perspective view of the showerhead and adjustable bracket in the neutral position with the showerhead tilted outwardly.

(Continued)



The broken line showing of portions of the claimed design is included for the purpose of illustrating and forms no part of the claimed design.

1 Claim, 12 Drawing Sheets

(58) **Field of Classification Search**

CPC B05B 15/066; B05B 1/18; B05B 1/00;
B05B 15/061; B05B 9/01; A47K 3/28;
E03C 1/06; E03C 1/046

See application file for complete search history.

(56) **References Cited**

U.S. PATENT DOCUMENTS

D751,173 S * 3/2016 Bahler D23/213
9,347,208 B2 * 5/2016 Quinn E03C 1/0412

* cited by examiner

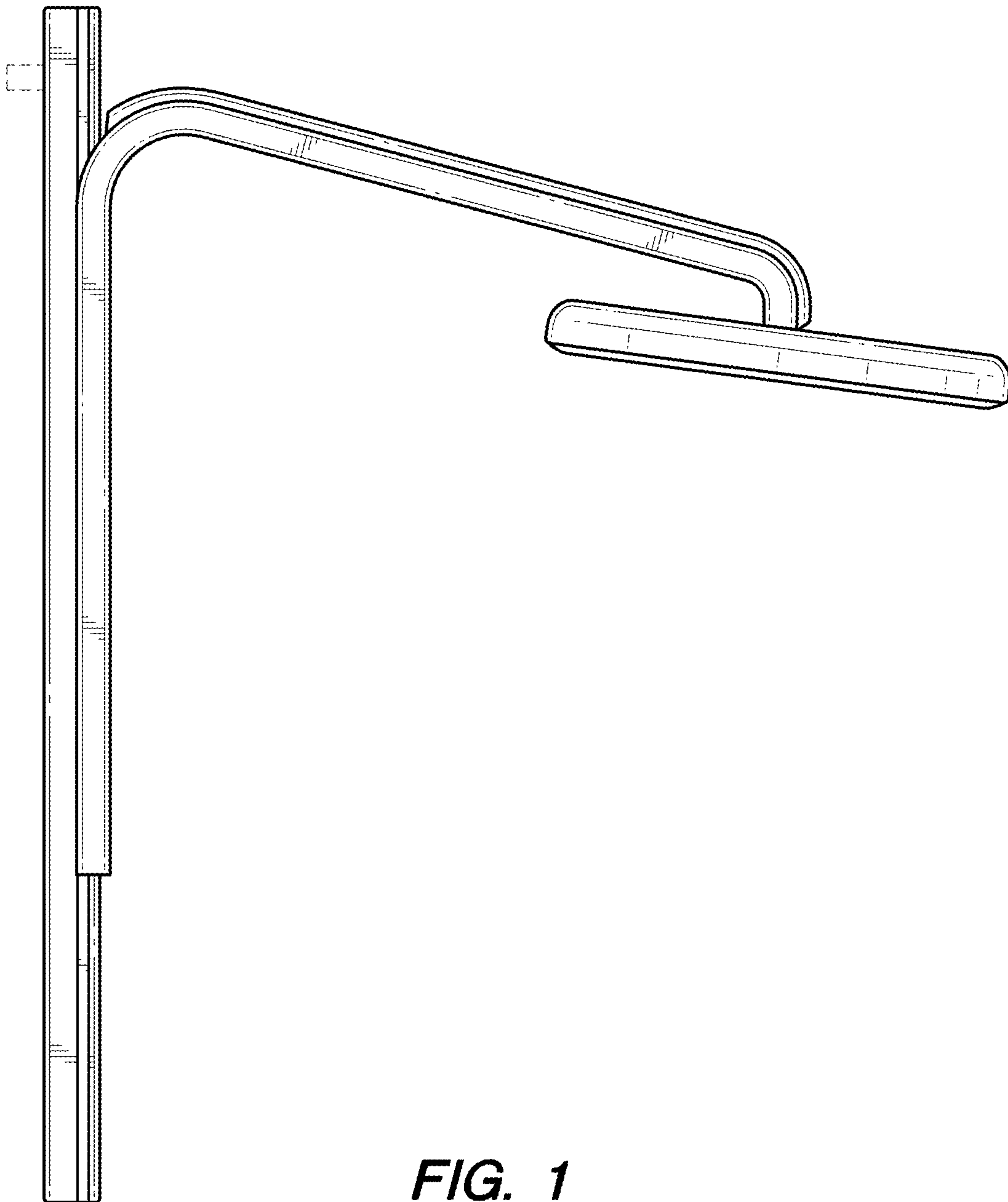


FIG. 1

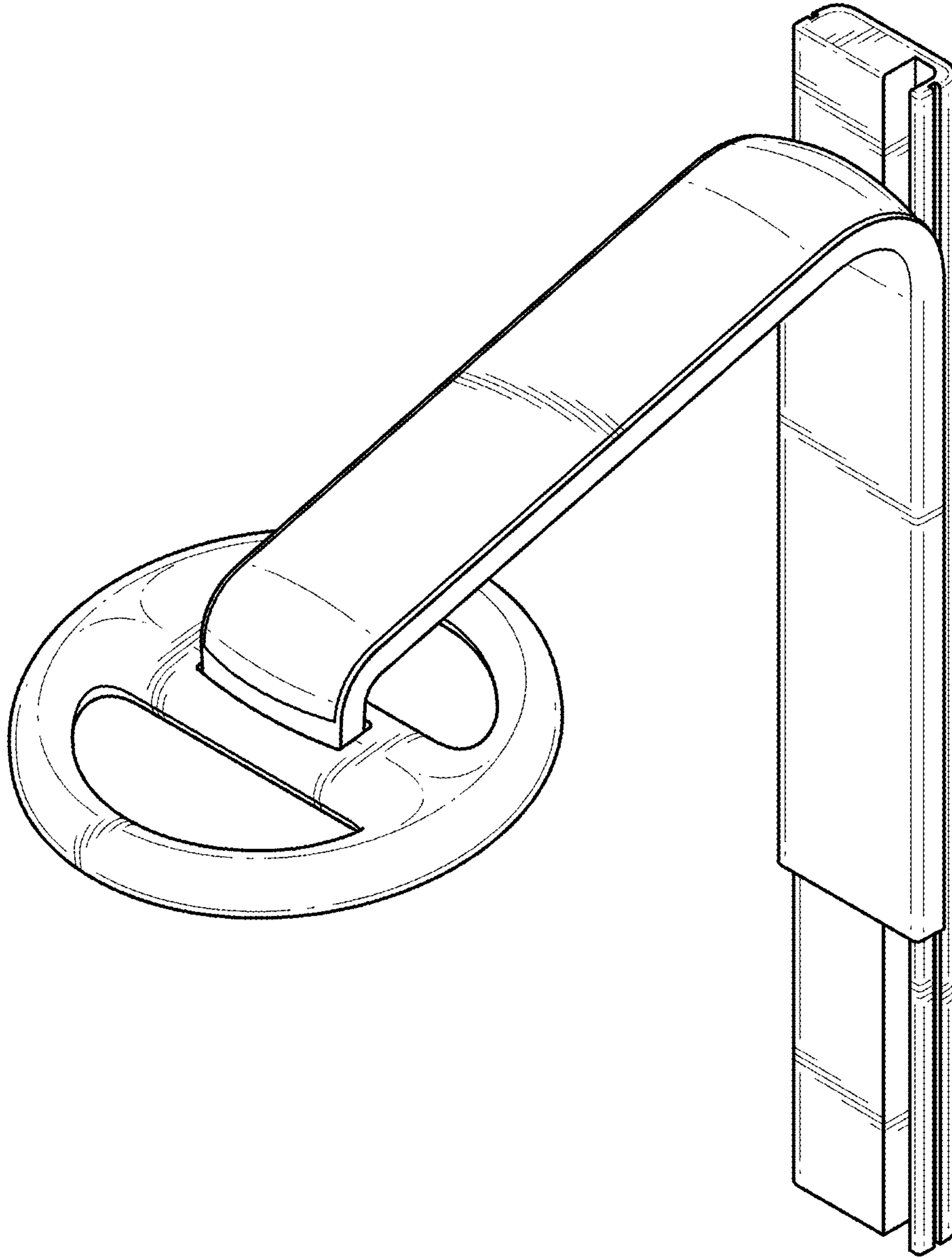


FIG. 2

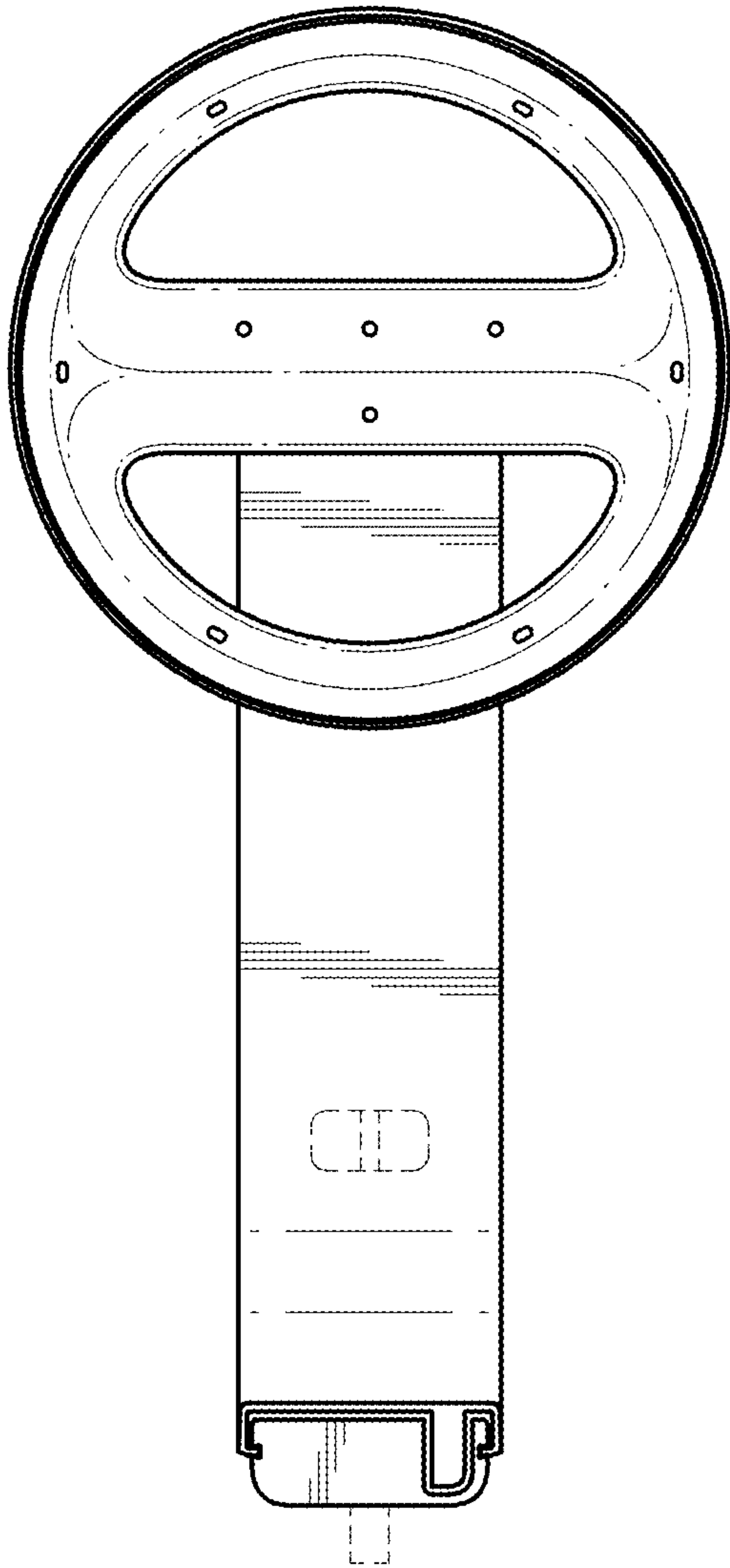


FIG. 3

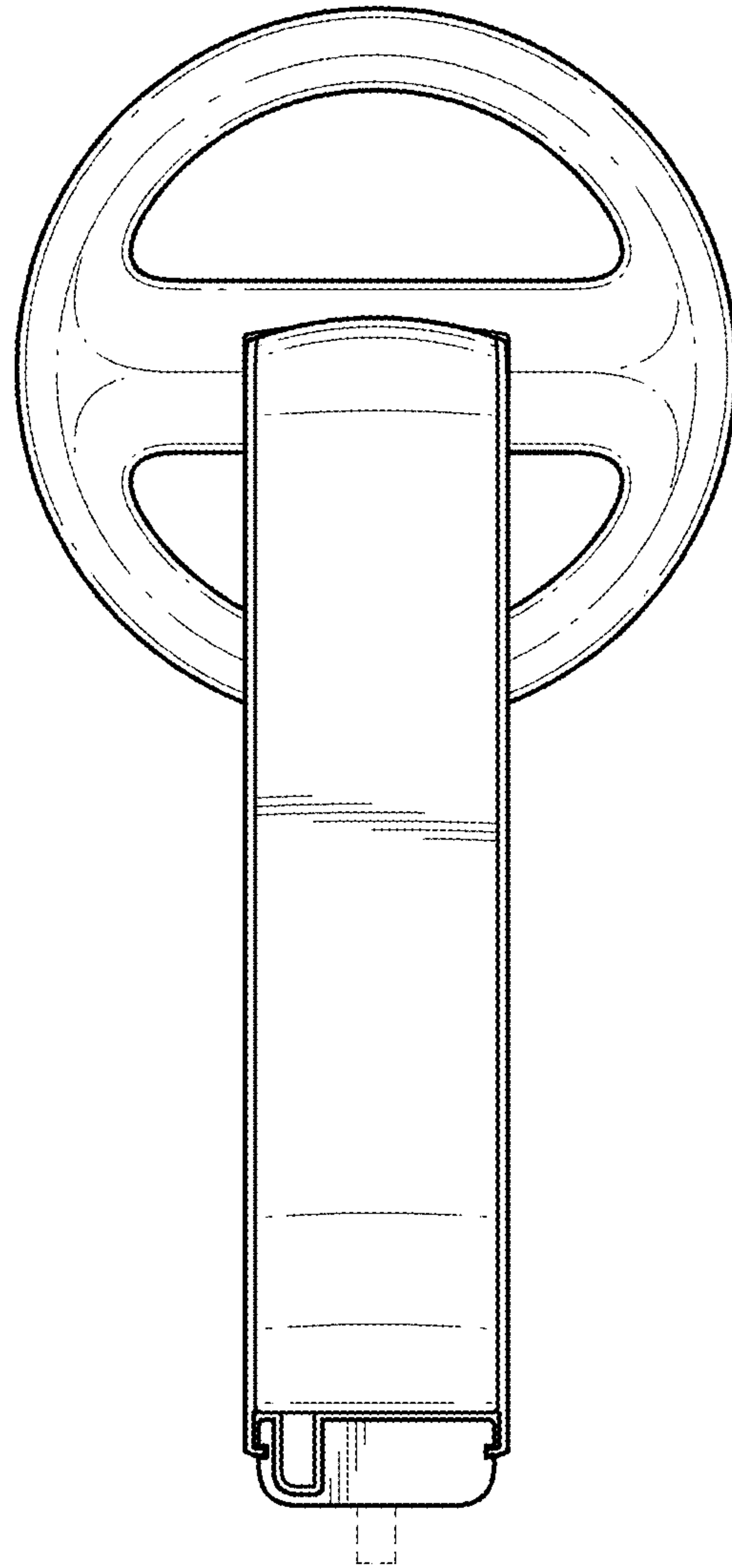


FIG. 4

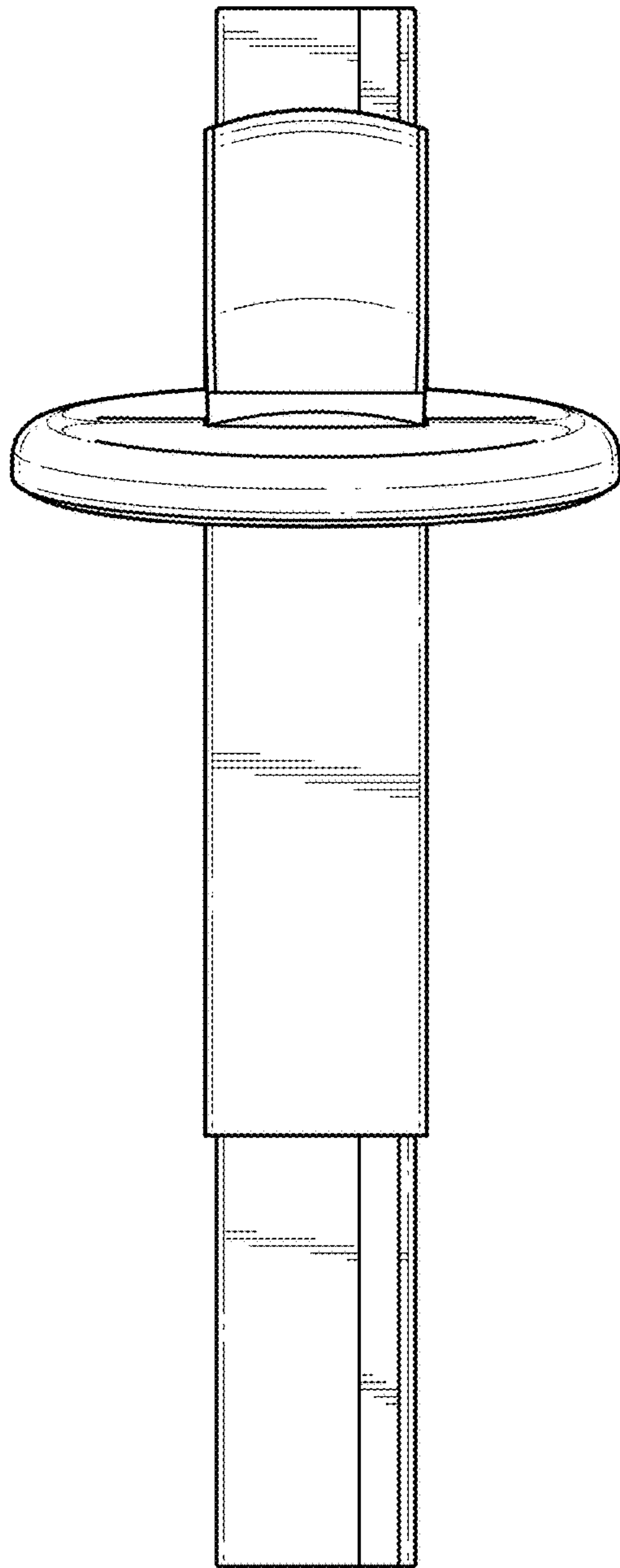


FIG. 5

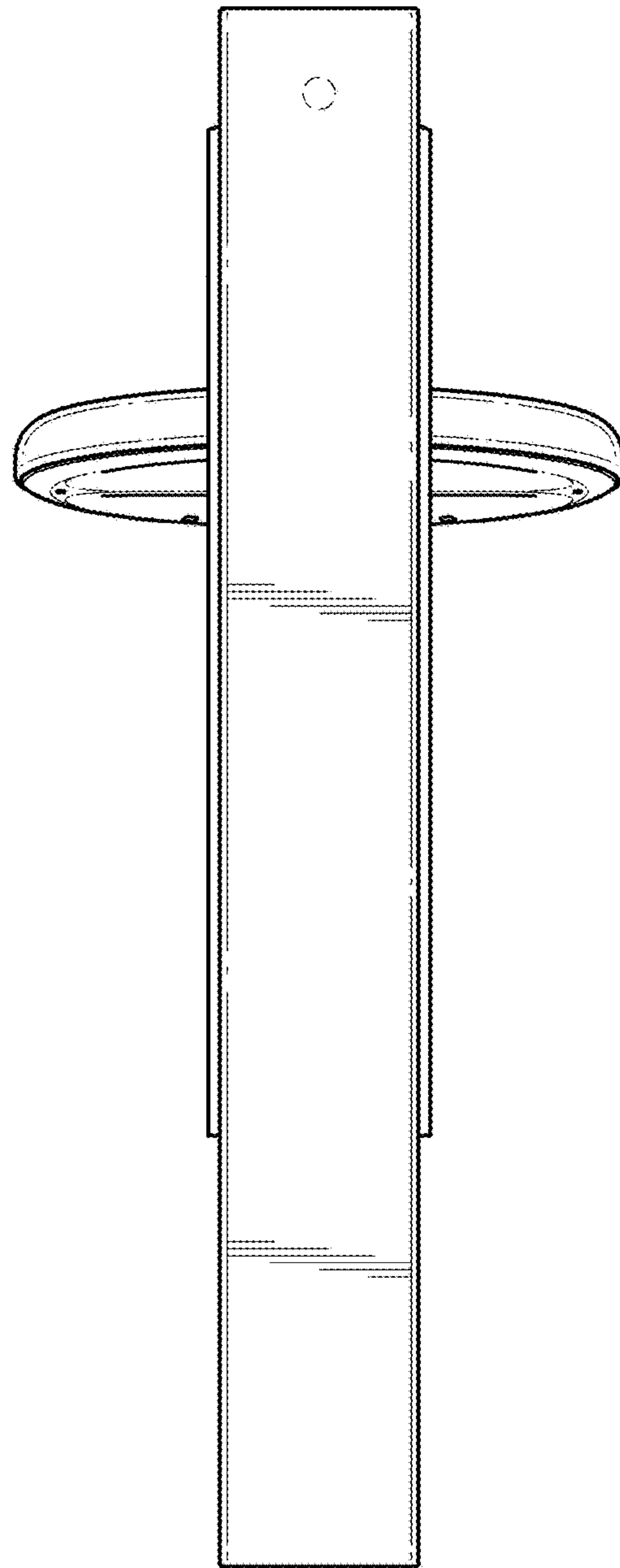


FIG. 6

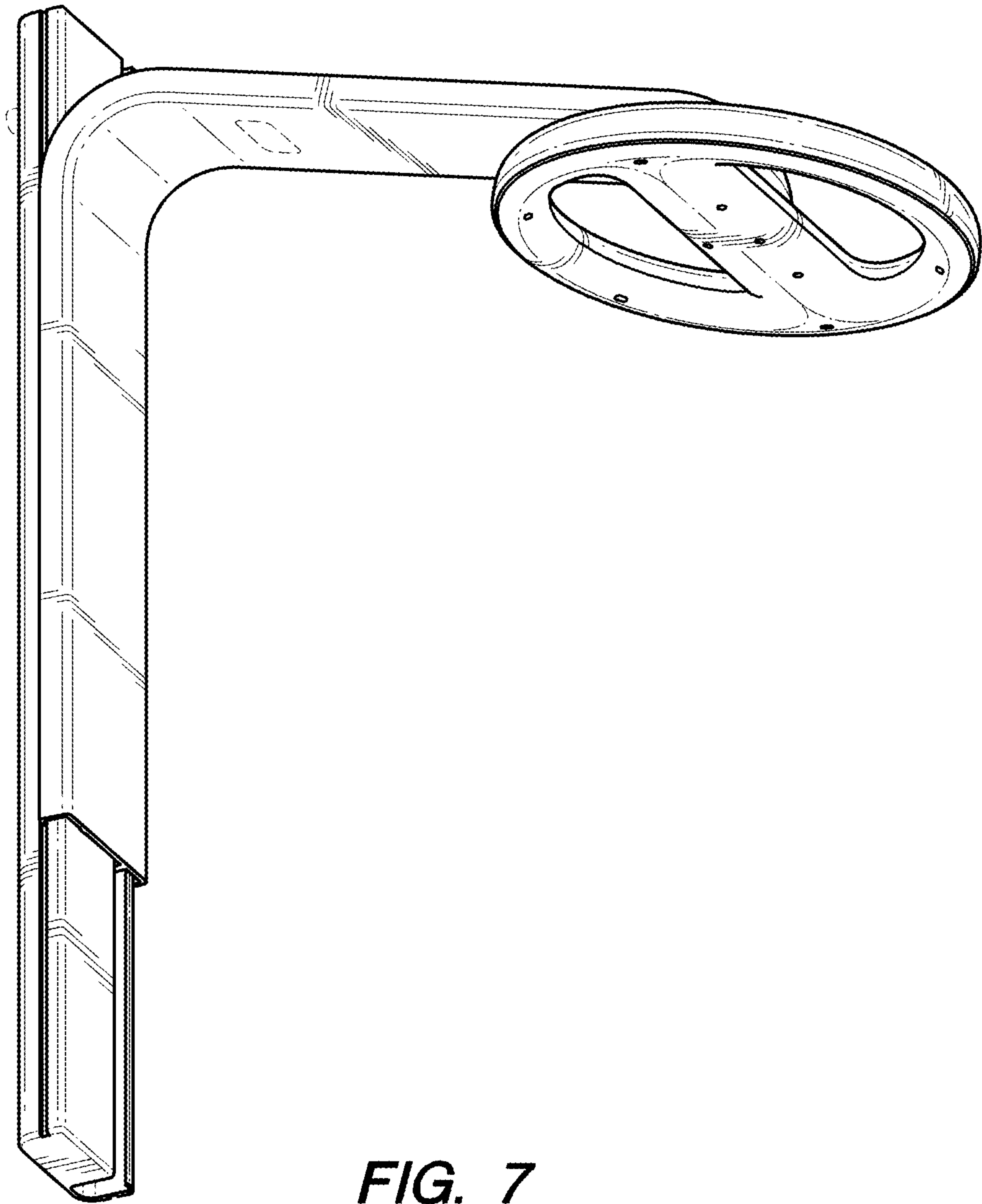


FIG. 7

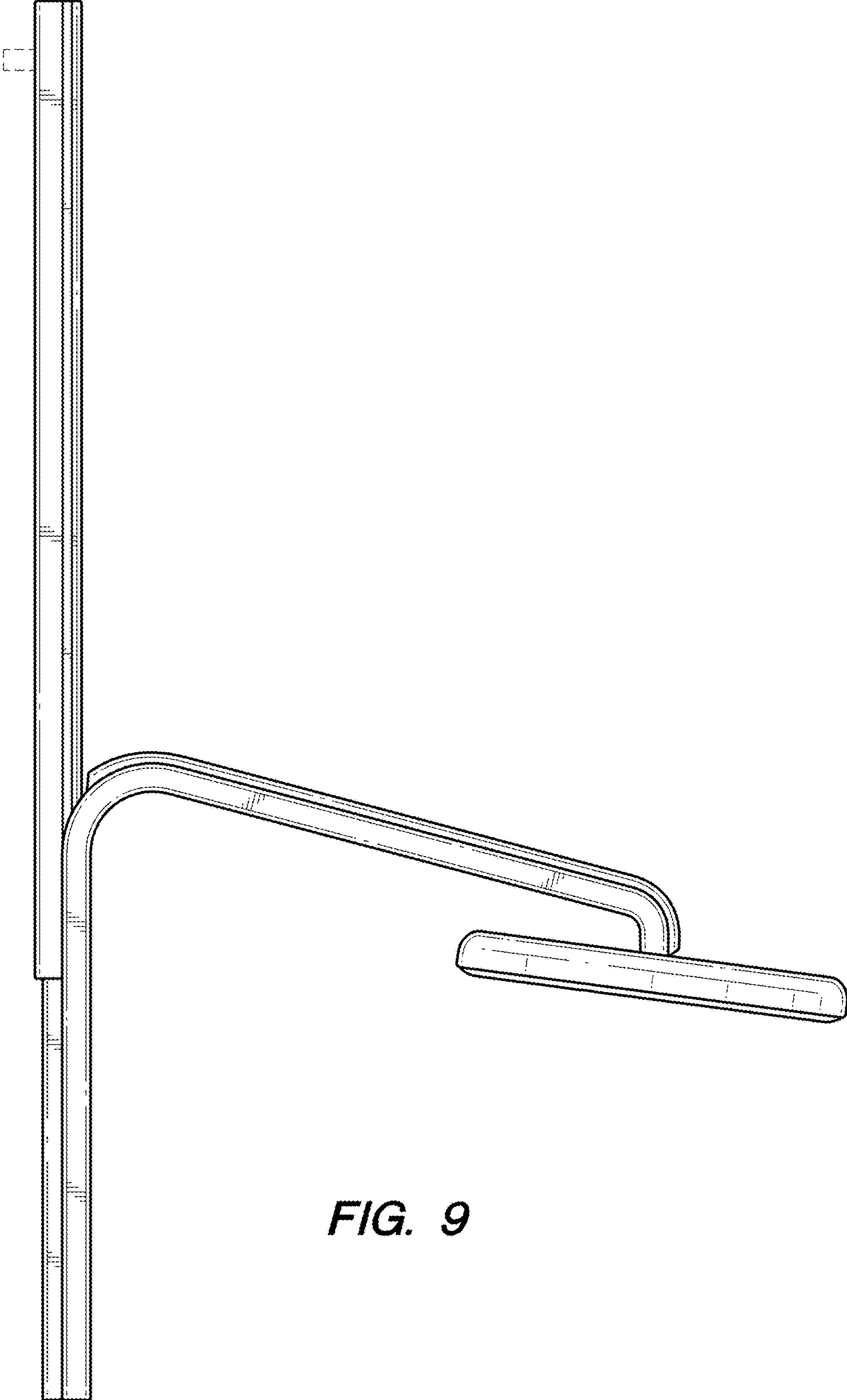


FIG. 9

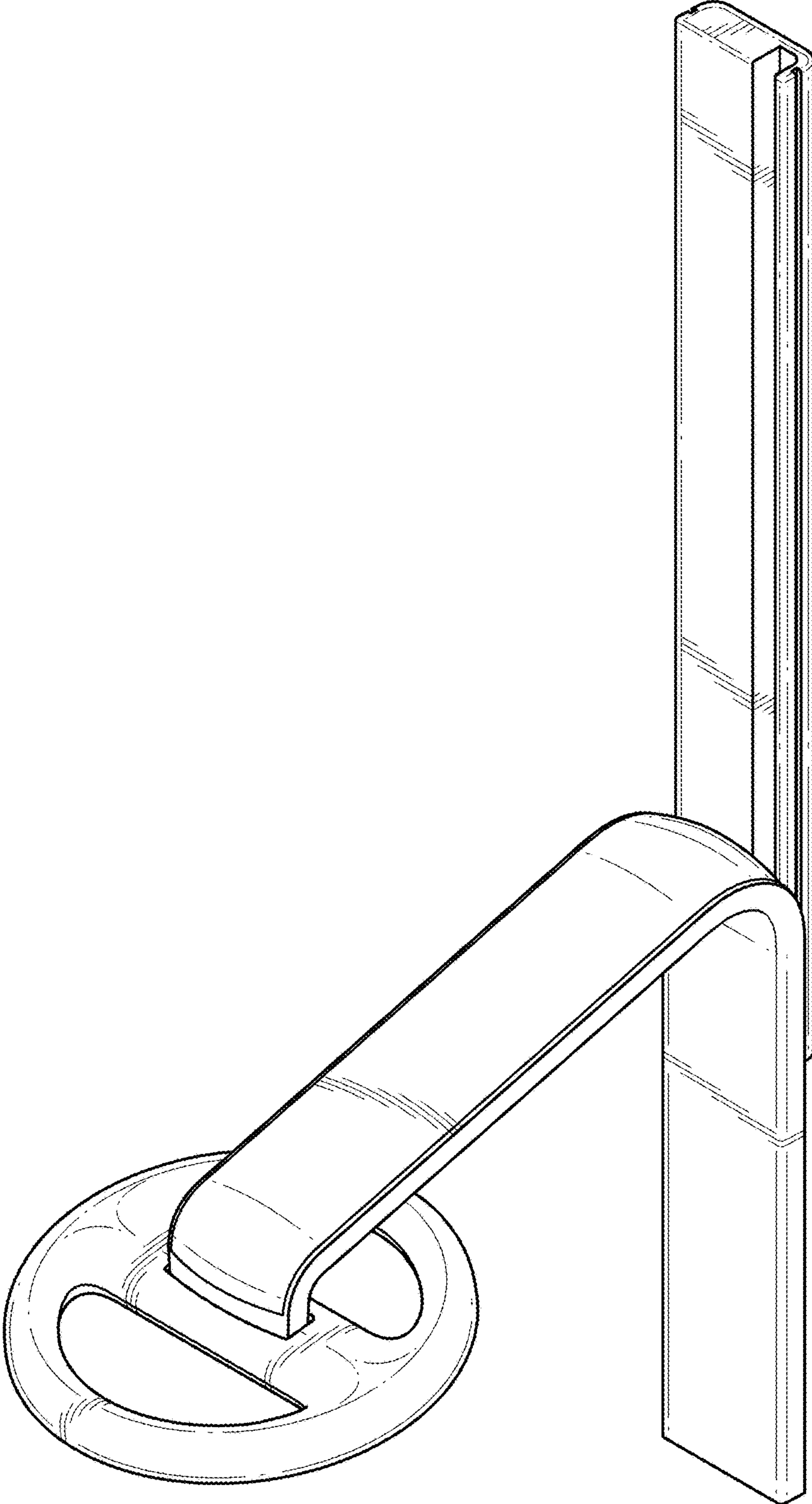


FIG. 10

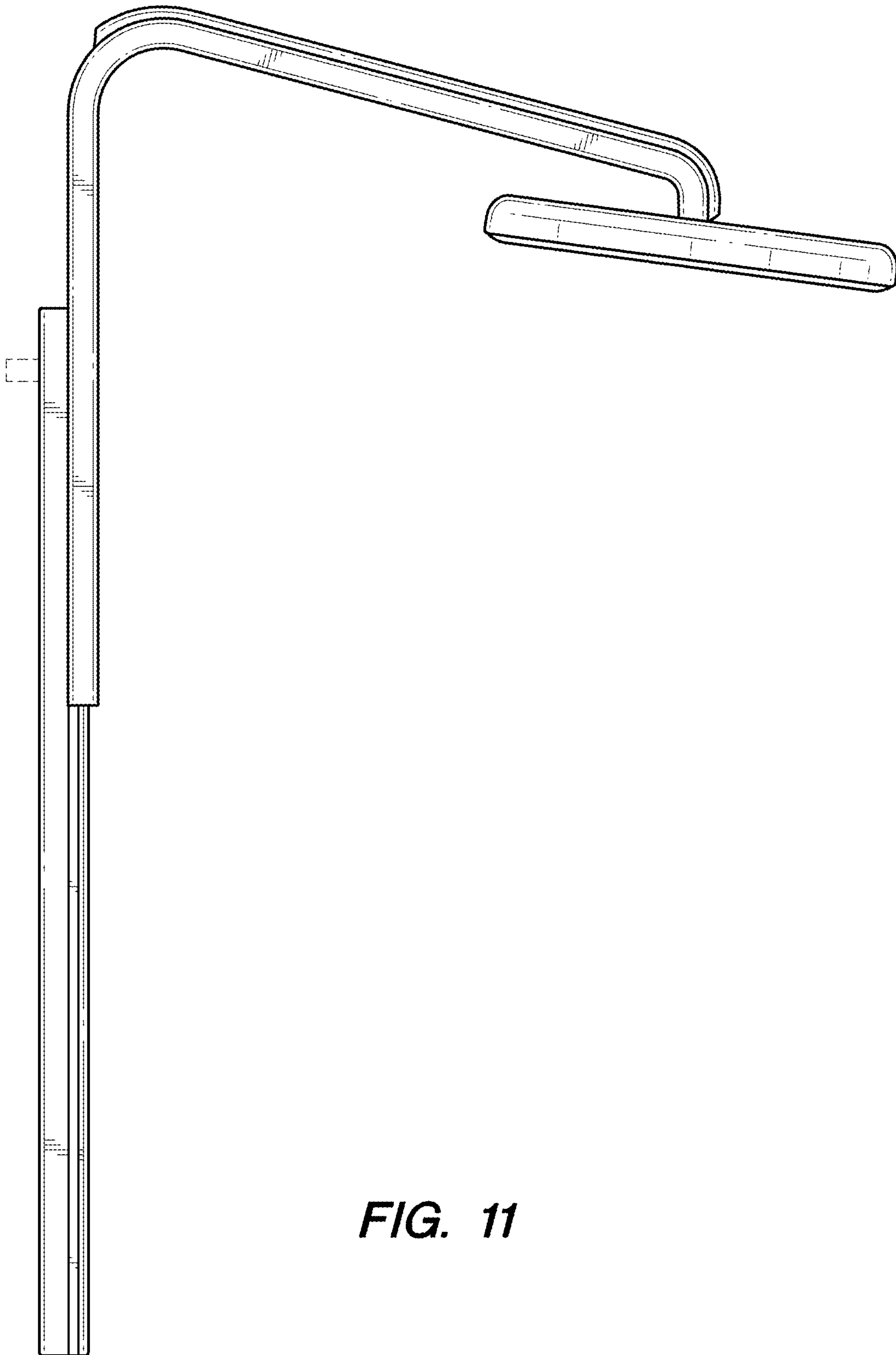


FIG. 11

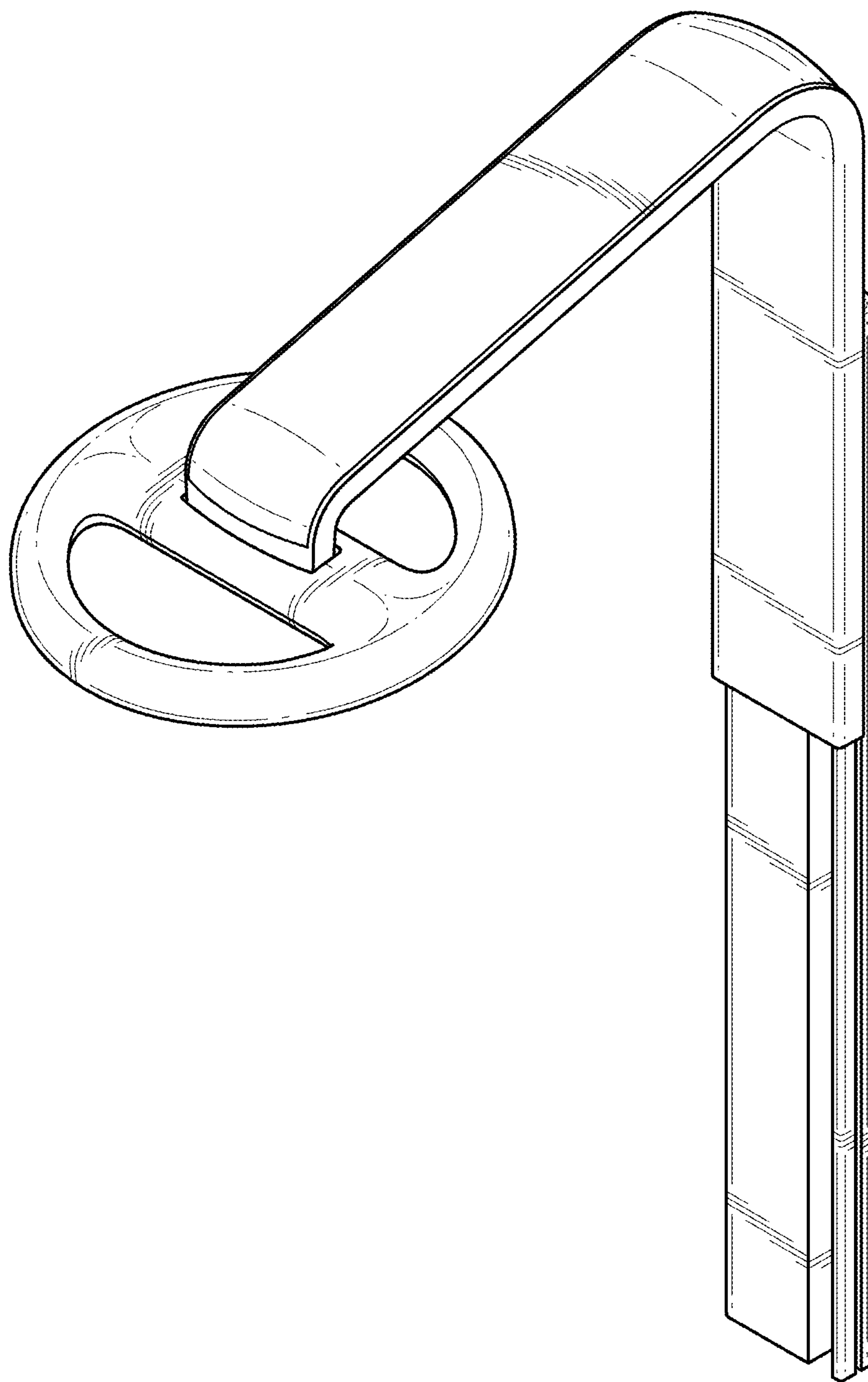


FIG. 12

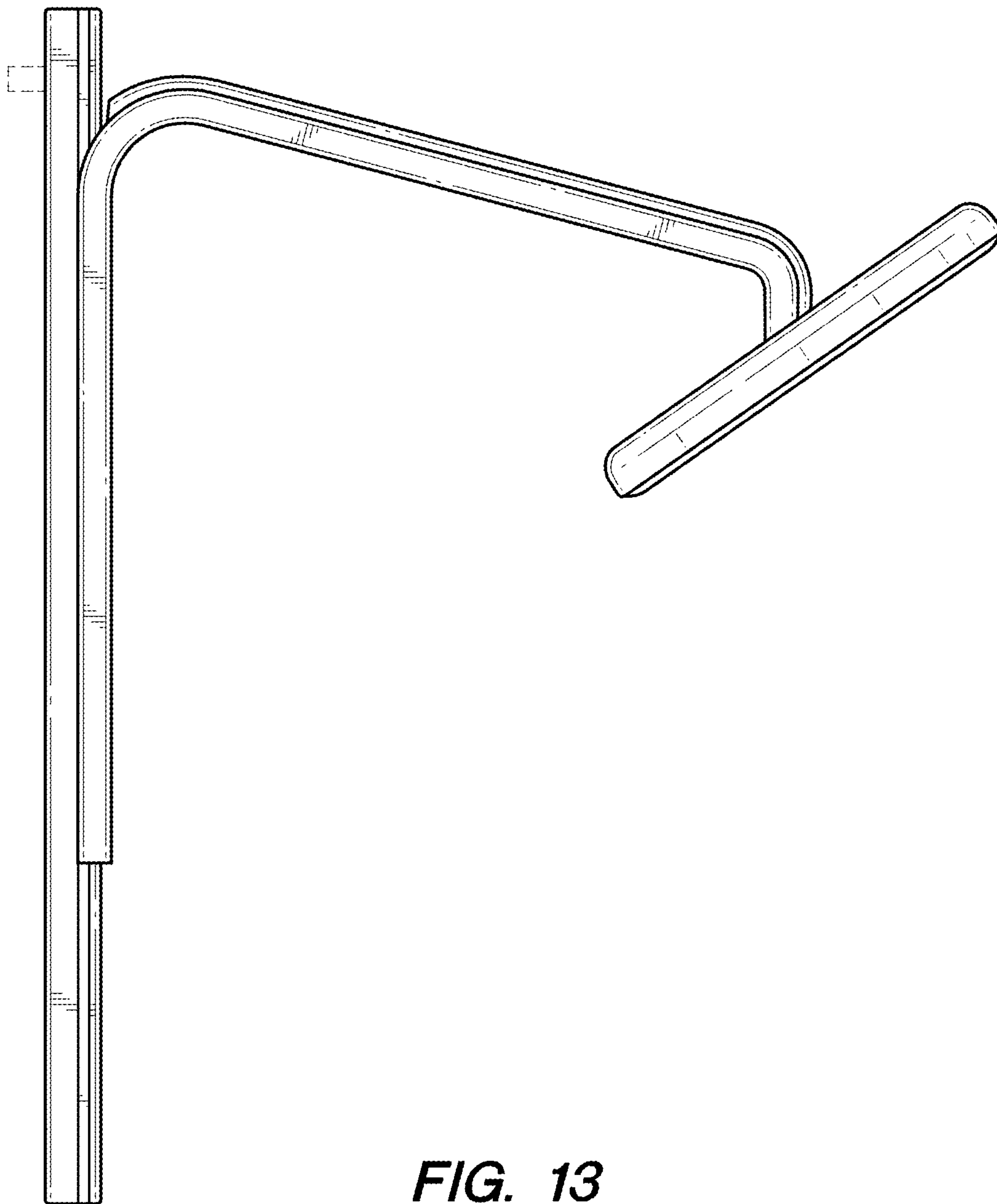


FIG. 13

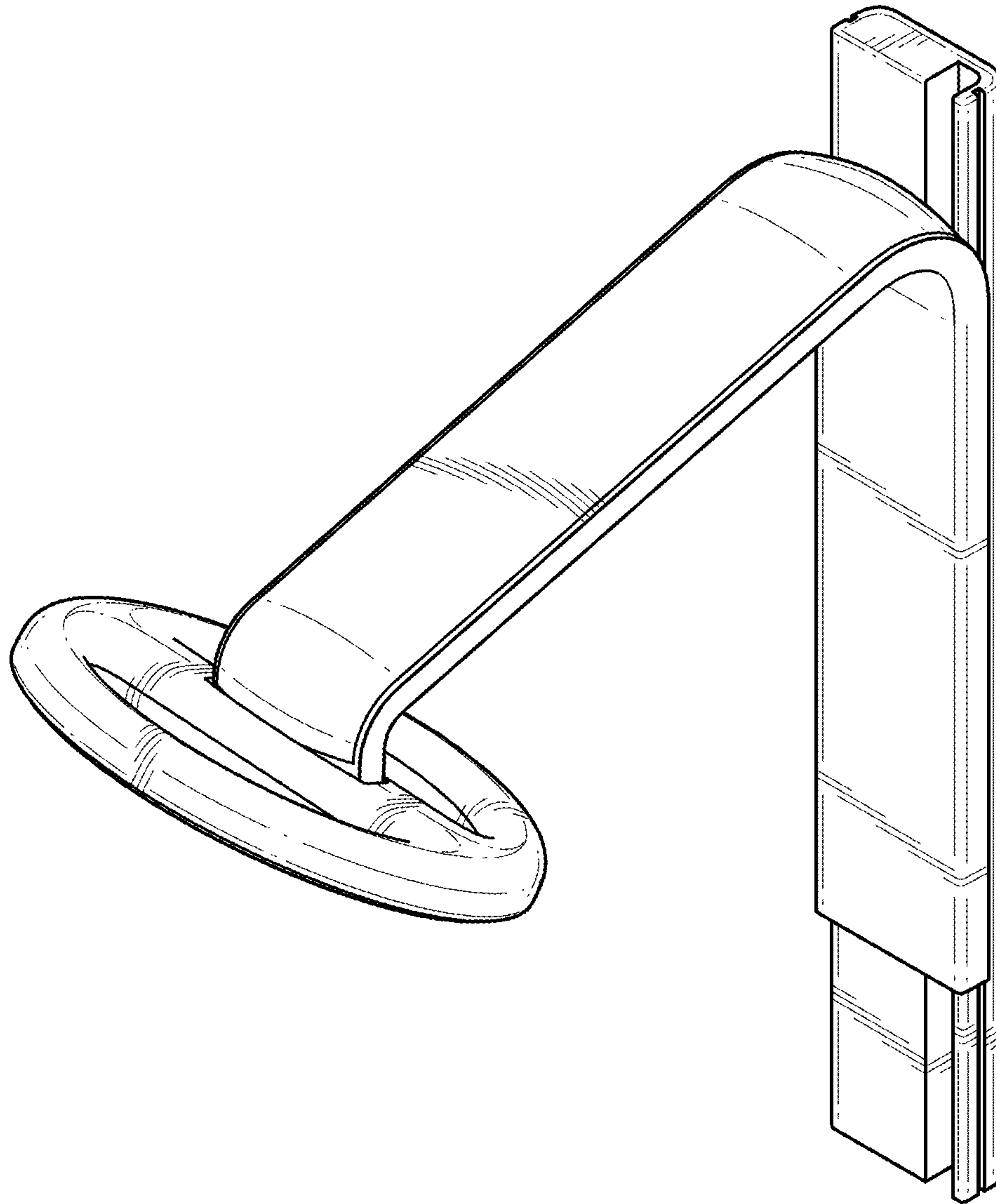


FIG. 14