



US00D810224S

(12) **United States Design Patent**
Lessard

(10) **Patent No.:** **US D810,224 S**
(45) **Date of Patent:** **** Feb. 13, 2018**

(54) **SILENCER**
(71) Applicant: **Sig Sauer, Inc.**, Newington, NH (US)
(72) Inventor: **Ethan Lessard**, East Kingston, NH (US)
(73) Assignee: **SIG SAUER, INC.**, Newington, NH (US)

(**) Term: **15 Years**

(21) Appl. No.: **29/568,717**

(22) Filed: **Jun. 21, 2016**

Related U.S. Application Data

(63) Continuation of application No. 29/512,017, filed on Dec. 16, 2014, now Pat. No. Des. 761,373.

(51) **LOC (11) Cl.** **22-01**

(52) **U.S. Cl.**
USPC **D22/108**

(58) **Field of Classification Search**
USPC D22/108
CPC F41A 21/30; F41A 21/325
See application file for complete search history.

(56) **References Cited**

U.S. PATENT DOCUMENTS

D643,087 S * 8/2011 Oliver D22/108
8,307,946 B1 * 11/2012 Johnston F41A 21/30
181/223

D677,357 S * 3/2013 Dueck D22/108
D682,974 S * 5/2013 Honigmann D22/108
D712,997 S * 9/2014 Proske D22/108
D728,058 S * 4/2015 Cheney D22/108
D737,922 S * 9/2015 Pace D22/108
D741,443 S * 10/2015 Cheney D22/108
D742,989 S * 11/2015 Holden D22/108
2014/0083286 A1 * 3/2014 Gomez F41A 5/28
89/193

* cited by examiner

Primary Examiner — Michael A Pratt

(74) *Attorney, Agent, or Firm* — Finch & Maloney PLLC

(57) **CLAIM**

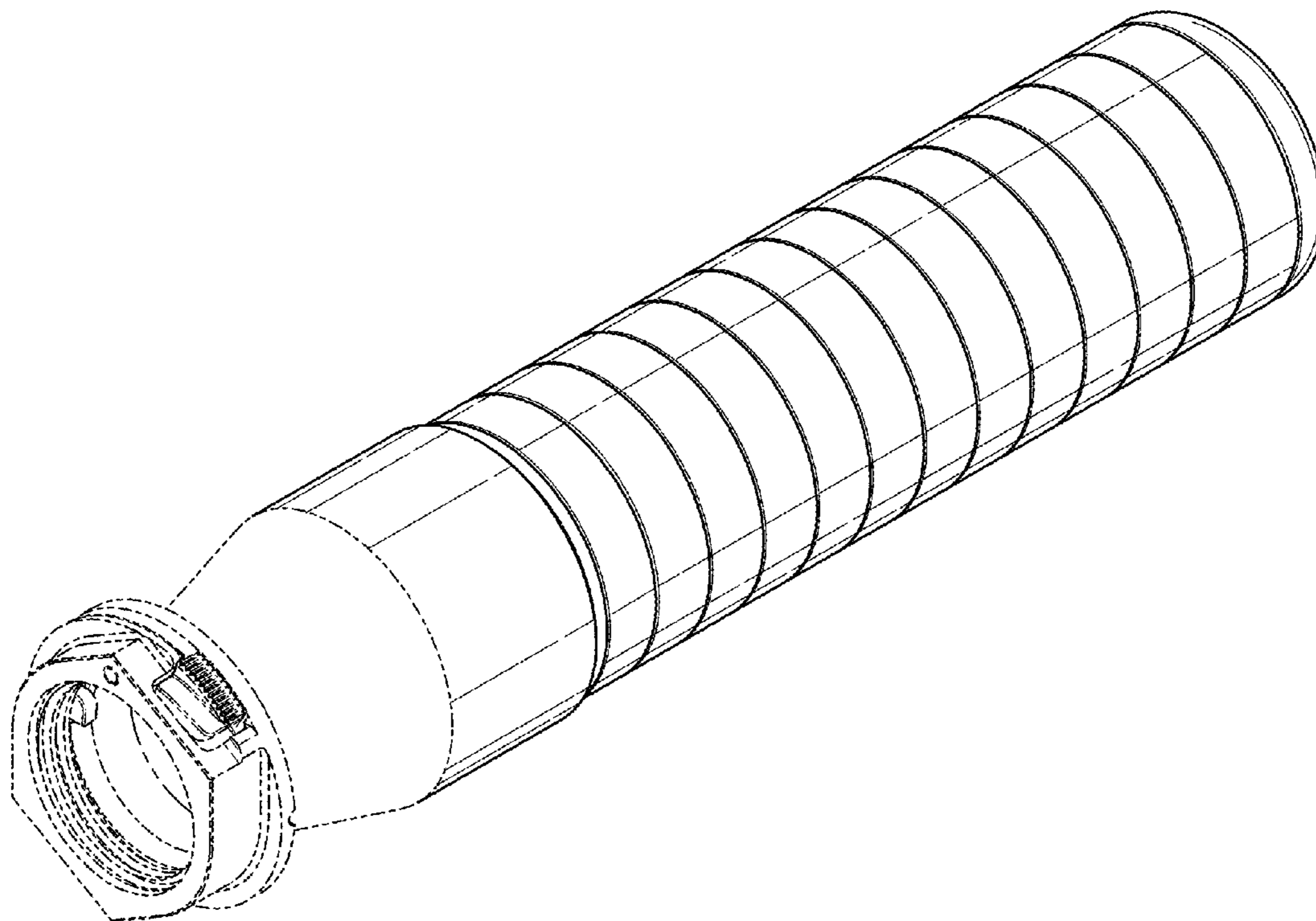
The ornamental design for a silencer, as shown and described.

DESCRIPTION

FIG. 1 is a perspective view of a silencer showing my new design;
FIG. 2 is a rear view thereof;
FIG. 3 is a front view thereof; and,
FIGS. 4-7 are side views thereof.

The broken lines in the figures are for the purpose of illustrating environmental structure only and form no part of the claimed design. Any surface or portion of our design not shown in the figures or otherwise described herein forms no part of the claimed design.

1 Claim, 4 Drawing Sheets



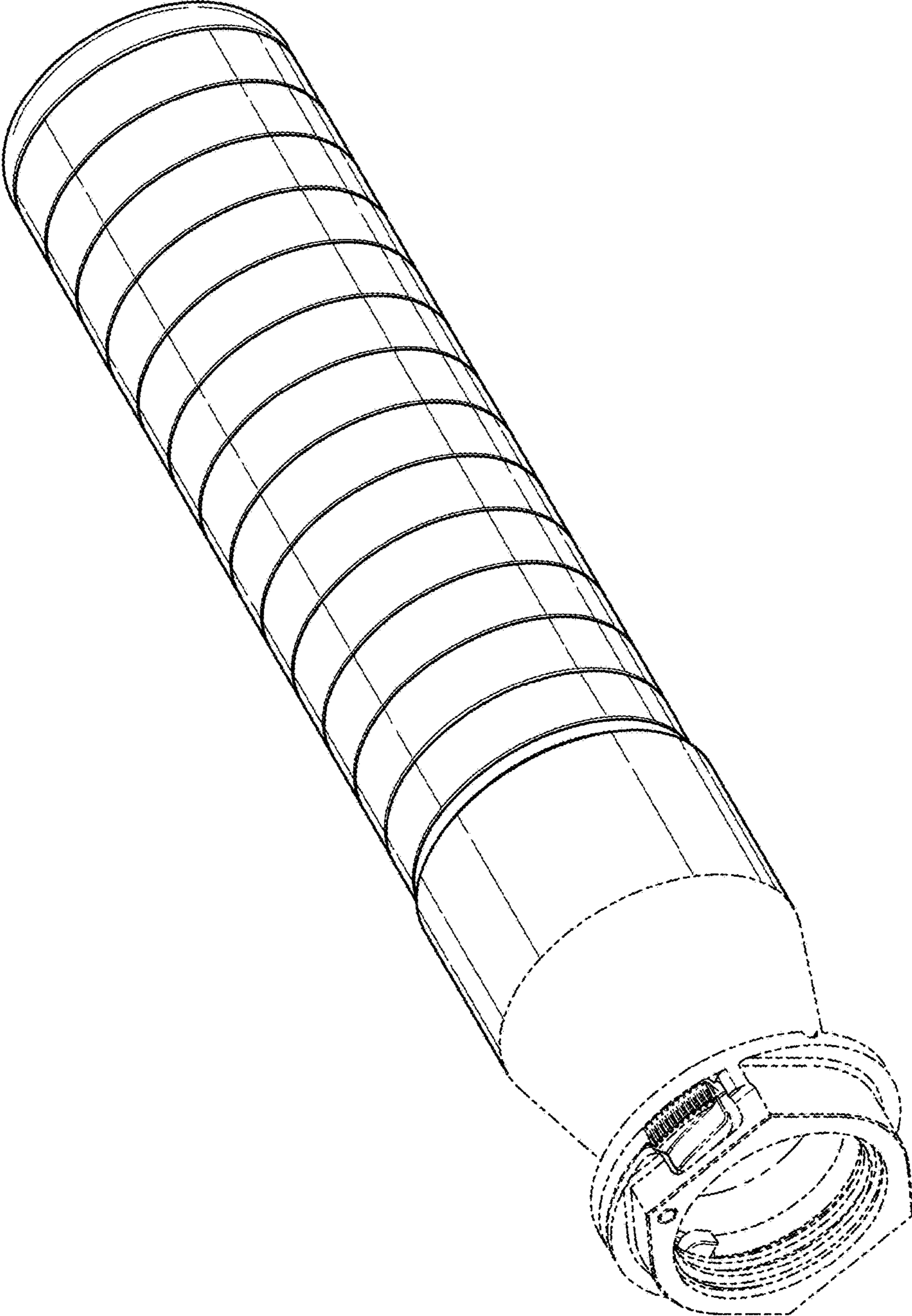


FIG. 1

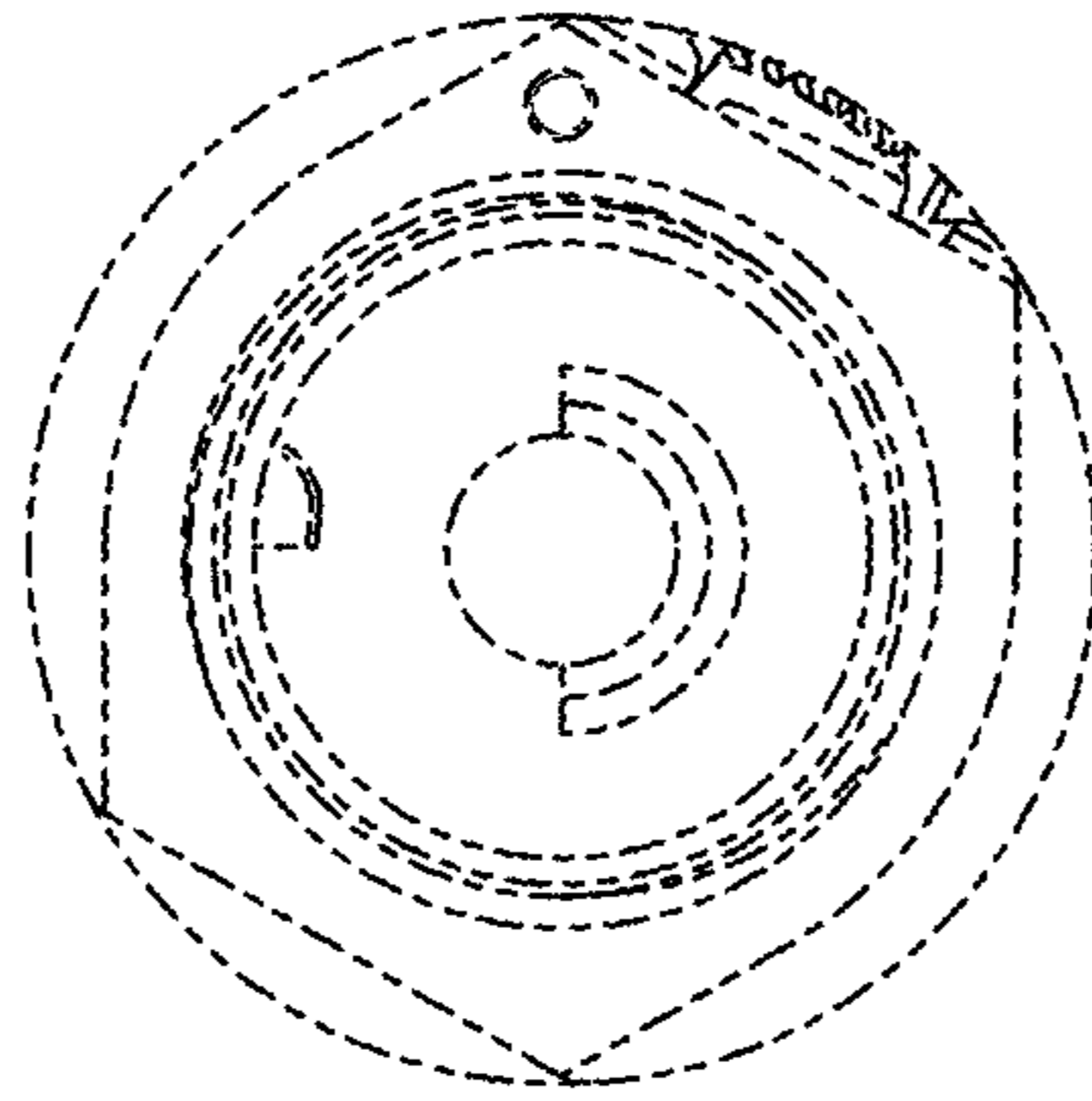


FIG. 2

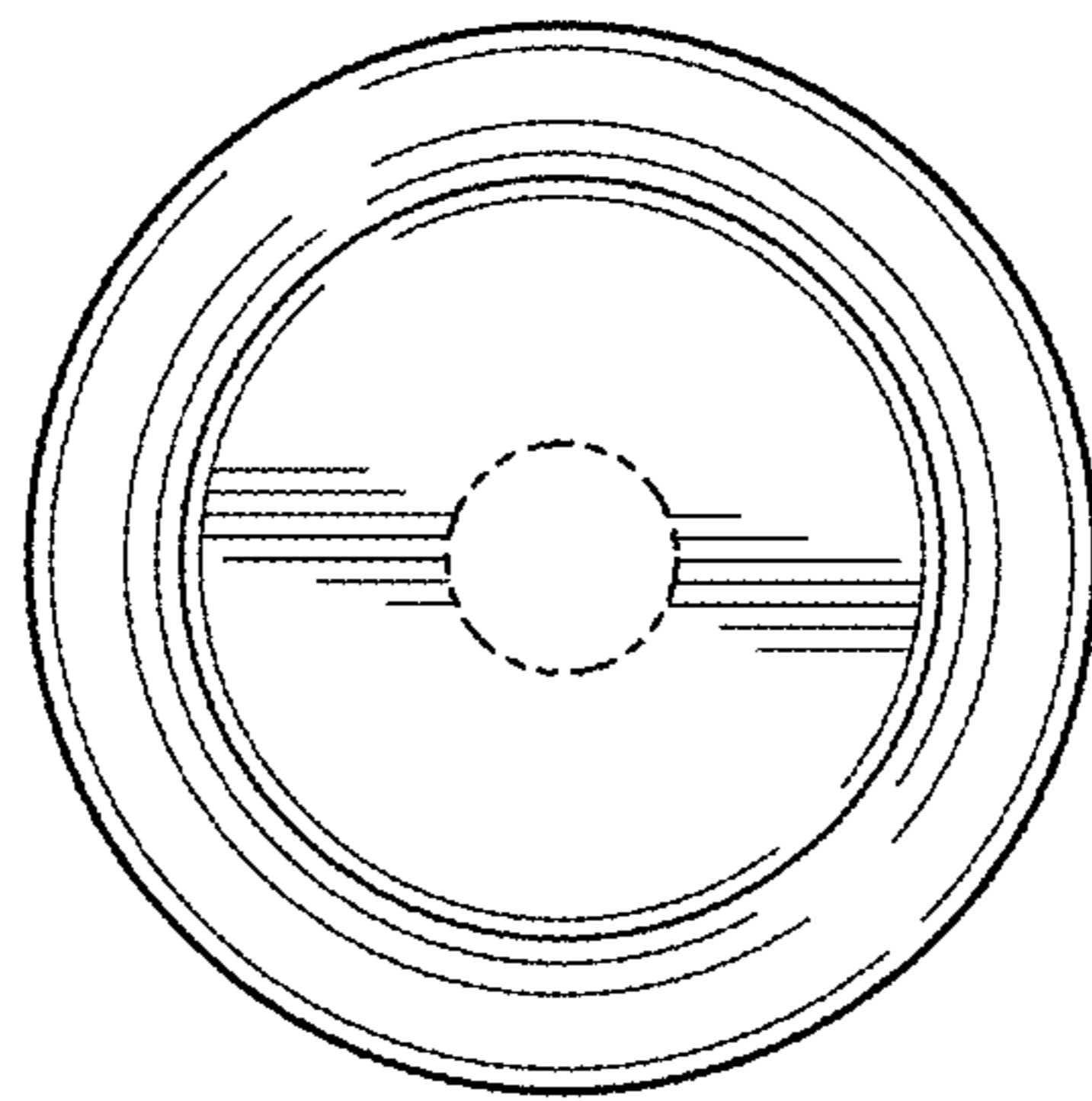


FIG. 3

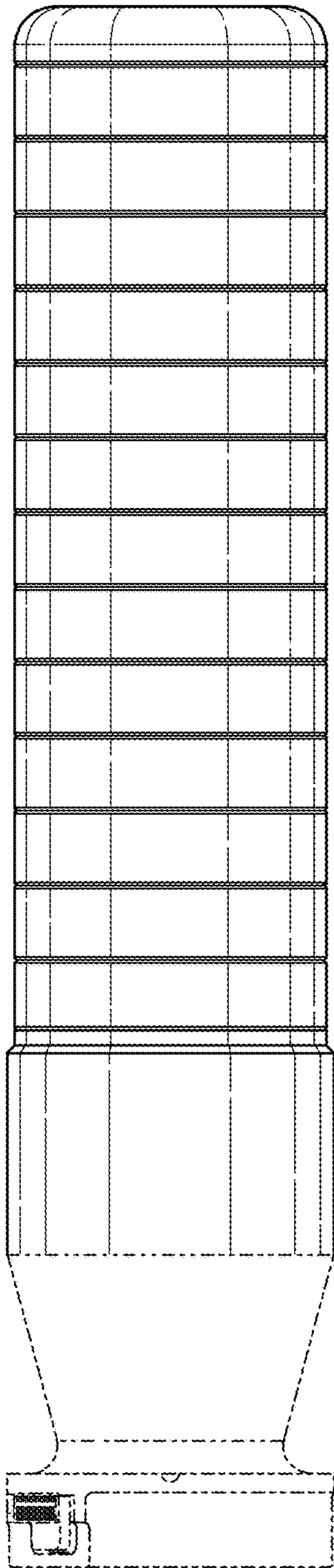


FIG. 4

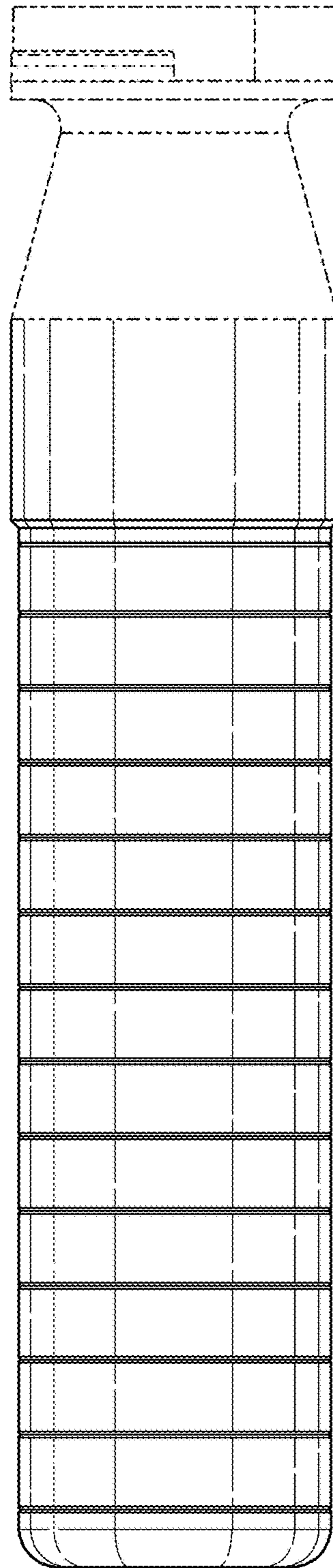


FIG. 5

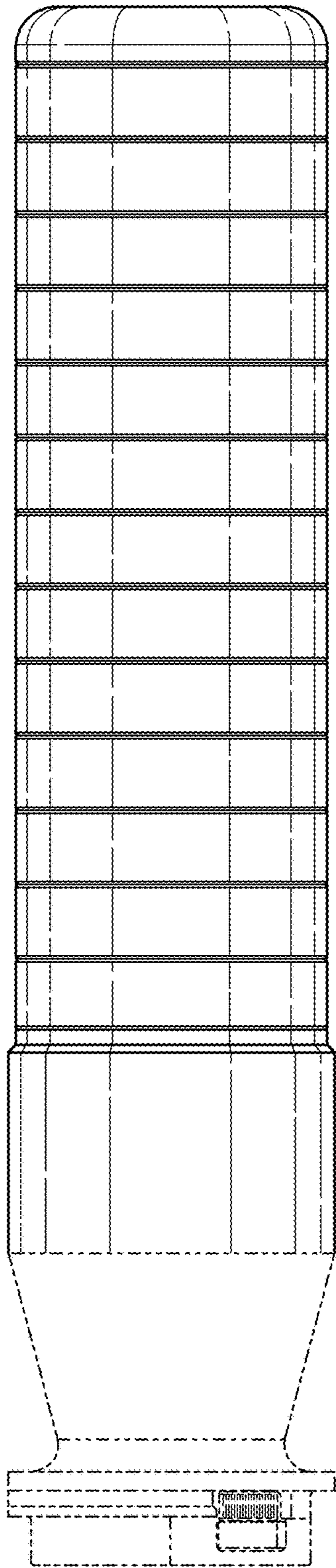


FIG. 6

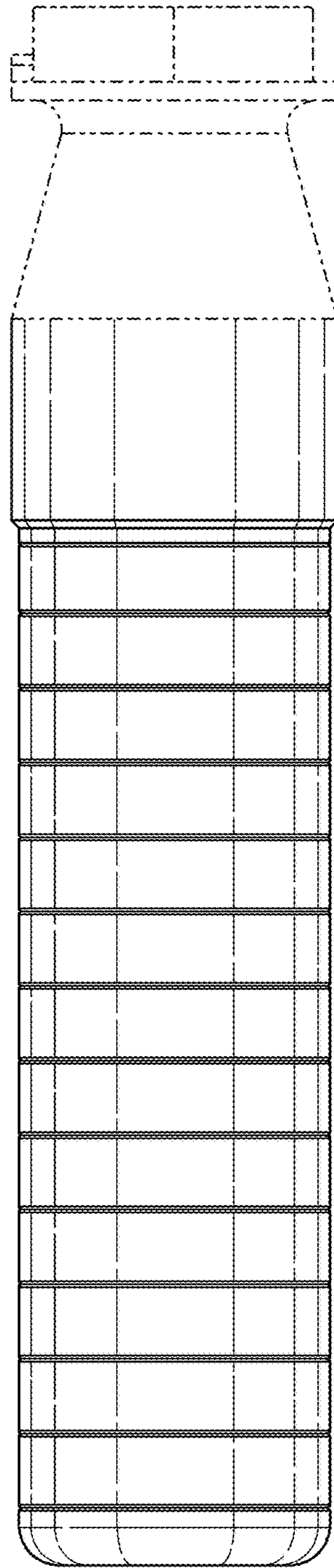


FIG. 7