



US00D810223S

(12) **United States Design Patent**  
**Kielsmeier et al.**

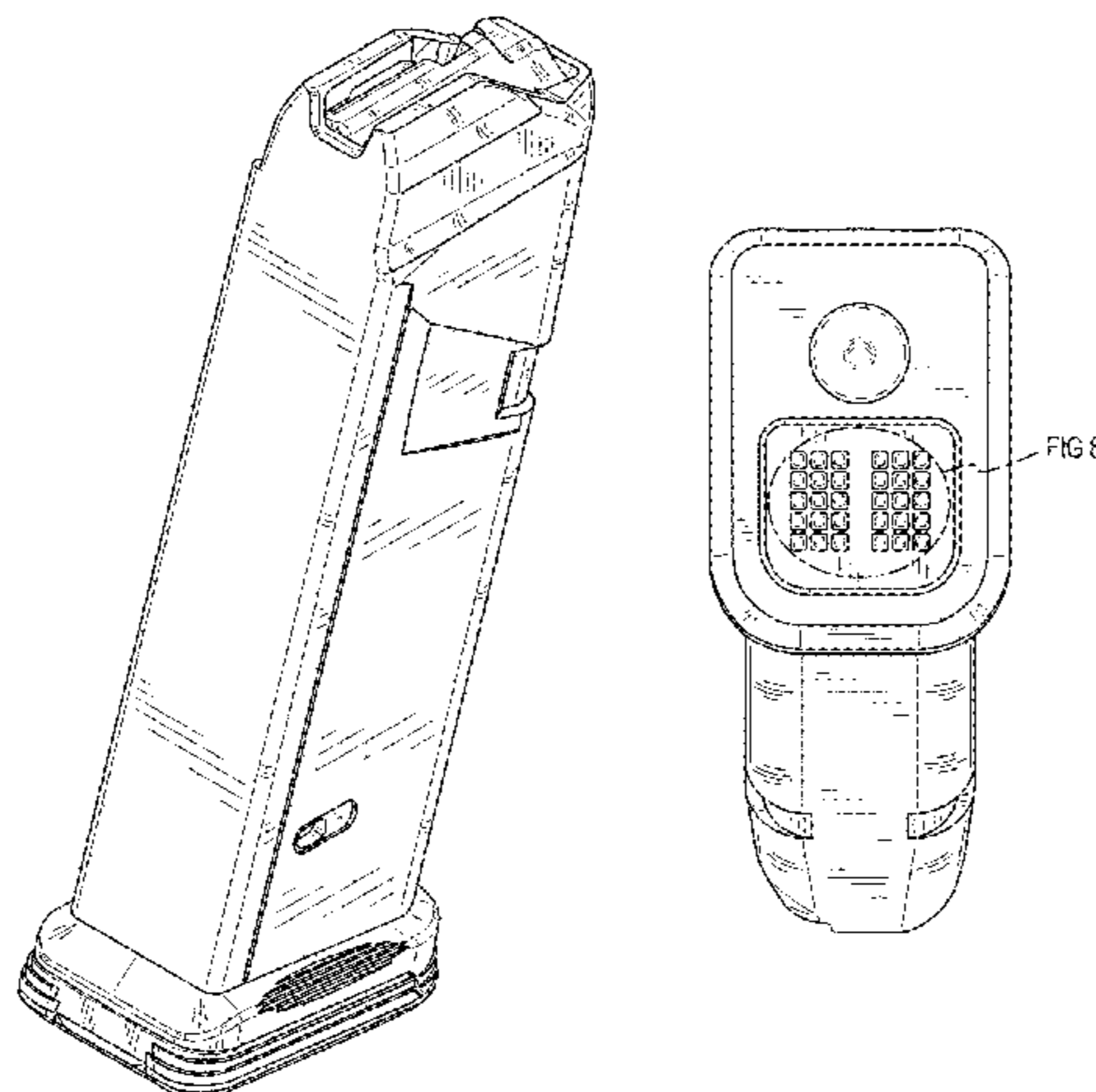
(10) **Patent No.:** **US D810,223 S**  
(45) **Date of Patent:** **\*\* Feb. 13, 2018**

- (54) **MAGAZINE FOR A FIREARM**
- (71) Applicant: **Magpul Industries Corp.**, Louisville, CO (US)
- (72) Inventors: **Nicholas Kielsmeier**, Denver, CO (US);  
**Brian L. Nakayama**, Arvada, CO (US);  
**Jeremy Fiester**, Lafayette, CO (US);  
**Michael T. Mayberry**, Denver, CO (US)
- (73) Assignee: **Magpul Industries Corp.**, Austin, TX (US)
- (\*\*) Term: **15 Years**
- (21) Appl. No.: **29/541,894**
- (22) Filed: **Oct. 8, 2015**
- (51) **LOC (11) Cl.** ..... **22-01**
- (52) **U.S. Cl.**  
USPC ..... **D22/108**
- (58) **Field of Classification Search**  
USPC ..... D8/354, 373, 380, 499; D22/108, 109,  
D22/199; 248/200  
CPC ..... F16M 11/00  
See application file for complete search history.

D376,187 S	12/1996	Haber
5,584,136 A	12/1996	Boland
5,615,505 A	4/1997	Vaid
5,651,204 A	7/1997	Husley et al.
5,666,752 A	9/1997	Grams
5,755,052 A	5/1998	Keeney
D401,992 S	12/1998	Pearce
5,845,426 A	12/1998	Valorose
6,055,758 A	5/2000	Vieweg
6,557,287 B2	5/2003	Wollmann
6,568,115 B2	5/2003	Beretta
D487,790 S	3/2004	Freed
D487,791 S	3/2004	Freed
D493,861 S	8/2004	Rauch et al.
6,796,300 B2	9/2004	Petrosyan
6,928,764 B2	8/2005	Freed
7,069,683 B1	7/2006	Kapusta
7,093,386 B1	8/2006	Vieweg
7,117,622 B2	10/2006	Freed et al.
7,200,963 B1	4/2007	Vieweg
7,200,964 B2	4/2007	Gates
7,237,354 B1	6/2007	Conner
7,318,294 B2	1/2008	Zimmermann
D593,633 S	6/2009	Fitzpatrick et al.
D593,635 S	6/2009	Fitzpatrick et al.
7,779,571 B1	8/2010	Roth
7,797,871 B2	9/2010	Bubits
D632,752 S	2/2011	Fitzpatrick et al.
D644,291 S	8/2011	Faifer
D647,589 S	10/2011	Rogers et al.
8,028,455 B1	10/2011	Battaglia
8,042,297 B2	10/2011	Emde
8,069,601 B1	12/2011	Fitzpatrick et al.
8,322,063 B1	12/2012	Battaglia
8,484,875 B2	7/2013	Heath
8,561,334 B2	10/2013	Metzger
8,607,489 B1	12/2013	Calvert
8,646,200 B2	2/2014	Rendulic
8,671,606 B2	3/2014	Plataniotis et al.
8,689,475 B2	4/2014	Battaglia
8,713,835 B1	5/2014	Calvert
8,752,317 B1	6/2014	Calvert
8,752,318 B2	6/2014	Pulit, Jr.
8,863,422 B2	10/2014	Ballard
D716,903 S	11/2014	Larmer et al.
8,919,022 B2	12/2014	Chewning et al.
8,943,727 B2	2/2015	Russell
D726,279 S	4/2015	Stedman
D727,456 S	4/2015	Schefter et al.
9,062,924 B2	6/2015	Mock et al.
D735,831 S	8/2015	Faifer
D738,454 S	9/2015	Smith
D739,490 S	9/2015	Iannello et al.

(56) **References Cited**  
U.S. PATENT DOCUMENTS

1,719,384 A	7/1929	Tansley	
4,107,862 A	8/1978	Sofinowski, III	
4,539,889 A	9/1985	Glock	
4,766,800 A	8/1988	Miller et al.	
4,798,018 A	1/1989	Johansson	
4,862,618 A	9/1989	Szabo	
4,888,898 A	12/1989	Miller et al.	
D309,768 S *	8/1990	Blackshaw	D22/108
5,168,648 A	12/1992	Brandl et al.	
5,357,703 A	10/1994	Gaines et al.	
5,438,783 A	8/1995	Snieszak et al.	
D362,044 S	9/1995	Snieszak	
5,461,811 A	10/1995	Ciener	
5,495,687 A	3/1996	Waiser	
5,561,933 A	10/1996	Czejalski	



9,170,062	B2	10/2015	Corso	
D745,944	S *	12/2015	Kielsmeier	D22/108
D745,945	S *	12/2015	Kielsmeier	D22/108
D746,403	S *	12/2015	Kielsmeier	D22/108
9,207,028	B1	12/2015	Mock et al.	
D748,219	S *	1/2016	Kielsmeier	D22/108
9,228,788	B1	1/2016	Simon et al.	
D755,310	S *	5/2016	Pedersen	D21/573
D755,336	S *	5/2016	Nakayama	D22/108
D757,884	S *	5/2016	Kielsmeier	D22/108
D769,397	S *	10/2016	Lam	D22/108
2001/0037596	A1	11/2001	Salvitti	
2002/0029506	A1	3/2002	Wollmann	
2004/0031181	A1	2/2004	Freed	
2004/0148838	A1	8/2004	Conner	
2004/0154207	A1	8/2004	Conner	
2005/0011097	A1	1/2005	Freed et al.	
2008/0028661	A1	2/2008	Bubits	
2008/0196290	A1	8/2008	Bubits et al.	
2008/0313946	A1	12/2008	Gruber et al.	
2010/0251590	A1	10/2010	Fitzpatrick et al.	
2010/0299986	A1	12/2010	Emde	
2011/0005113	A1	1/2011	Fitzpatrick et al.	
2011/0030259	A1	2/2011	Castro et al.	
2012/0227300	A1	9/2012	Seeley et al.	
2013/0019511	A1	1/2013	Plataniotis et al.	
2013/0139426	A1	6/2013	Baxley	
2013/0180146	A1	7/2013	Fitzpatrick et al.	
2013/0227870	A1	9/2013	Rendulic	
2014/0075810	A1	3/2014	Mikroulis	
2014/0150315	A1	6/2014	Russell	
2015/0000170	A1	1/2015	Lee	
2015/0075049	A1	3/2015	Klarborg	
2015/0075050	A1	3/2015	Hayes et al.	
2015/0121736	A1	5/2015	Faifer	
2015/0192377	A1	7/2015	Larson, Jr.	
2015/0241151	A1	8/2015	Luebke	
2015/0241162	A1	8/2015	Geraghty et al.	
2015/0308767	A1	10/2015	Mikroulis	
2015/0316340	A1	11/2015	Ladner	

FOREIGN PATENT DOCUMENTS

EP	1568962	A1	8/2005
EP	1568962	B1	8/2007
WO	0206749	A1	1/2002
WO	2005075929	A3	8/2005
WO	2009000973	A3	12/2008
WO	2012073052	A1	6/2012
WO	2013086416	A1	6/2013
WO	2015030695	A1	3/2015
WO	2015160999	A2	10/2015

OTHER PUBLICATIONS

Magpul, PMAG 17 GL9™—Glock G17 9X19MM Parabellum, publication date unknown, [site visited Nov. 3, 2016], Available on the Internet URL: <<http://web.archive.org/web/20160919114342/https://www.magpul.com/products/firearms-accessories/pmag-magazines/pmag-17-gl9>>.\*

Glock Perfection, “Glock 17”, p. 4, Publisher: Webpage located at <http://us.glock.com/products/model/g17> downloaded on Jan. 29, 2015, Published in: US.

Lenny Magill’s Glock Store, “High Capacity Glock Factory Magazines”, kteaea 12915, p. 3, Publisher: Website located at <http://www.glockstore.com/glock-factory-magazines/standard-glock-factory-magazines>.

Lenny Magill’s Glock Store, “Glock Mag Floor Plate”, KTEAEA12915, p. 2, Publisher: Website located at <http://www.glockstore.com/glock-mag-floor-plate-9-40-357-45gap>.

Lenny Magill’s Glock Store, “Glock Mag Follower 9MM New Style”, KTEAEA 12915, p. 2, Publisher: Website located at <http://www.glockstore.com/glock-mag-follower-9mm-new-style-new-version-6>.

Lenny Magill’s Glock Store, “Glock Factory Magazine 4 Packs”, KTEAEA 12915, p. 2, Publisher: Website located at <http://www.glockstore.com/glock-factory-magazine-4-packs>.

KCI Magazines, “KCI Glock 17—9MM 17 Round Magazine”, KTEAEA12915, p. 2, Publisher: Website located at <http://www.kcimags.com/kci-glock-17-9mm-17-round-magazine/>.

KCI Magazines, “KCI Glock 19—9MM 15 Round Magazine”, Oct. 21, 2015, p. 2, Publisher: Website located at <http://www.kcimags.com/kci-glock-19-9mm-15-round-magazine/>.

Teague, Rod, “Breaking Down Ruger’s New Polymer GSR Magazines”, KTEAEA11082011, p. 22, Publisher: Website located at <http://libertytreeblogs.blogspot.com/2011/11/breaking-down-rugers-new-polymer-gsr.html>.

Midway USA Inc., “Glock Magazine Gen 4 Glock 19 9MM Luger Polymer Black”, Known to exist Oct. 2015, p. 3, Publisher: Website located at <http://www.midwayusa.com/product/930295773/glock-magazine-gen-4-glock-19-9mm-luger-polymer-black>, Published in: US.

Nguyen, John, “Internation Search Report and Written Opinion re Application No. PCT/US15/56975”, dated Dec. 3, 2015, p. 12.

Cooper, John, “Office Action re U.S. Appl. No. 14/523,634”, dated Nov. 16, 2015, p. 39.

Promag Industries, “GLK-A9-Glock 17/19/26 9MM 17 Round Polymer Magazine”, Known to exist Oct. 2015, p. 5, Publisher: Website located at <https://promagindustries.com/glock/151-glock-17-19-26-9mm-17rd-polymer-magazine.html>.

Strum, Ruger & Co. Inc., “Ruger SR22”, Known to exist Oct. 2015, p. 4, Publisher: Website located at <http://www.ruger.com/products/sr22Pistol/models.html>.

Smith & Wesson, “Smith & Wesson M&P Shield 9MM”, Known to exist Oct. 2015, p. 3, Publisher: Website located at [http://www.smith-wesson.com/webapp/wcs/stores/servlet/Product4\\_750001\\_750051\\_809560\\_-1\\_780153\\_757781\\_757781\\_ProductDisplayErrorView](http://www.smith-wesson.com/webapp/wcs/stores/servlet/Product4_750001_750051_809560_-1_780153_757781_757781_ProductDisplayErrorView), Published in: US.

Tango Down Inc., “Vickers Tactical Magazine Floor Plates VTMFP-001”, Known to exist Oct. 2015, p. 5, Publisher: Website located at <https://tangodown.com/shop/vickers-tactical-glock-mag-floor-plate/>.

Askari-Farahani, Layla, “Canadian Office Action Re Application No. 167723”, dated Nov. 1, 2016, p. 10, Published in: CA.

Dekleine, Geoffrey, “Response to Canadian Office Action Re Application No. 167723”, dated Nov. 14, 2016, p. 2 Published in: CA.

The Israeli Patent Office, “Israeli Office Action Re Application No. 59353”, dated Nov. 2, 2016, p. 3, Published in: IL.

The Israeli Patent Office, “Israeli Office Action Re Application No. 58328”, dated Nov. 2, 2016, p. 4, Published in: IL.

Reinhold Cohn IP Attorneys, “Response to Israel Office Action Re Application No. 58328”, dated Nov. 30, 2016, p. 10, Published in: IL.

\* cited by examiner

Primary Examiner — Susan Bennett Hattan

Assistant Examiner — Steven B Reinholdt, Jr.

(74) Attorney, Agent, or Firm — Neugeboren O’Dowd PC

(57)

CLAIM

The ornamental design for a magazine for a firearm, as shown and described.

DESCRIPTION

FIG. 1 is a left, top, rear perspective view of a first embodiment of a magazine for a firearm showing our new design;

FIG. 2 is a rear elevation view of the magazine of FIG. 1;

FIG. 3 is a front elevation view of the magazine of FIG. 1;

FIG. 4 is a left side elevation view of the magazine of FIG. 1;

FIG. 5 is a right side elevation view of the magazine of FIG. 1;

FIG. 6 is a top view of the magazine of FIG. 1;

FIG. 7 is a bottom view of the magazine of FIG. 1;

FIG. 8 is a close up of the features circled in FIG. 7;

FIG. 9 is a left, top, rear perspective view of a second embodiment of a magazine showing our new design;

FIG. 10 is a rear elevation view of the magazine of FIG. 8;

FIG. 11 is a front elevation view of the magazine of FIG. 8;

FIG. 12 is a left side elevation view of the magazine of FIG. 8;

FIG. 13 is a right side elevation view of the magazine of FIG. 8;

FIG. 14 is a top view of the magazine of FIG. 8;

FIG. 15 is a bottom view of the magazine of FIG. 8; and,

FIG. 16 is a close up of the features circled in FIG. 15.

The shade lines in the Figures show contour and not surface ornamentation.

The evenly spaced broken lines showing portions of the magazine for a firearm in all figures are included for the purpose of illustrating unclaimed features and forms no part of the claimed design. The dot-dash-dot broken lines in FIGS. 7, 8, 15, and 16 represent the boundary of the enlargement and form no part of the claimed design.

**1 Claim, 14 Drawing Sheets**

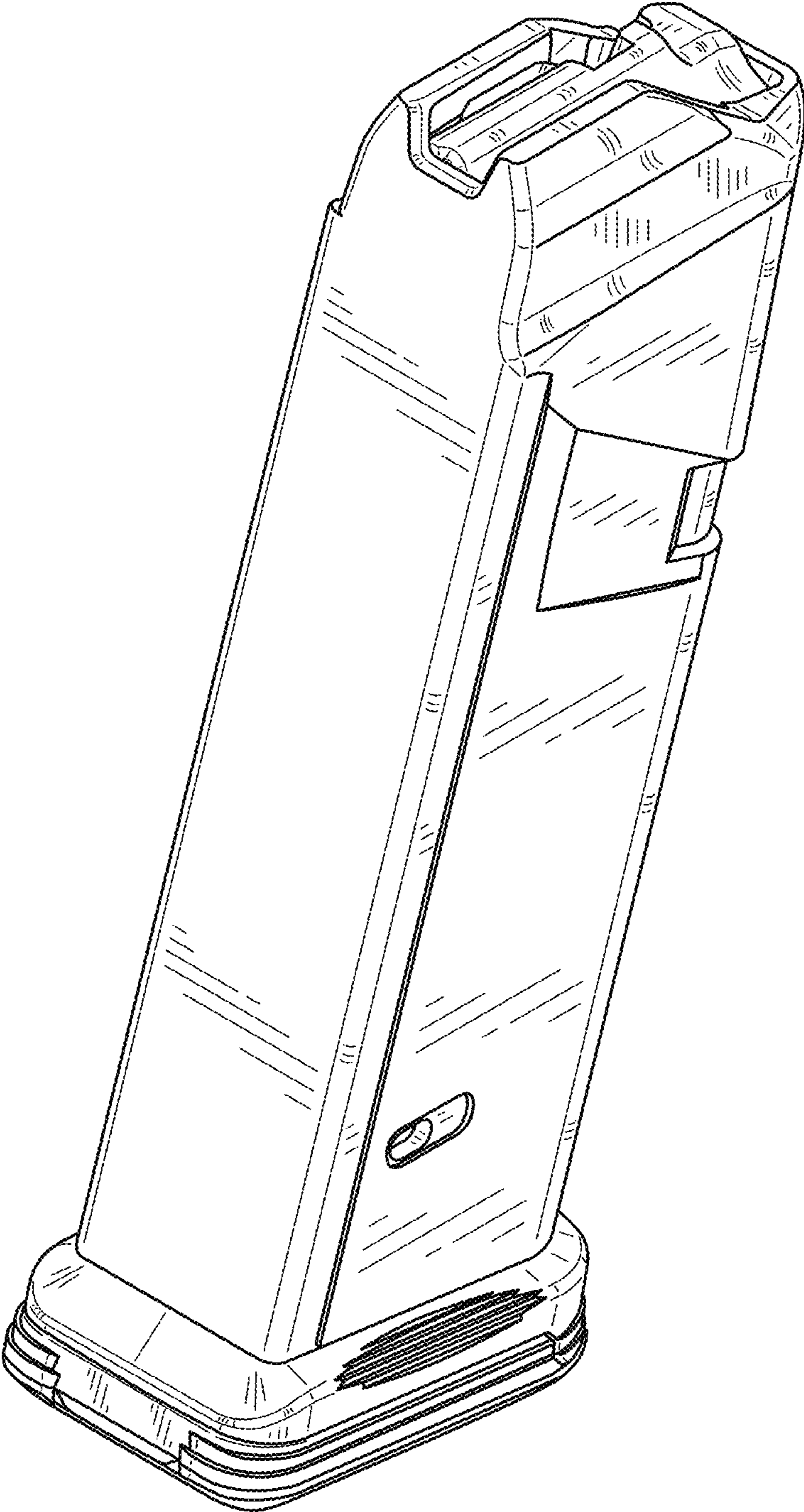


FIG.1

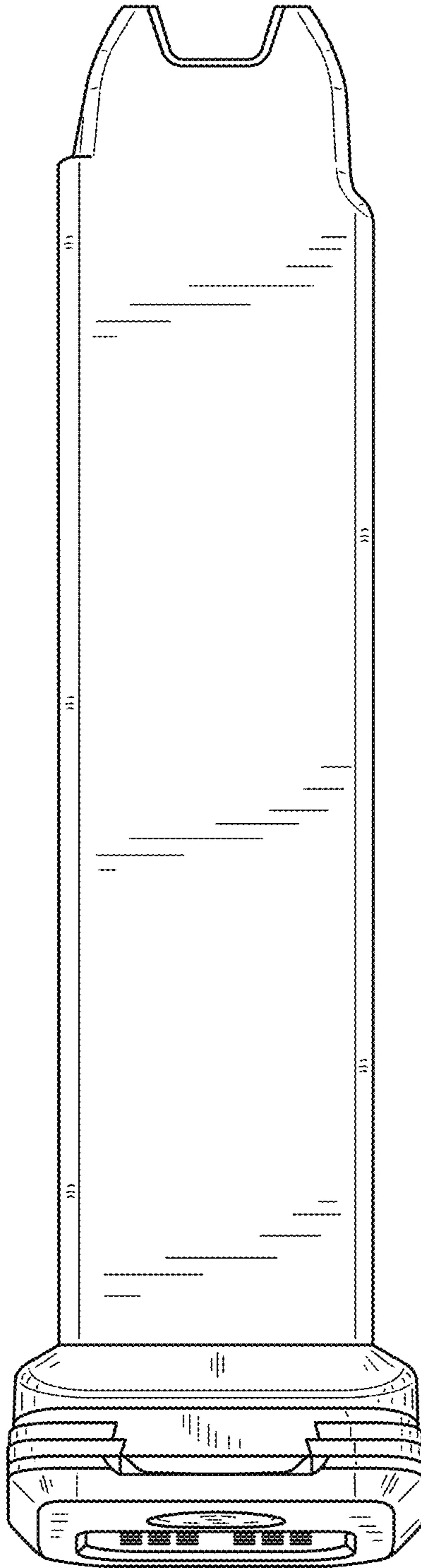


FIG.2

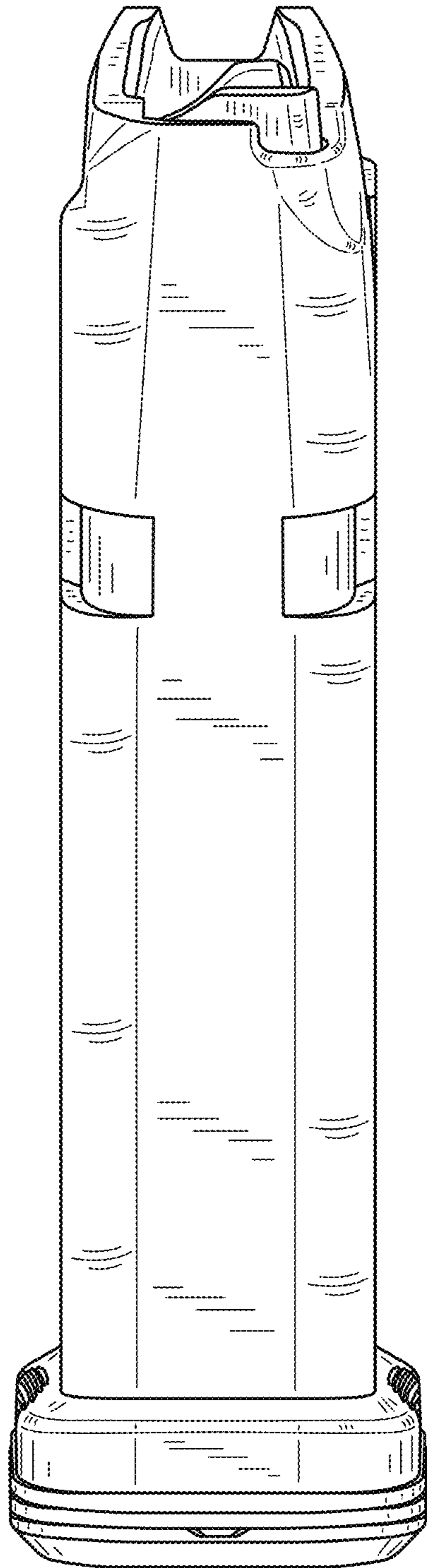


FIG.3

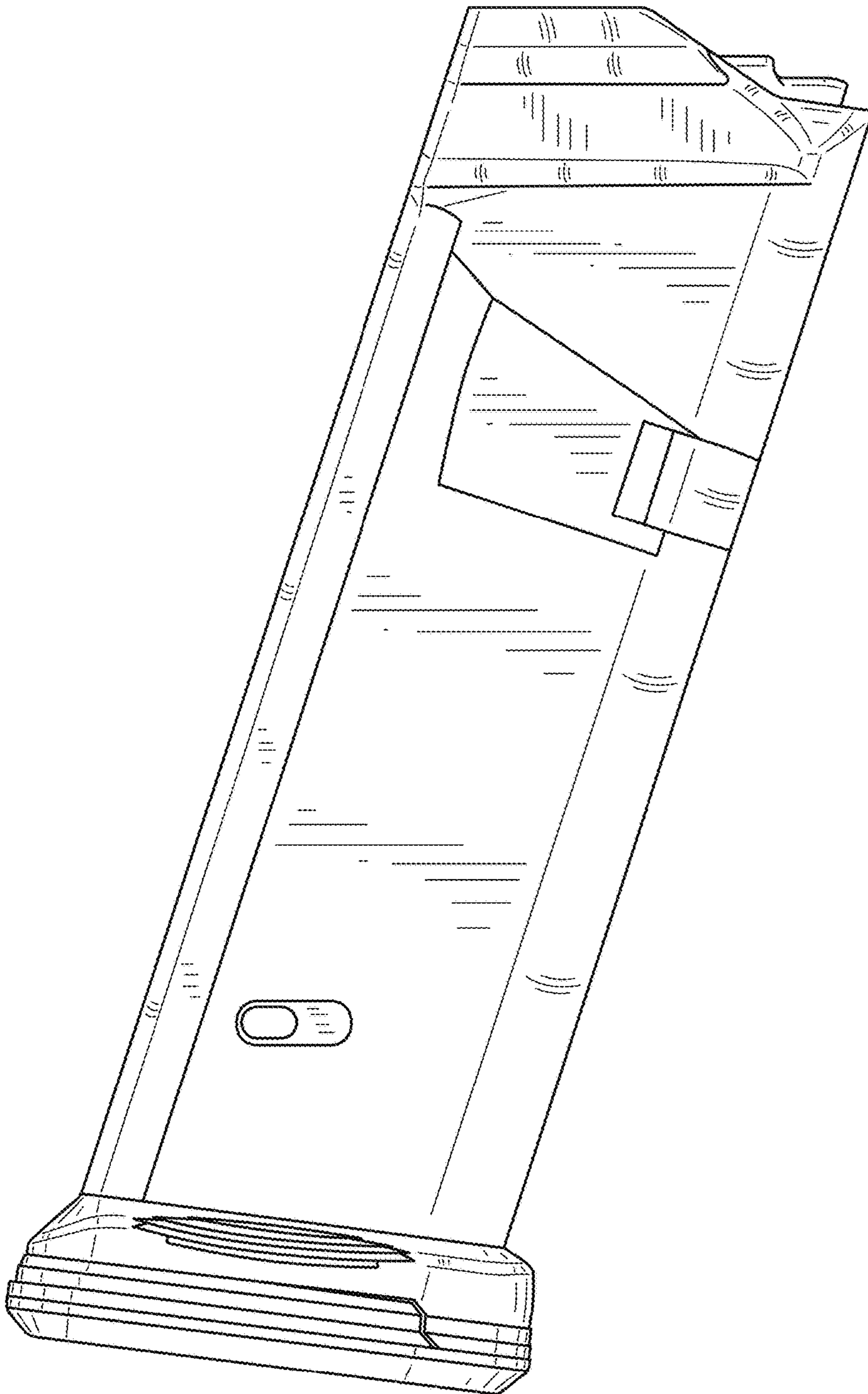


FIG.4

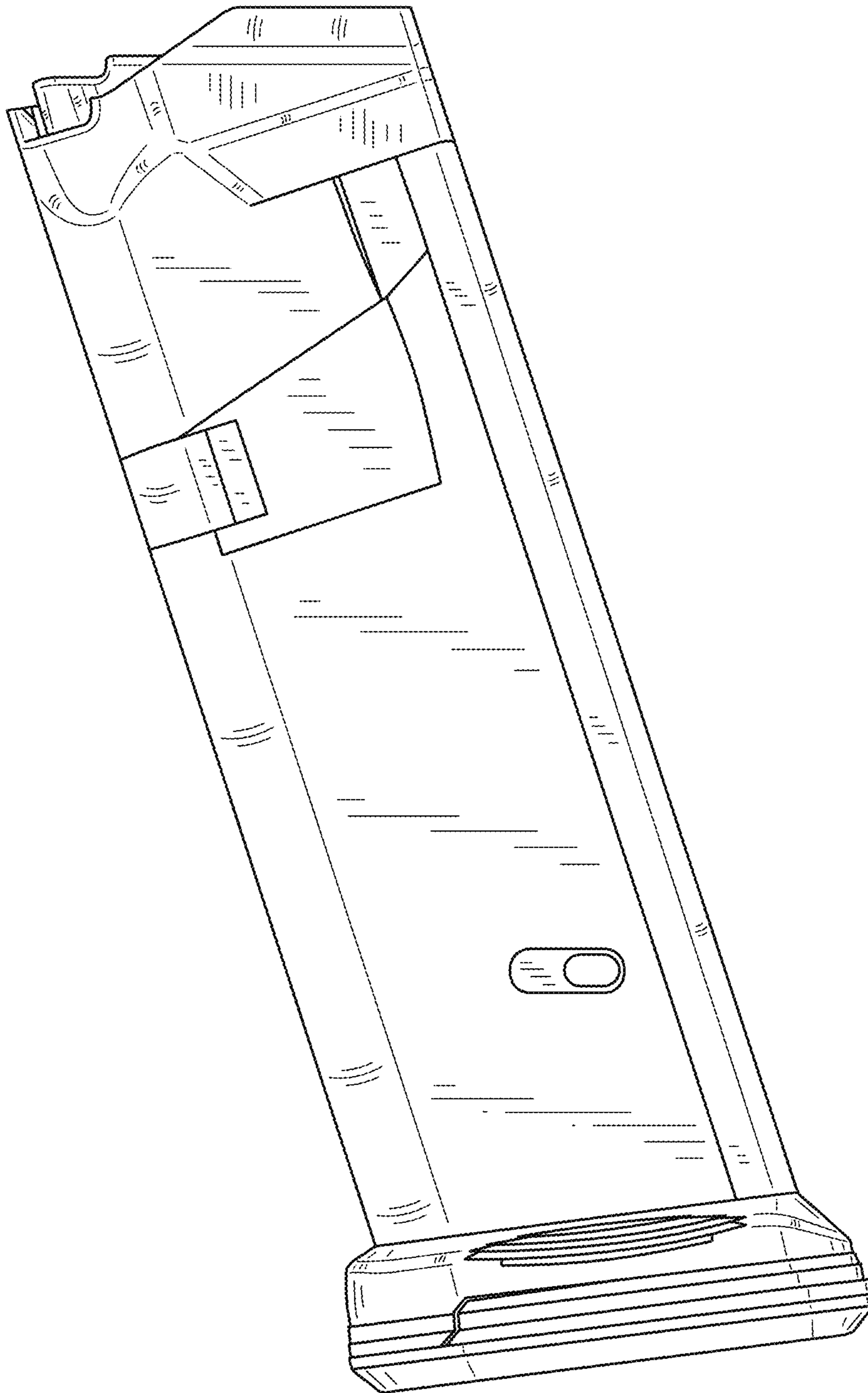


FIG.5



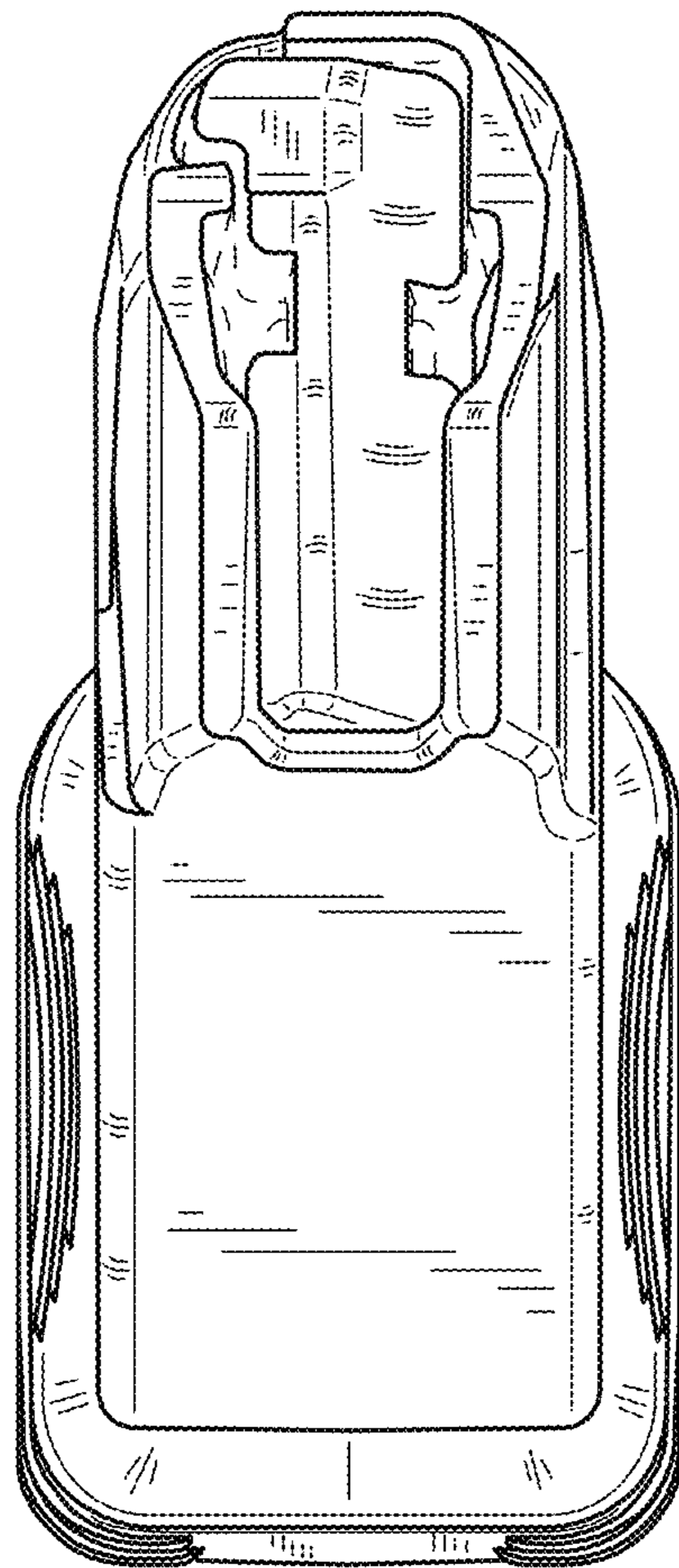


FIG.6

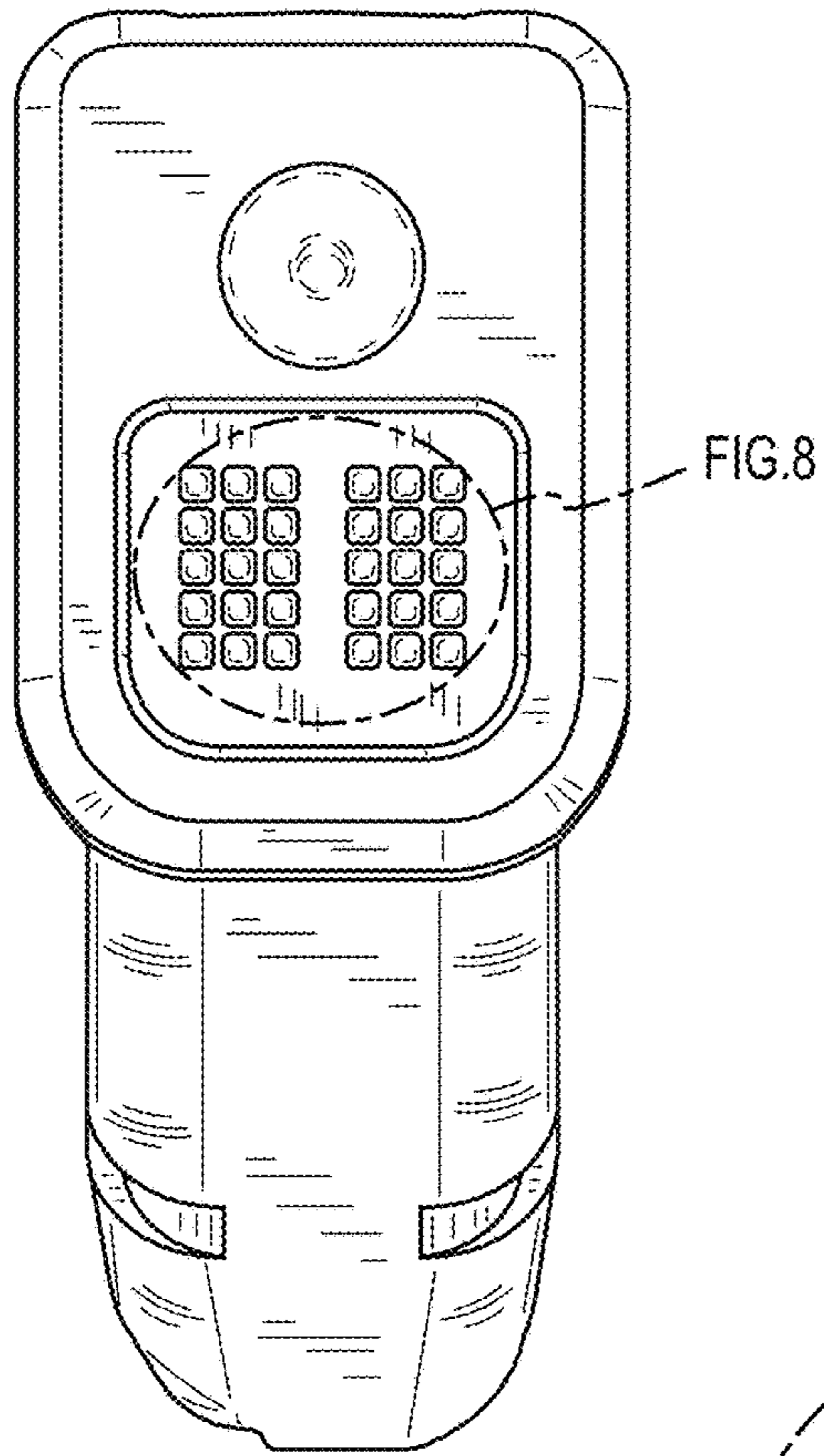


FIG. 7

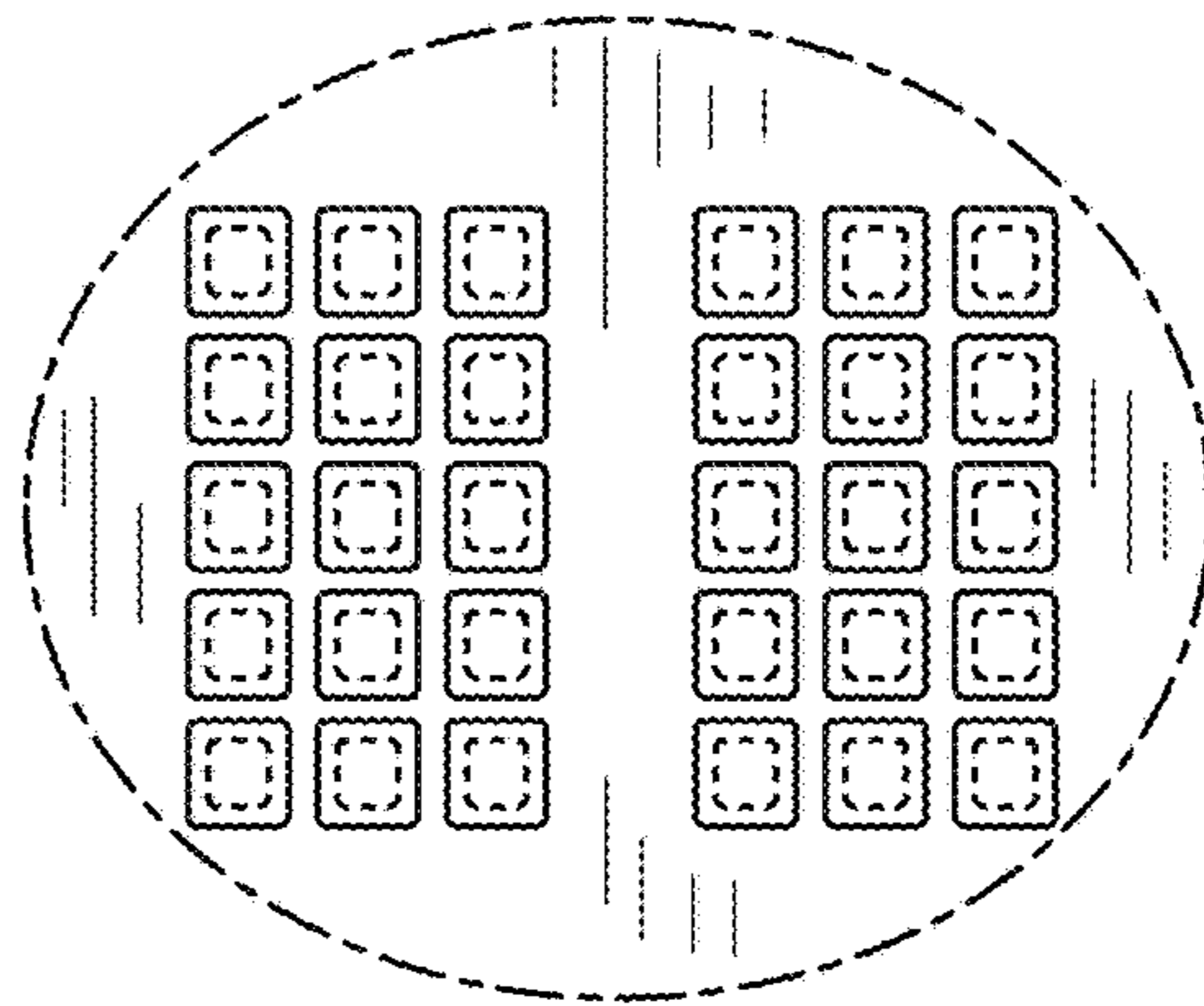


FIG. 8

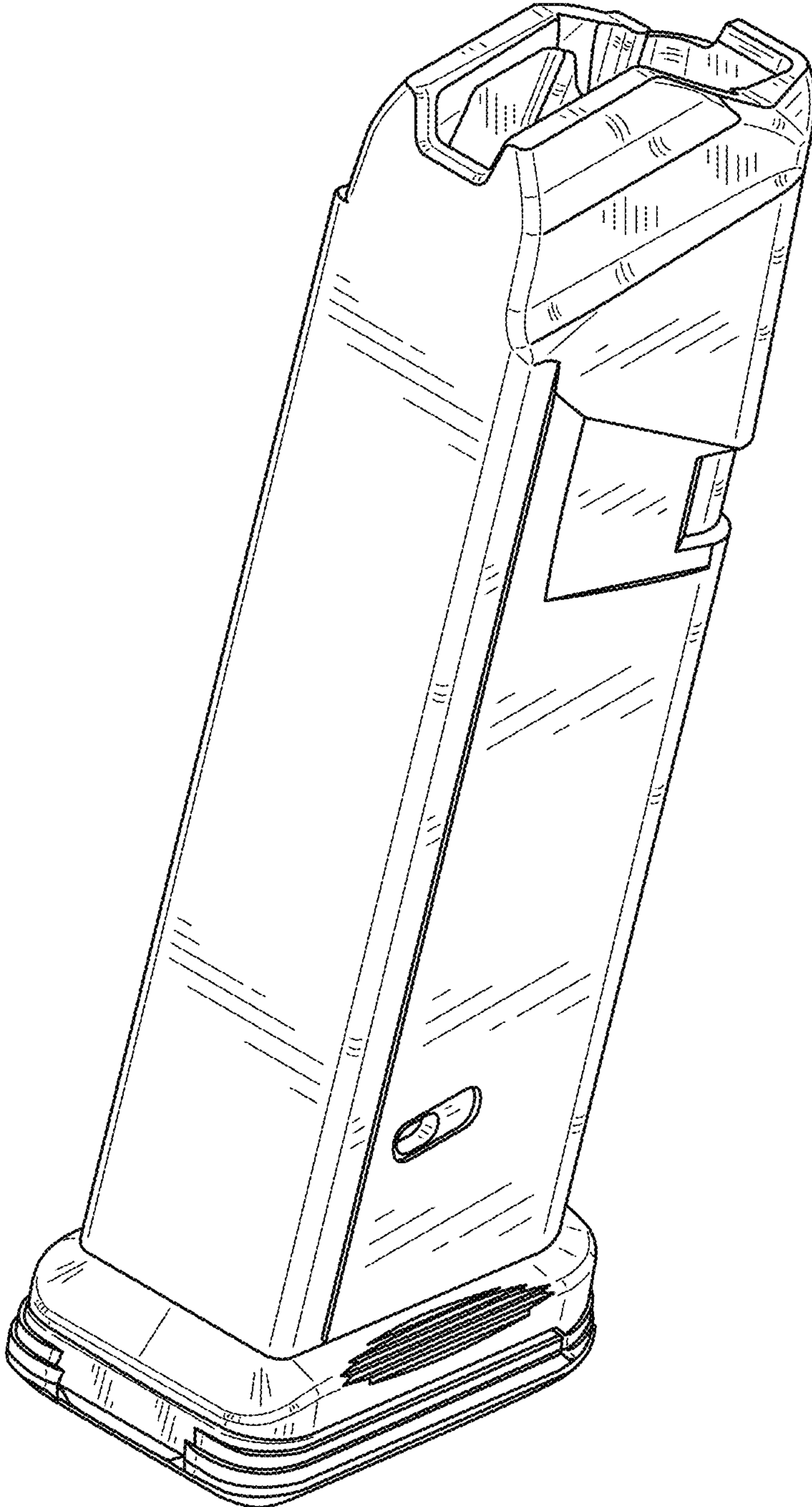


FIG.9

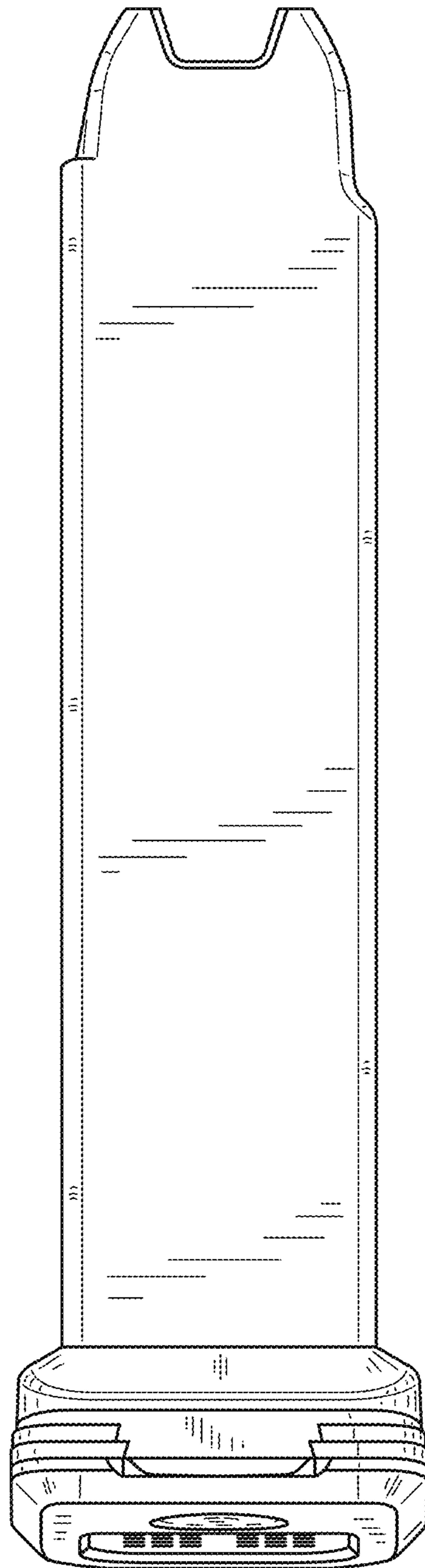


FIG.10

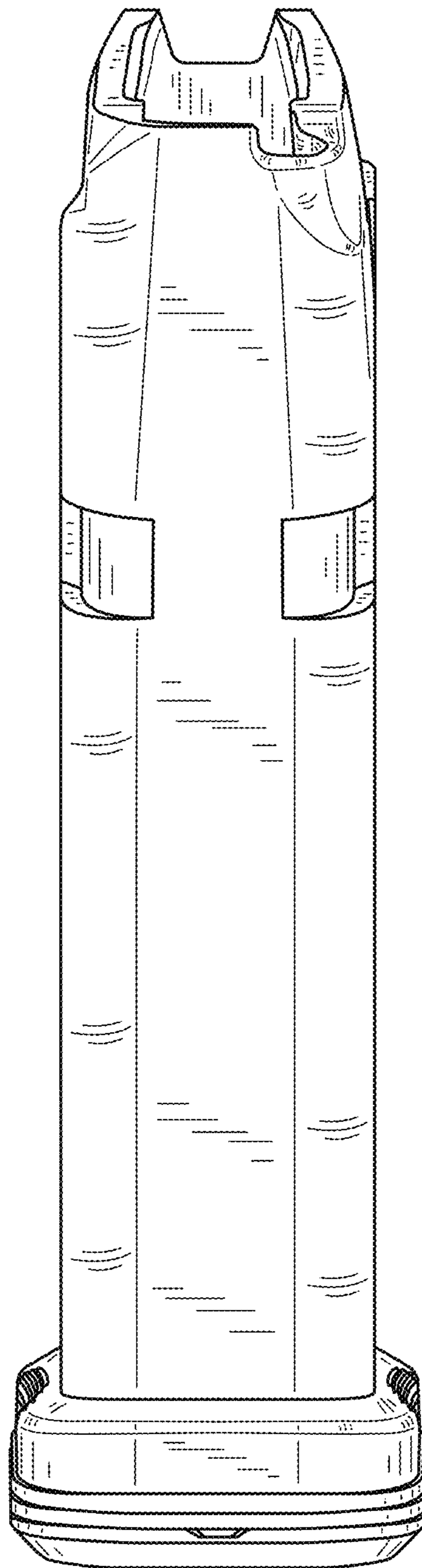


FIG.11

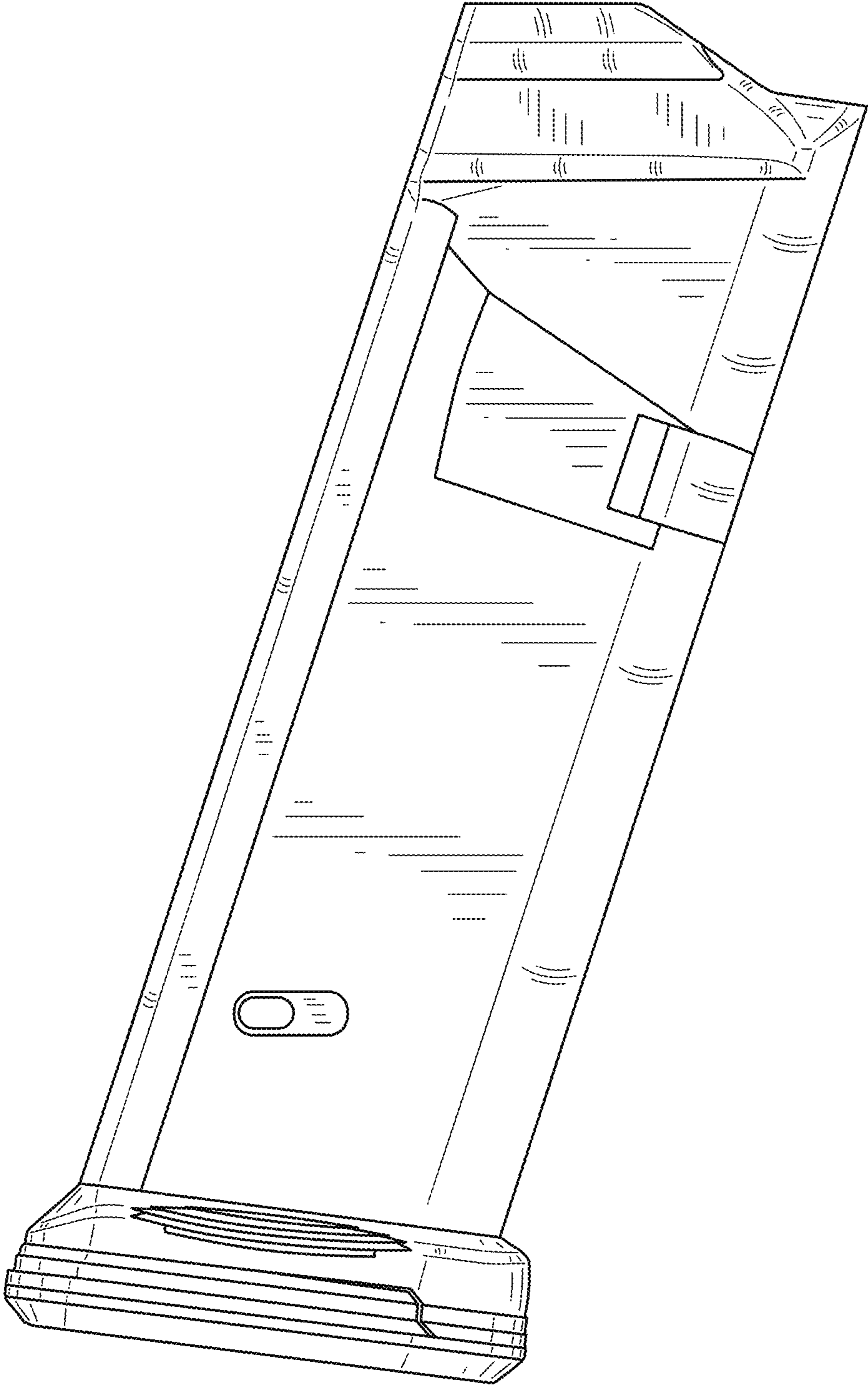


FIG.12

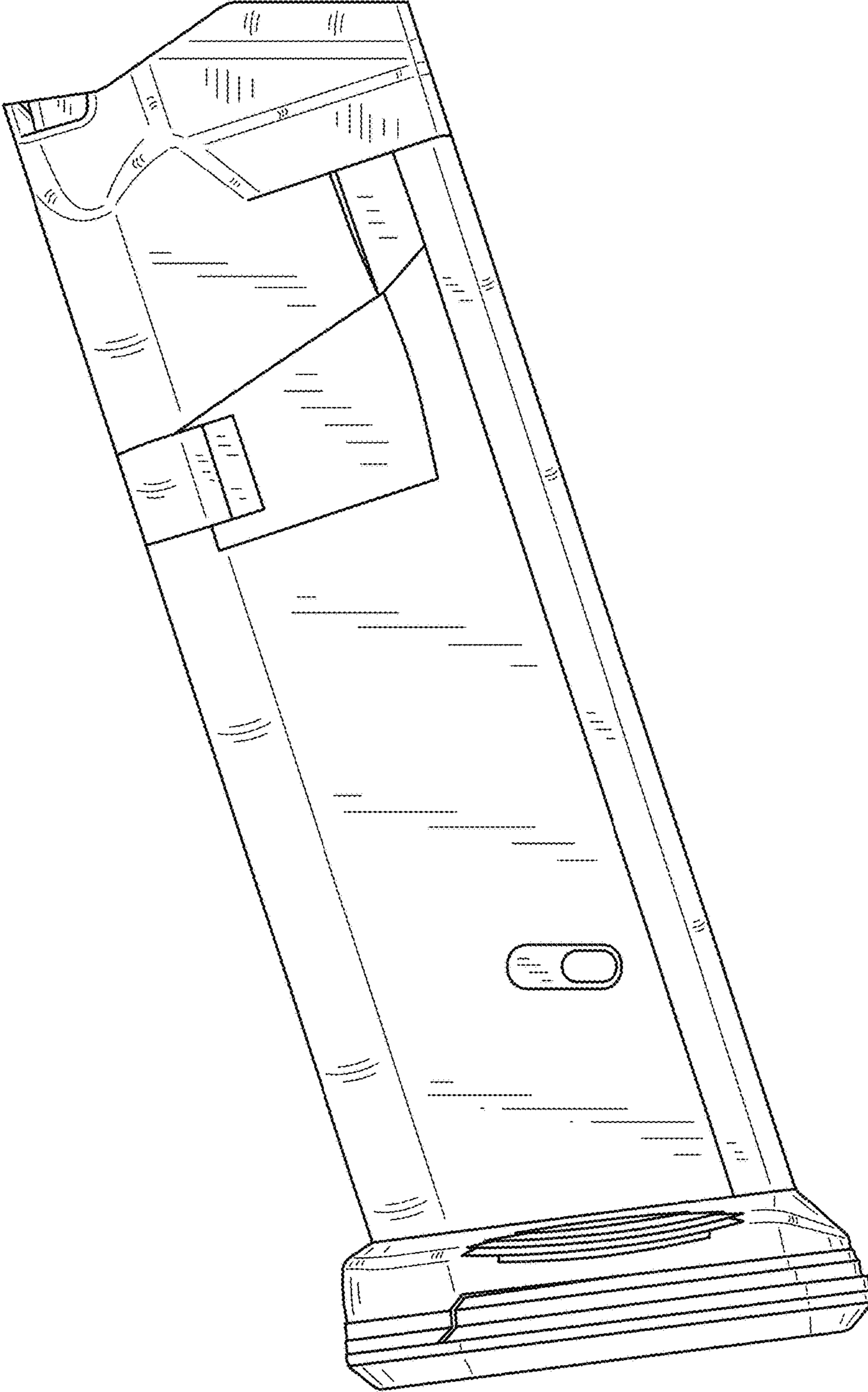


FIG. 13

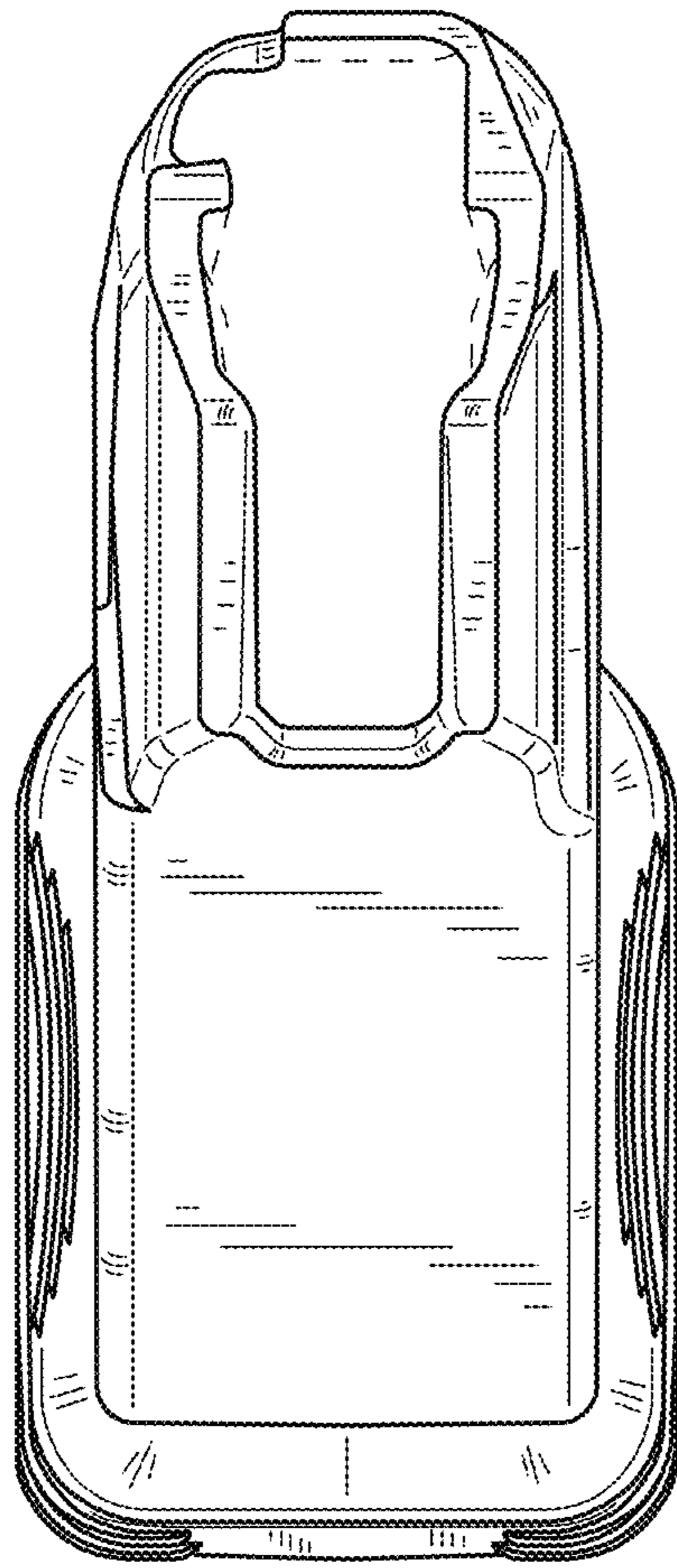


FIG.14



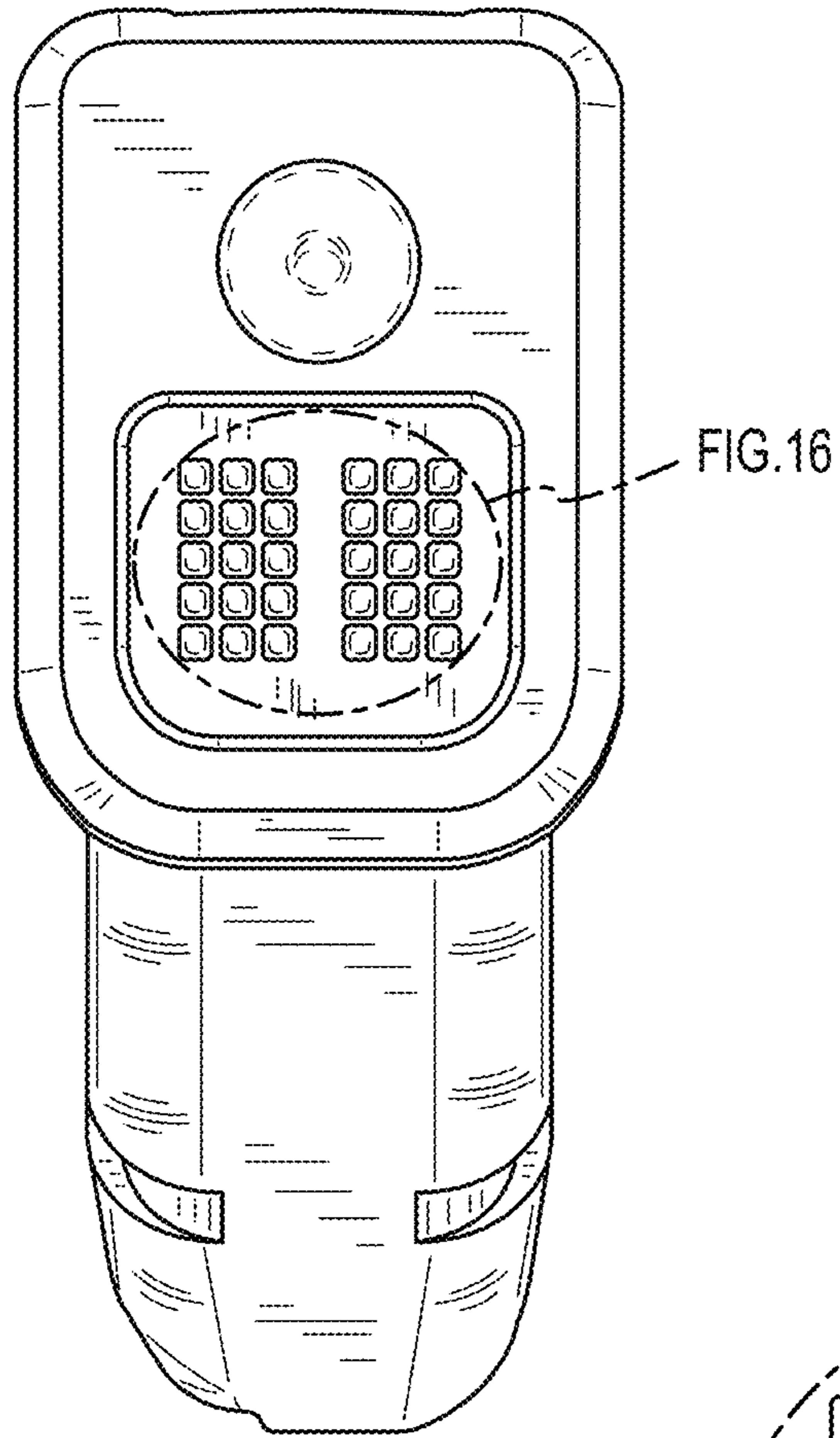


FIG. 15

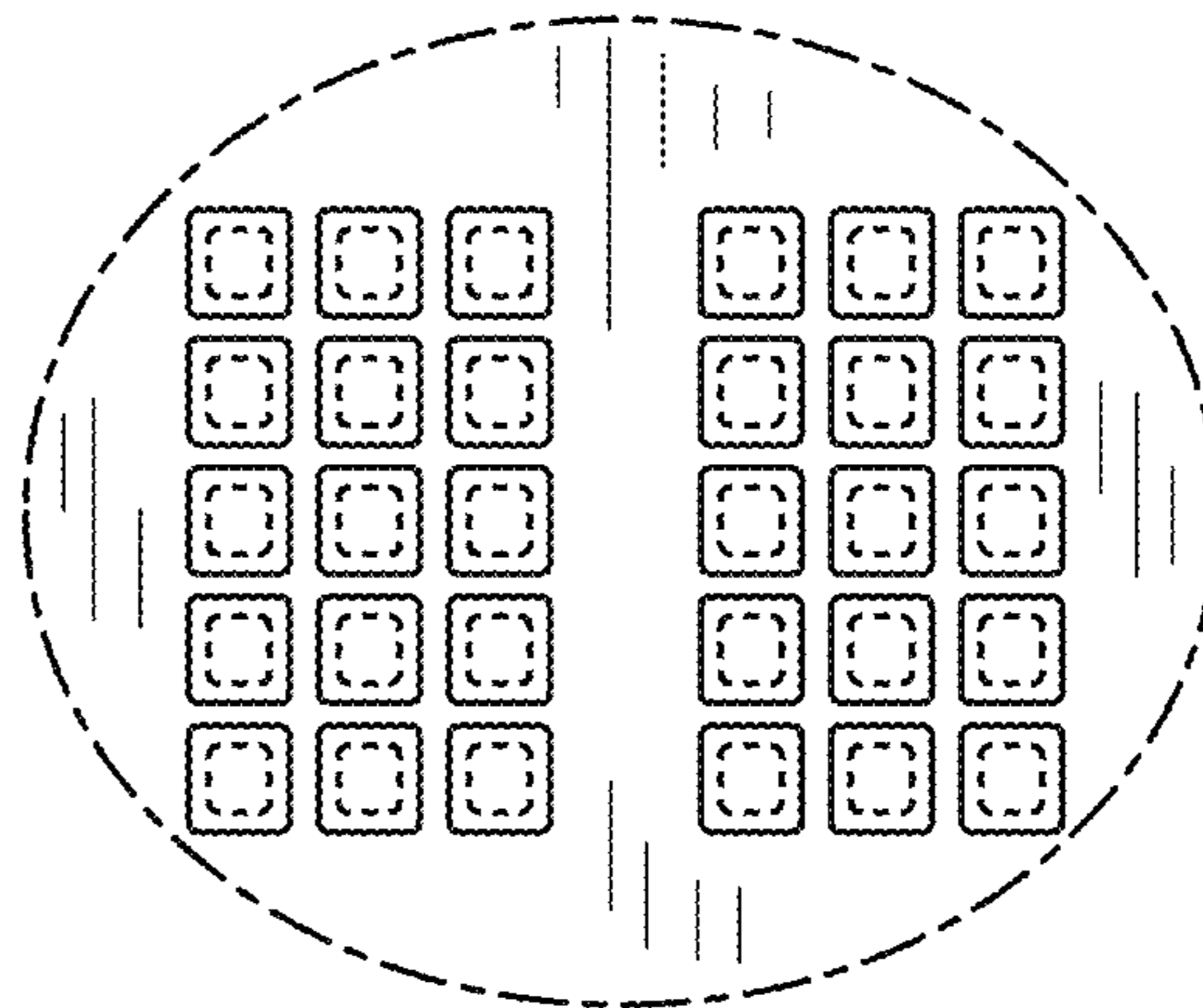


FIG. 16