



US00D810221S

(12) **United States Design Patent** (10) **Patent No.:** **US D810,221 S**
Hsu et al. (45) **Date of Patent:** **** Feb. 13, 2018**

(54) **INFLATABLE SHADE POOL**

2009/0023; B63C 2009/042; B63C 9/30;
B63C 7/00

See application file for complete search history.

(71) Applicant: **Intex Recreation Corp.**, Long Beach,
CA (US)

(56) **References Cited**

(72) Inventors: **Yaw Yuan Hsu**, Fujian (CN); **Kun
Chao Hsu**, Fujian (CN)

U.S. PATENT DOCUMENTS

2,838,768 A 6/1958 Fischett
3,054,124 A 9/1962 Silverstone
(Continued)

(73) Assignee: **INTEX MARKETING LTD.**, Tortola
(VG)

FOREIGN PATENT DOCUMENTS

(**) Term: **15 Years**

AU 226884 11/1958
GB 1162793 8/1969

(21) Appl. No.: **29/540,340**

OTHER PUBLICATIONS

(22) Filed: **Sep. 23, 2015**

“Intex mushroom baby pool, 40"x35", for ages 1-3” [online], posted
Apr. 25, 2016, retrieved Dec. 7, 2016, retrieved from <[https://www.
amazon.com/Intex-Mushroom-baby-Pool-Ages/dp/
B014KOHYRS/ref=sr_1_1?ie=UTF8&qid=1481133632&sr=8-1
&keywords=mushroom+pool](https://www.amazon.com/Intex-Mushroom-baby-Pool-Ages/dp/B014KOHYRS/ref=sr_1_1?ie=UTF8&qid=1481133632&sr=8-1&keywords=mushroom+pool)>.*

(30) **Foreign Application Priority Data**

Jul. 6, 2015 (CN) 2015 3 0237377

(Continued)

(51) **LOC (11) Cl.** **21-02**

(52) **U.S. Cl.**
USPC **D21/803**

(58) **Field of Classification Search**
USPC D21/800–803, 809–810, 424, 451, 473,
D21/814, 818–819, 828–830, 440, 492;
D6/596, 601, 604–605, 621, 362–363,
D6/379–380, 386, 315–316, 320, 329,
D6/364–365; 114/345–346; D8/40, 67,
D8/69, 94, 107; 472/128–129; D25/35,
D25/43, 119, 121, 126; 441/35, 40, 66,
441/129–130

CPC .. Y10S 5/945; A63G 1/12; A63G 3/00; A63G
21/00; A63G 21/04; A63G 21/18; A63G
25/00; A47C 1/14; A47C 1/143; A47C
3/023; A47C 5/06; A47C 7/022; B63C

Primary Examiner — Shannon Morgan
Assistant Examiner — Debra A Callahan
(74) *Attorney, Agent, or Firm* — Faegre Baker Daniels
LLP

(57) **CLAIM**

We claim the ornamental design for an inflatable shade pool,
as shown and described.

DESCRIPTION

FIG. 1 is a perspective view of an inflatable shade pool;
FIG. 2 is a front elevational view of the inflatable shade pool
of FIG. 1;
FIG. 3 is a rear elevational view of the inflatable shade pool
of FIG. 1;
FIG. 4 is a right side elevational view of the inflatable shade
pool of FIG. 1;

(Continued)

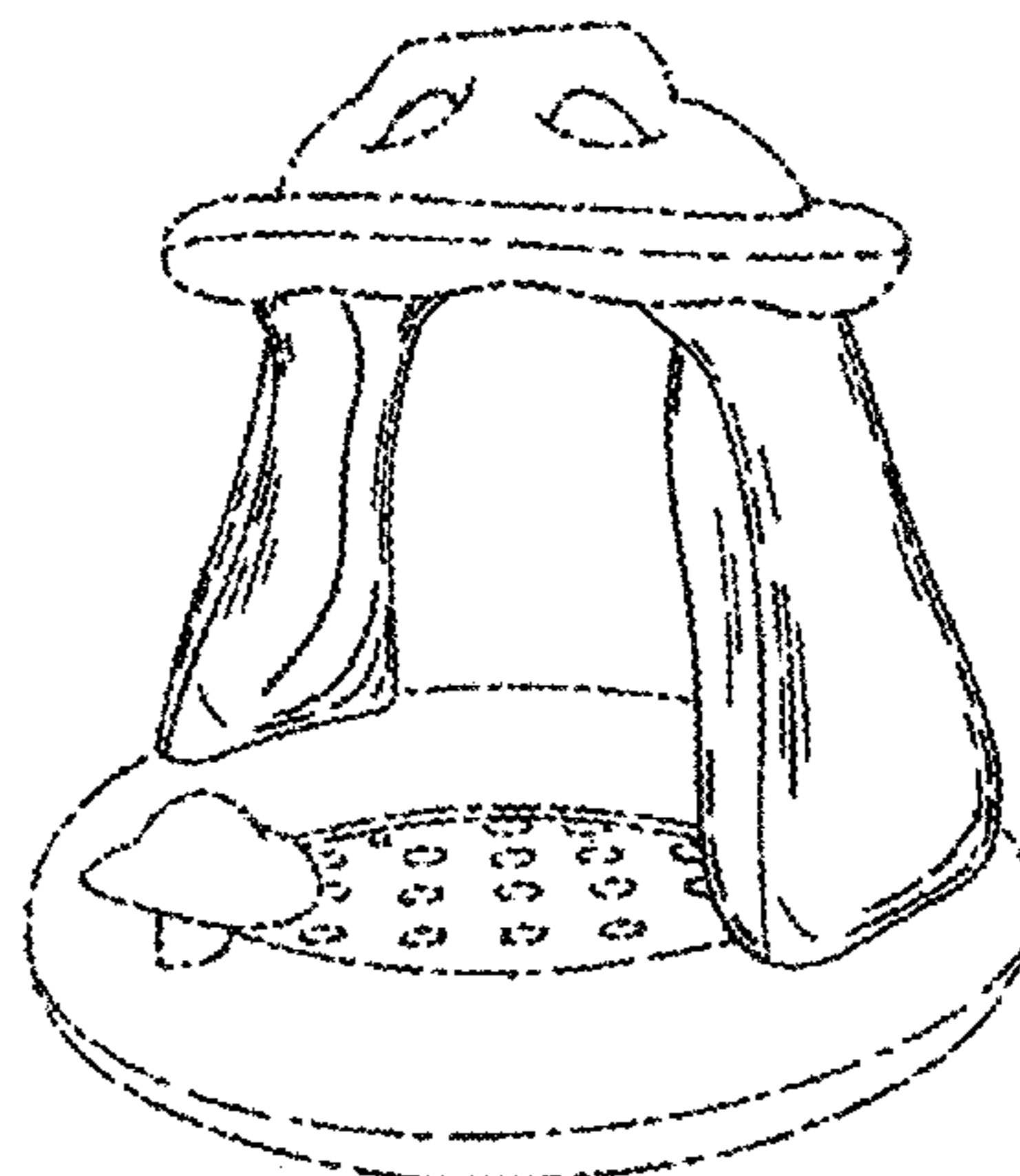


FIG. 5 is a left side elevational view of the inflatable shade pool of FIG. 1;

FIG. 6 is a top plan view of the inflatable shade pool of FIG. 1; and,

FIG. 7 is a bottom plan view of the inflatable shade pool of FIG. 1.

The broken lines in FIGS. 1-7 represent portions of the inflatable shade pool that form no part of the claimed design.

1 Claim, 4 Drawing Sheets

(56)

References Cited

U.S. PATENT DOCUMENTS

3,769,647	A	11/1973	Basa	
4,030,748	A	6/1977	Brock	
4,799,910	A	1/1989	Kellough	
4,865,381	A	9/1989	Van Rogue	
5,190,194	A	3/1993	Rosner et al.	
5,299,588	A	4/1994	MacLeod	
5,320,405	A	6/1994	Foster et al.	
5,356,354	A	10/1994	Owens	
5,394,822	A	3/1995	Worland	
5,407,393	A *	4/1995	Schmidt A63G 21/18 104/69
D361,364	S *	8/1995	Winters D21/835
5,441,067	A	8/1995	James et al.	
5,458,517	A	10/1995	Ellis	
5,482,755	A	1/1996	Manning	
5,690,133	A	11/1997	Capwell	
D393,686	S *	4/1998	Coddington, Jr. D21/814
5,797,650	A	8/1998	Gonzalez et al.	
5,943,709	A	8/1999	Chiu	
5,987,822	A	11/1999	McNiff et al.	
D423,624	S *	4/2000	Motosko D21/814
6,209,150	B1	4/2001	Hsu et al.	
D446,568	S *	8/2001	Peterson D21/803
D478,955	S *	8/2003	Chen D21/797
D482,259	S *	11/2003	Chen D8/107
D483,244	S *	12/2003	Chen D8/107
D504,487	S *	4/2005	Peterson D21/803
D504,488	S *	4/2005	Peterson D21/803
D531,877	S *	11/2006	Chang D8/107
D565,383	S *	4/2008	Bruno D8/107
D597,624	S *	8/2009	Boulton D21/819

OTHER PUBLICATIONS

“IQ series letter train activity table,” [online], posted Dec. 6, 2013, retrieved Dec. 7, 2016, retrieved from <https://www.amazon.com/IQ-Letter-Train-Activity-Table/dp/B00C3XYDAA/ref=sr_1_8?ie=UTF8&qid=1481133329&sr=8-8&keywords=baby+play+table.*>.*

“Column,” [online], posted Jul. 22, 2014, retrieved Dec. 7, 2016, retrieved from <<https://dfl.arq.up.pt/column-2/>>.*

“Stonehenge,” [online], posted Sep. 2002, retrieved Dec. 7, 2016, retrieved from <<http://www.stone-circles.org.uk/stone/stonehenge.htm>>.*

Intex, Tents n’ Tunnel Playground (#48641), 2001, p. 8-9.

Intex, Ball Toyz Funhouse (#48654), 2001, p. 4-5.

Intex, Ball Toyz Kidz Sub (#48651), 2002, p. 03.

Intex, Ball Toyz Castle (#48655), 2002, p. 04-05.

Intex, Kiddie Castle Play Center (#56461), 2004, p. 55.

Intex, Sun Shade Pool (#56741), 2004, p. 56.

Intex, Baby Floats, 2005, p. 21.

Intex, Beachcomber Fun Island (#58290), 2005, p. 38.

Intex, Butterfly Baby Pool (#57405), 2005, p. 42.

Intex, Shady Beach Baby Pool (#57406), 2006, p. 43.

Intex, Mushroom Baby Pool (#57407), 2007, p. 45.

Intex, Ocean Reef Shade Pool (#57493/E), 2007, p. 57.

Intex, Floating Fortress Lounge (#58829/E), 2008, p. 40.

Intex, Floating Cabana (#58824/E), 2008, p. 43.

Intex, Jungle Hideaway Baby Pool (#57408), 2008, p. 45.

Intex, Jungle Flower Baby Pool (#57419NP/EP), 2010, p. 45.

Intex, Froggy Fun Baby Pool (#57416NP/EP), 2010, p. 46.

Intex, Sunshade Rectangular Baby Pool (#57423NP/EP), 2011, p. 55.

Intex, Countryside Play Center (#57421NP/EP), 2011, p. 64.

Intex, Jump-O-Lene™ Castle Bouncer (#48259NP/EP), 2011, p. 100.

Intex, Tunnel Playland (#48643NP/EP), 2011, p. 101.

Intex, Lil’ Star Shade Baby Pool (#57428) and Lil’ Captain Baby Pool (#57426), 2013, p. 65.

Intex, Baby Floats, 2013, p. 32-33.

Intex, Puppy Love Pool (#57429NP/EP), 2013, p. 67.

Intex, Ball Toyz See-Thru Submarine Playhouse (#48644NP/EP), 2014, p. 130-131.

Intex, Tropical Shade Float (#56577NP), 2009, p. 21.

* cited by examiner

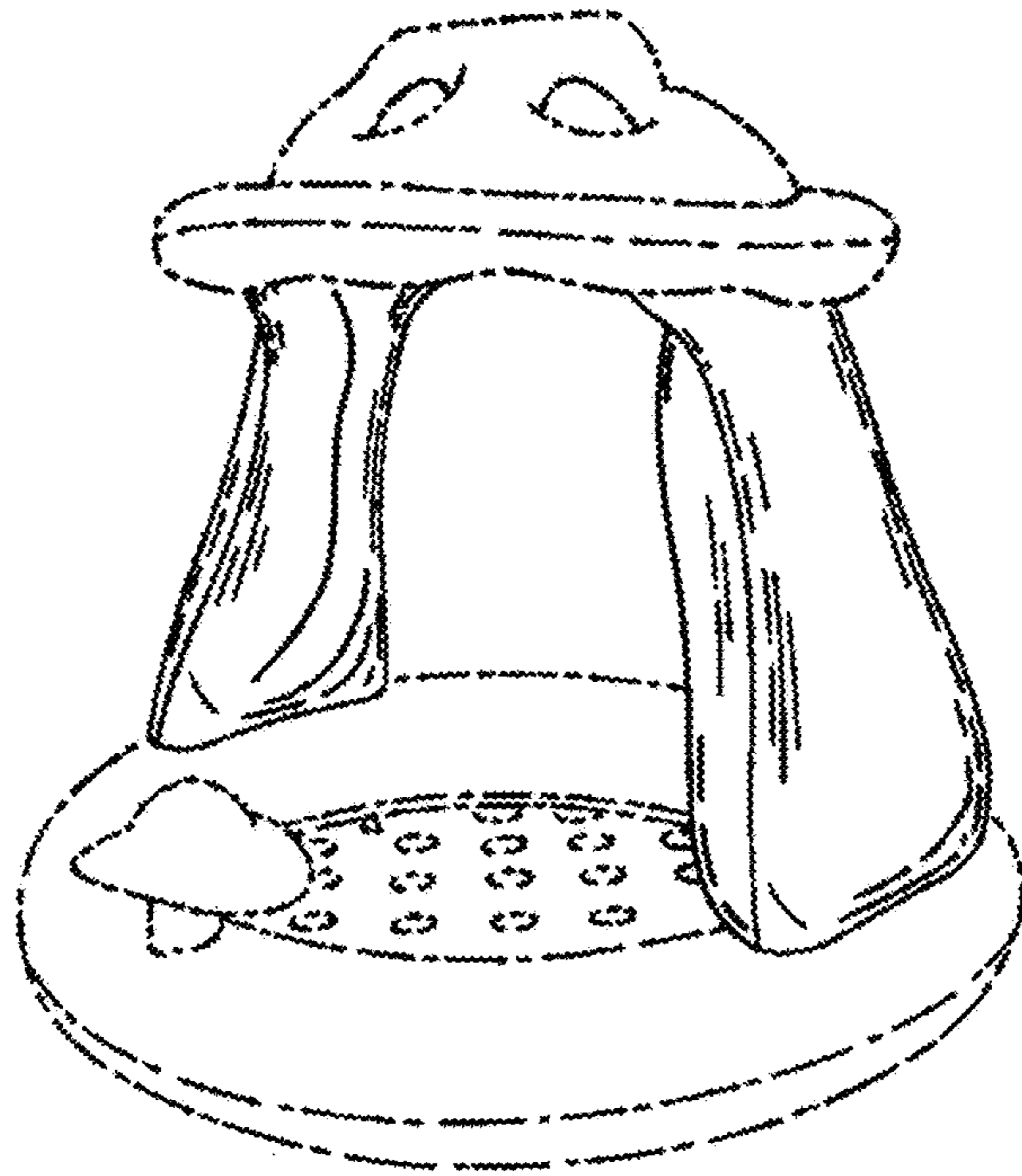


FIG. 1

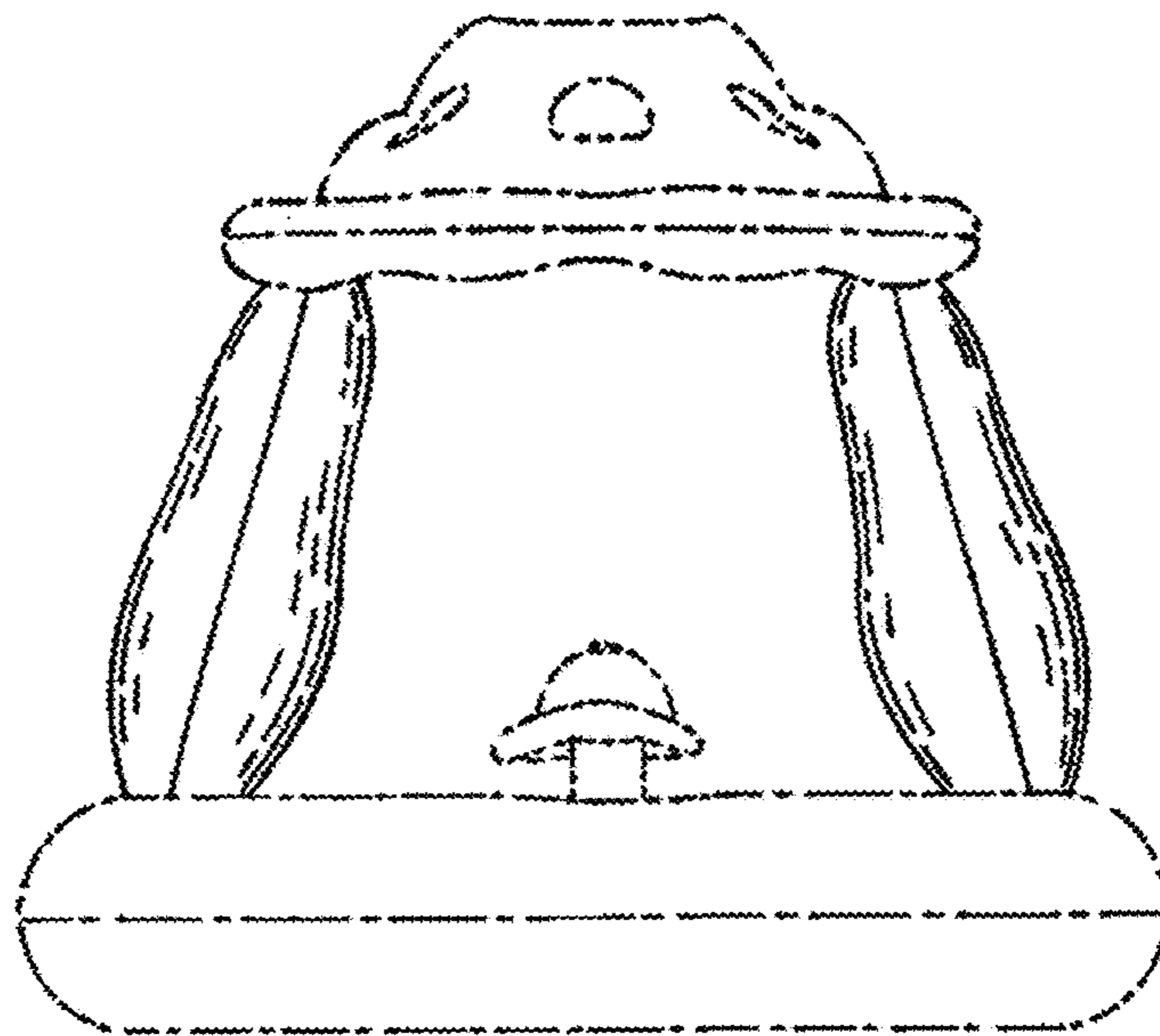


FIG. 2

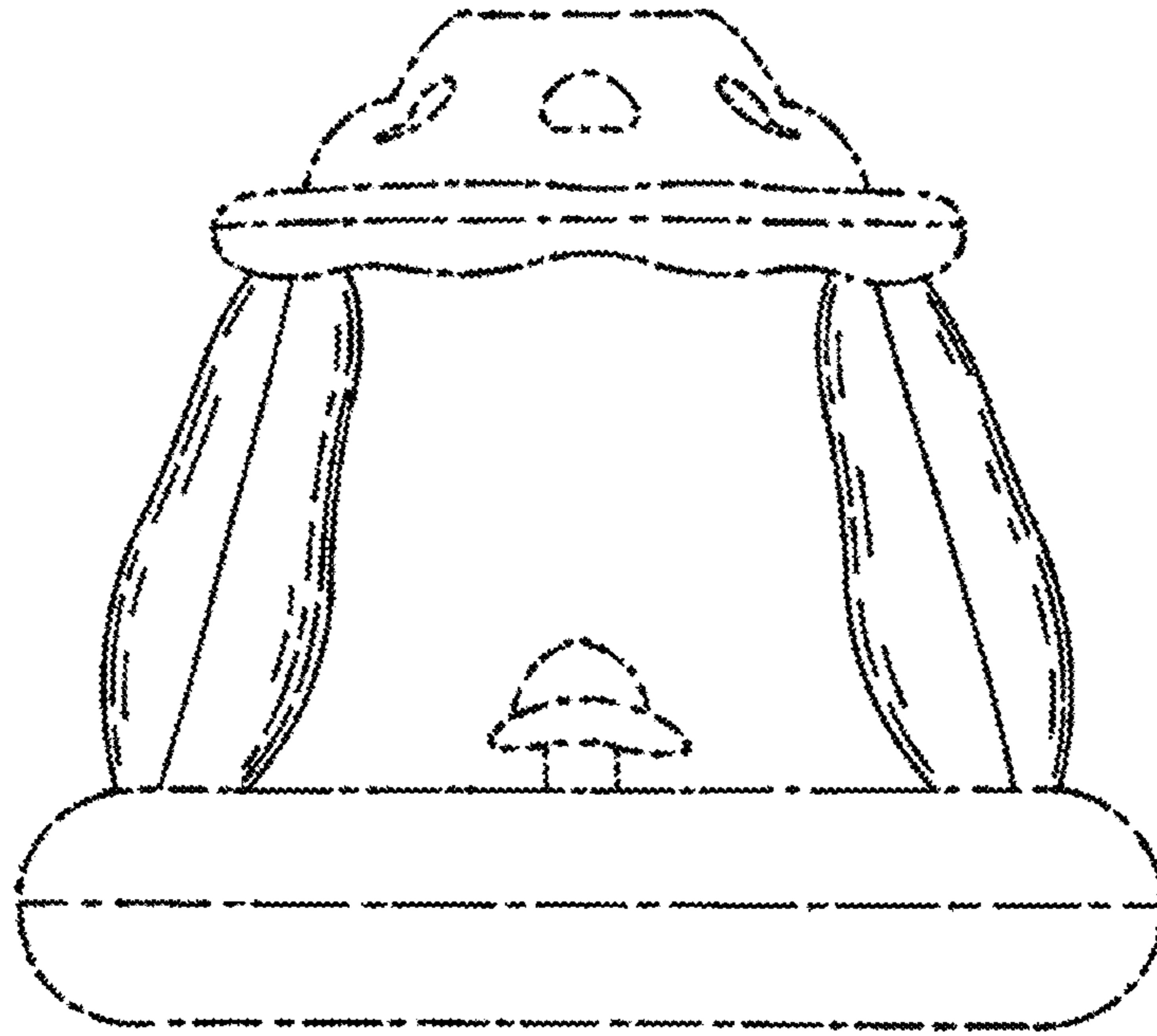


FIG. 3

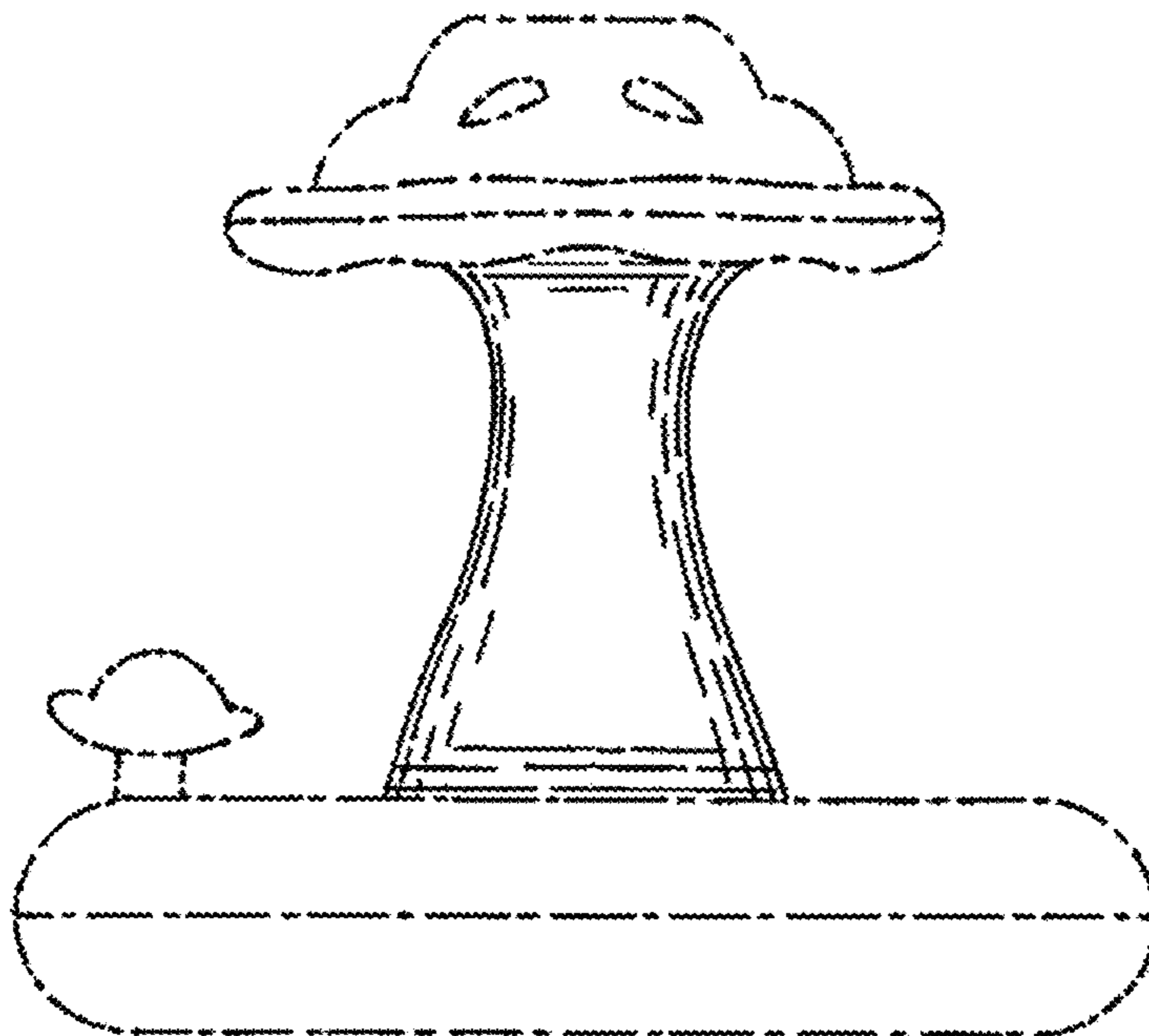


FIG. 4

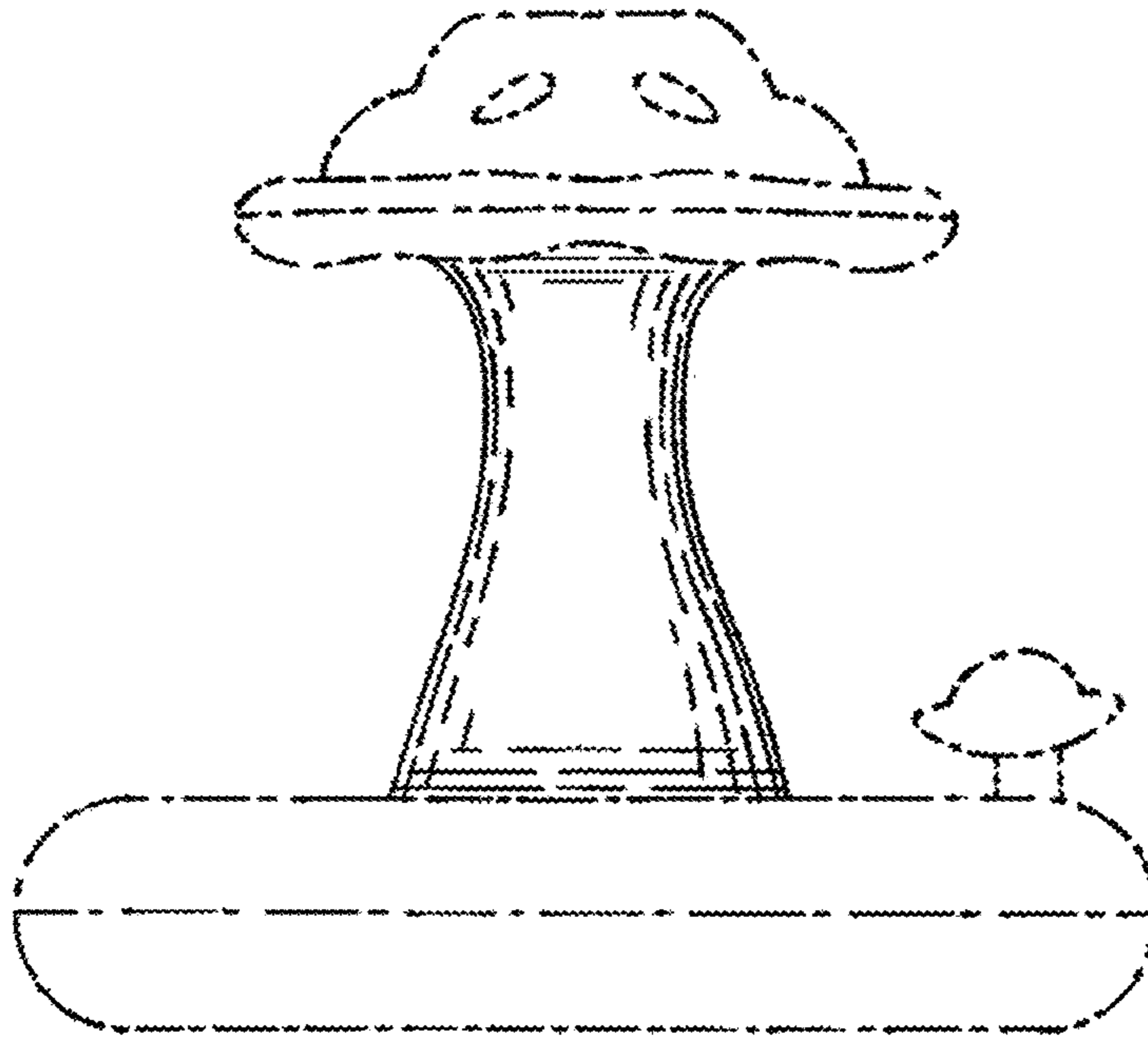


FIG. 5

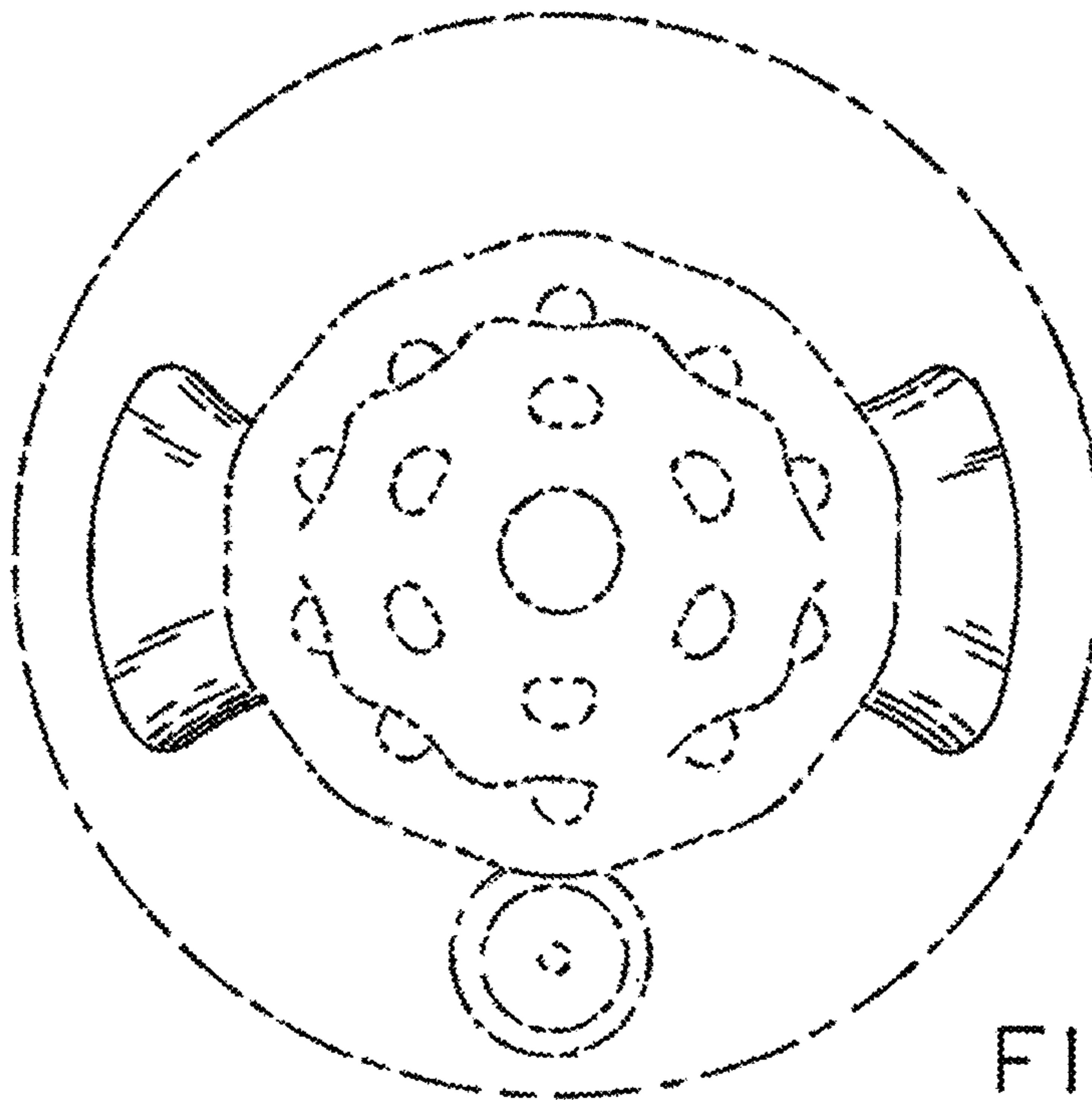


FIG. 6

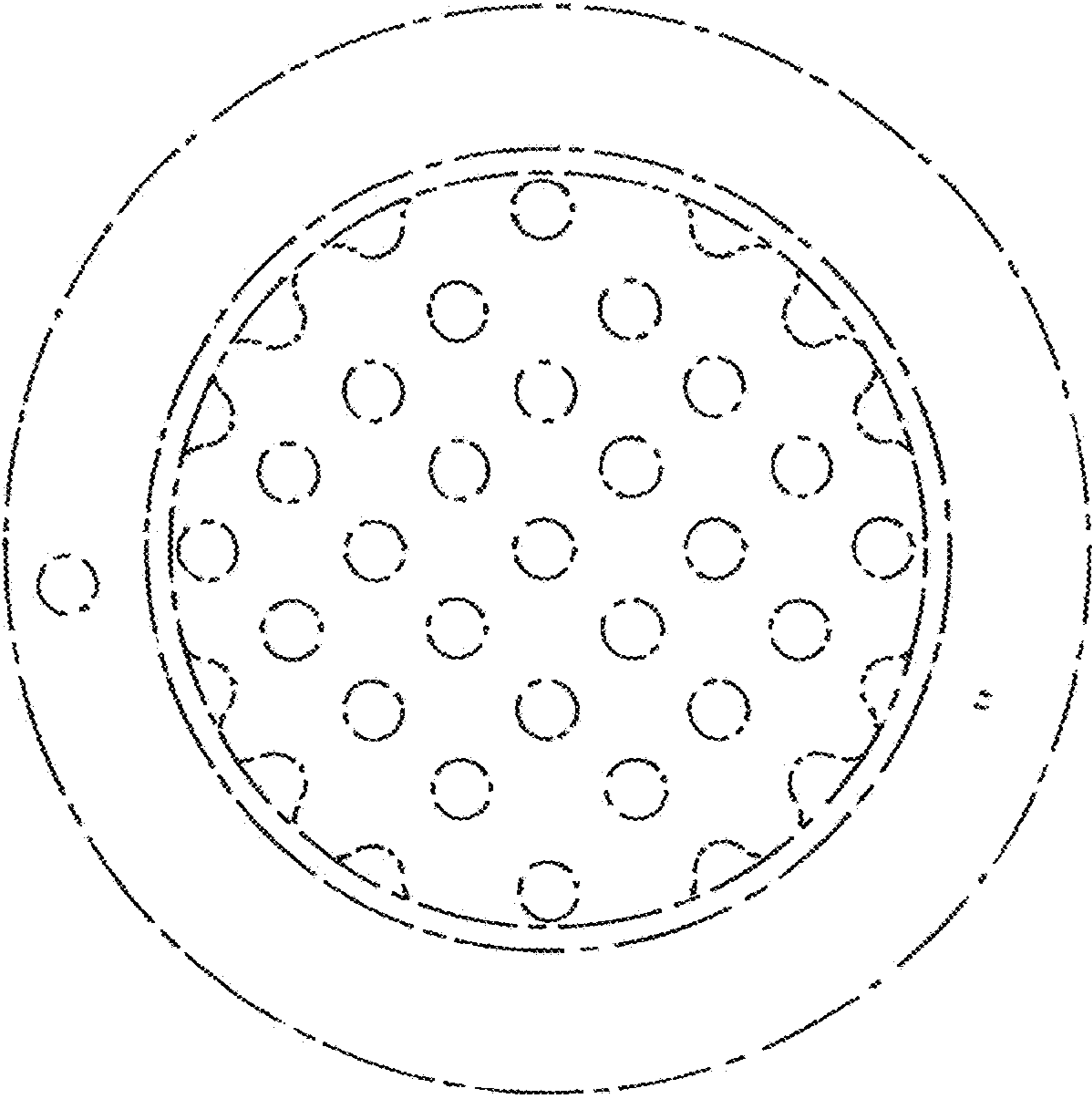


FIG. 7