

US00D810218S

(12) **United States Design Patent**
Huang

(10) **Patent No.:** **US D810,218 S**
(45) **Date of Patent:** **** Feb. 13, 2018**

(54) **ELECTRICAL SKATEBOARD**
(71) Applicant: **KINPO ELECTRONICS, INC.**, New Taipei (TW)
(72) Inventor: **Cheng-Hong Huang**, New Taipei (TW)
(73) Assignee: **KINPO ELECTRONICS, INC.**, New Taipei (TW)
(**) Term: **15 Years**

(21) Appl. No.: **29/599,117**
(22) Filed: **Mar. 31, 2017**
(51) **LOC (11) Cl.** **21-02**
(52) **U.S. Cl.**
USPC **D21/765; D21/760**
(58) **Field of Classification Search**
USPC D21/419, 421, 423, 426, 662, 760, 765, D21/766, 769, 771, 776, 803; D12/1; D34/23, 28
CPC A63C 17/01; A63C 17/011; A63C 17/012; A63C 17/014; A63C 17/015; A63C 17/02; A63C 17/26; A63C 5/003; B60Q 1/326; B62K 3/001
See application file for complete search history.

(56) **References Cited**
U.S. PATENT DOCUMENTS
D255,258 S * 6/1980 Lukes D21/765
D258,169 S * 2/1981 Lukes D21/550
D505,470 S * 5/2005 Hong A63C 17/12
D21/765

D633,584 S * 3/2011 Hong A63C 17/12
D21/765
8,459,670 B1 * 6/2013 Tizzone A63C 17/015
280/87.042
D704,786 S * 5/2014 Tang D21/765
9,504,901 B1 * 11/2016 Lu A63C 17/017

* cited by examiner

Primary Examiner — Cynthia M Chin
(74) *Attorney, Agent, or Firm* — Chun-Ming Shih; HDLS IPR Services

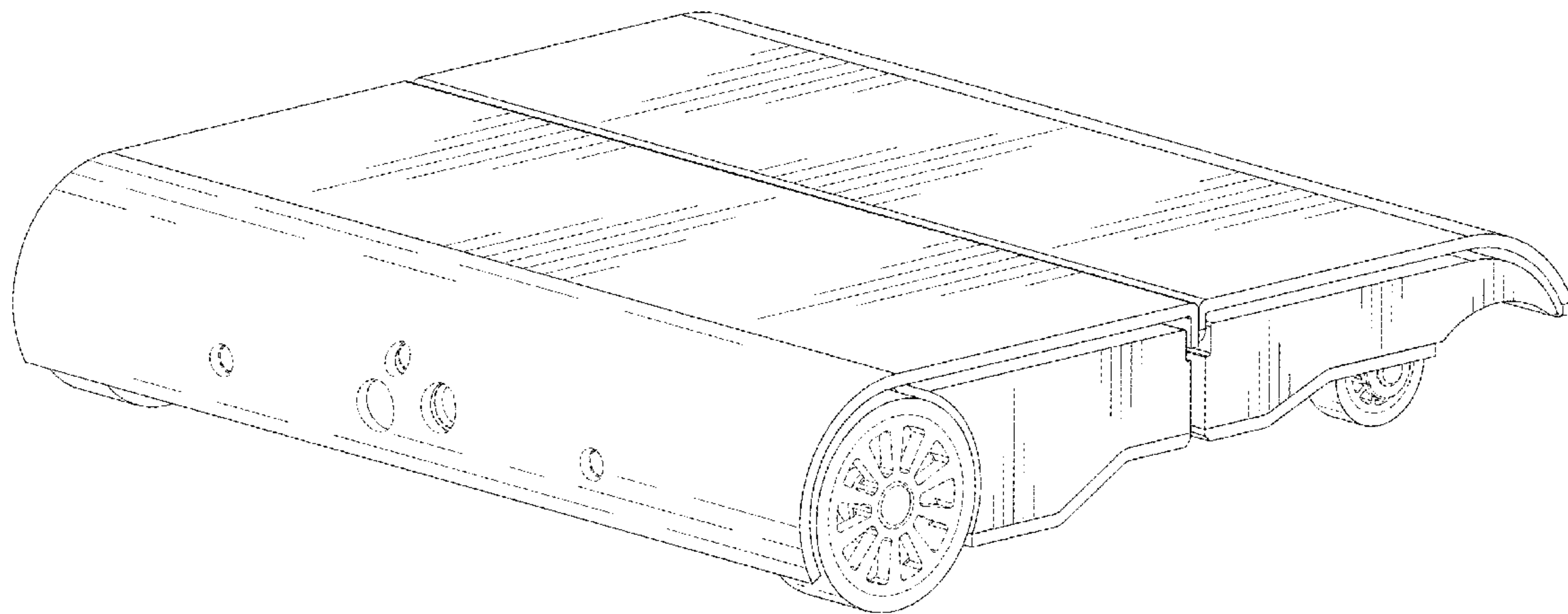
(57) **CLAIM**

The ornamental design for an electrical skateboard, as shown and described.

DESCRIPTION

FIG. 1 is a perspective view of an electrical skateboard showing my new design;
FIG. 2 is a front view thereof;
FIG. 3 is a rear view thereof;
FIG. 4 is a left side view thereof;
FIG. 5 is a right side view thereof;
FIG. 6 is a top view thereof;
FIG. 7 is a bottom view thereof;
FIG. 8 is second perspective view thereof;
FIG. 9 is third perspective view thereof; and,
FIG. 10 is a perspective view showing the electrical skateboard, in a folded position.
The broken lines shown represent unclaimed subject matter and form no part of the claimed design.

1 Claim, 8 Drawing Sheets



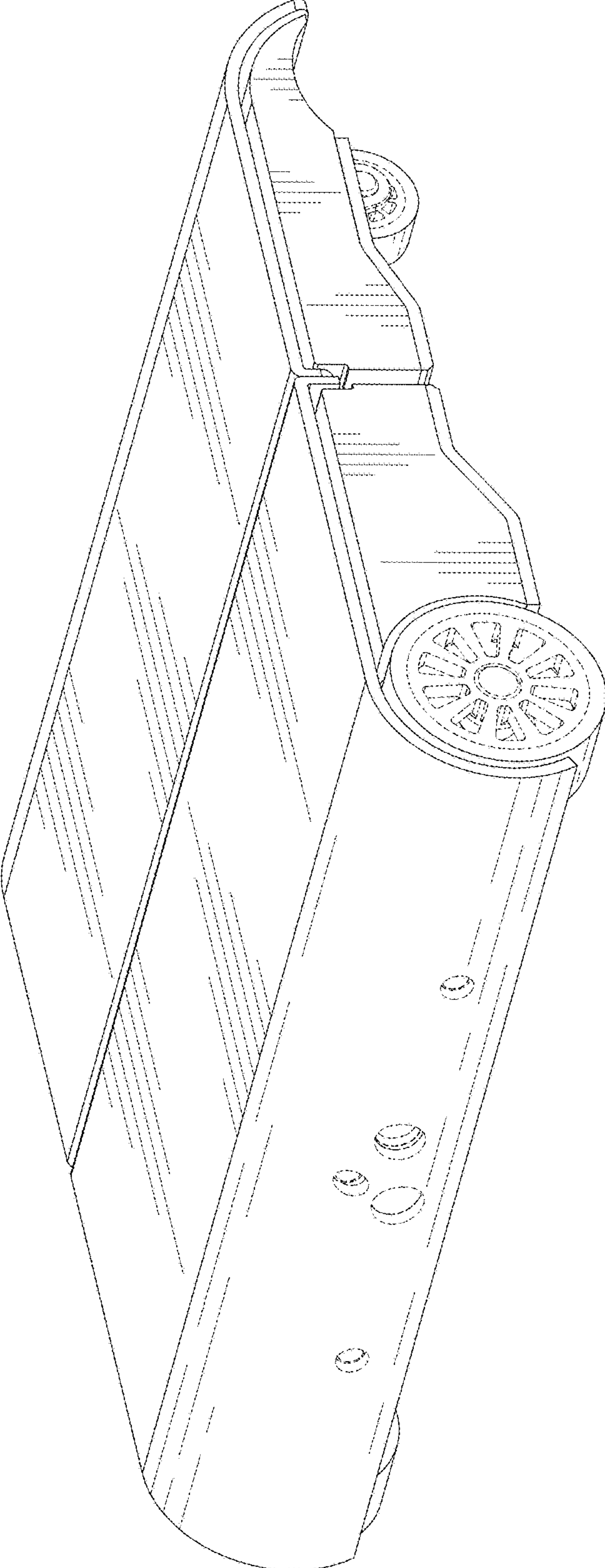


FIG.1

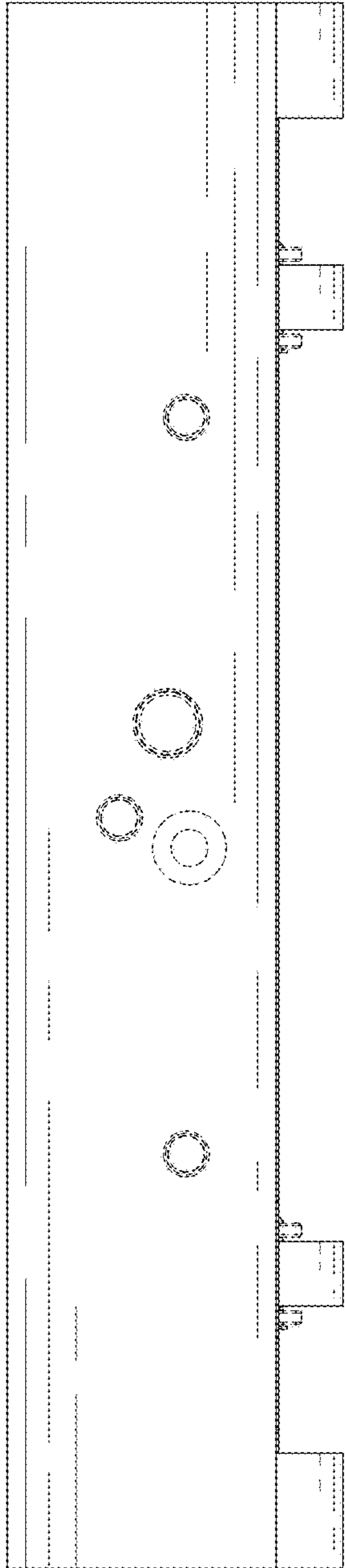


FIG. 2

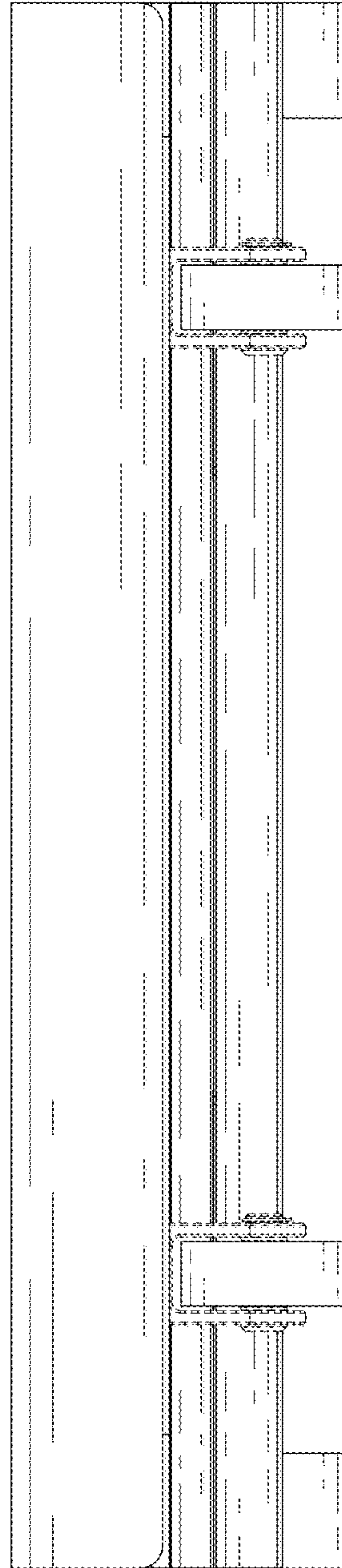


FIG. 3

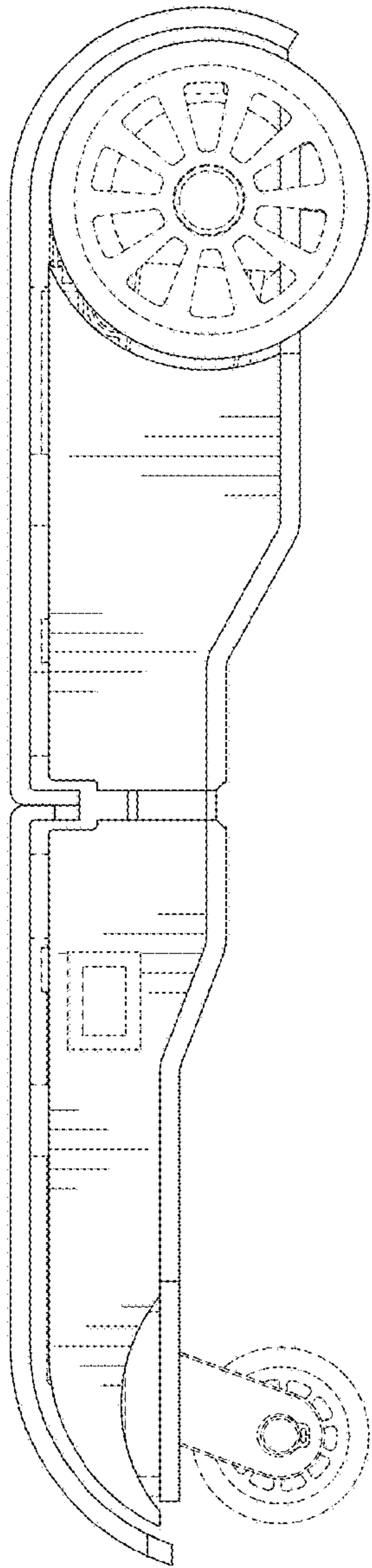


FIG. 4

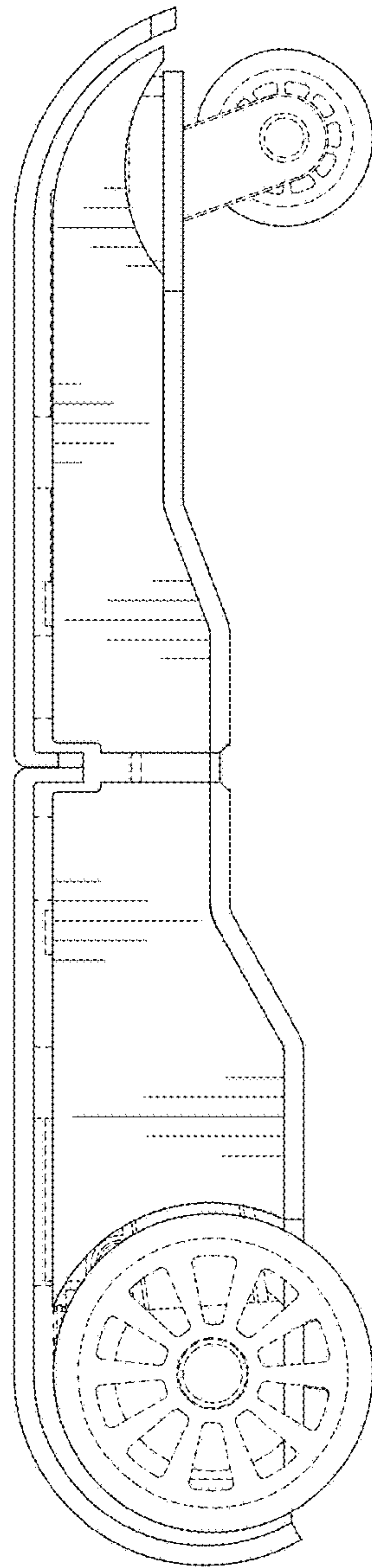


FIG. 5

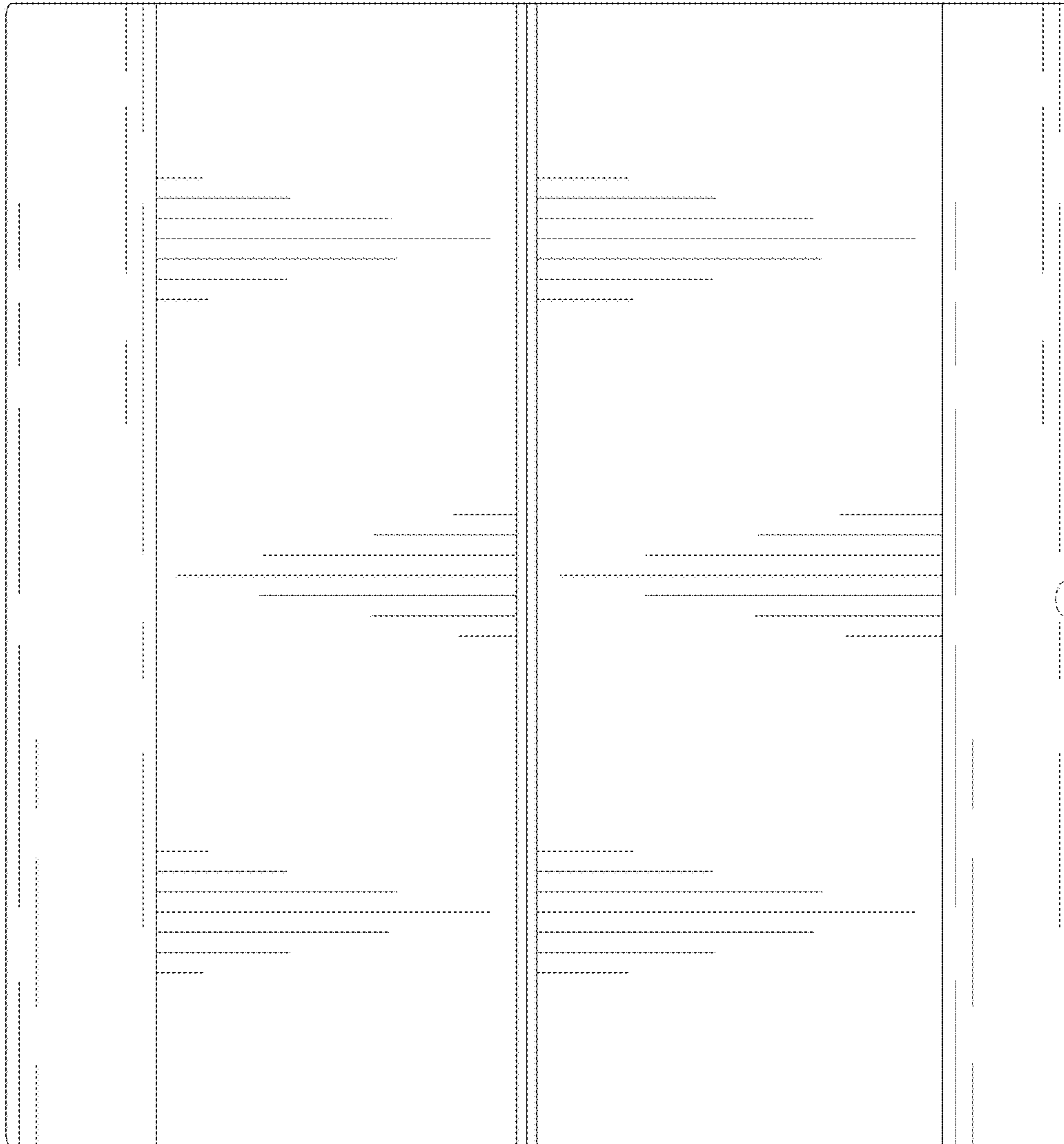


FIG. 6

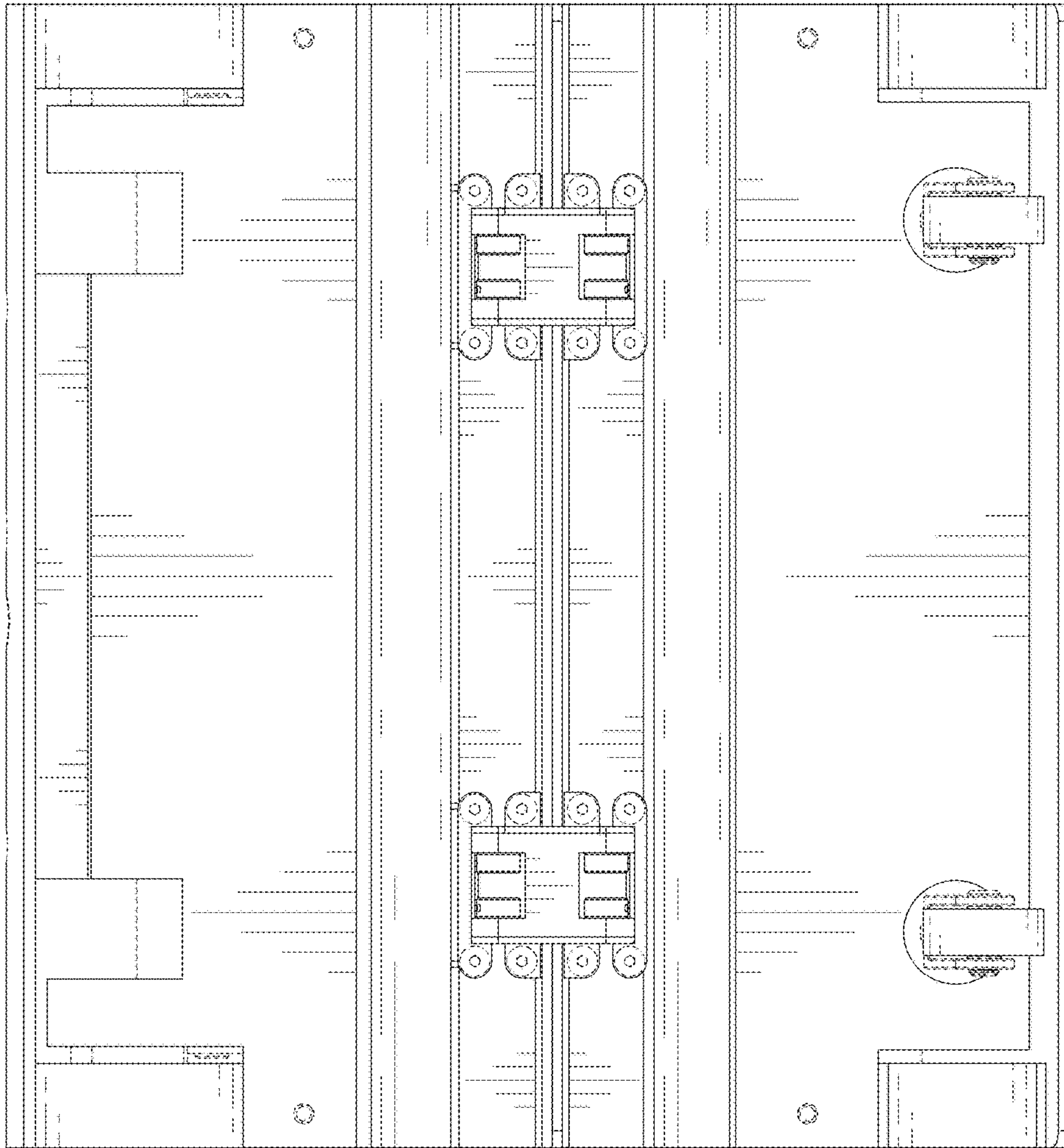


FIG. 7

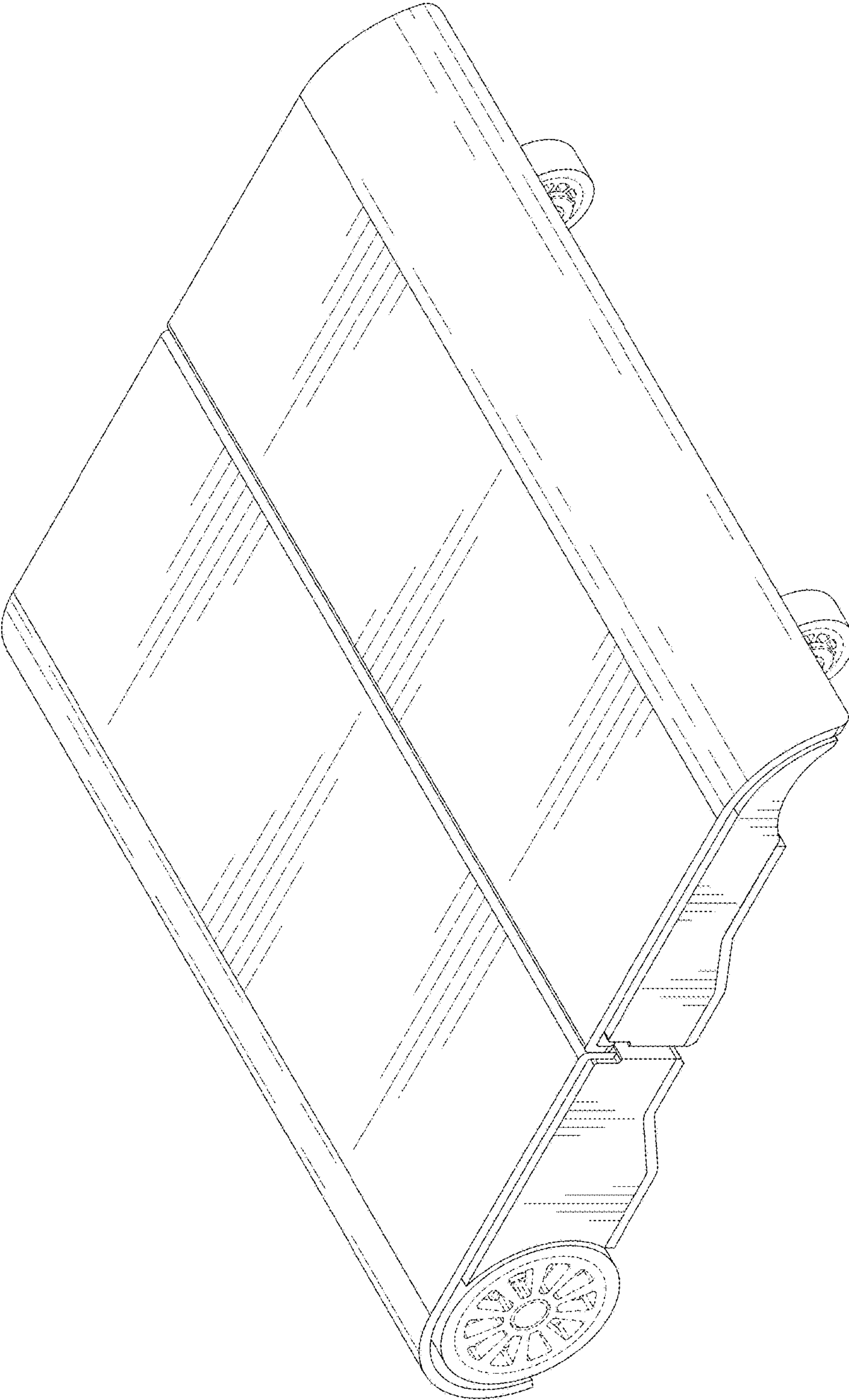


FIG.8

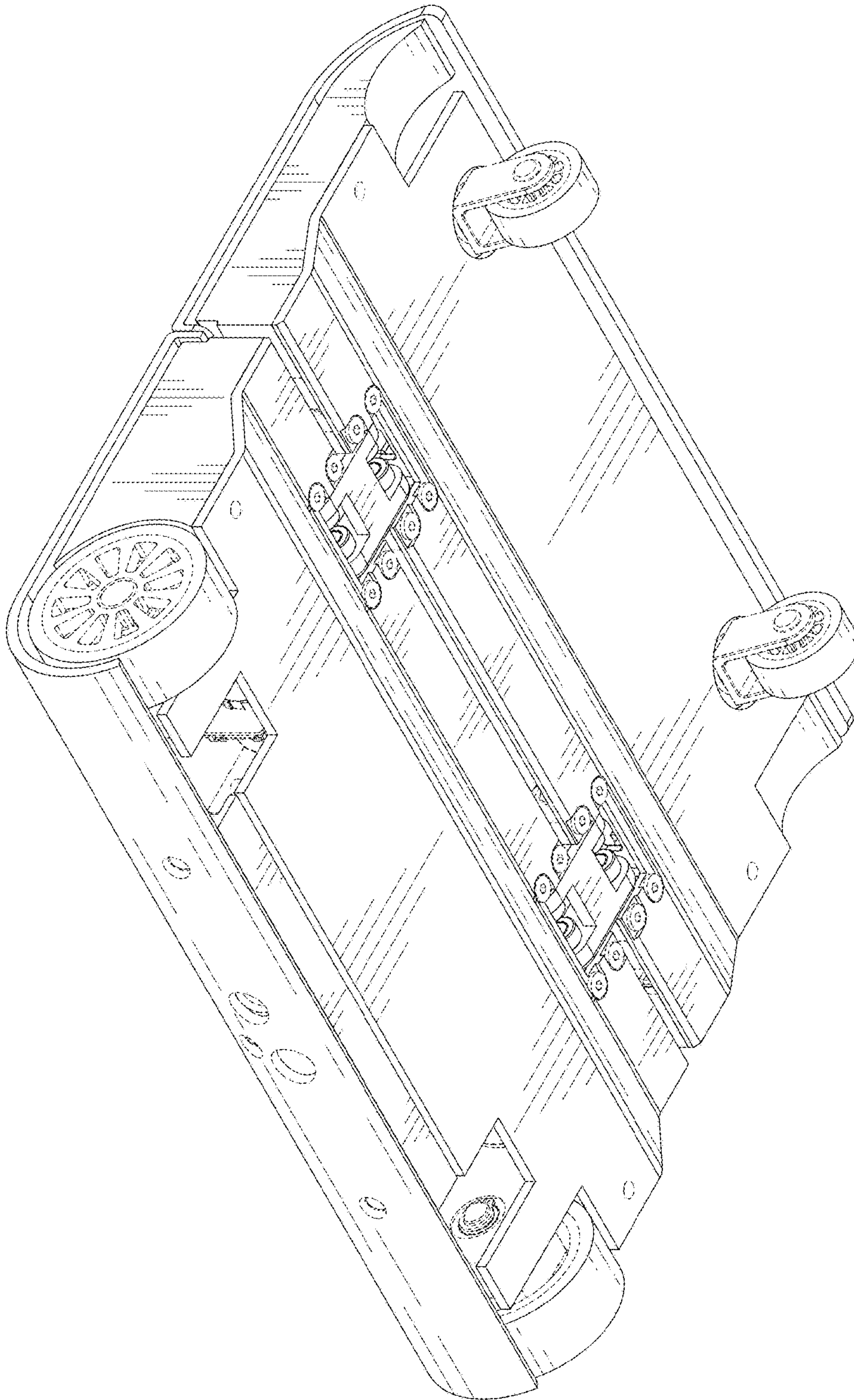


FIG.9

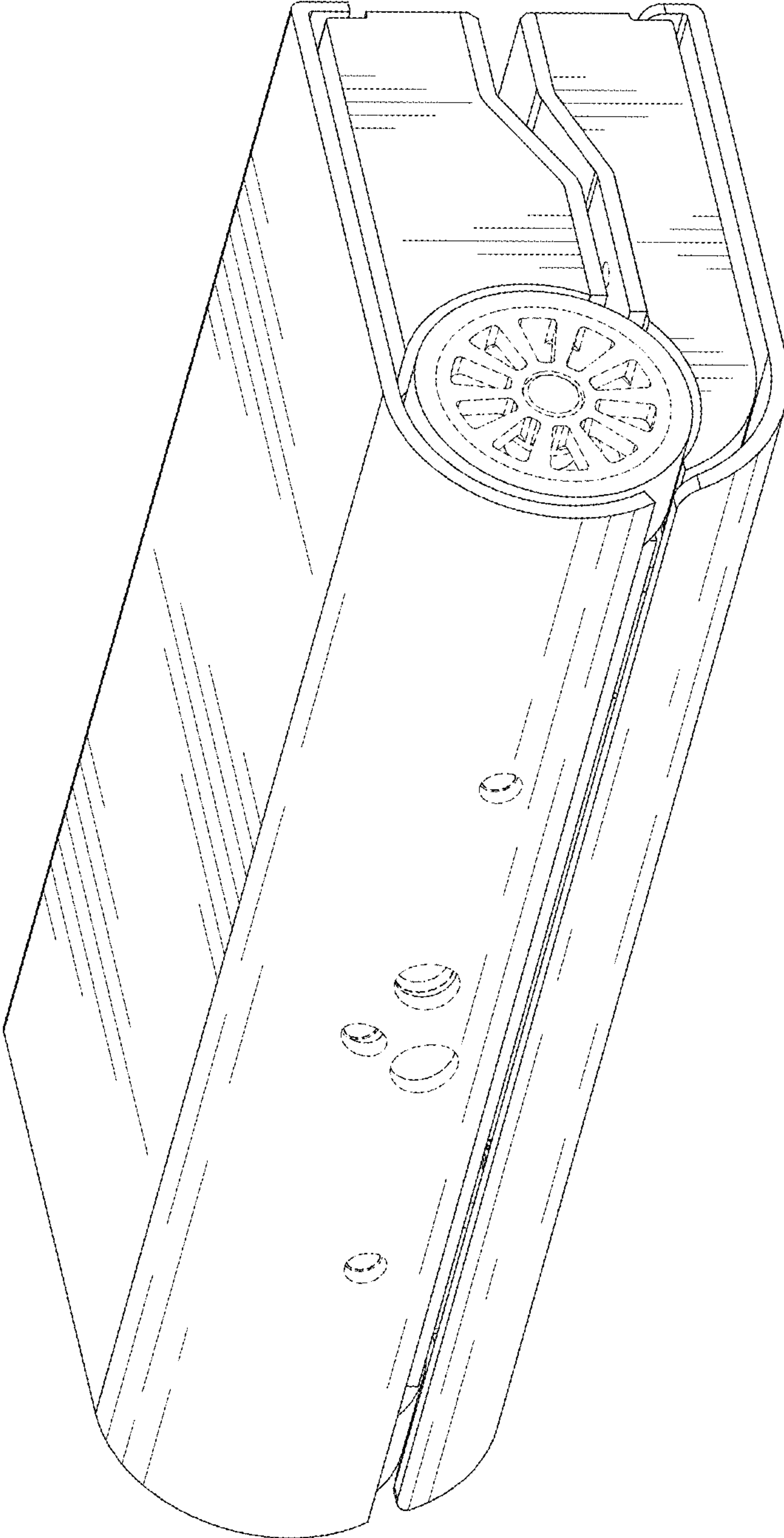


FIG.10