



US00D810212S

(12) **United States Design Patent** (10) **Patent No.:** **US D810,212 S**
Anderson (45) **Date of Patent:** **** Feb. 13, 2018**

(54) **TIGER DOLL**

D593,166 S * 5/2009 Granier D11/158
D685,537 S * 7/2013 Yarbrough D21/576
D750,712 S * 3/2016 Mehta D21/618

(71) Applicant: **Daniel P. Anderson**, N. Tonawanda,
NY (US)

* cited by examiner

(72) Inventor: **Daniel P. Anderson**, N. Tonawanda,
NY (US)

Primary Examiner — Sandra L Morris
(74) *Attorney, Agent, or Firm* — Mitchell Law PLLC;
Matthew W. Mitchell

(**) Term: **15 Years**

(21) Appl. No.: **29/592,628**

(57) **CLAIM**

The ornamental design for a tiger doll, as shown and described.

(22) Filed: **Jan. 31, 2017**

(51) **LOC (11) Cl.** **21-01**

DESCRIPTION

(52) **U.S. Cl.**
USPC **D21/618**

(58) **Field of Classification Search**

USPC D6/598; D11/158, 162; D21/576–595,
D21/617–618; 446/368–369, 376, 428,
446/487; 180/8.6; D30/160
CPC ... A63H 3/00; A63H 3/02; A63H 3/04; A63H
3/16; A63H 3/28; A63H 33/00; A63H
7/06; A63H 11/00; A63H 11/10; A63H
11/20; A63H 13/00
See application file for complete search history.

FIG. 1 is a front perspective view of the tiger doll of the present invention;
FIG. 2 is a front view of the invention of FIG. 1;
FIG. 3 is a rear view of the invention of FIG. 1;
FIG. 4 is a side view of the invention of FIG. 1, as seen from the left side of FIG. 2;
FIG. 5 is a side view of the invention of FIG. 1, as seen from the right side of FIG. 2;
FIG. 6 is a top plan view of the invention of FIG. 1; and,
FIG. 7 is a bottom plan view of the invention of FIG. 1.
The stippling on the ball and on the right paw represent corresponding hook-and-loop fastening. The stippling on the stripes represent contrasting color with substantially all of the body of the tiger doll. The remainder of the stippling shown in the drawings are intended to represent the approximate three-dimensional contours of the design, and are not intended to indicate any particular color, material, texture or finish.

(56) **References Cited**

U.S. PATENT DOCUMENTS

D308,557 S * 6/1990 Reese D21/617
D316,434 S * 4/1991 Stephensen D21/618
D348,372 S * 7/1994 Keller D21/618
D356,354 S * 3/1995 Killion D30/160
D408,195 S * 4/1999 Bear D21/617
D522,788 S * 6/2006 Keller D6/598

1 Claim, 6 Drawing Sheets





FIG. 1



FIG. 2

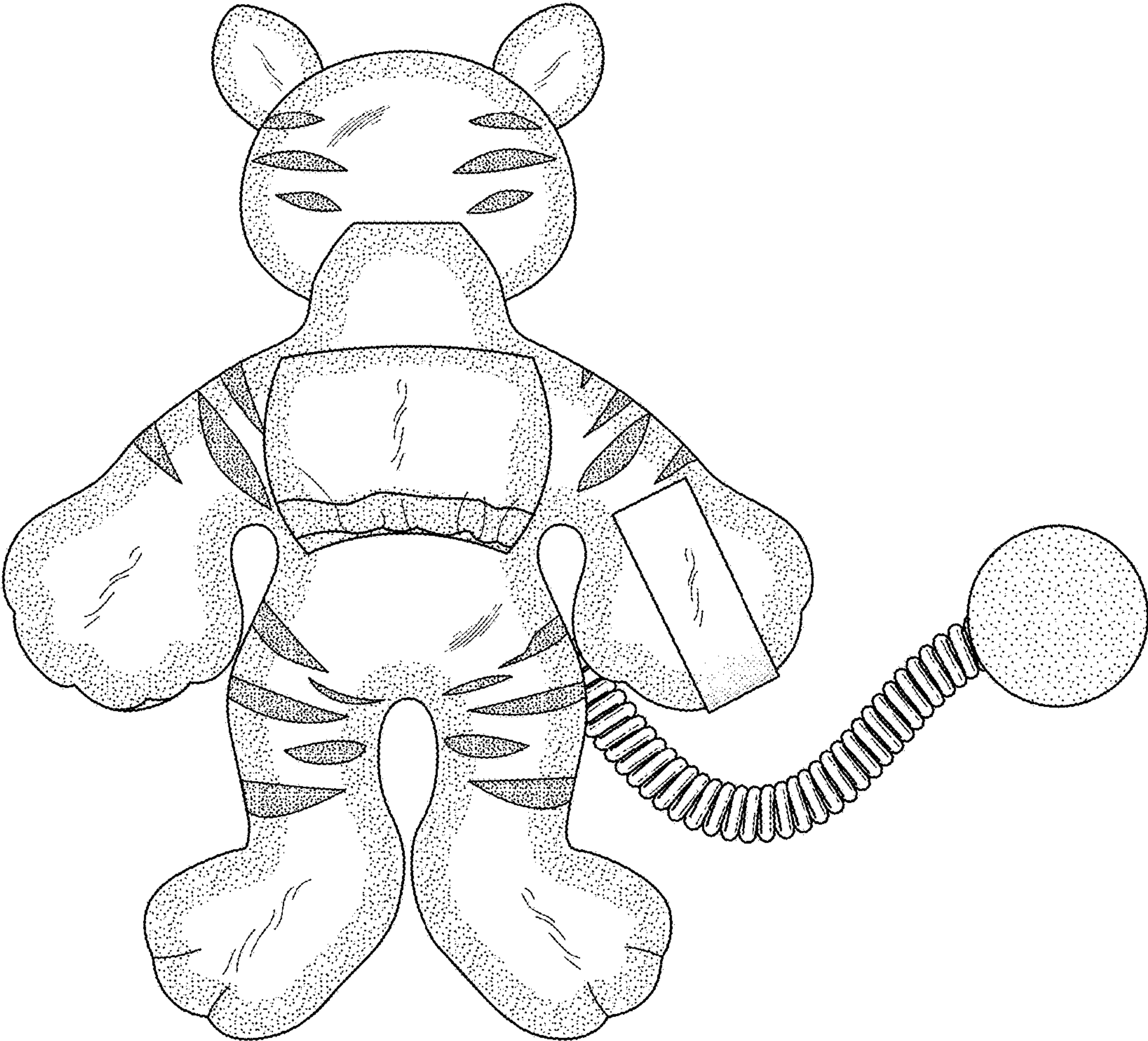


FIG. 3

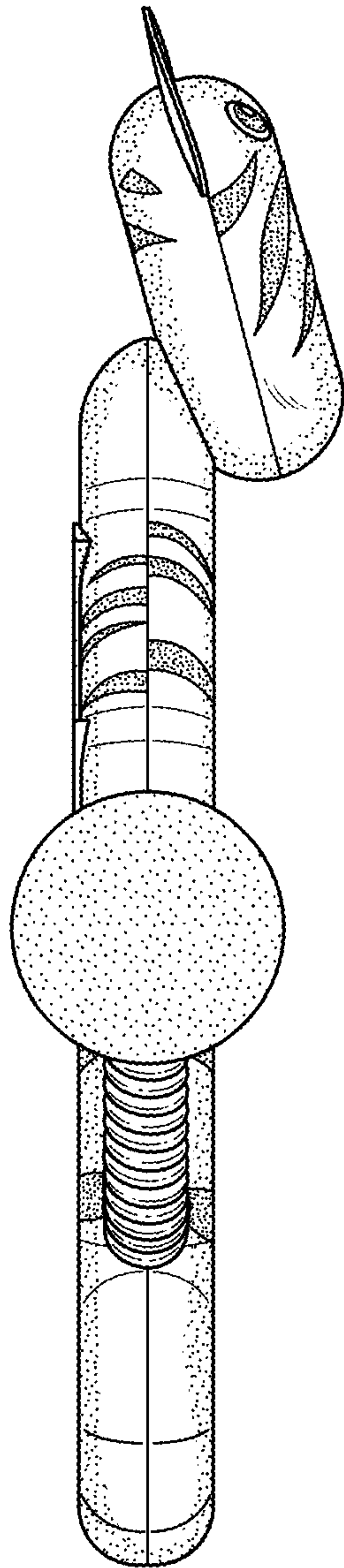


FIG. 4

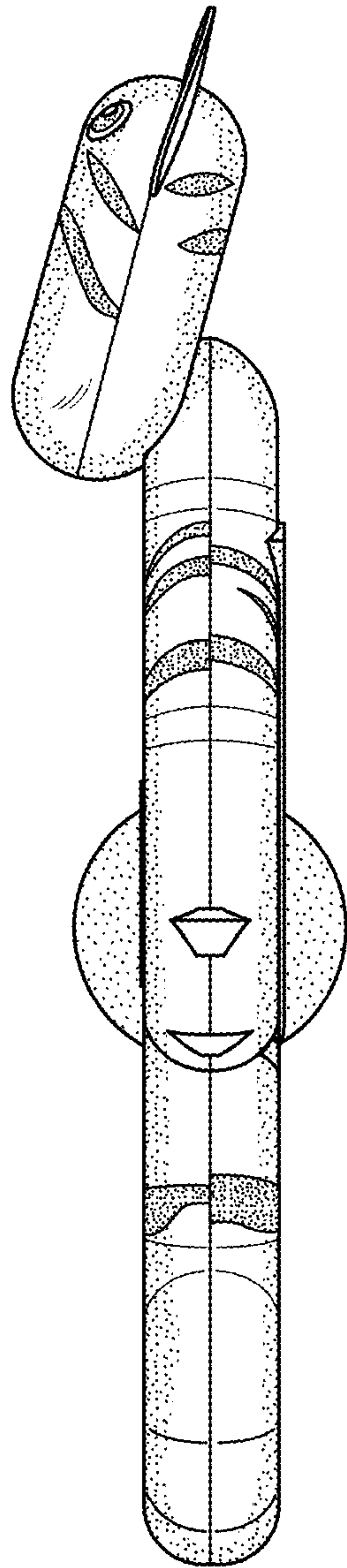


FIG. 5

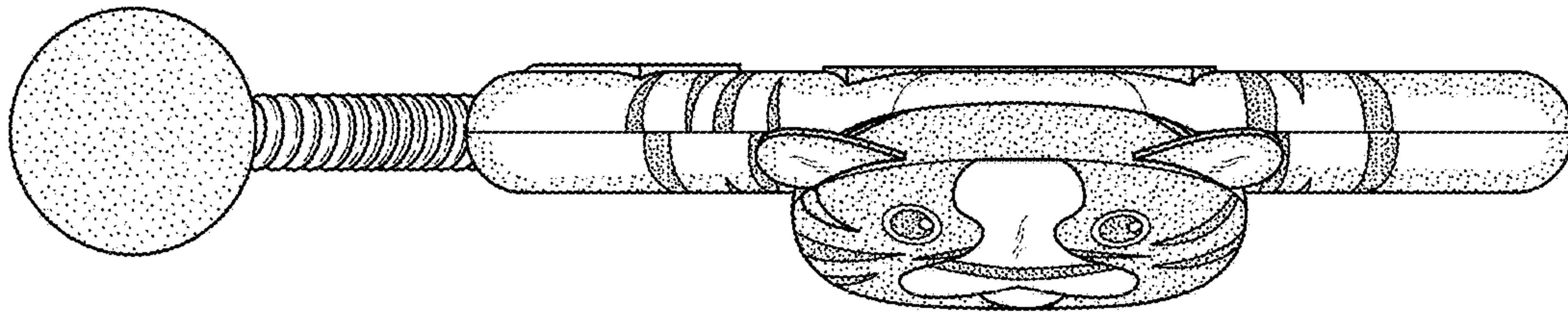


FIG. 6

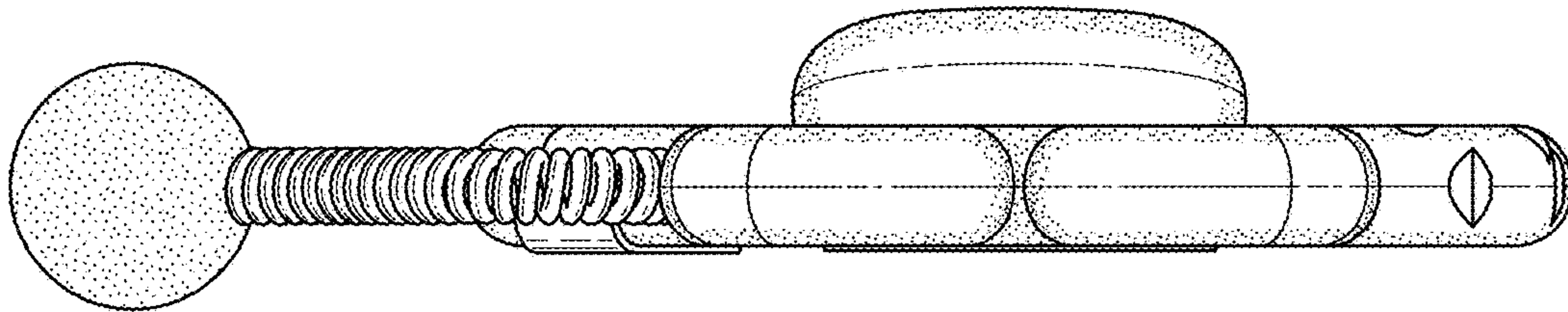


FIG. 7