



US00D810211S

(12) **United States Design Patent**
Stuart-Cross

(10) **Patent No.:** **US D810,211 S**

(45) **Date of Patent:** **** Feb. 13, 2018**

(54) **GAMING ROBOT**

D667,512 S * 9/2012 Mimplitch, III D21/578
D697,104 S * 1/2014 Dye D15/199
8,657,042 B2 * 2/2014 Mantzel A63H 11/20
180/8.6

(71) Applicant: **Reach Robotics Limited**, Bristol (GB)

(72) Inventor: **Daniel Stuart-Cross**, Bristol (GB)

* cited by examiner

(73) Assignee: **Reach Robotics Limited**, Bristol (GB)

Primary Examiner — Sandra L Morris

(**) Term: **15 Years**

(74) *Attorney, Agent, or Firm* — EIP US LLP

(21) Appl. No.: **29/576,980**

(57) **CLAIM**

(22) Filed: **Sep. 8, 2016**

The ornamental design of a gaming robot, substantially as shown and described.

(51) **LOC (11) Cl.** **21-01**

(52) **U.S. Cl.**

DESCRIPTION

USPC **D21/576**

(58) **Field of Classification Search**

USPC D6/598; D11/158, 162; D21/576–595,
D21/650, 533, 567; 446/368–369, 376,
446/428, 487; 180/8.6; D15/199
CPC ... A63H 3/00; A63H 3/02; A63H 3/04; A63H
3/16; A63H 3/28; A63H 33/00; A63H
7/06; A63H 11/00; A63H 11/10; A63H
11/20; A63H 13/00

See application file for complete search history.

FIG. 1 is a top perspective view of a gaming robot configured in accordance with a first embodiment of the present invention;

FIG. 2 is a bottom perspective view thereof;

FIG. 3 is a top plan view thereof;

FIG. 4 is a bottom plan view thereof;

FIG. 5 is a front view thereof;

FIG. 6 is a rear view thereof;

FIG. 7 is a right side view thereof;

FIG. 8 is a left side view thereof;

FIG. 9 is a perspective view of a gaming robot configured in accordance with a second embodiment of the present invention;

FIG. 10 is a bottom perspective view thereof;

FIG. 11 is a top plan view thereof;

FIG. 12 is a bottom plan view thereof;

FIG. 13 is a front view thereof;

FIG. 14 is a rear view thereof;

FIG. 15 is a right side view thereof; and,

FIG. 16 is a left side view thereof.

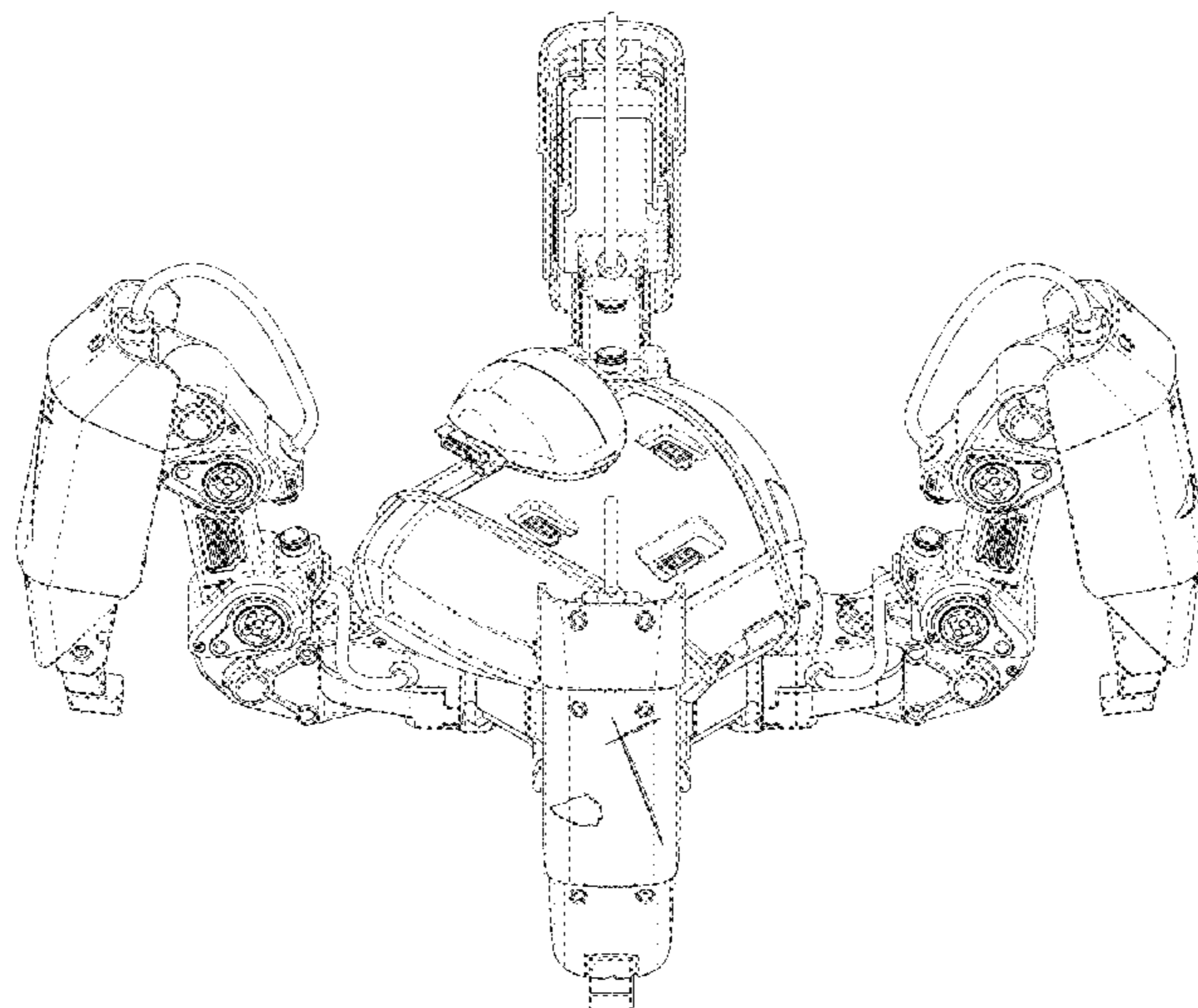
The broken lines in FIGS. 9-16 are for the purpose of illustrating portions of the article in which the design is embodied, and form no part of this embodiment of the claimed design.

(56) **References Cited**

U.S. PATENT DOCUMENTS

D266,777 S * 11/1982 Lucas, Jr. D21/585
D268,942 S * 5/1983 Lucas, Jr. D21/578
4,527,650 A * 7/1985 Bartholet B62D 57/032
180/8.6
5,685,383 A * 11/1997 Ferrante B62D 57/032
180/8.6
5,842,533 A * 12/1998 Takeuchi B62D 57/02
180/8.6
D421,634 S * 3/2000 Kageyama D21/584
D461,855 S * 8/2002 Ewert D21/533
D512,086 S * 11/2005 Dirks D15/199
D576,217 S * 9/2008 Pasko D21/533
7,734,375 B2 * 6/2010 Buehler B25J 9/102
273/440.1

1 Claim, 16 Drawing Sheets



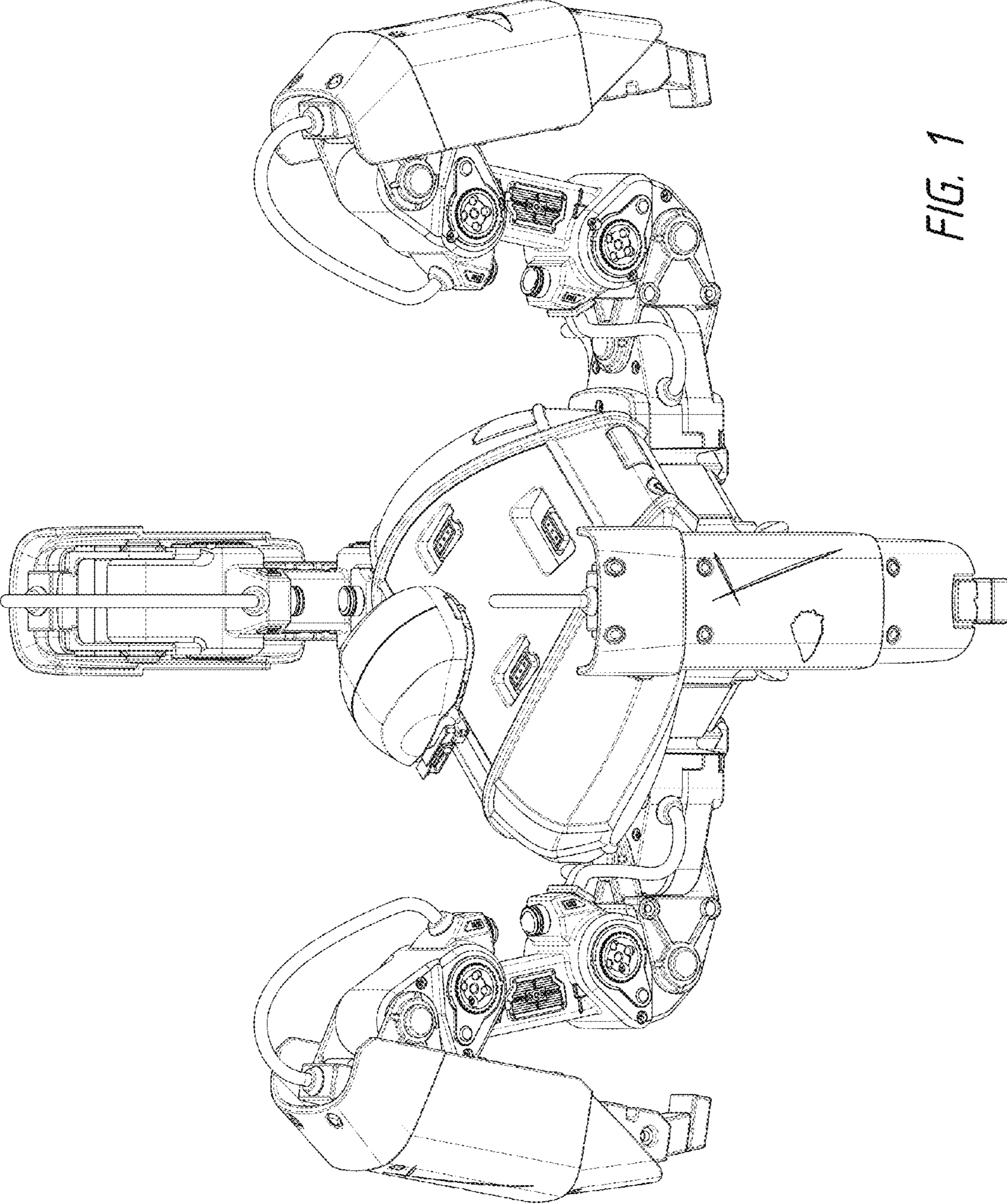


FIG. 1

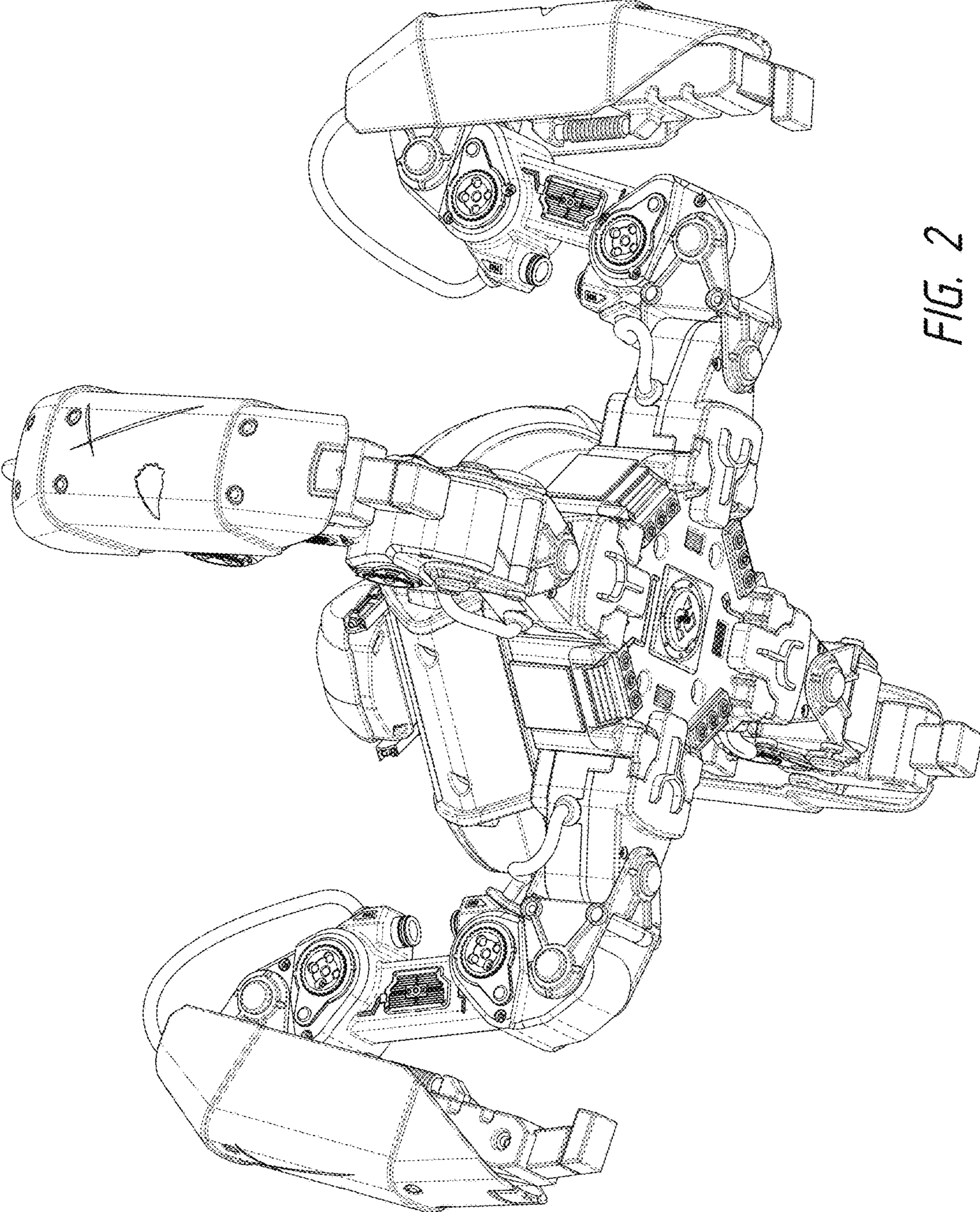


FIG. 2

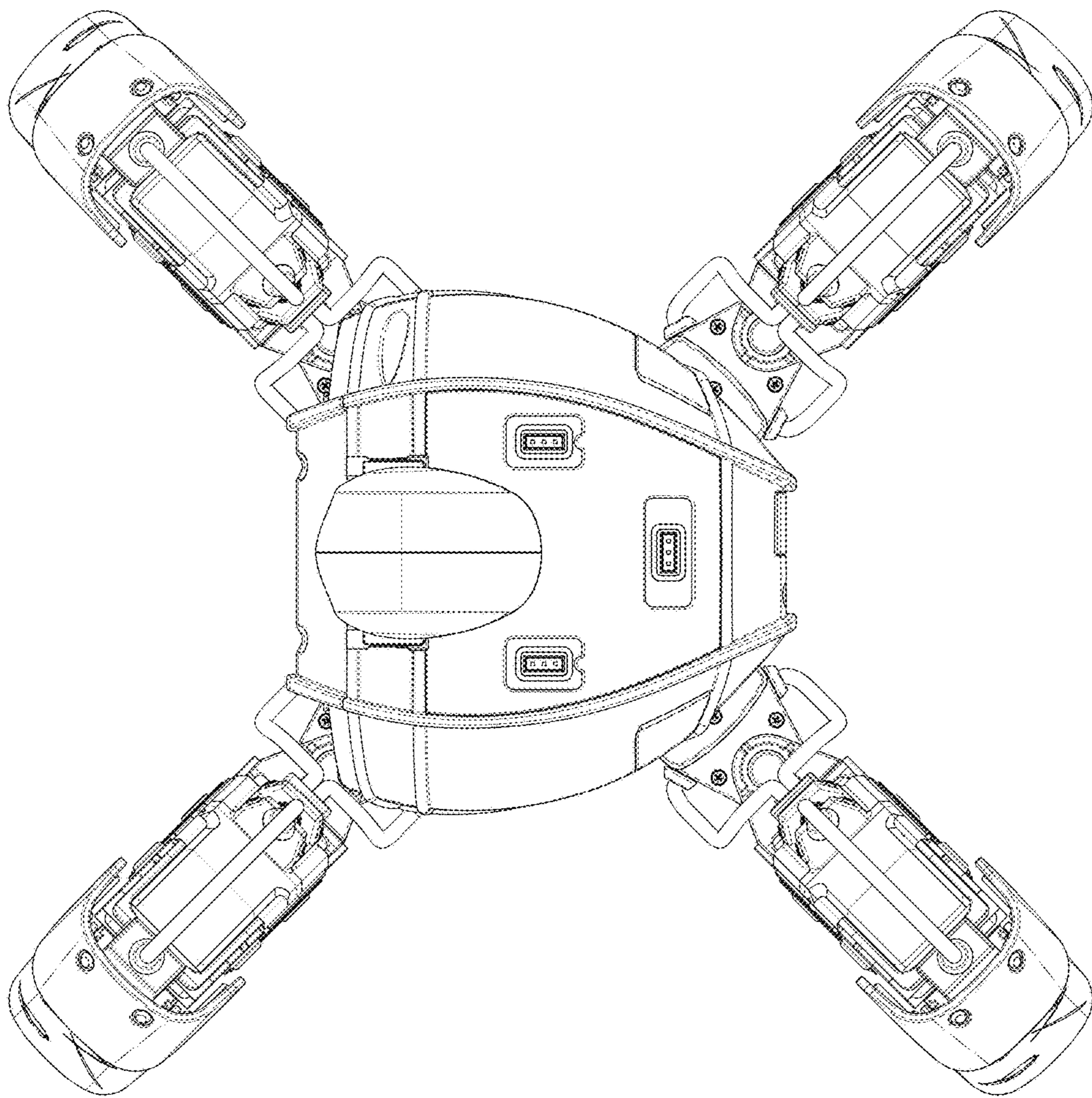


FIG. 3

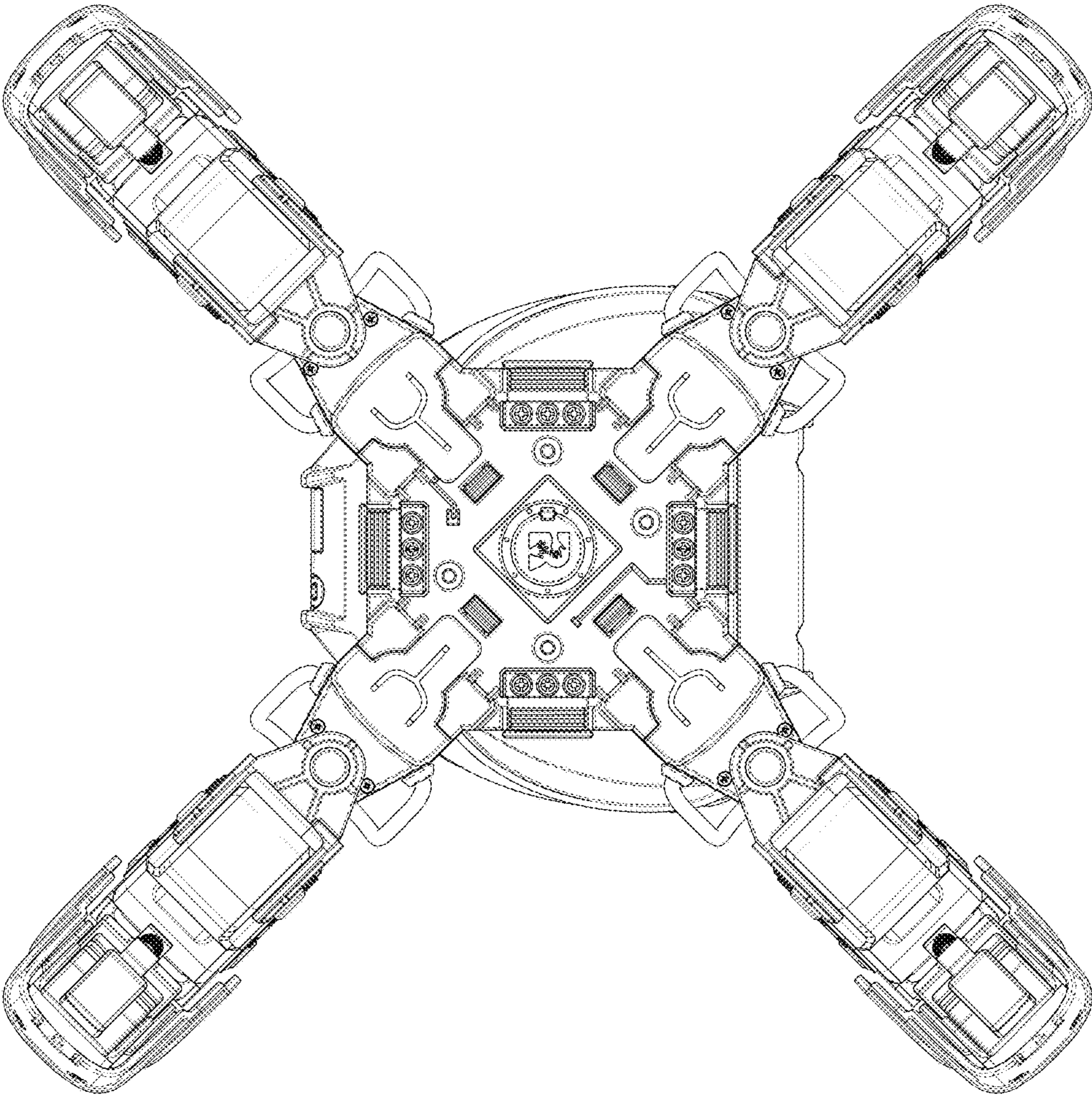


FIG. 4

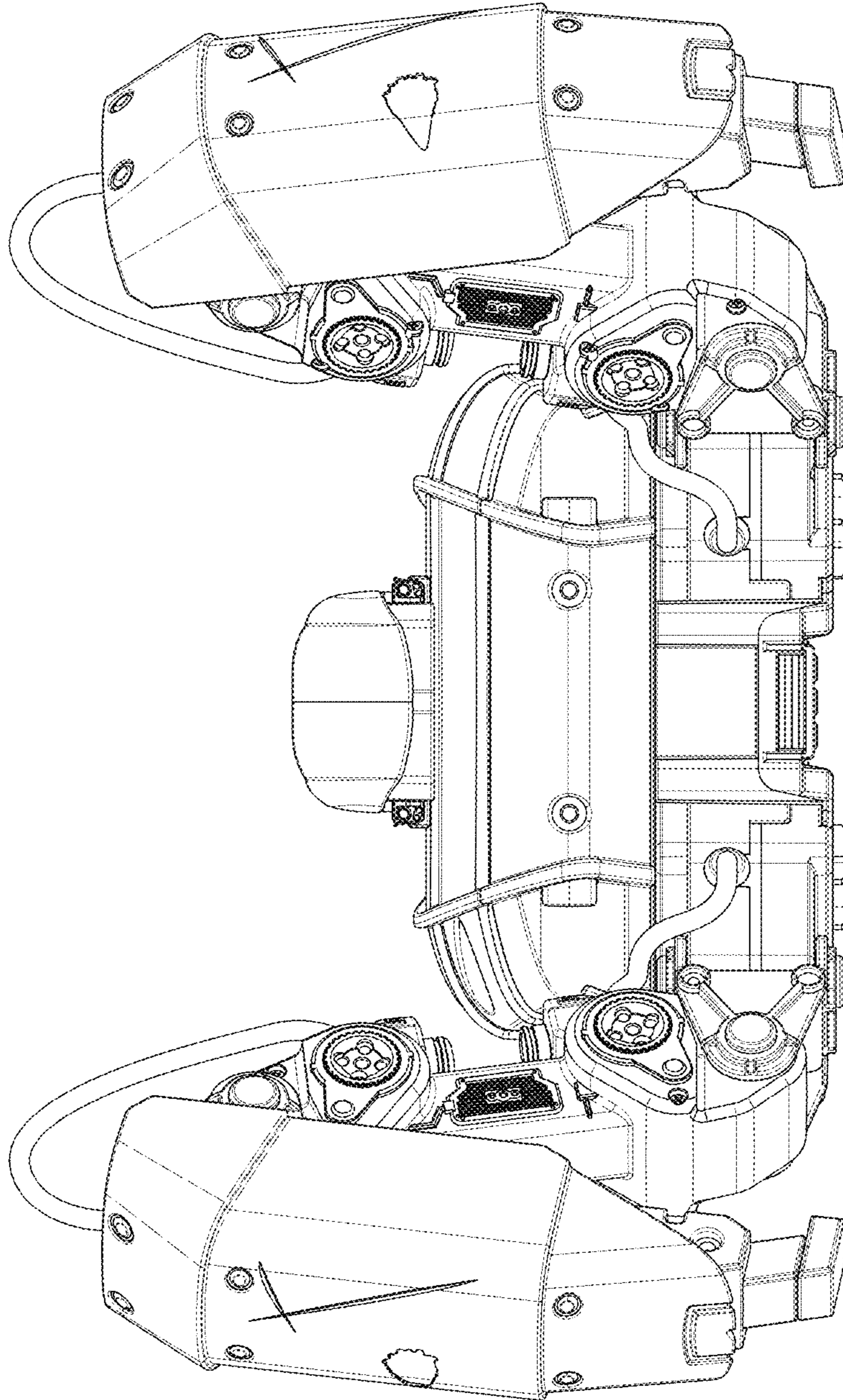


FIG. 5

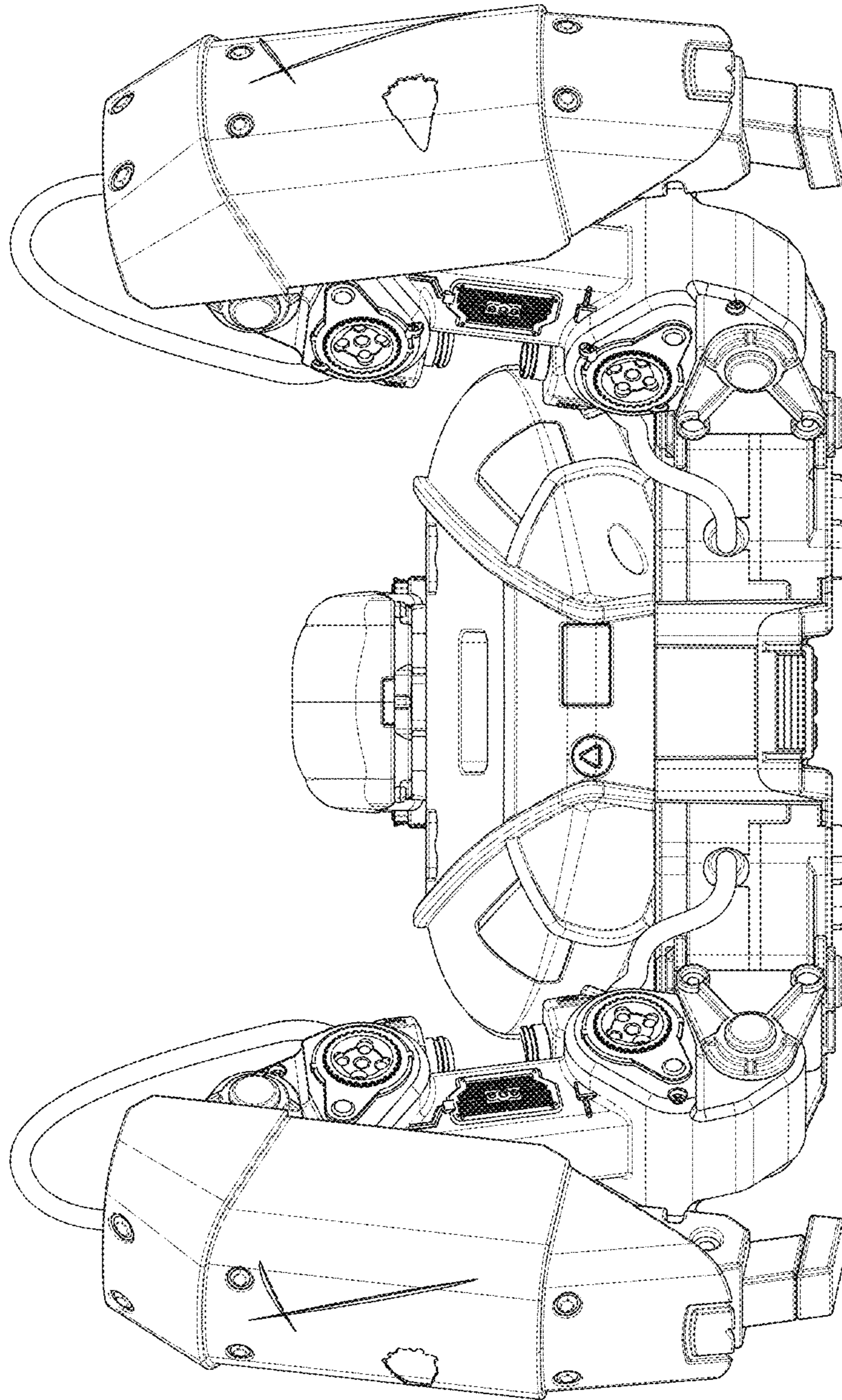


FIG. 6

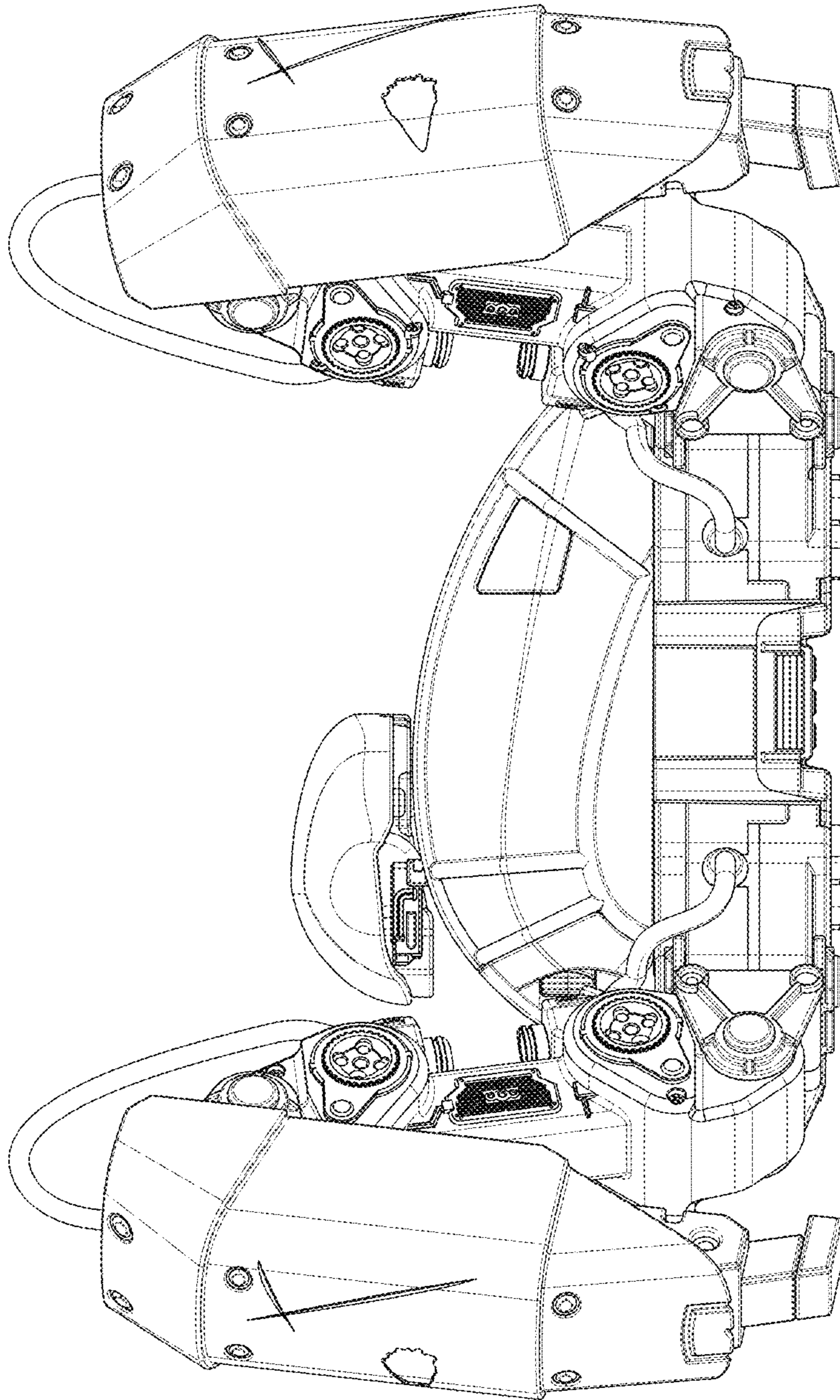


FIG. 7

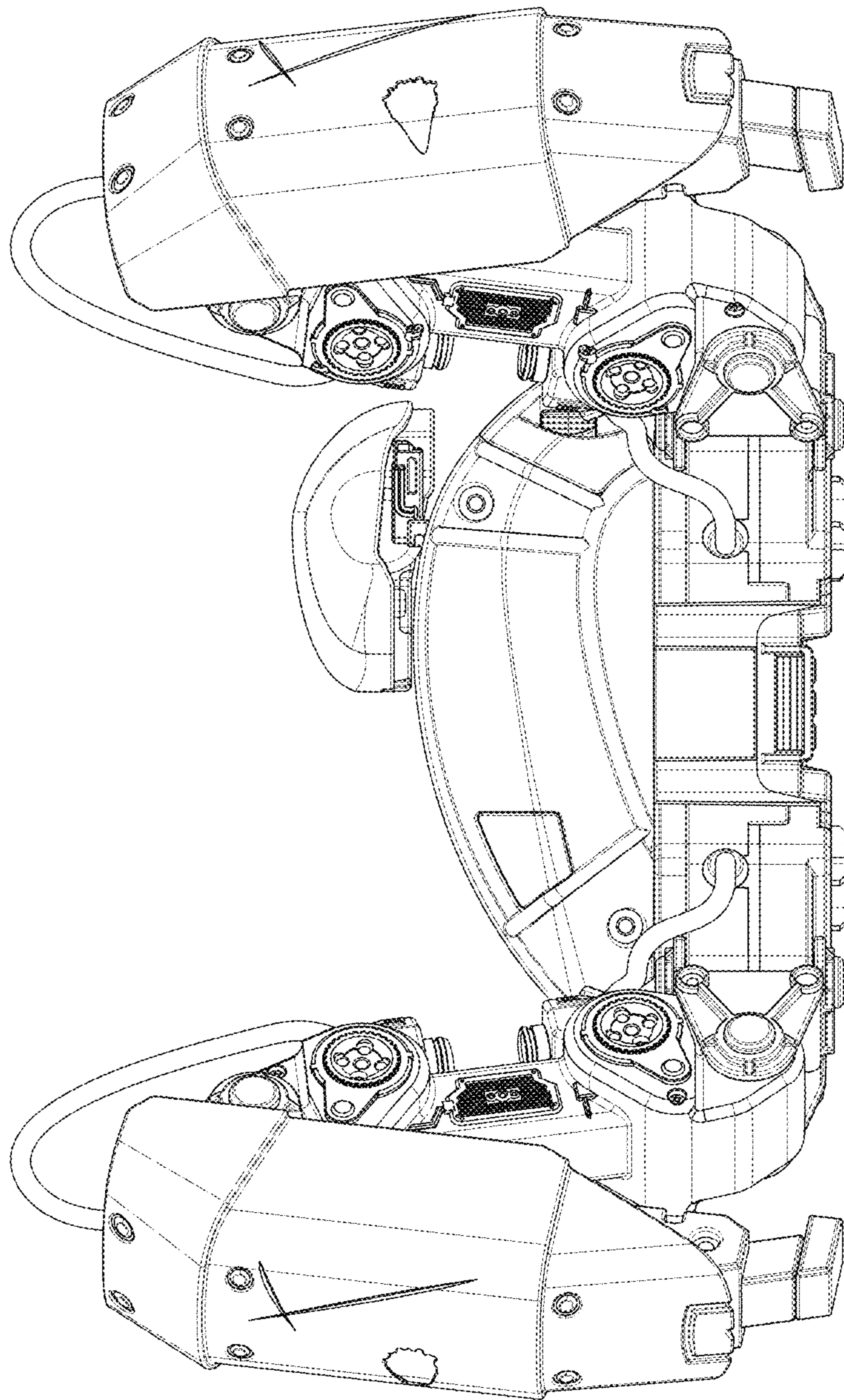


FIG. 8

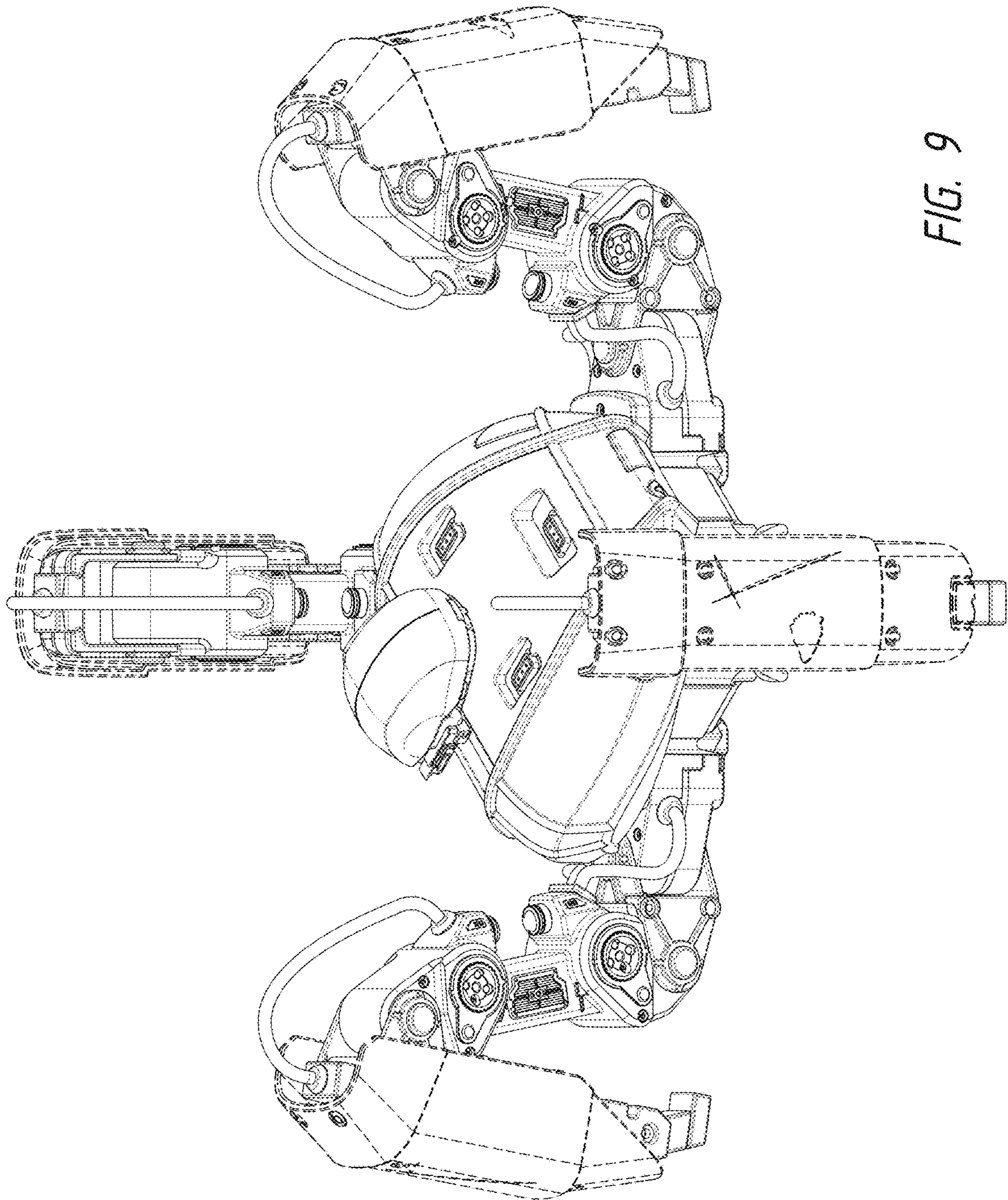


FIG. 9

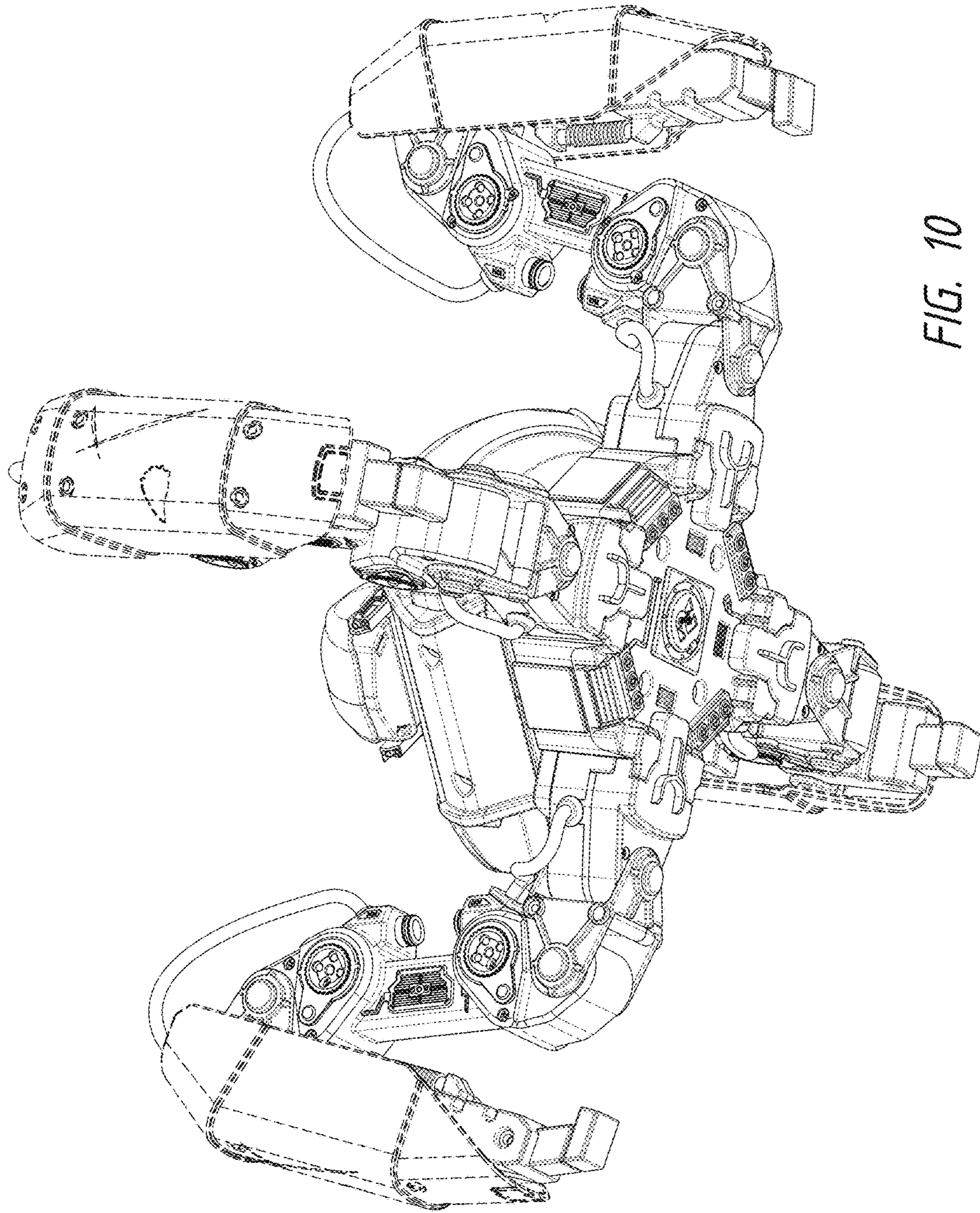


FIG. 10

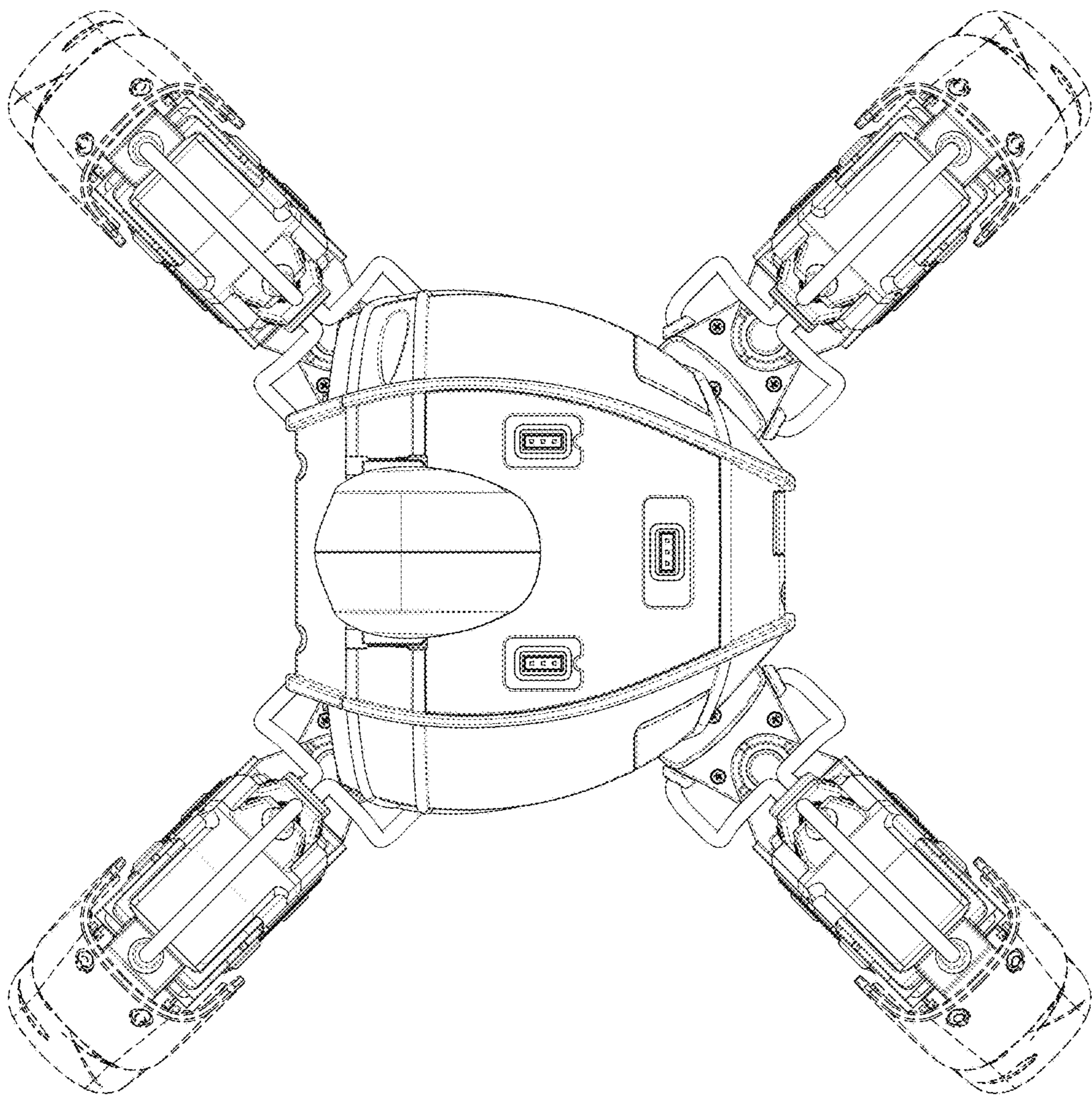
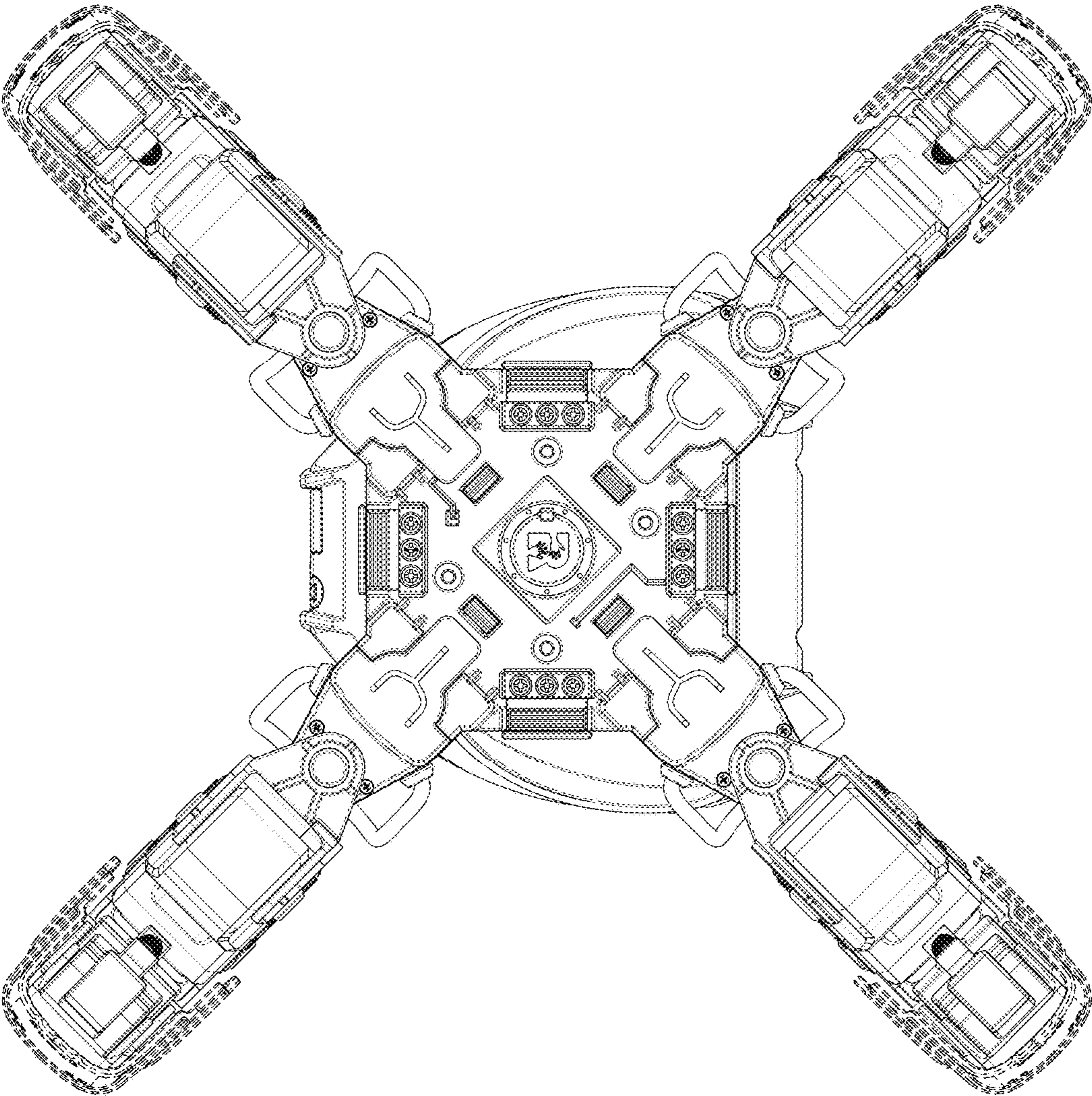


FIG. 11

FIG. 12



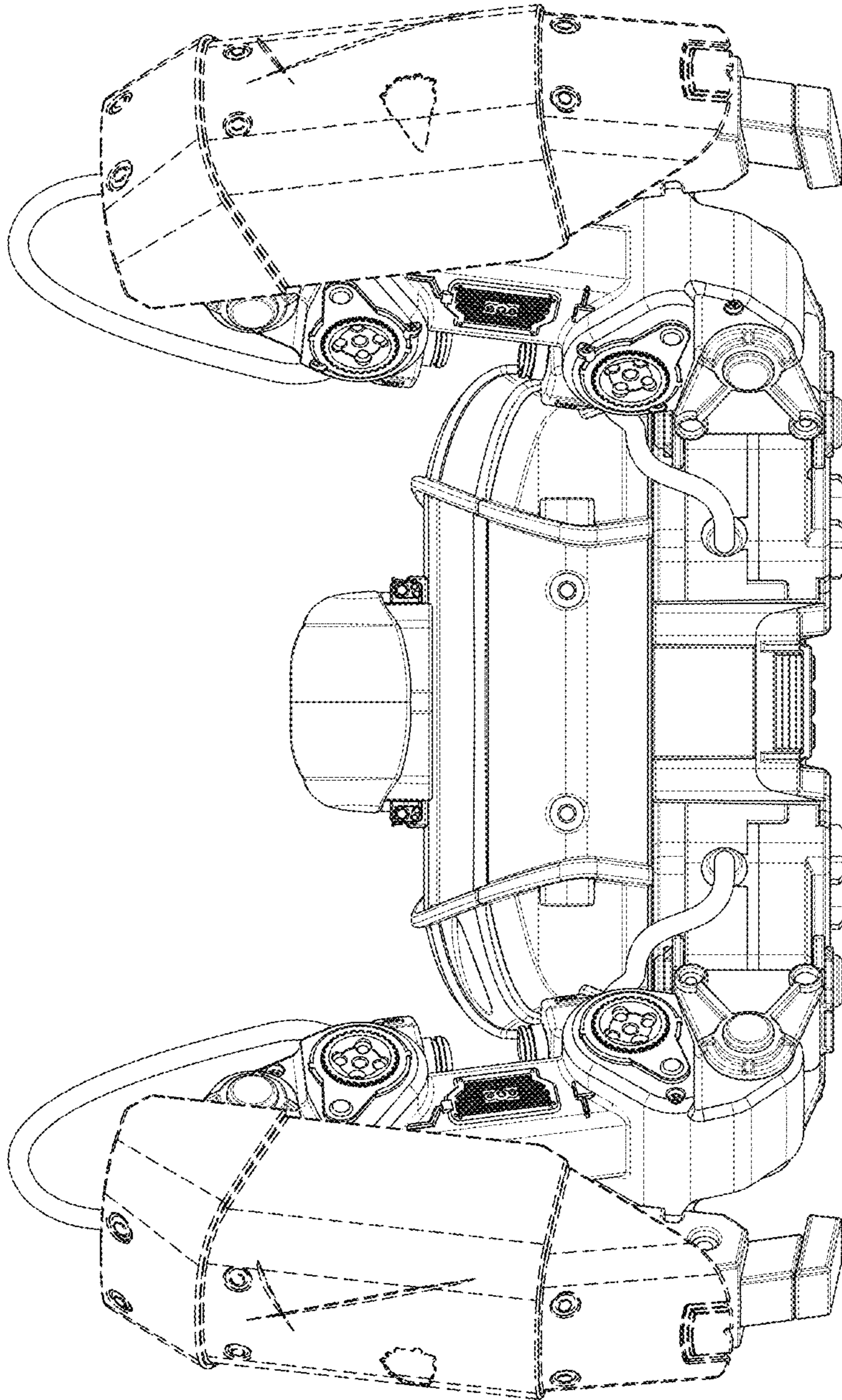


FIG. 13

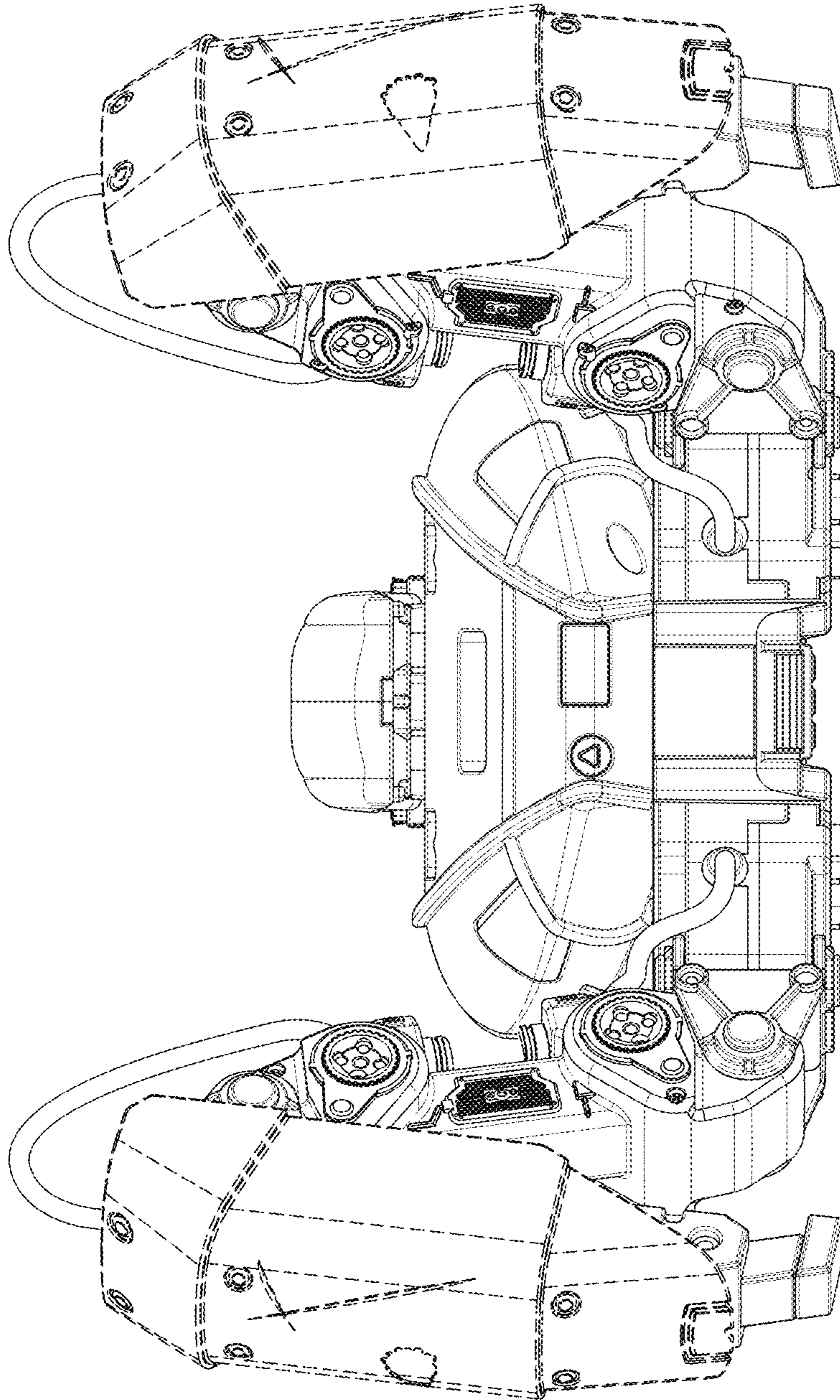


FIG. 14

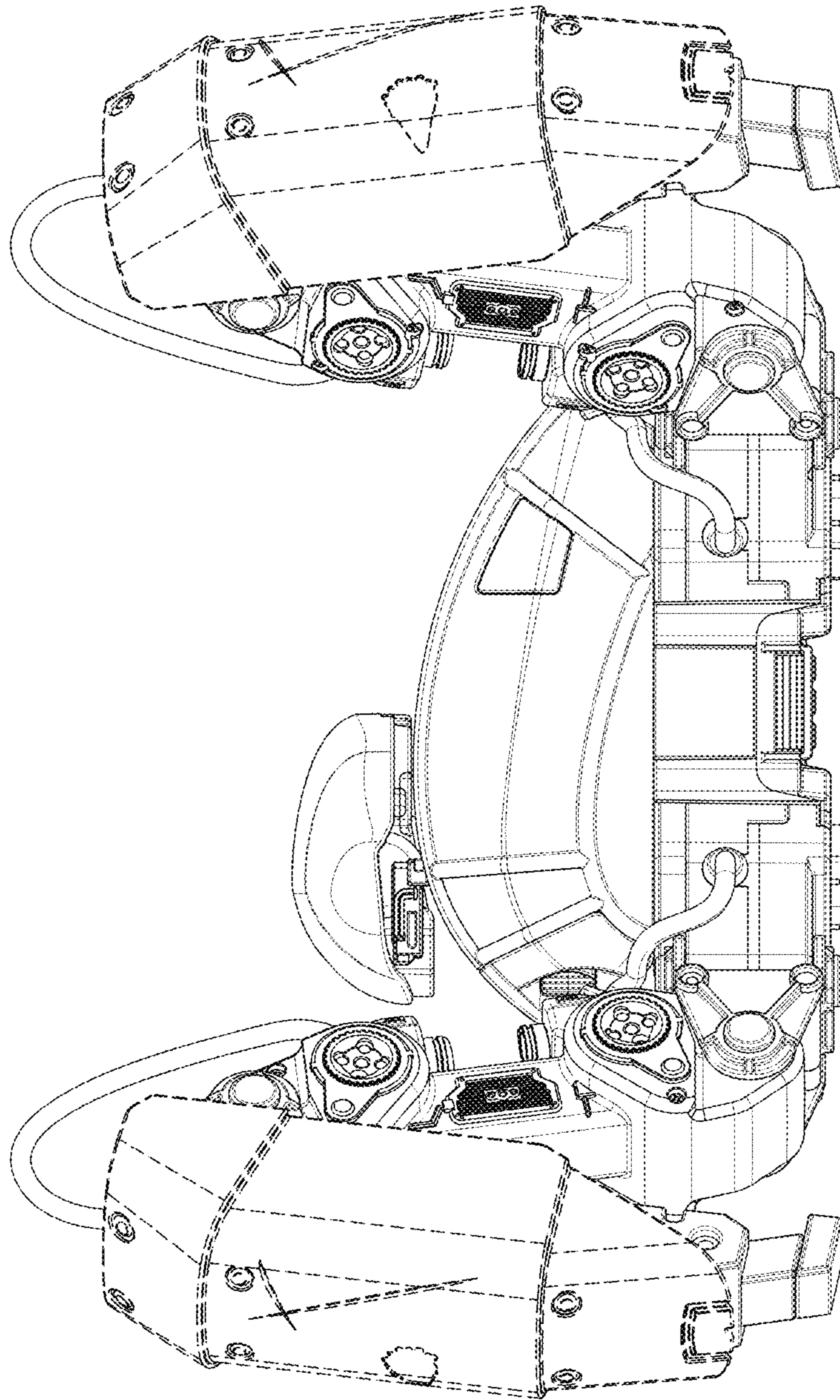


FIG. 15

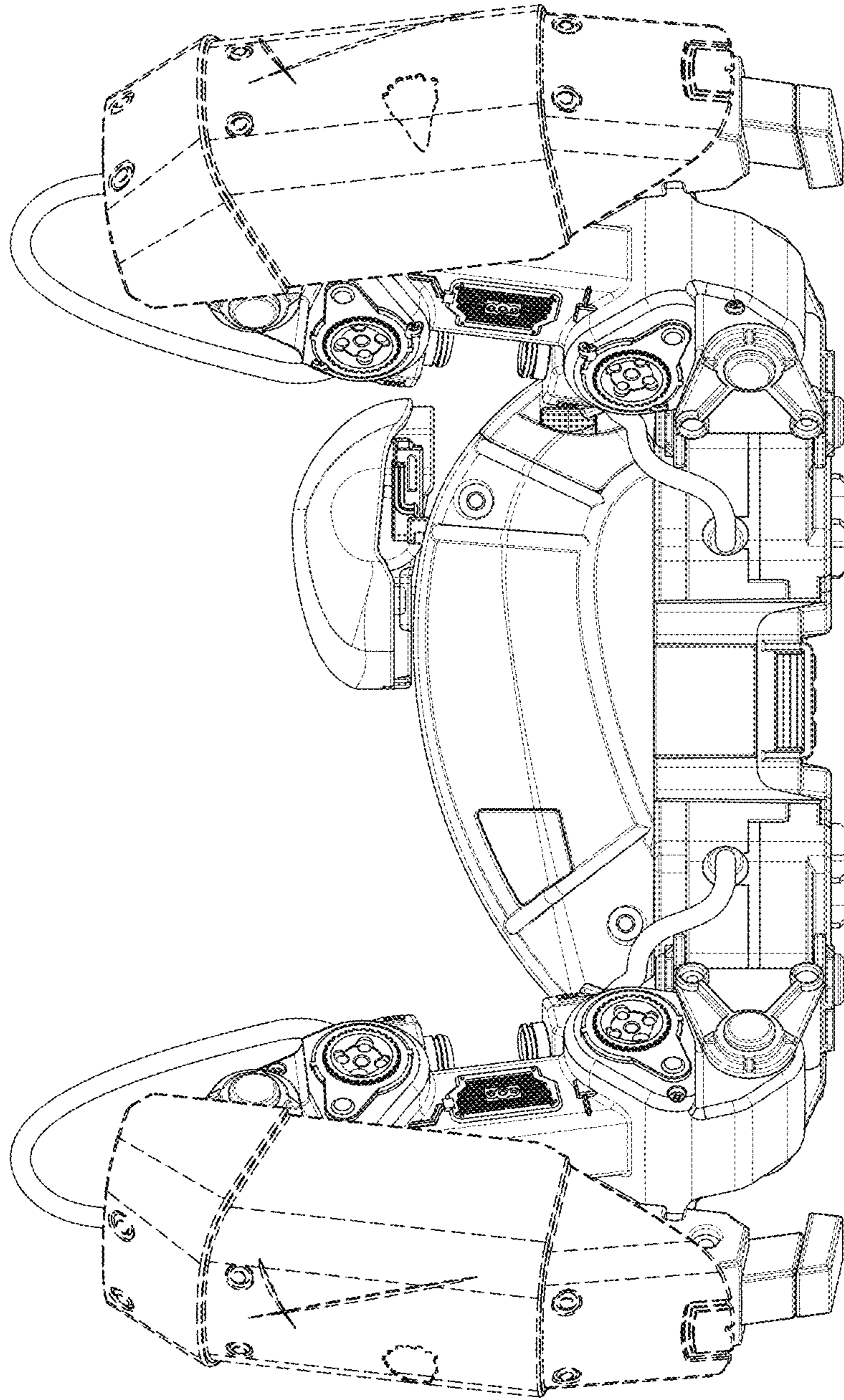


FIG. 16