



US00D810210S

(12) **United States Design Patent** (10) **Patent No.:** **US D810,210 S**
Lee (45) **Date of Patent:** **** Feb. 13, 2018**

(54) **SOLAR-POWERED TOY CAR** 6,475,059 B1 * 11/2002 Lee A63H 17/262
446/431
(71) Applicant: **Wen-Hsien Lee**, New Taipei (TW) D562,916 S * 2/2008 Laurienzo D21/533
D713,477 S * 9/2014 Lee D15/199
(72) Inventor: **Wen-Hsien Lee**, New Taipei (TW) 2002/0137428 A1 * 9/2002 Tilbor A63H 17/262
446/465

(**) Term: **15 Years**

* cited by examiner

(21) Appl. No.: **29/543,103**

Primary Examiner — Cynthia M Chin

(22) Filed: **Oct. 21, 2015**

(74) *Attorney, Agent, or Firm* — Alan D. Kamrath;
Kamrath IP Lawfirm, P.A.

(51) **LOC (11) Cl.** **21-01**

(52) **U.S. Cl.**
USPC **D21/533**

(57) **CLAIM**

The ornamental design for a solar-powered toy car, as shown and described.

(58) **Field of Classification Search**
USPC D21/398, 533, 548, 549, 550, 551, 552,
D21/557, 560, 561, 562, 580, 581;
446/154, 164, 231, 233, 236–242, 265,
446/266, 273, 437, 462, 465, 470
CPC A63H 17/004; A63H 17/26; A63H 17/262;
A63H 17/264; A63H 17/266; A63H
17/36; A63H 17/38; A63H 29/00; A63H
29/16; A63H 29/165; A63H 29/22; A63H
29/24; A63H 30/04

DESCRIPTION

FIG. 1 is a perspective view of a solar-powered toy car showing my new design;
FIG. 2 is another perspective view thereof;
FIG. 3 is a front view thereof;
FIG. 4 is a rear view thereof;
FIG. 5 is a left side view thereof;
FIG. 6 is a right side view thereof;
FIG. 7 is a top view thereof; and,
FIG. 8 is a bottom view thereof.

See application file for complete search history.

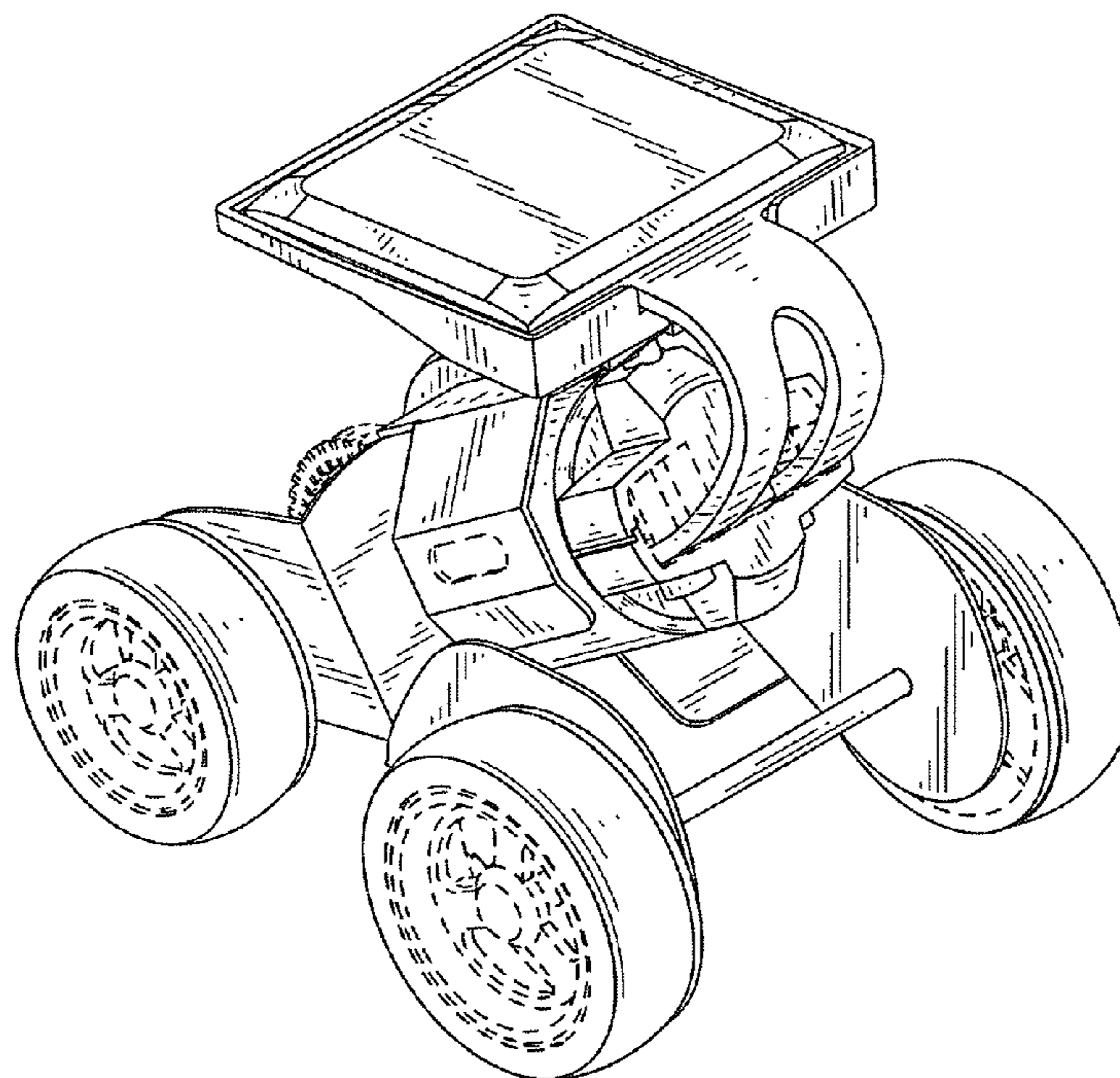
The dot-dot-dash broken lines are included for the purpose of illustrating the bounds of the claim, and all other broken lines shown are included for the purpose of illustrating portions of the article that form no part of the claimed design.

(56) **References Cited**

U.S. PATENT DOCUMENTS

4,363,187 A * 12/1982 Shinohara A63H 17/004
446/437
D283,236 S * 4/1986 Arigaya D21/562
D284,019 S * 5/1986 Arigaya D21/562
5,667,420 A * 9/1997 Menow A63H 17/004
180/22

1 Claim, 8 Drawing Sheets



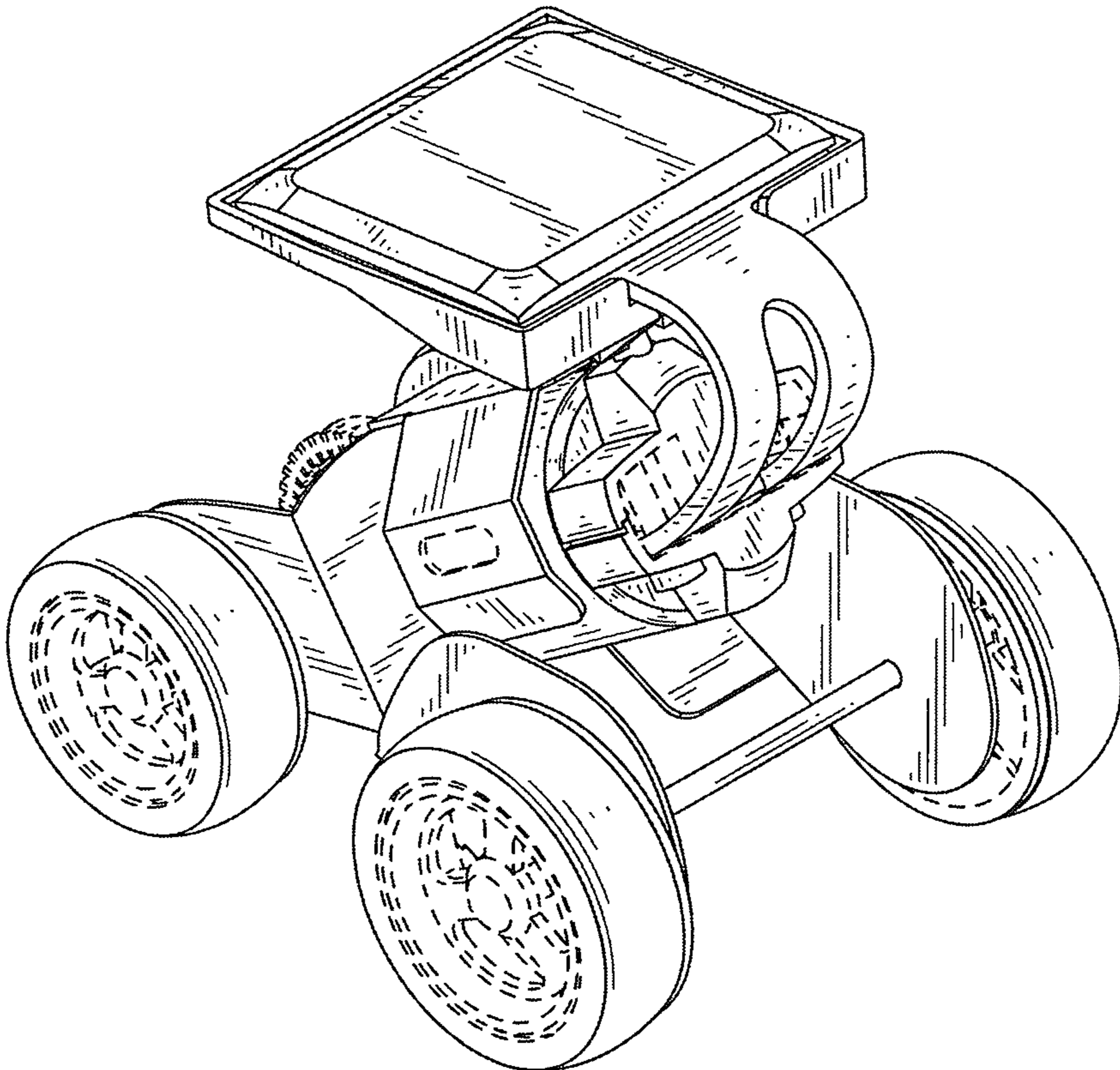


FIG.1

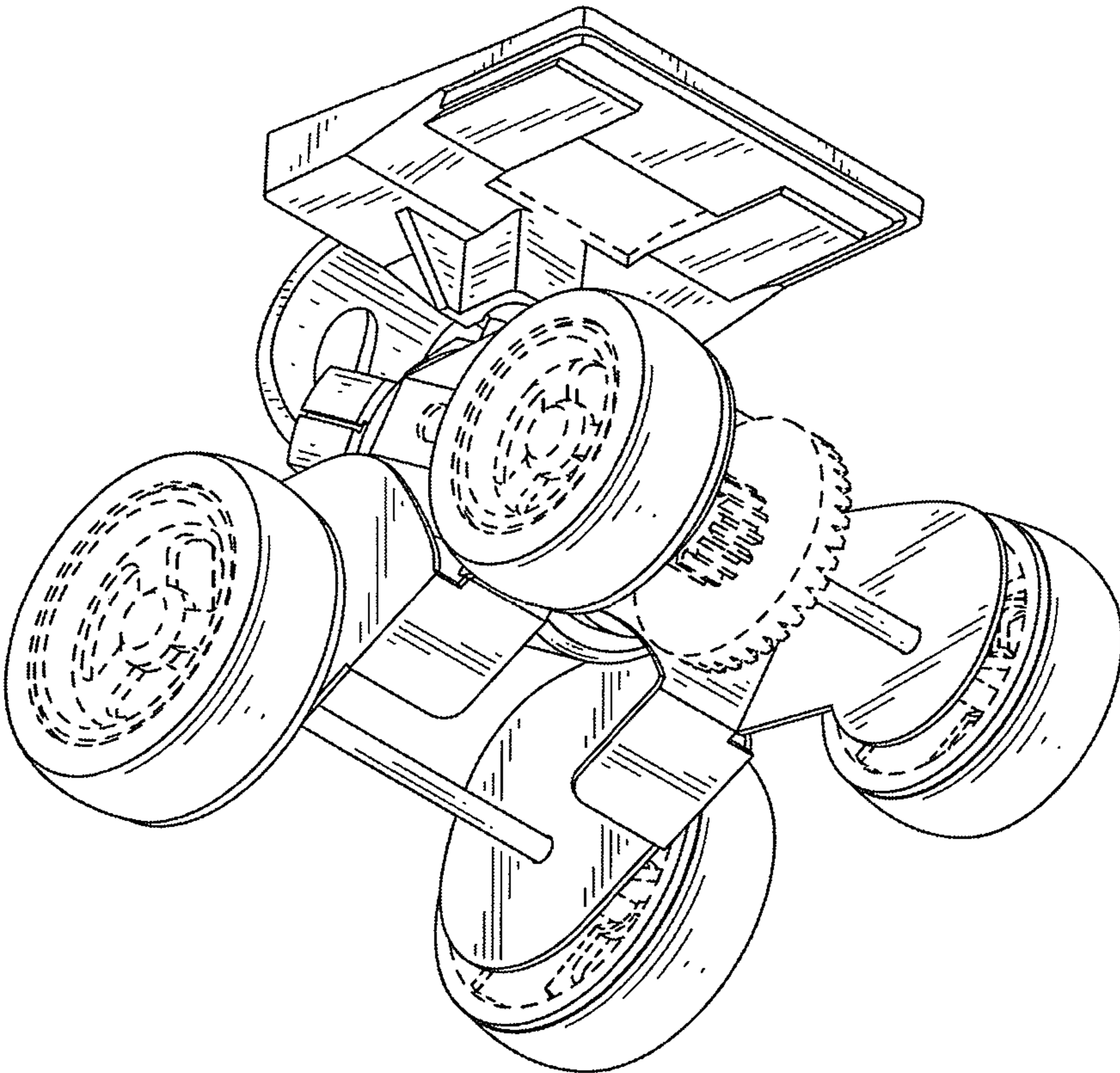


FIG.2

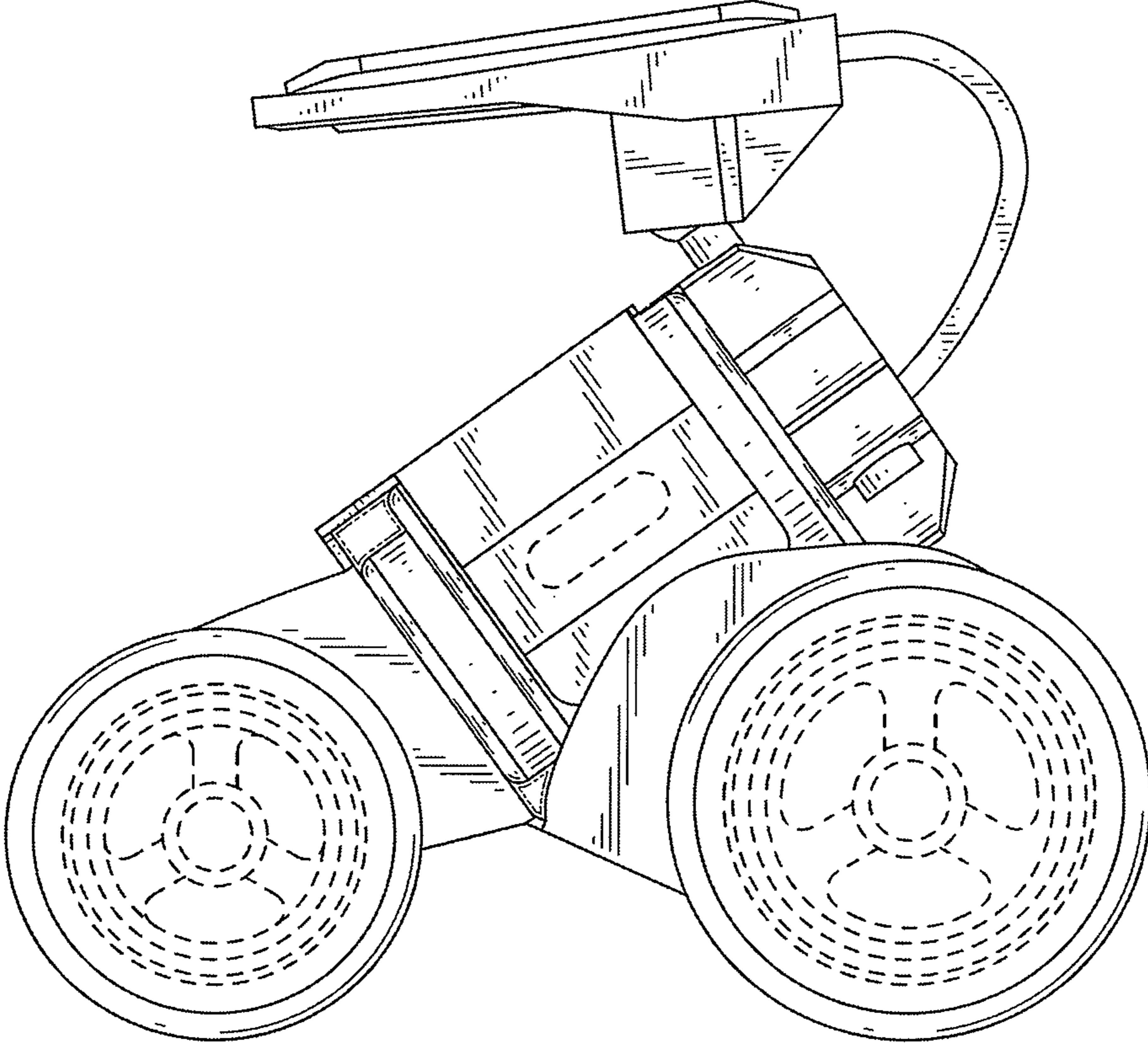


FIG.3

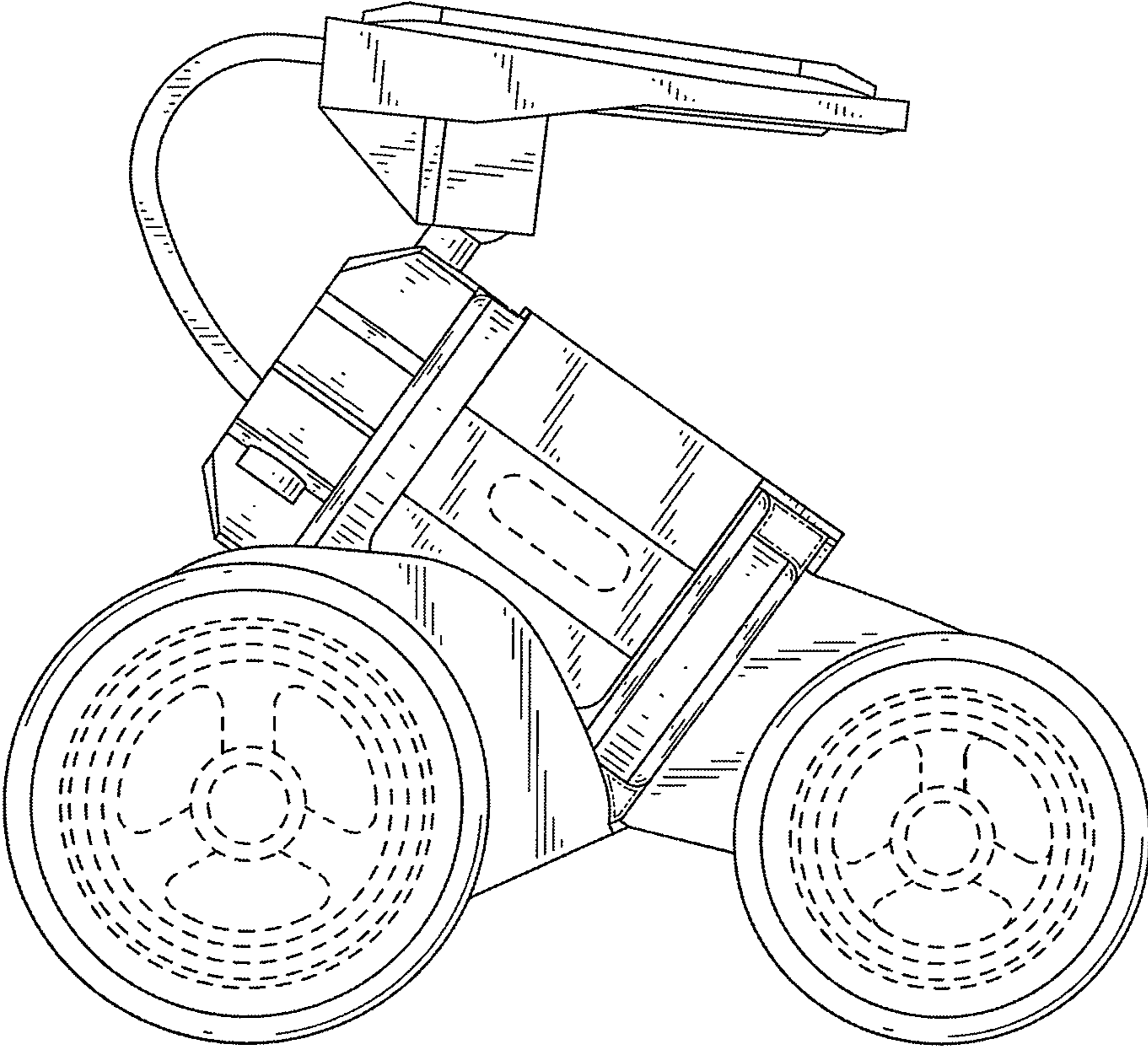


FIG.4

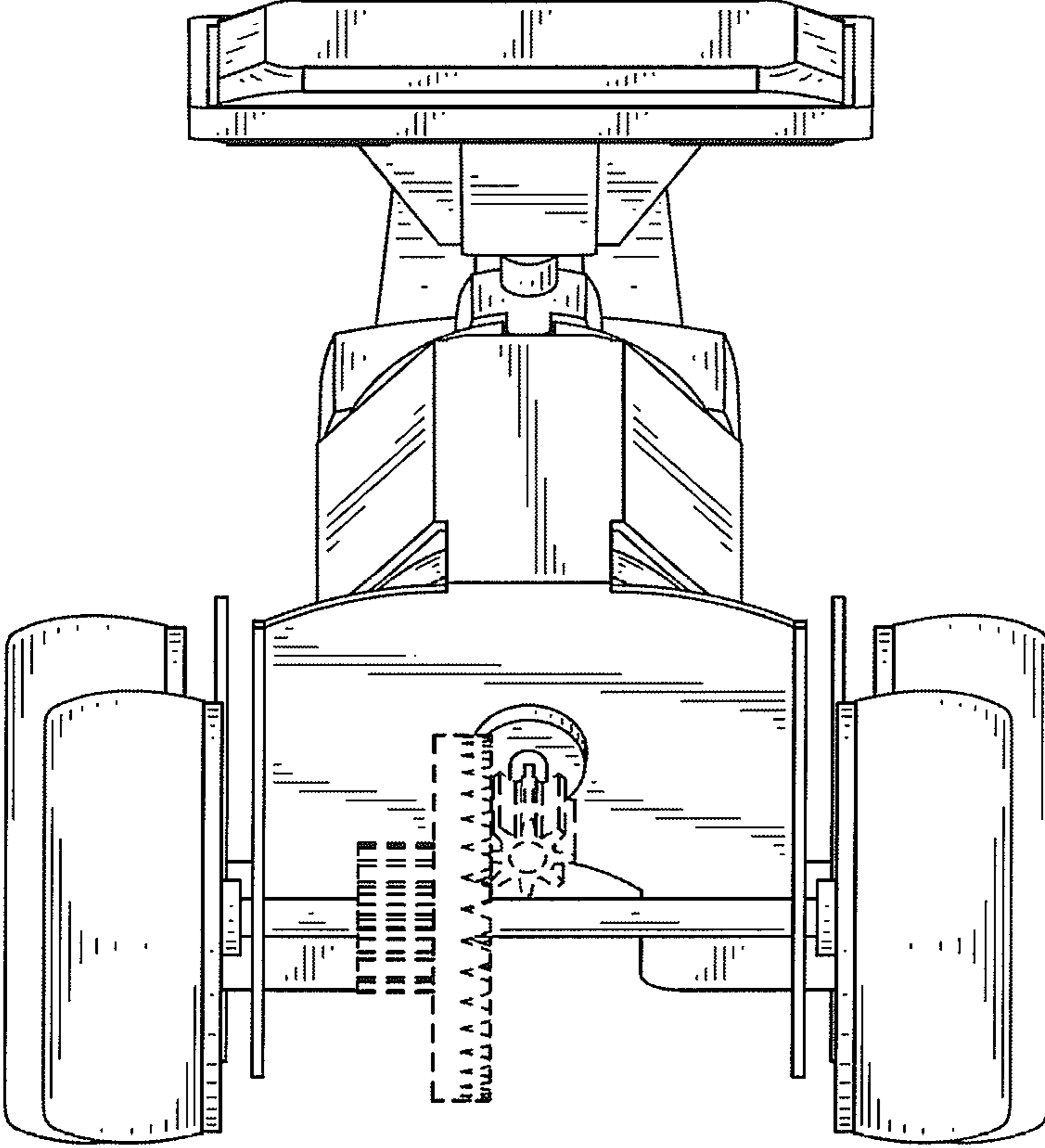


FIG.5

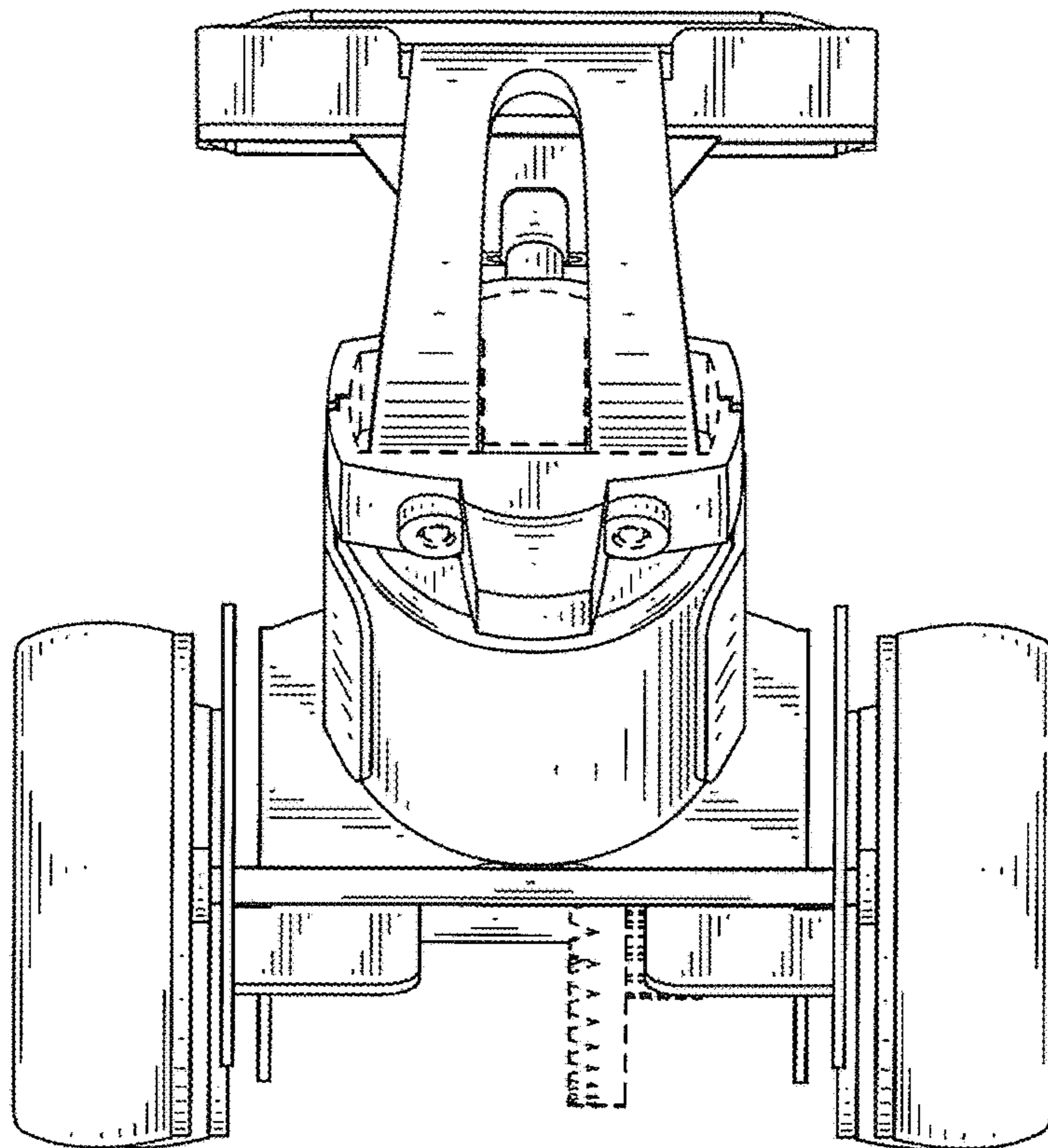


FIG.6

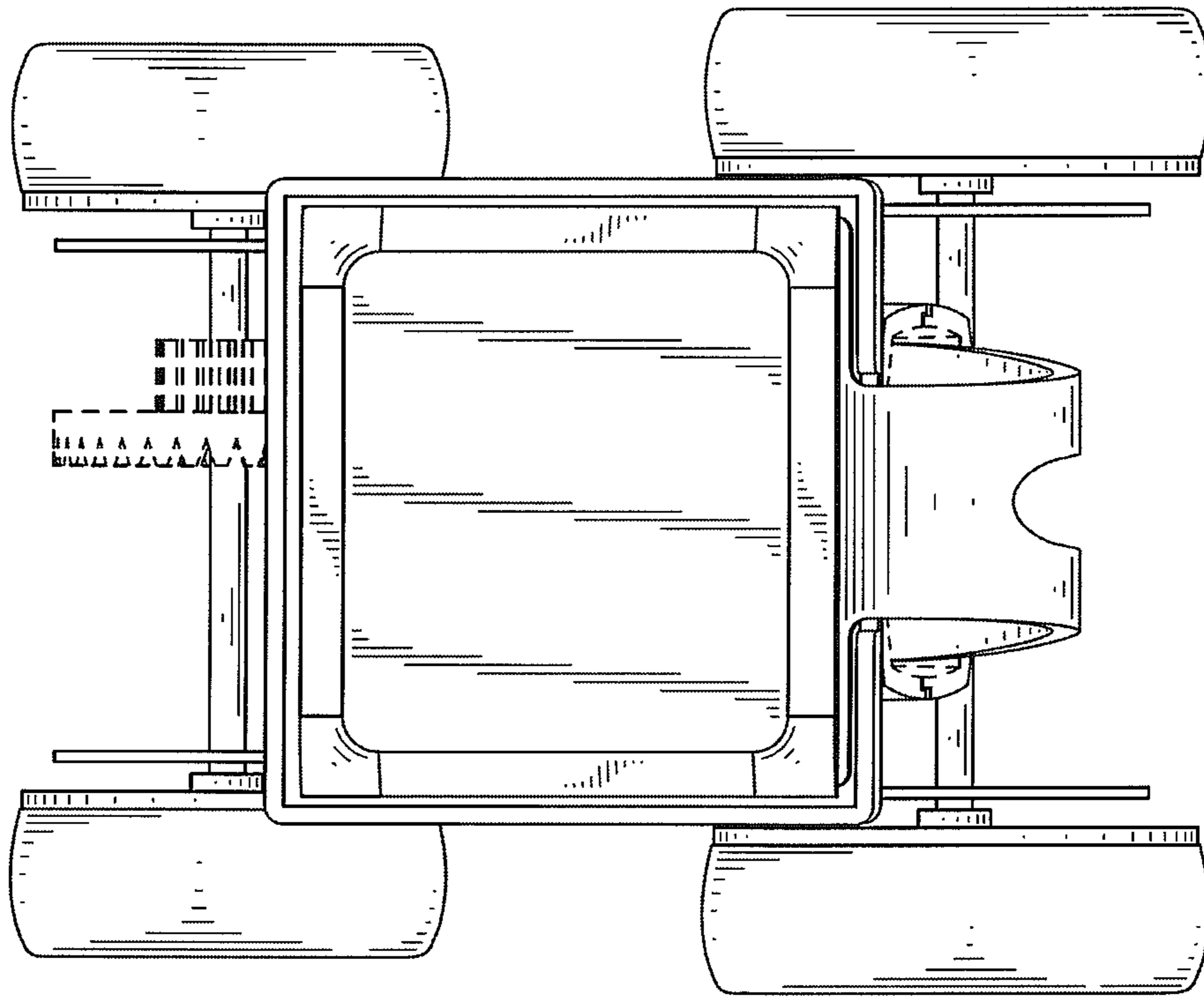


FIG. 7

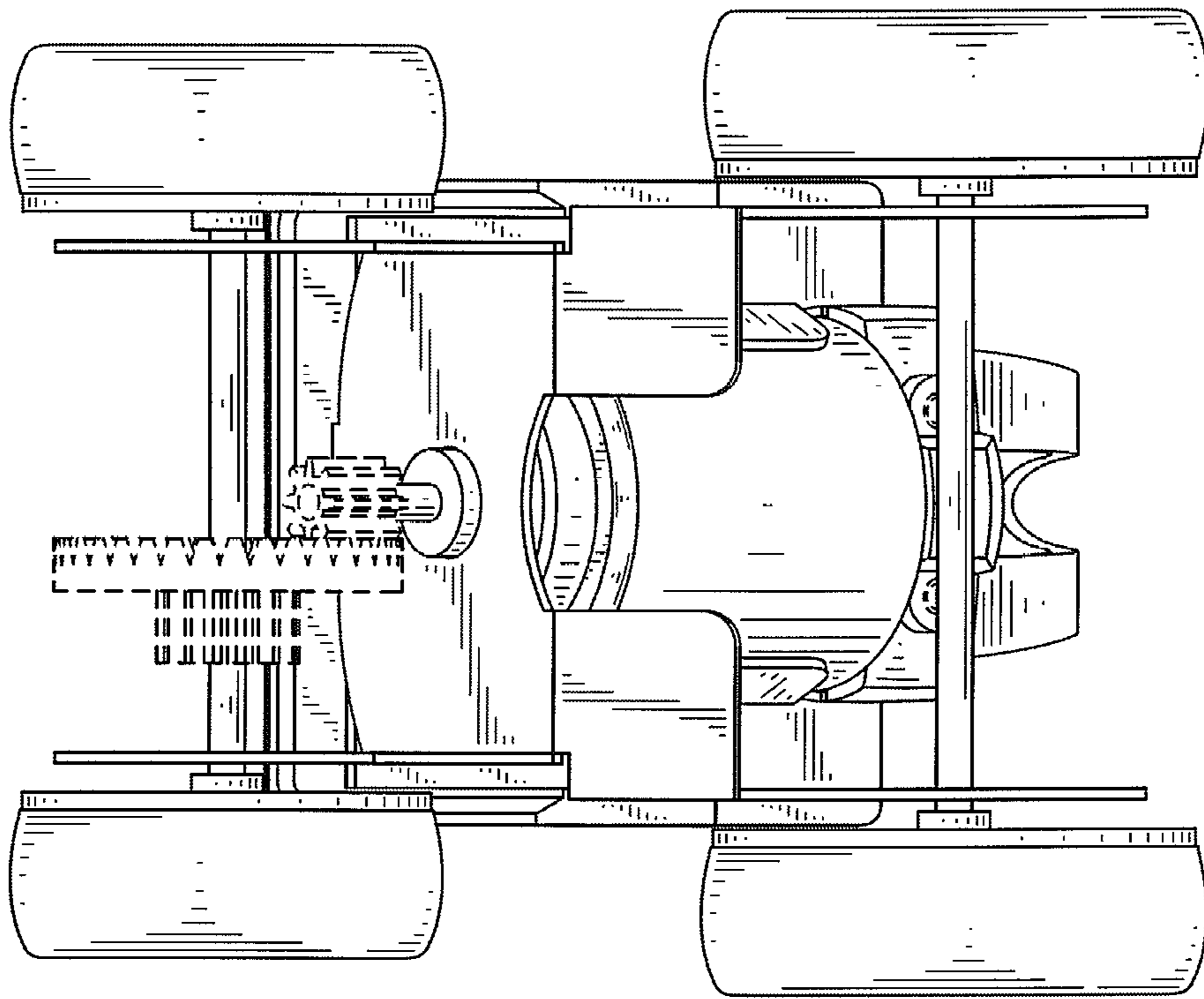


FIG.8