



US00D810209S

(12) **United States Design Patent** (10) **Patent No.:** **US D810,209 S**
Gibbs (45) **Date of Patent:** **** Feb. 13, 2018**

(54) **BATHTUB TABLE LEG**
(71) Applicant: **TUBBY TABLE TOYS, INC.**, Oak Park, CA (US)
(72) Inventor: **Julie Gibbs**, Oak Park, CA (US)
(73) Assignee: **TUBBY TABLE TOYS, INC.**, Oak Park, CA (US)

Primary Examiner — John Windmuller
Assistant Examiner — John R Yeh
(74) *Attorney, Agent, or Firm* — Kevin Schraven; Lindsey Auerbach; Hankin Patent Law, APC

(57) **CLAIM**
The ornamental design for a bathtub table leg, as shown and described.

(**) Term: **15 Years**
(21) Appl. No.: **29/558,162**
(22) Filed: **Mar. 15, 2016**
(51) **LOC (11) Cl.** **21-01**
(52) **U.S. Cl.**
USPC **D21/522**
(58) **Field of Classification Search**
USPC D21/522, 519, 530–531, 533, 539–541,
D21/561, 473–474, 477, 493, 833, 830,
(Continued)

DESCRIPTION

FIG. 1 is a top perspective view of a bathtub table leg, showing my new design.
FIG. 2 is a right side elevational view thereof.
FIG. 3 is a left side elevational view thereof.
FIG. 4 is a front elevational view thereof.
FIG. 5 is a rear elevational view thereof.
FIG. 6 is a top plan view thereof.
FIG. 7 is a bottom plan view thereof.
FIG. 8 is a top perspective assembled view of a bathtub table leg, showing my new design with a table top attached to the bathtub table leg and adjusted to a lowest setting.
FIG. 9 is a right side elevational view thereof.
FIG. 10 is a left side elevational view thereof.
FIG. 11 is a front elevational view thereof.
FIG. 12 is a rear elevational view thereof.
FIG. 13 is a bottom plan view thereof.
FIG. 14 is a top perspective assembled view of a bathtub table leg, showing my new design with a table top attached to the bathtub table leg and adjusted to a highest setting.
FIG. 15 is a right side elevational view thereof.
FIG. 16 is a left side elevational view thereof.
FIG. 17 is a front elevational view thereof.
FIG. 18 is a rear elevational view thereof.
FIG. 19 is a top perspective assembled view of a bathtub table leg, showing my new design with a table top attached to the bathtub table leg and adjusted to a middle setting.
FIG. 20 is a right side elevational view thereof.
FIG. 21 is a left side elevational view thereof.
FIG. 22 is a front elevational view thereof; and
FIG. 23 is a rear elevational view thereof.

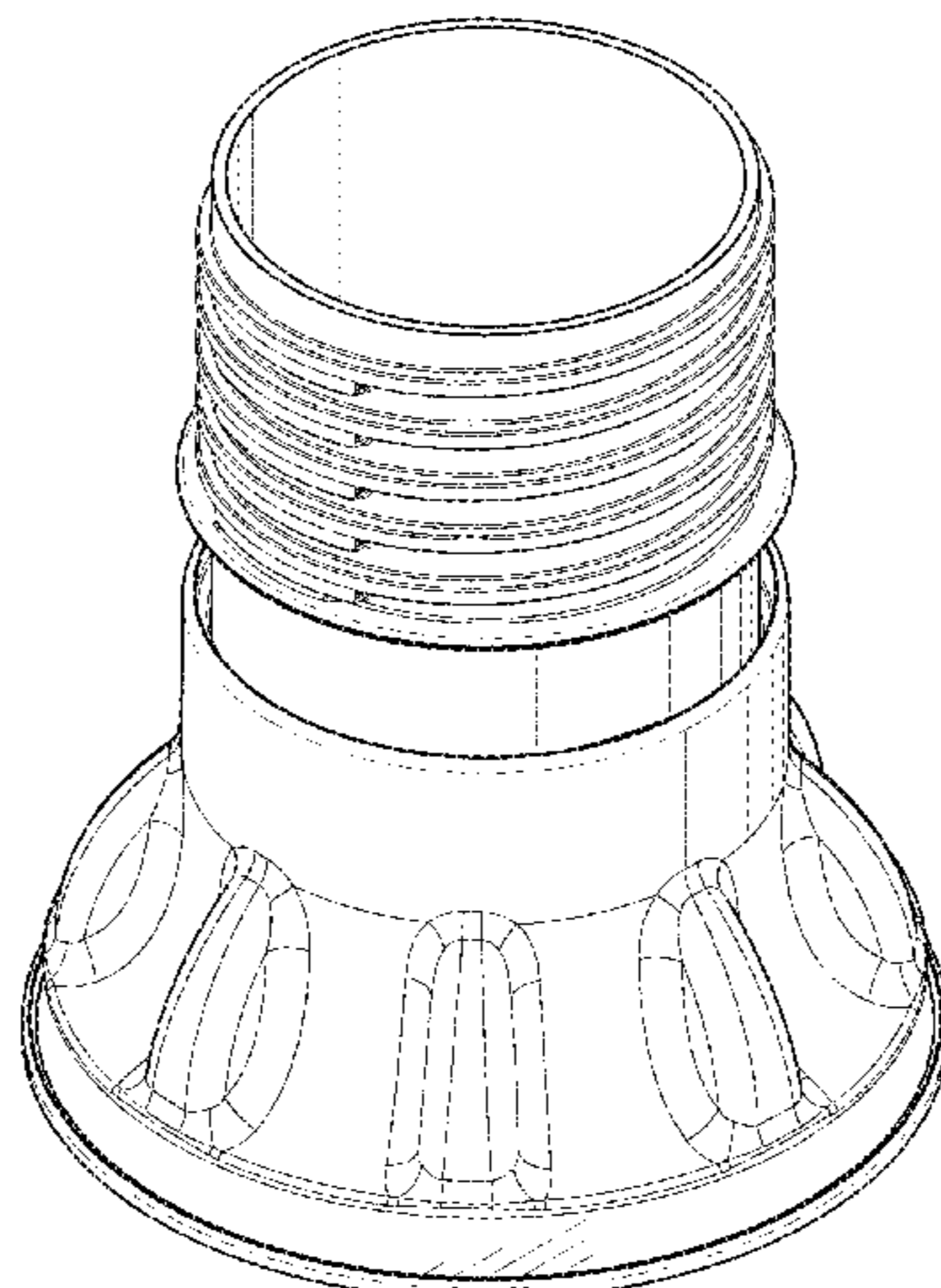
(56) **References Cited**
U.S. PATENT DOCUMENTS
145,145 A * 12/1873 Baggs A47B 13/023
108/150
546,479 A * 9/1895 Whipple A47B 19/04
248/447
2,338,092 A * 1/1944 Brown E04G 1/28
16/19
(Continued)

FOREIGN PATENT DOCUMENTS
CN 303565840 * 1/2016

OTHER PUBLICATIONS
AmazonSmile: Tubby Table Bathtub Activity Hub, customer review Feb. 1, 2017, https://smile.amazon.com/Tubby-Table-Bathtub-Activity-Toys/dp/B01K16EKK8/ref=sr_1 . . . site visited Sep. 24, 2017.*

The broken lines in the Figures form no part of the claimed design.

1 Claim, 23 Drawing Sheets



(58) **Field of Classification Search**

USPC D21/816, 811; D6/692.3, 685, 688.12,
D6/696.1
CPC A47K 3/001; A47B 19/04; A47F 5/01
See application file for complete search history.

(56) **References Cited**

U.S. PATENT DOCUMENTS

D185,305 S * 5/1959 Molla D6/688.11
3,172,659 A * 3/1965 Daleiden A63G 1/18
472/24
D233,540 S * 11/1974 Doe D21/408
D244,044 S * 4/1977 Ahrens D21/432
D249,977 S * 10/1978 Kilander D21/473
D273,027 S * 3/1984 Echterling D21/522
4,724,773 A * 2/1988 Newberry A47B 91/08
108/150
D376,713 S * 12/1996 Kelso D6/709.18
D450,375 S * 11/2001 Beichner D23/304
D463,827 S * 10/2002 Chen D21/318
D469,991 S * 2/2003 Stanton D6/696.1
D589,783 S * 4/2009 Eul D8/374
D590,451 S * 4/2009 Gold D21/473
D641,435 S * 7/2011 Coote D21/694
D656,343 S * 3/2012 Grimaldi D6/686
D666,486 S * 9/2012 Czipri D8/387
D671,368 S * 11/2012 Stewart D7/558
D677,343 S * 3/2013 Chase D21/522
D712,490 S * 9/2014 Gibbs D21/522
D736,323 S * 8/2015 Wai Shing D21/419
2005/0199161 A1 * 9/2005 De Keyzer A47B 9/10
108/115
2017/0245640 A1 * 8/2017 Cheng A47B 91/024

* cited by examiner

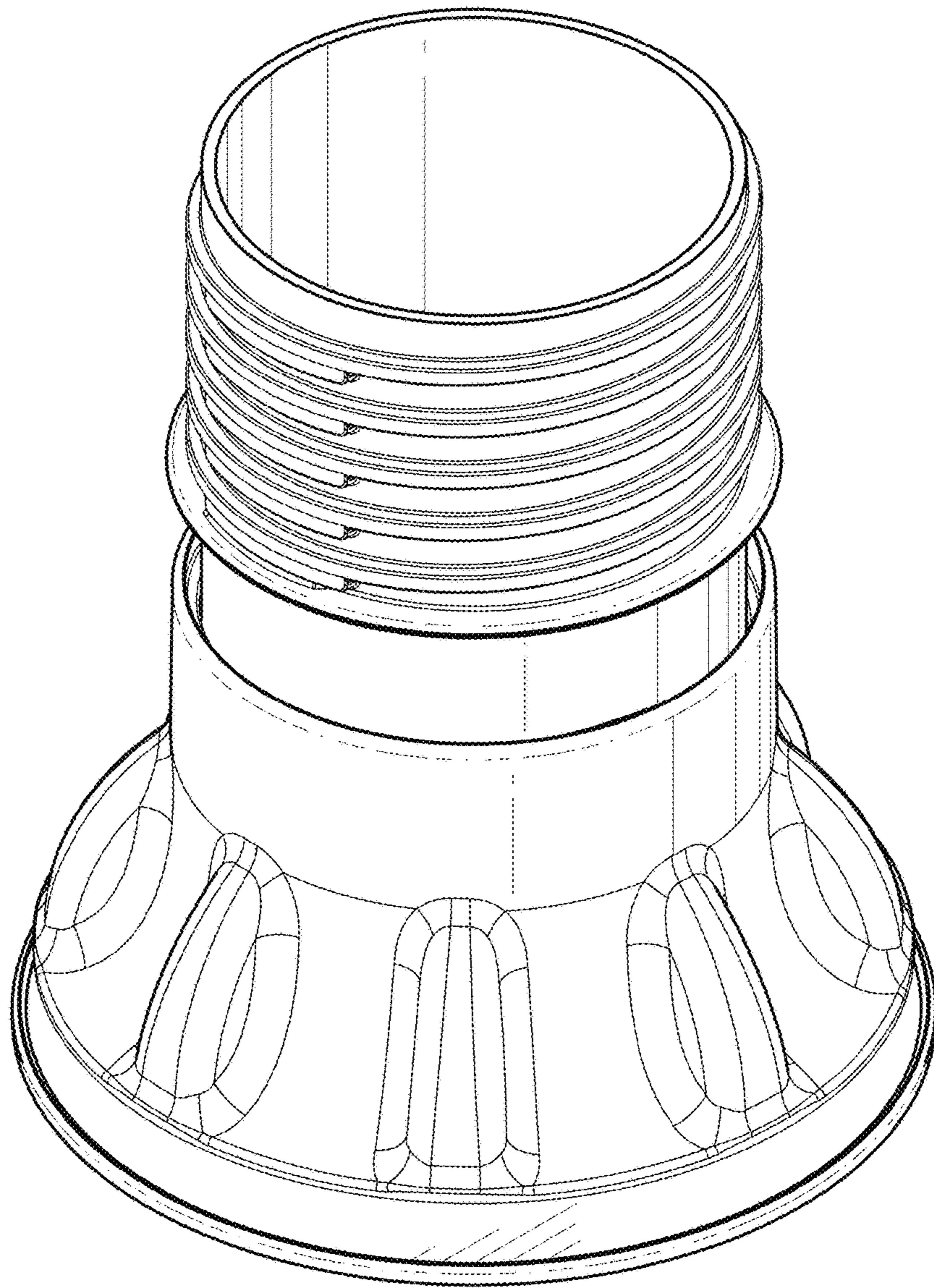


FIG. 1

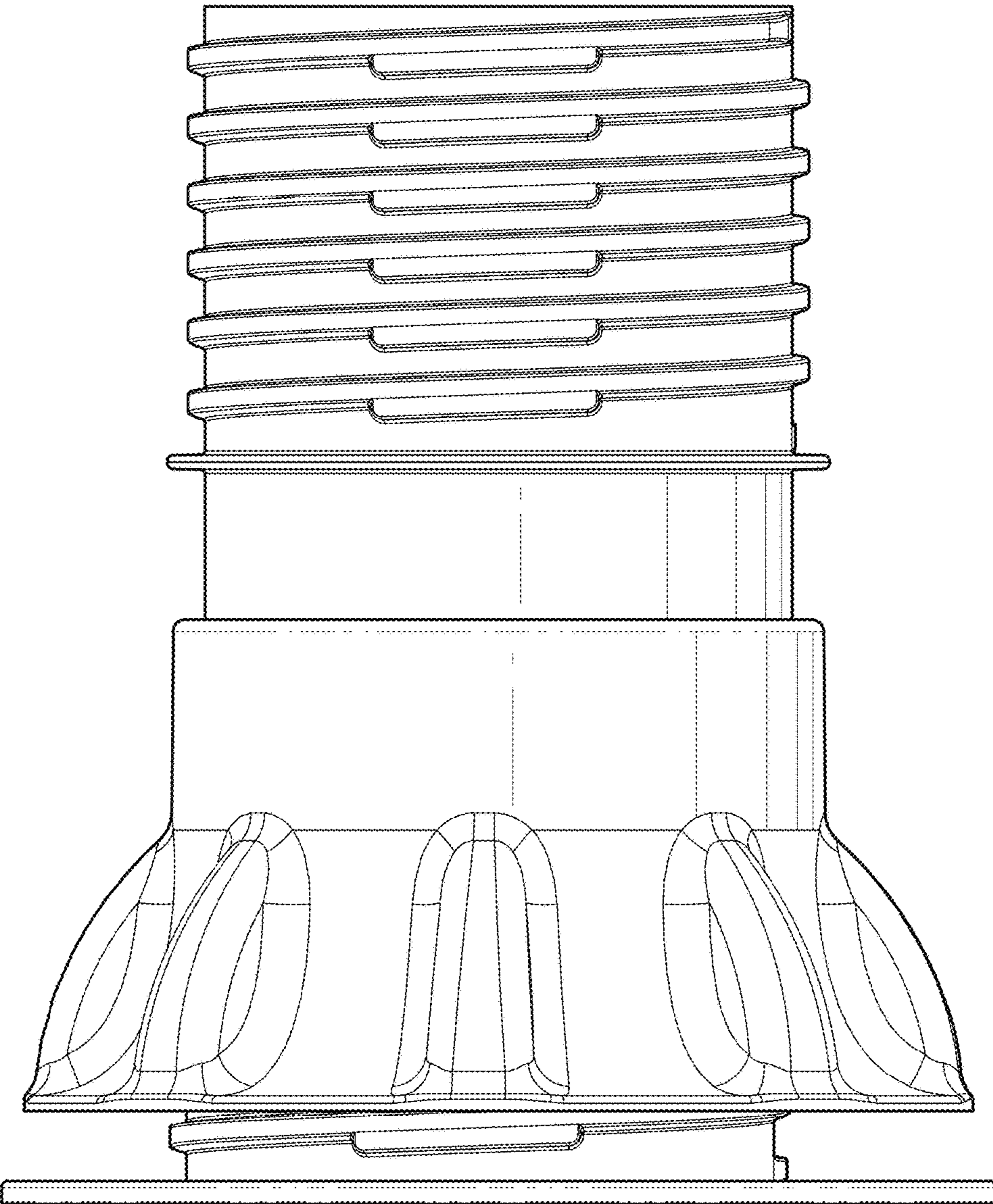


FIG. 2

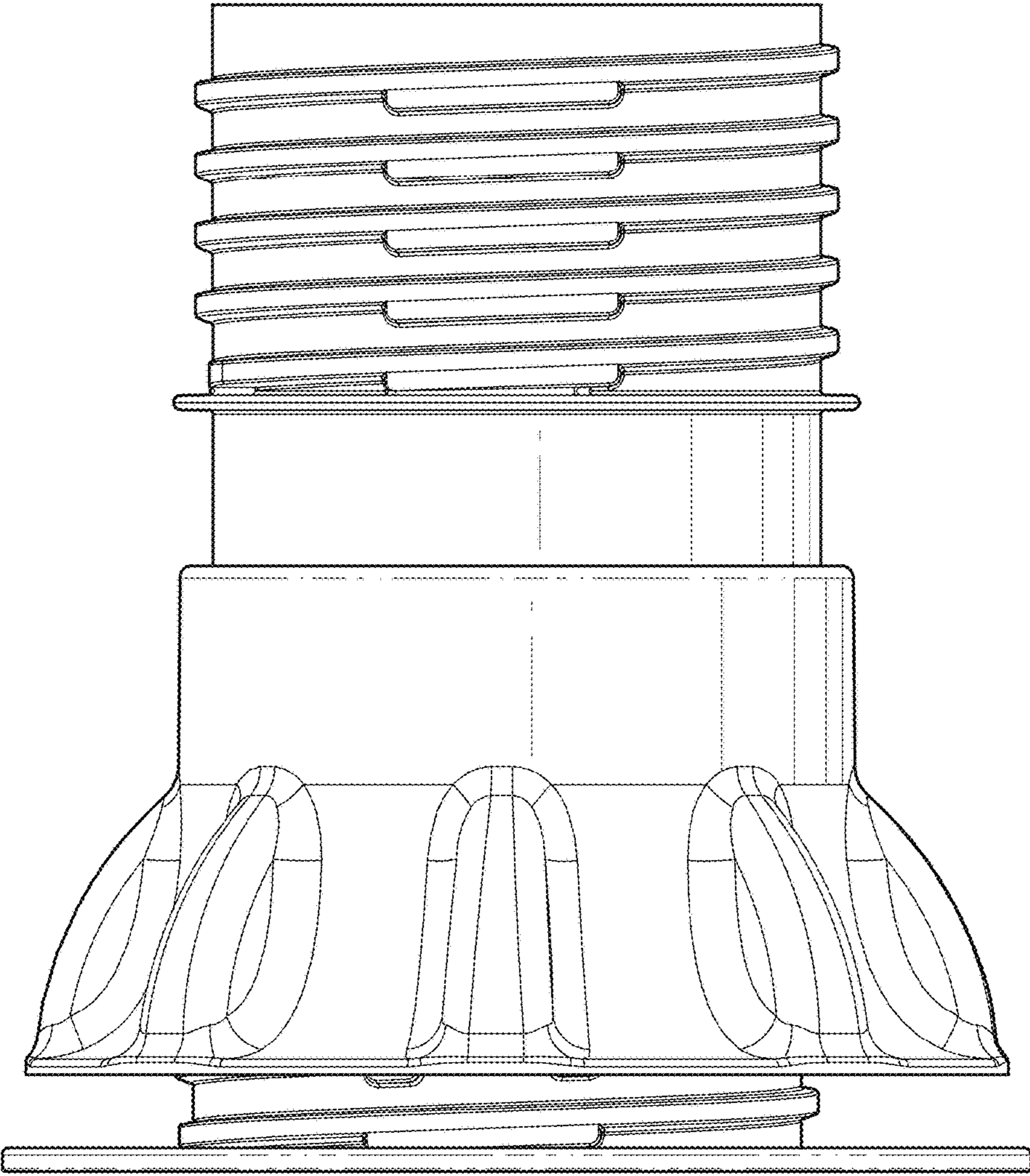


FIG. 3

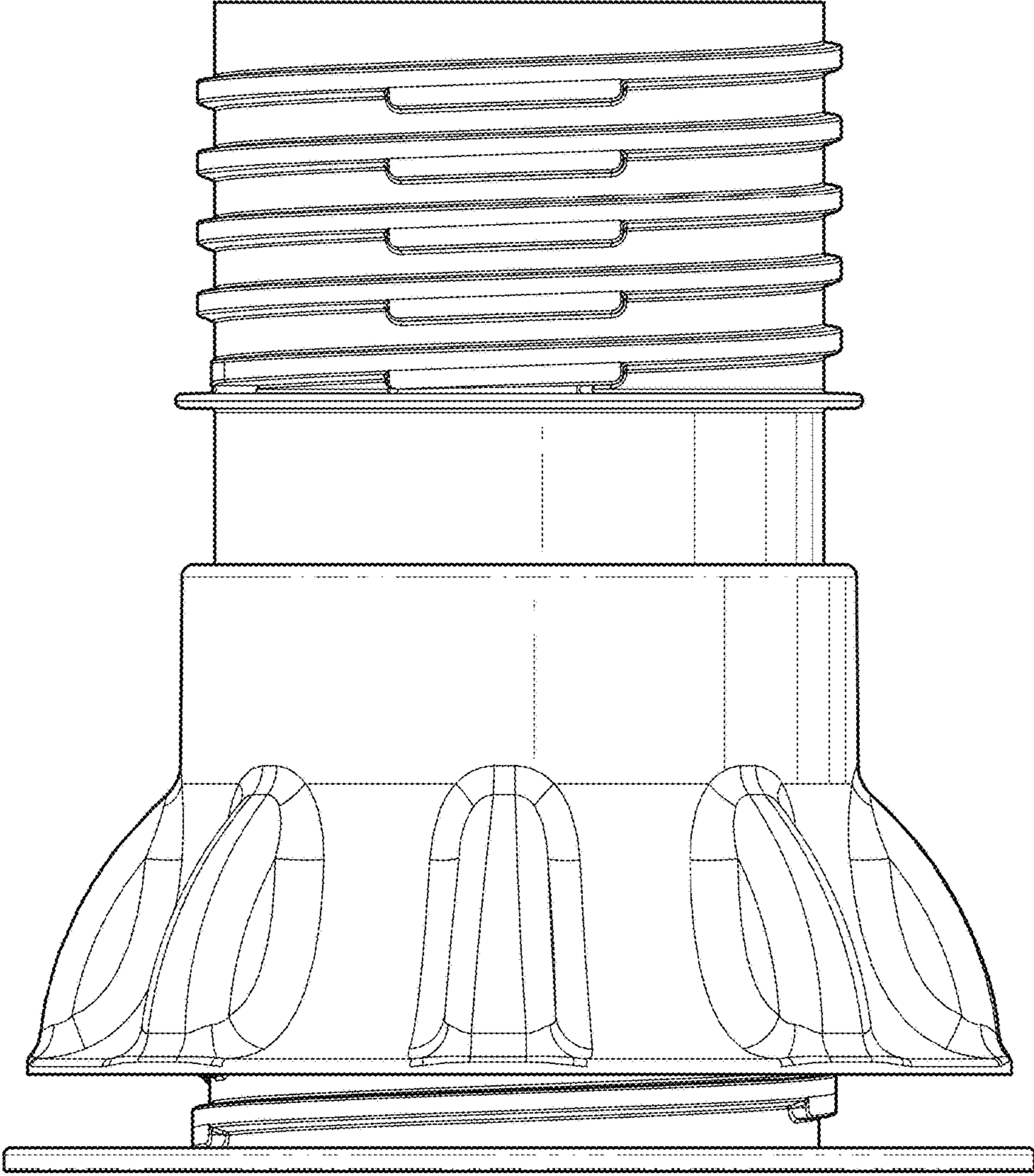


FIG. 4

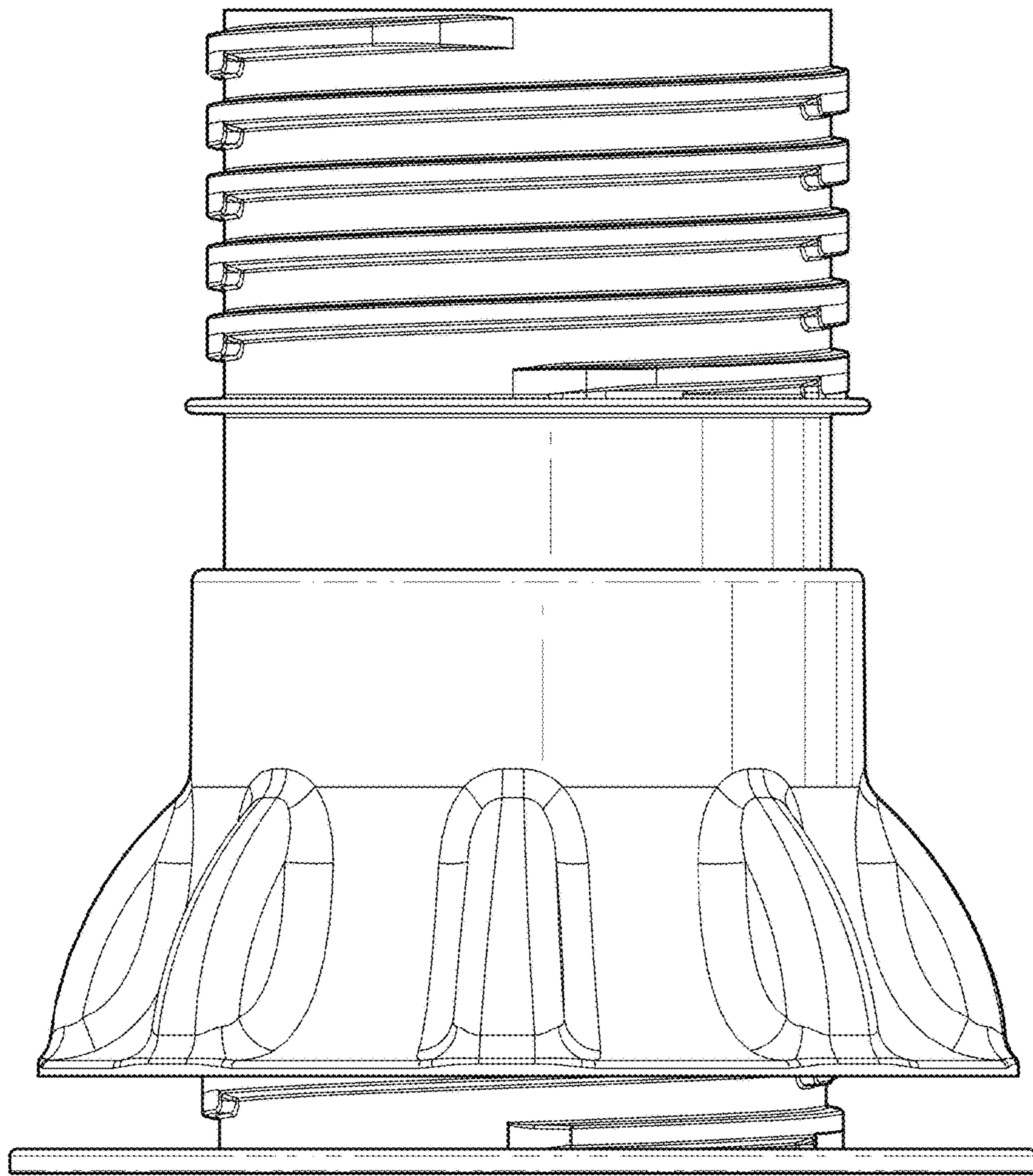


FIG. 5

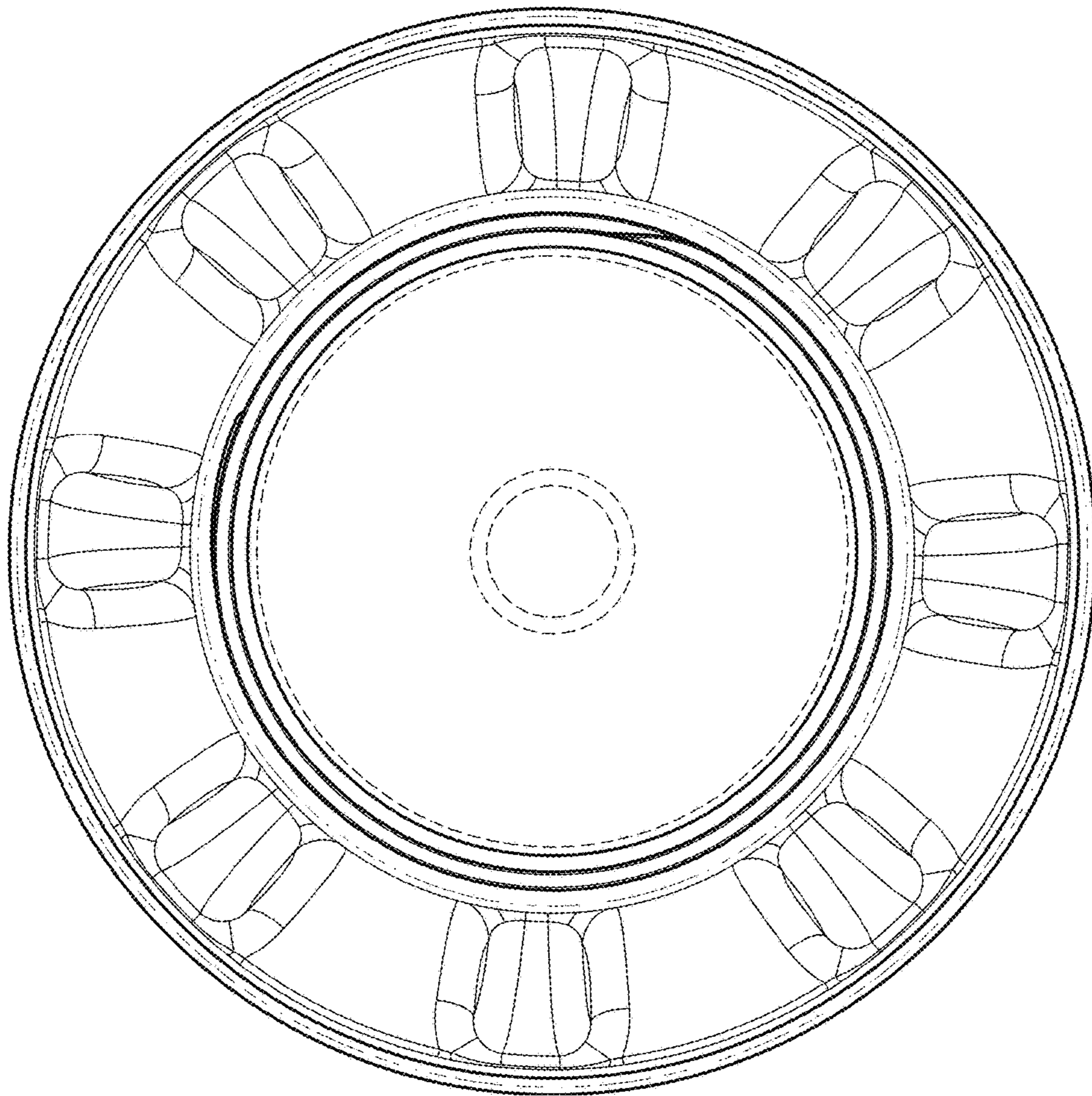


FIG. 6

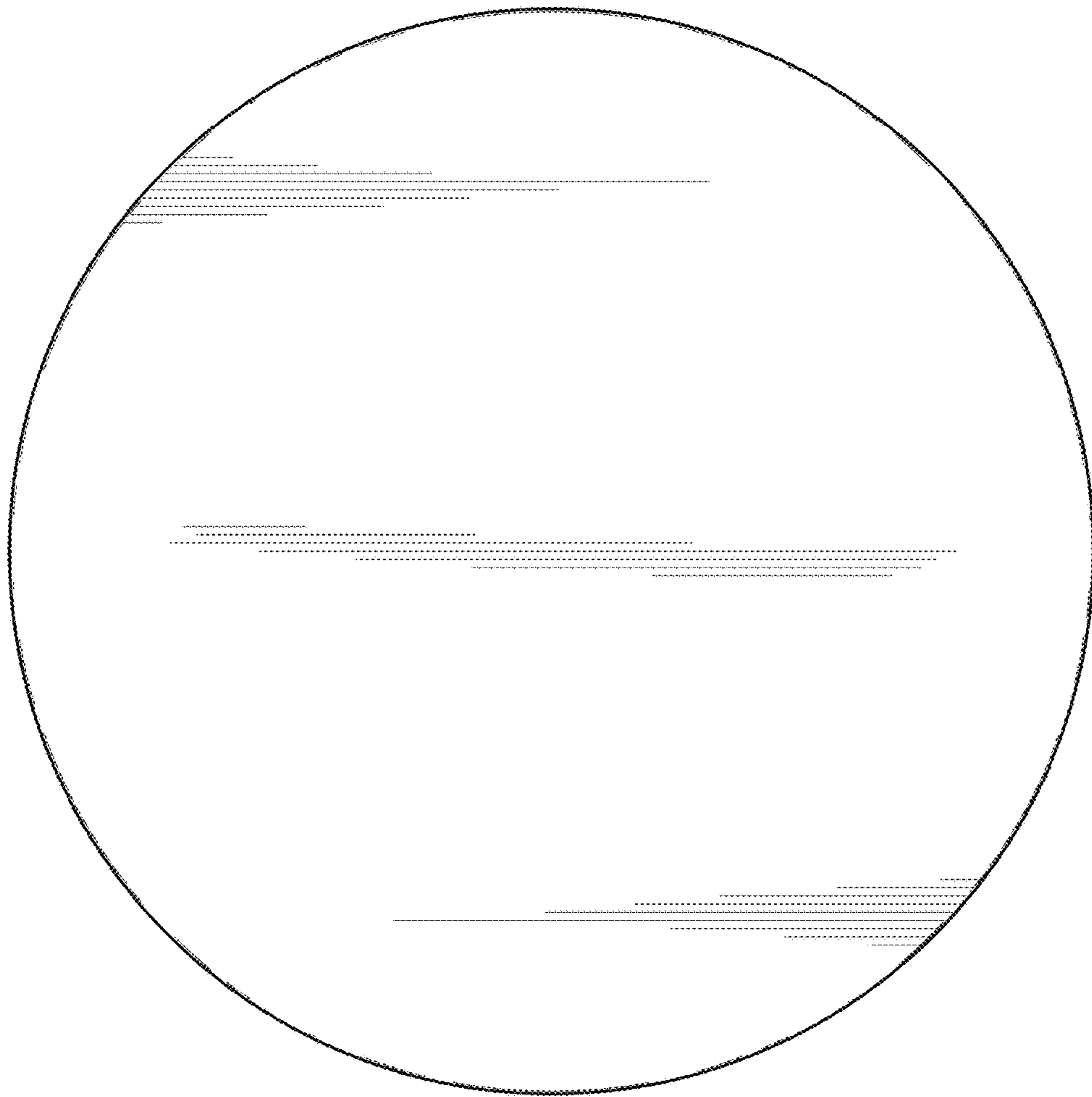


FIG. 7

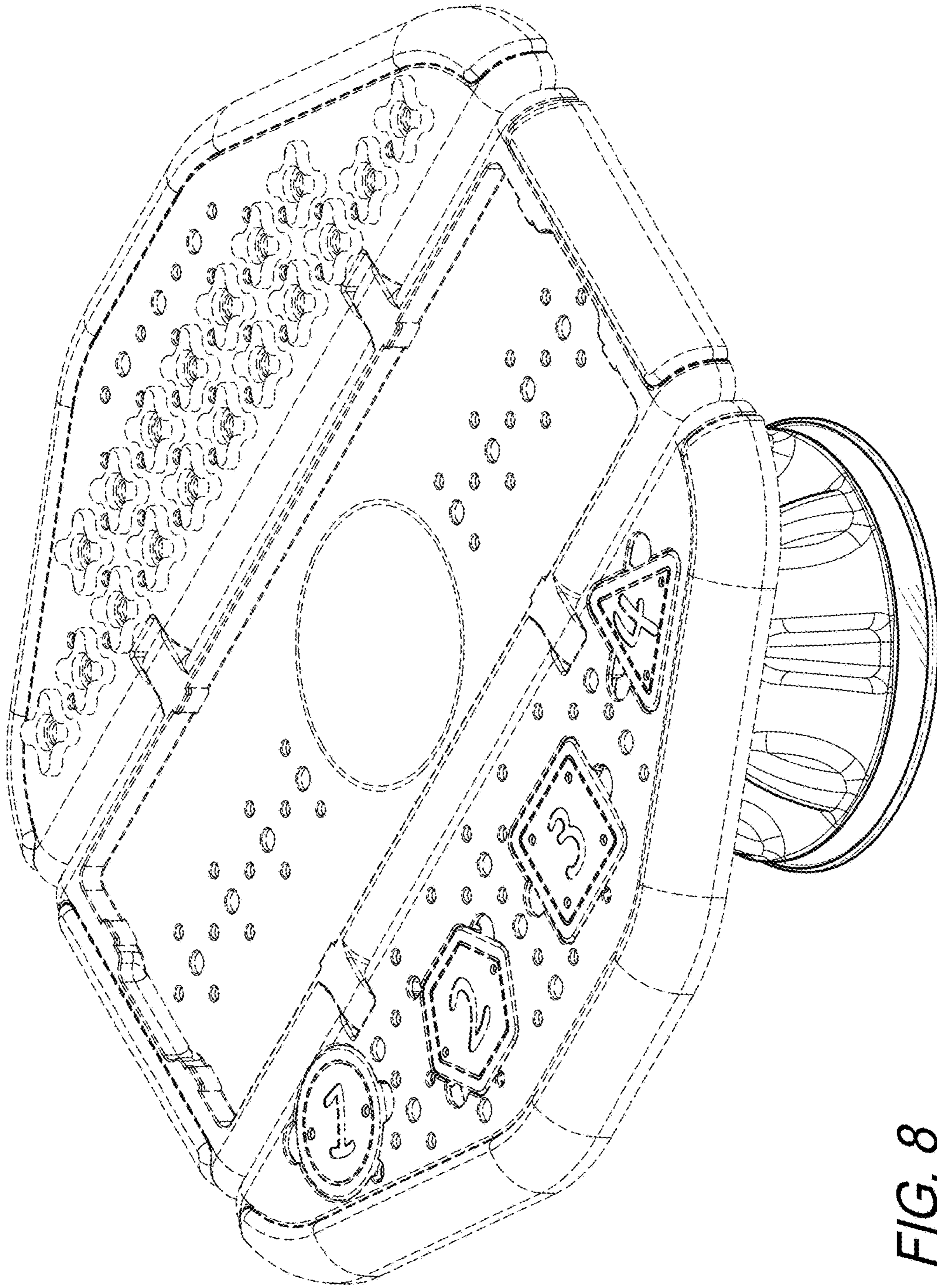


FIG. 8

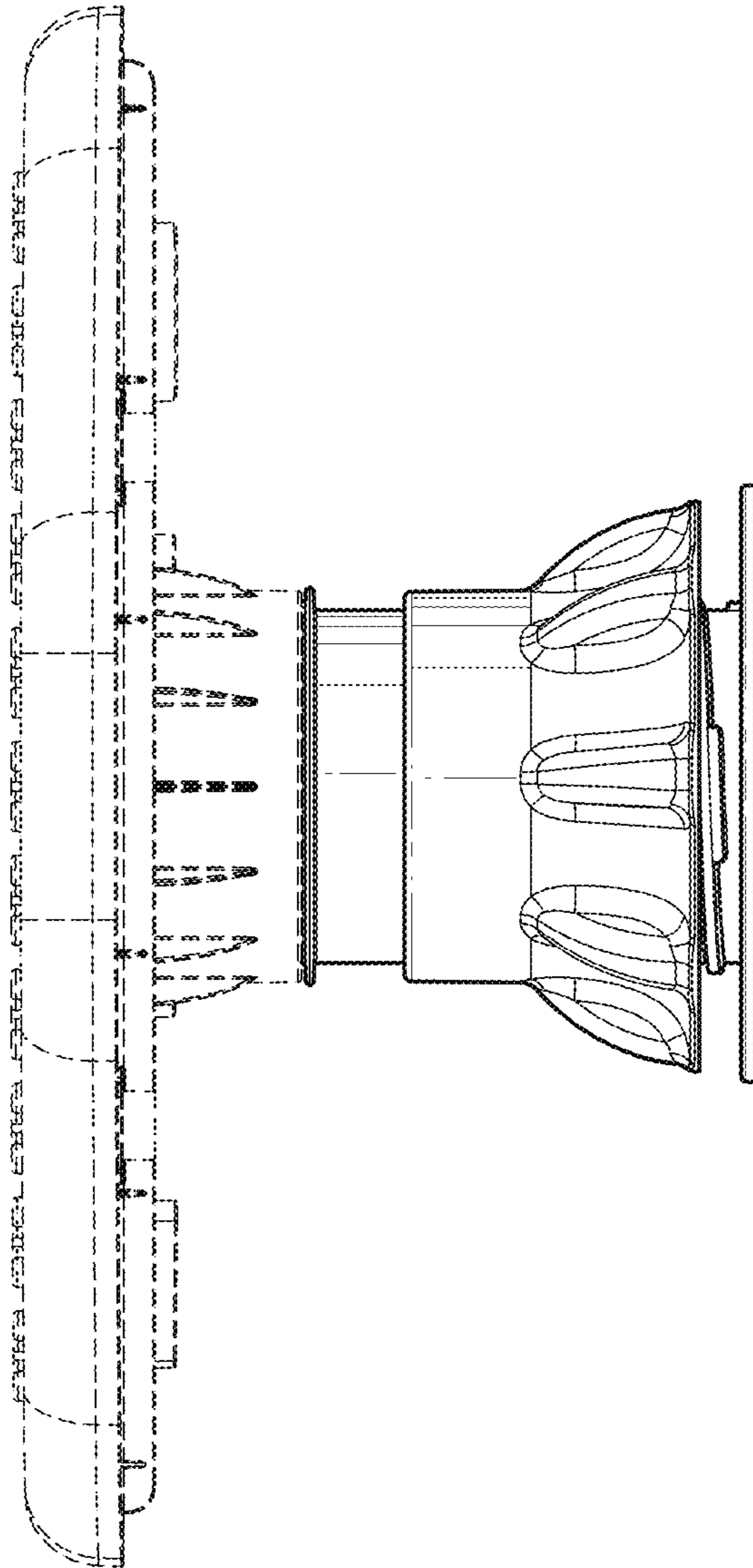


FIG. 9

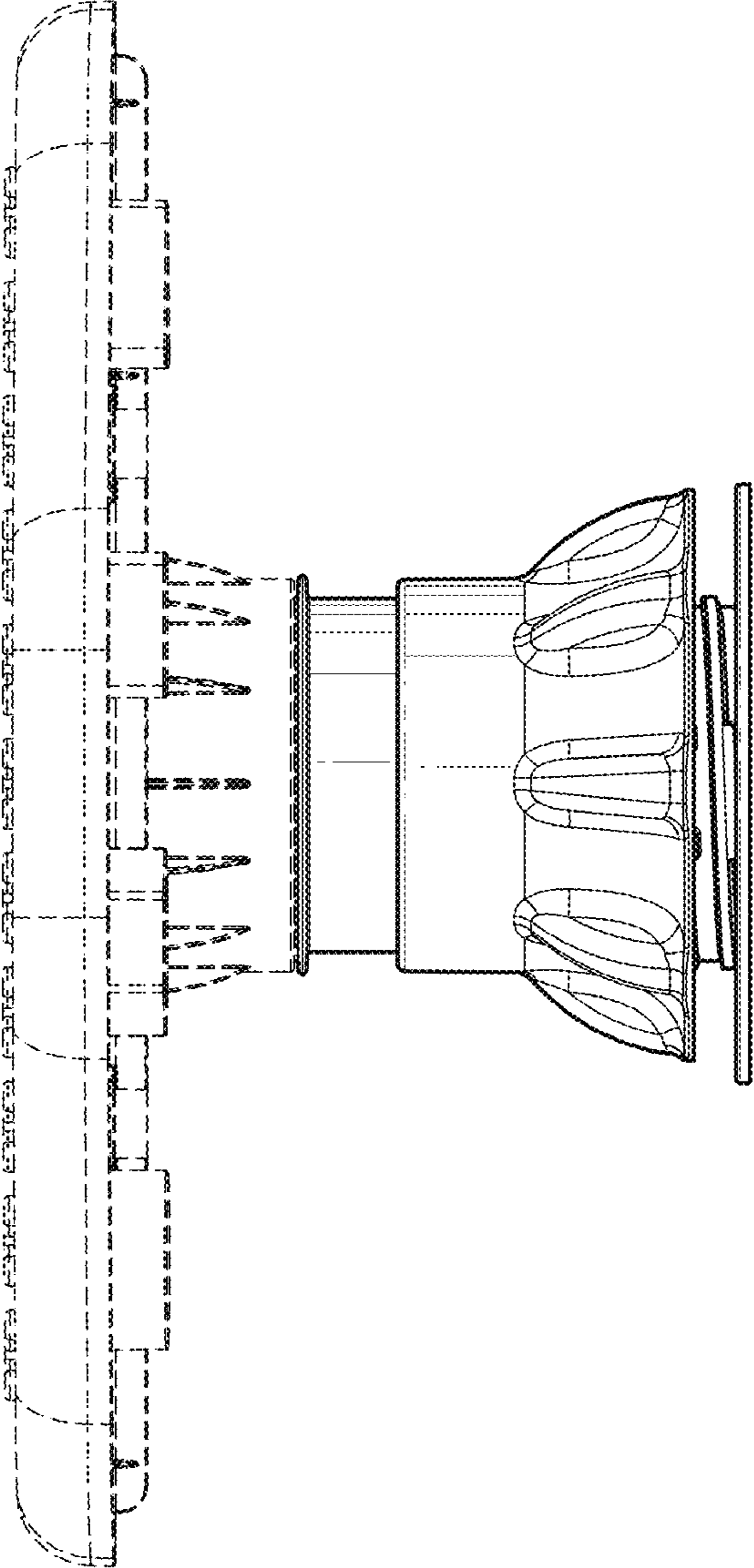


FIG. 10

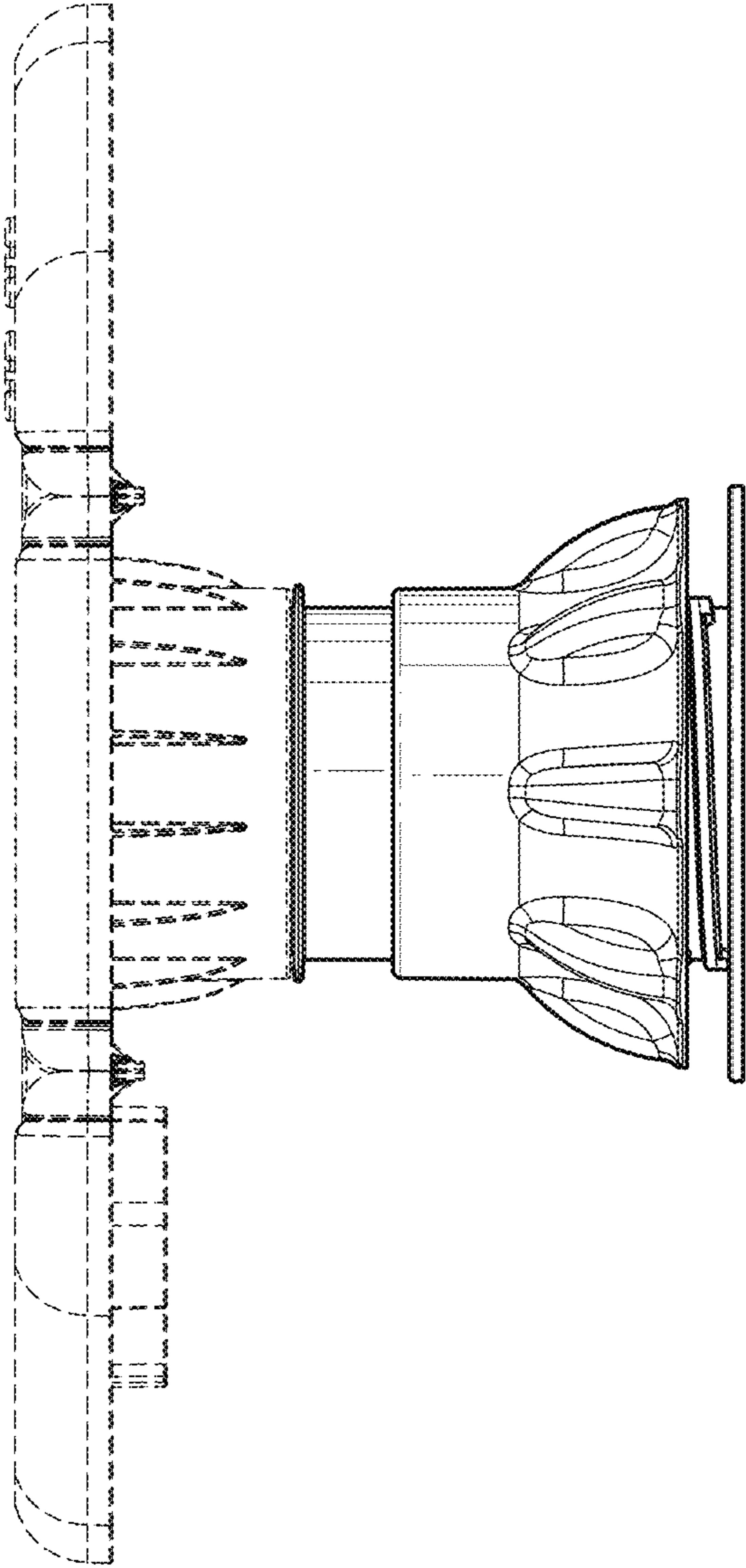


FIG. 11

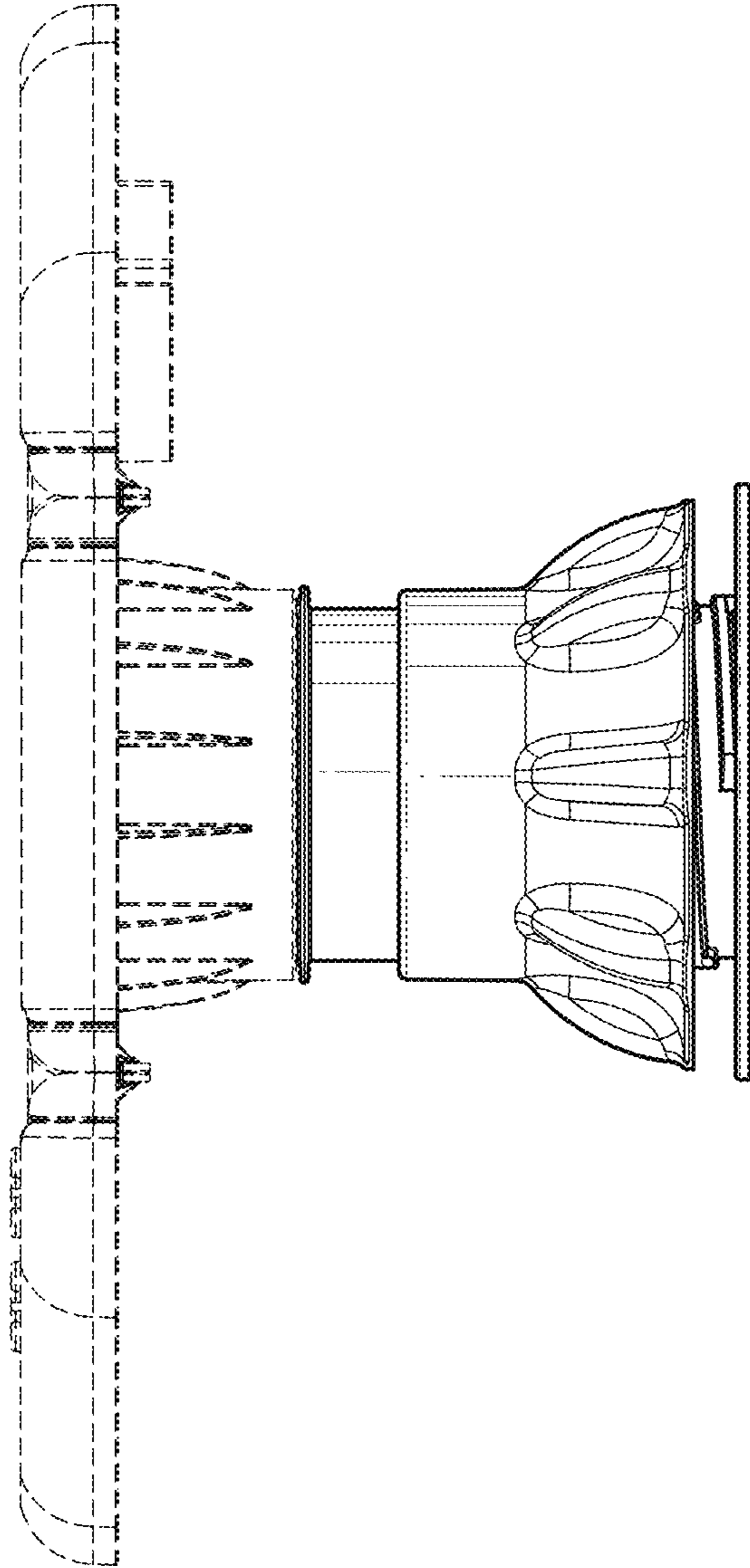


FIG. 12

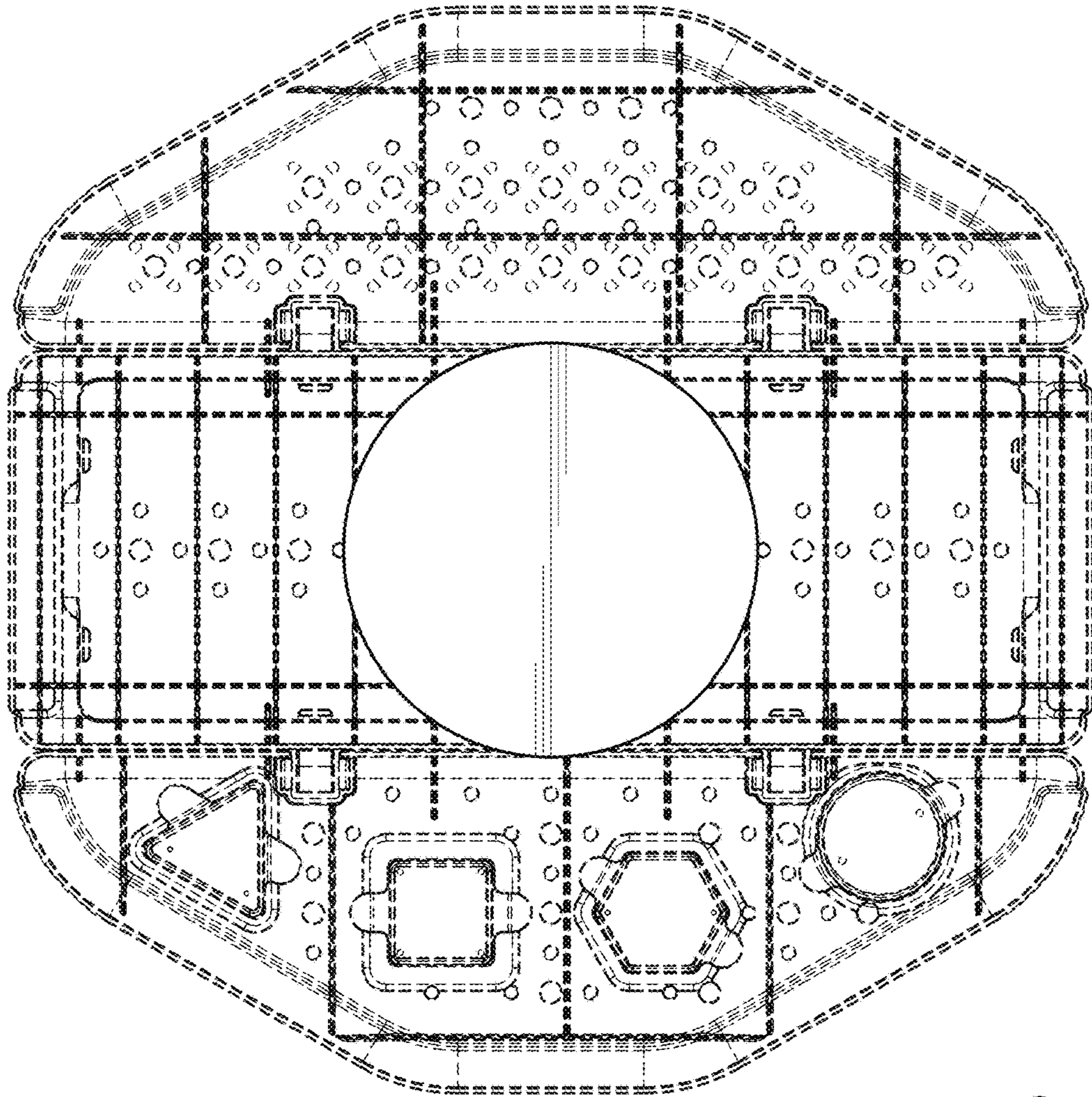


FIG. 13

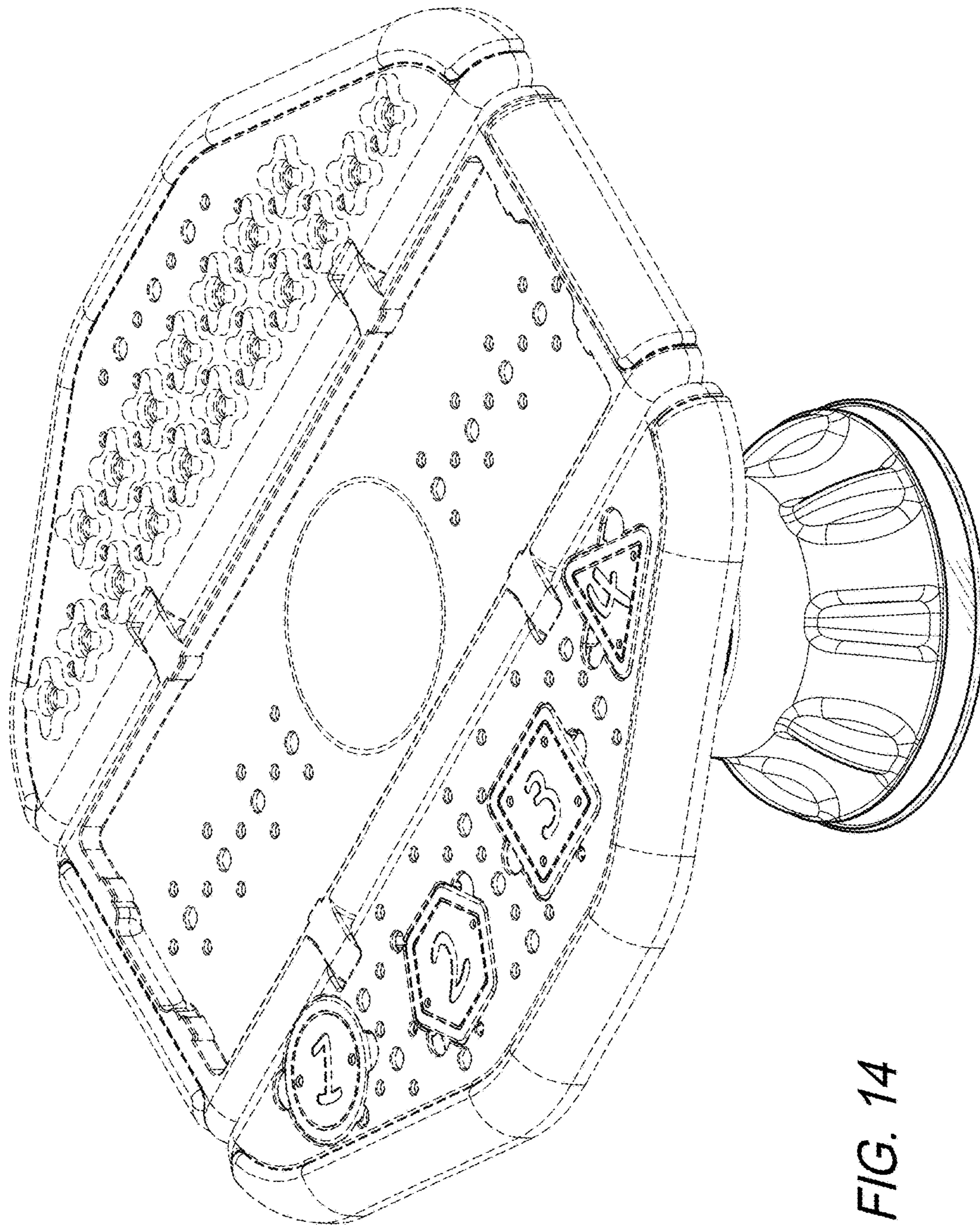


FIG. 14

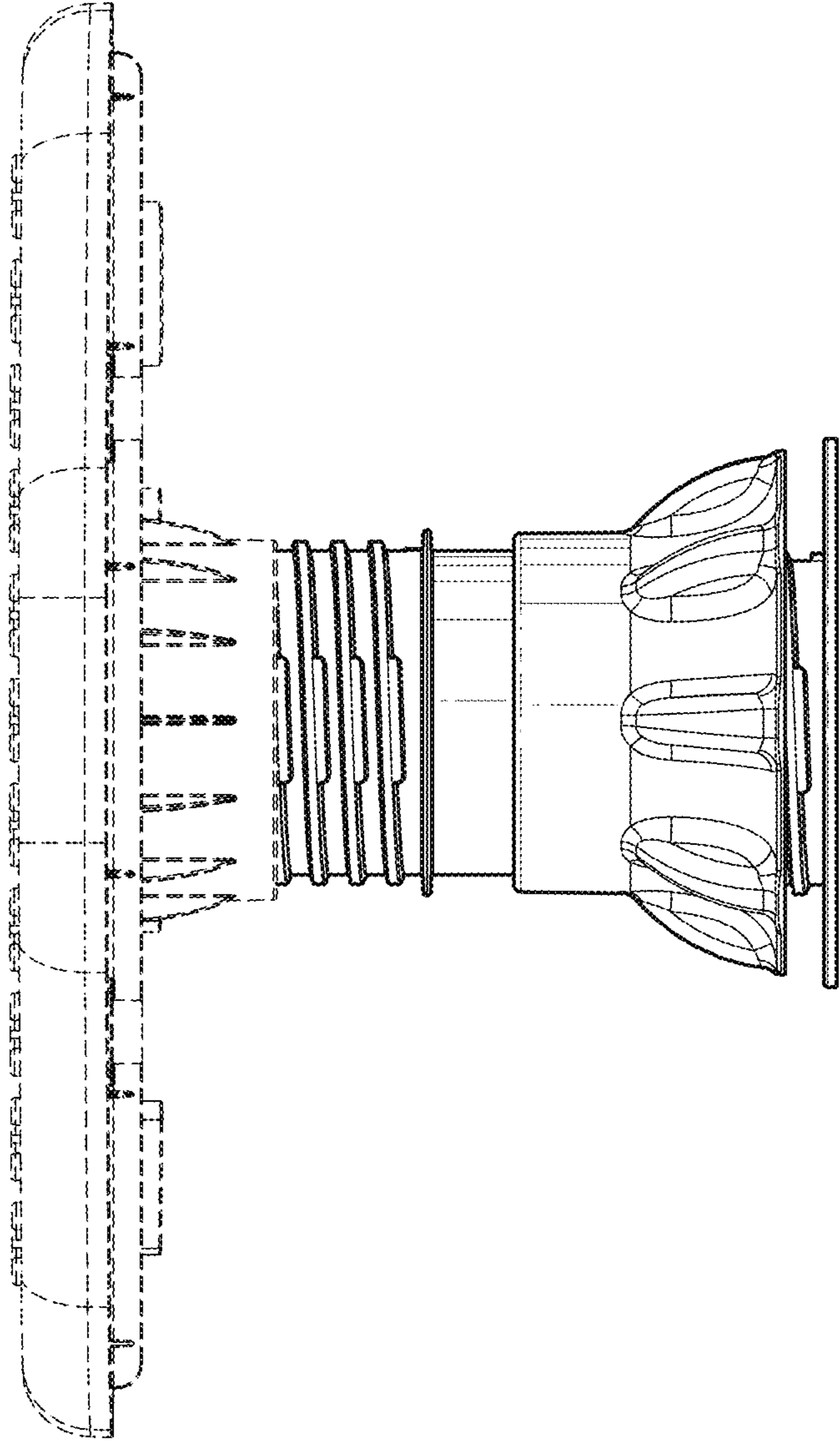


FIG. 15

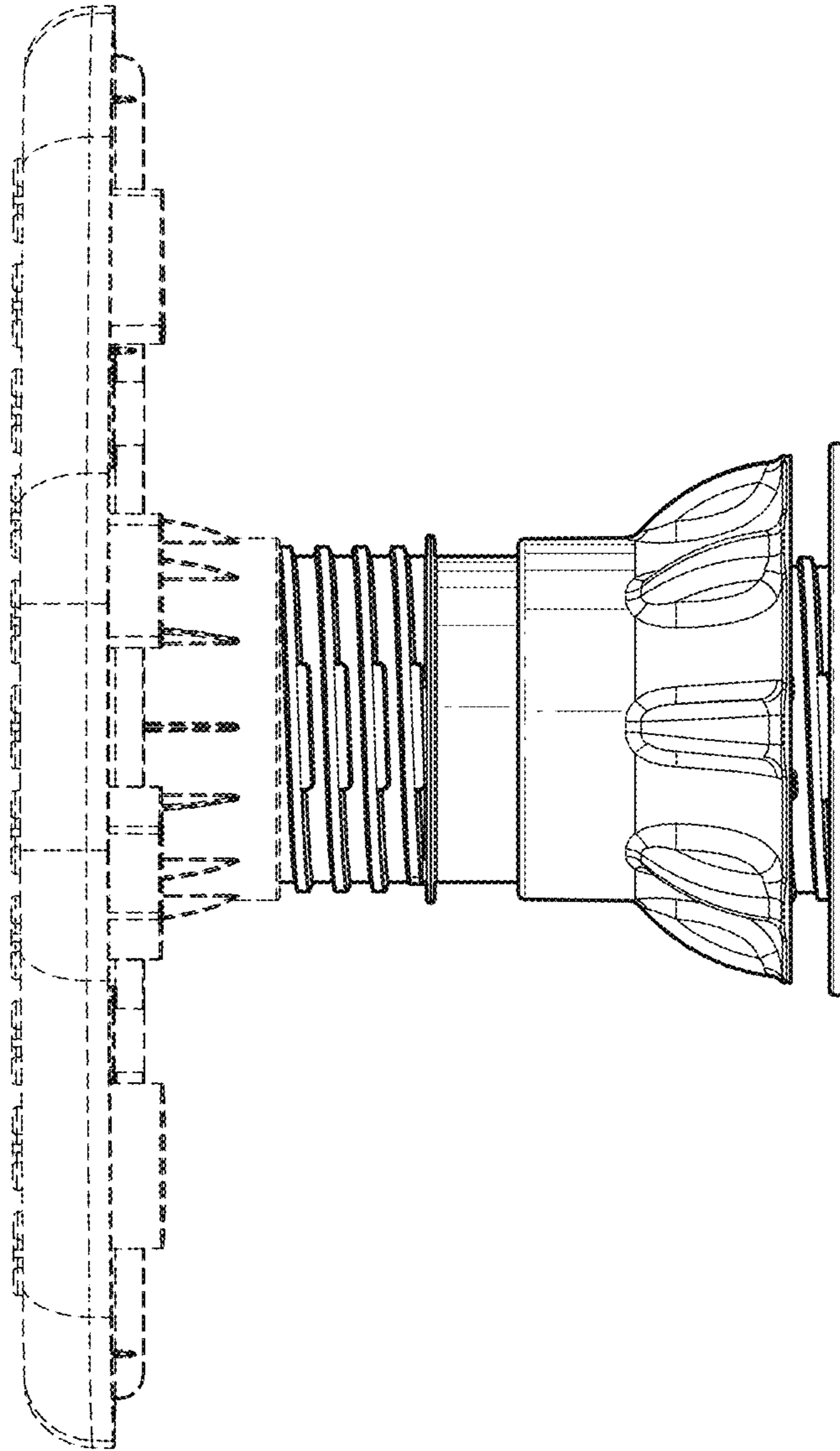


FIG. 16

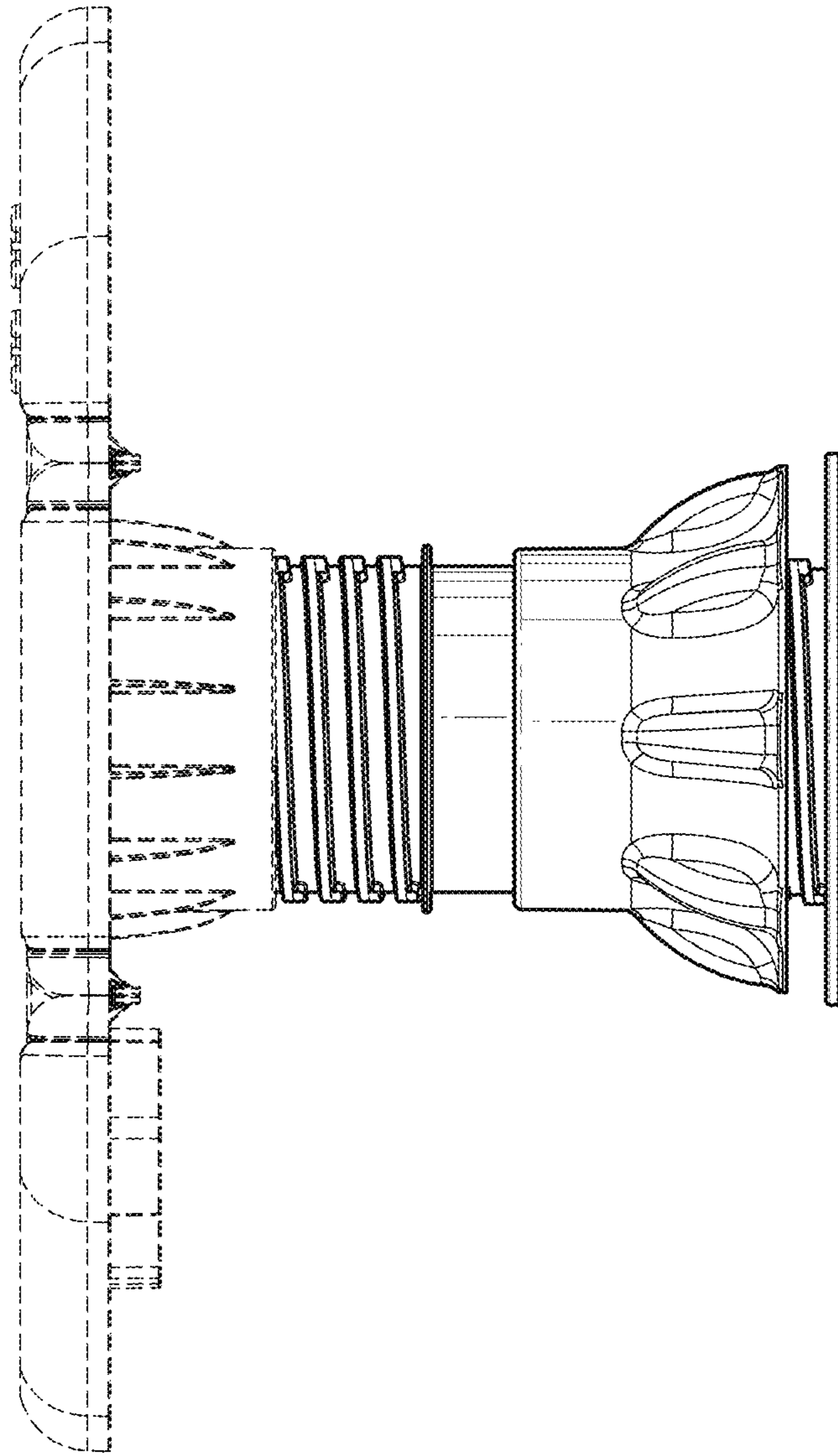


FIG. 17

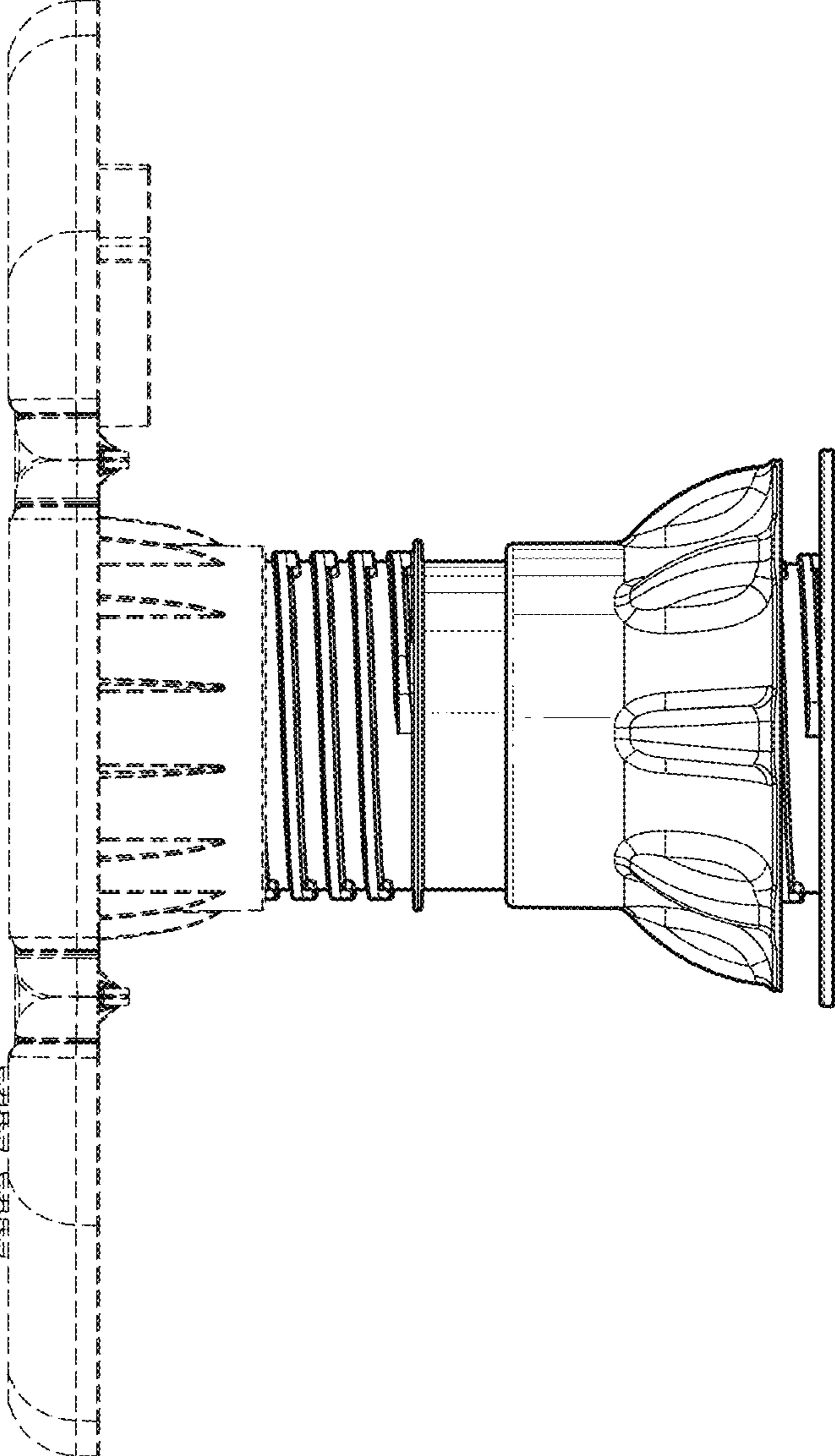


FIG. 18

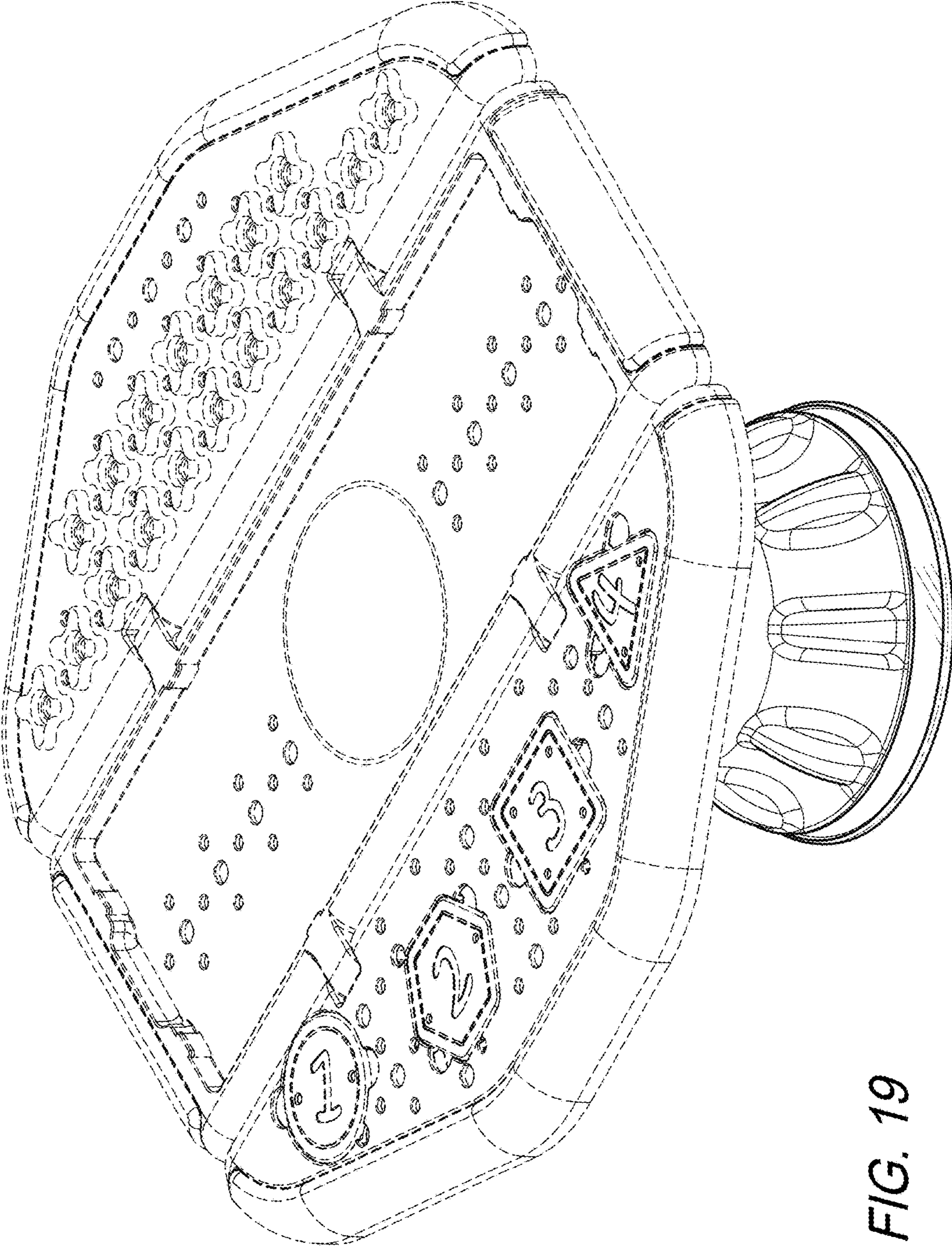


FIG. 19

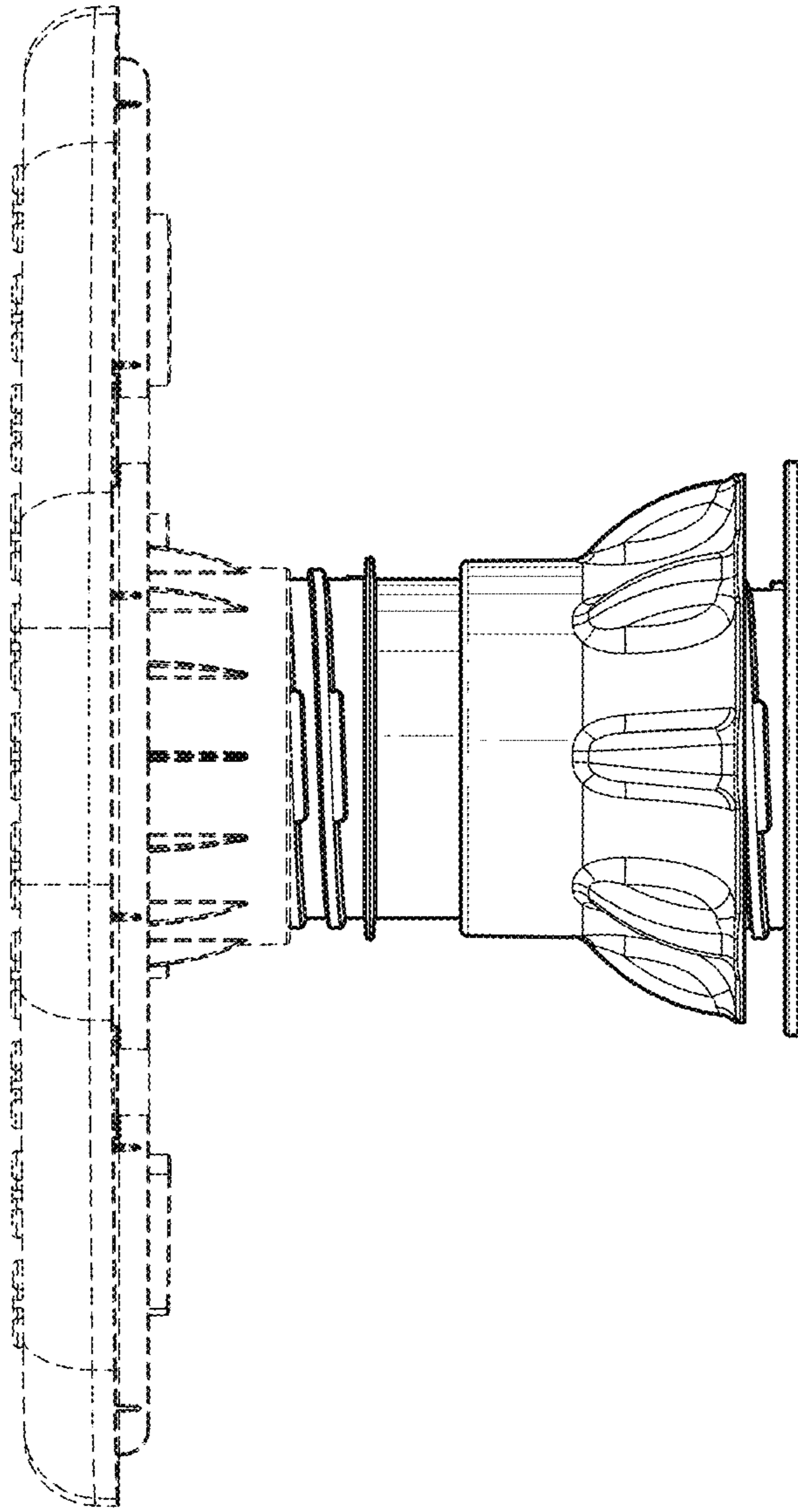


FIG. 20

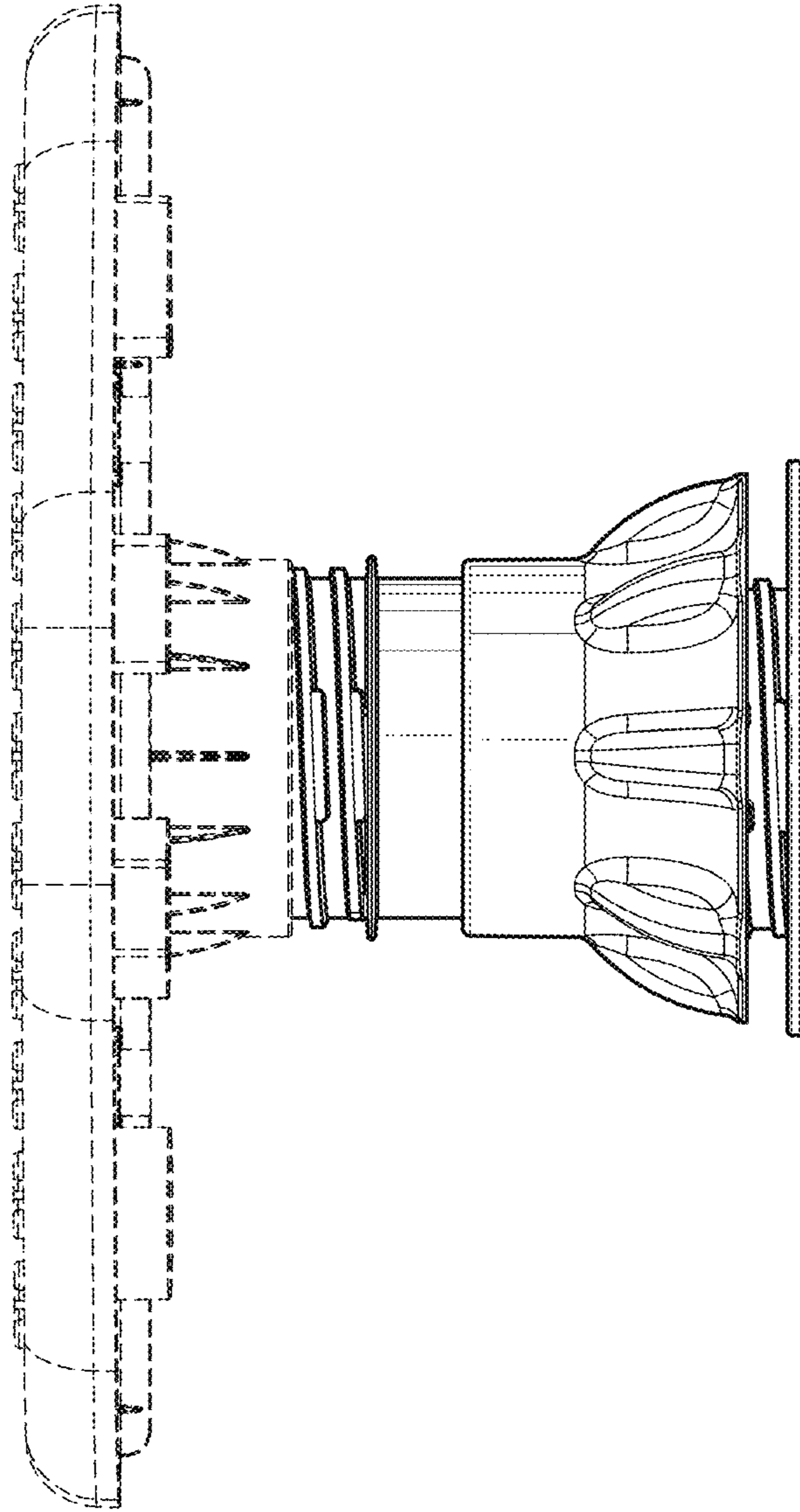


FIG. 21

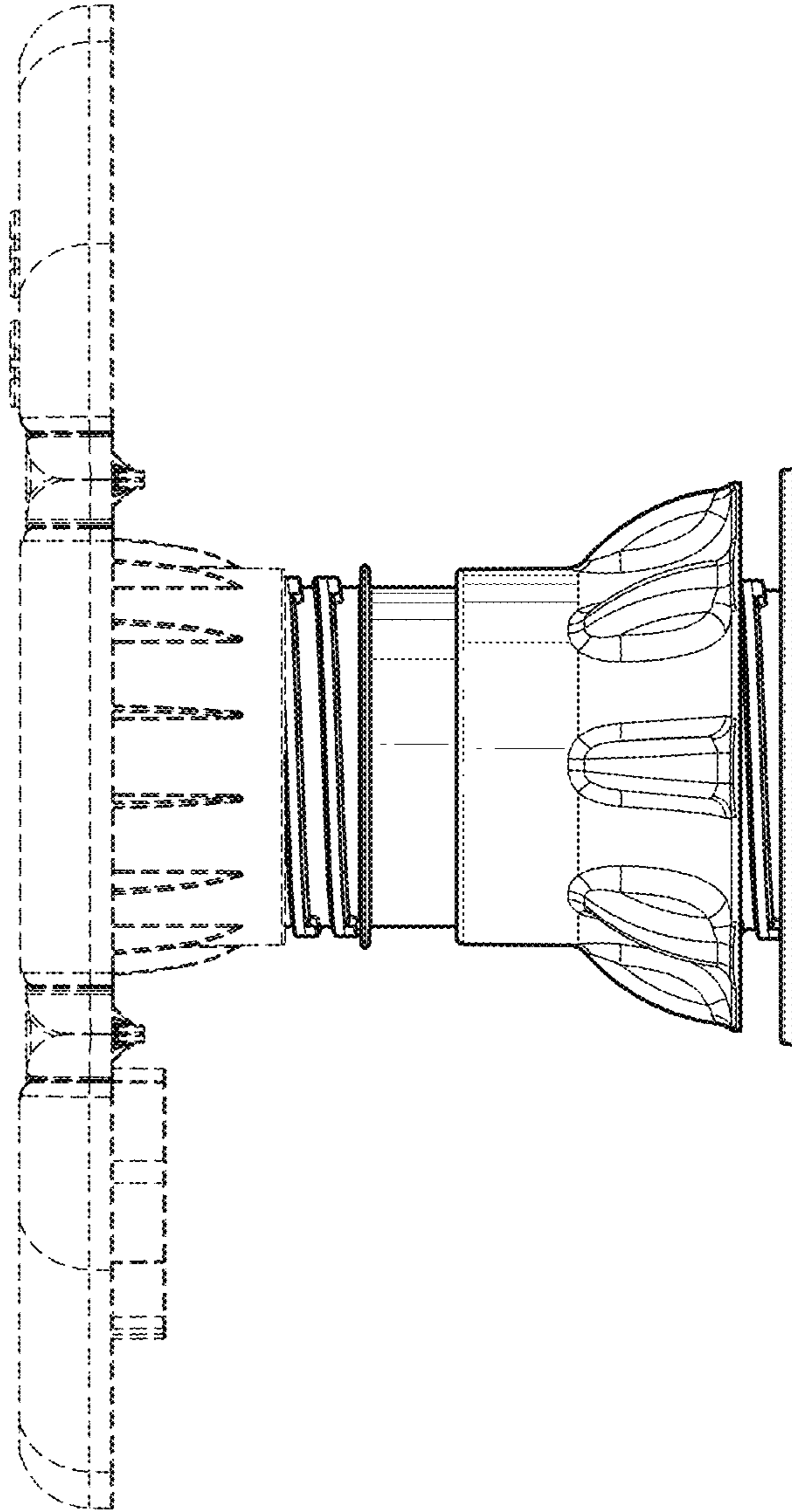


FIG. 22

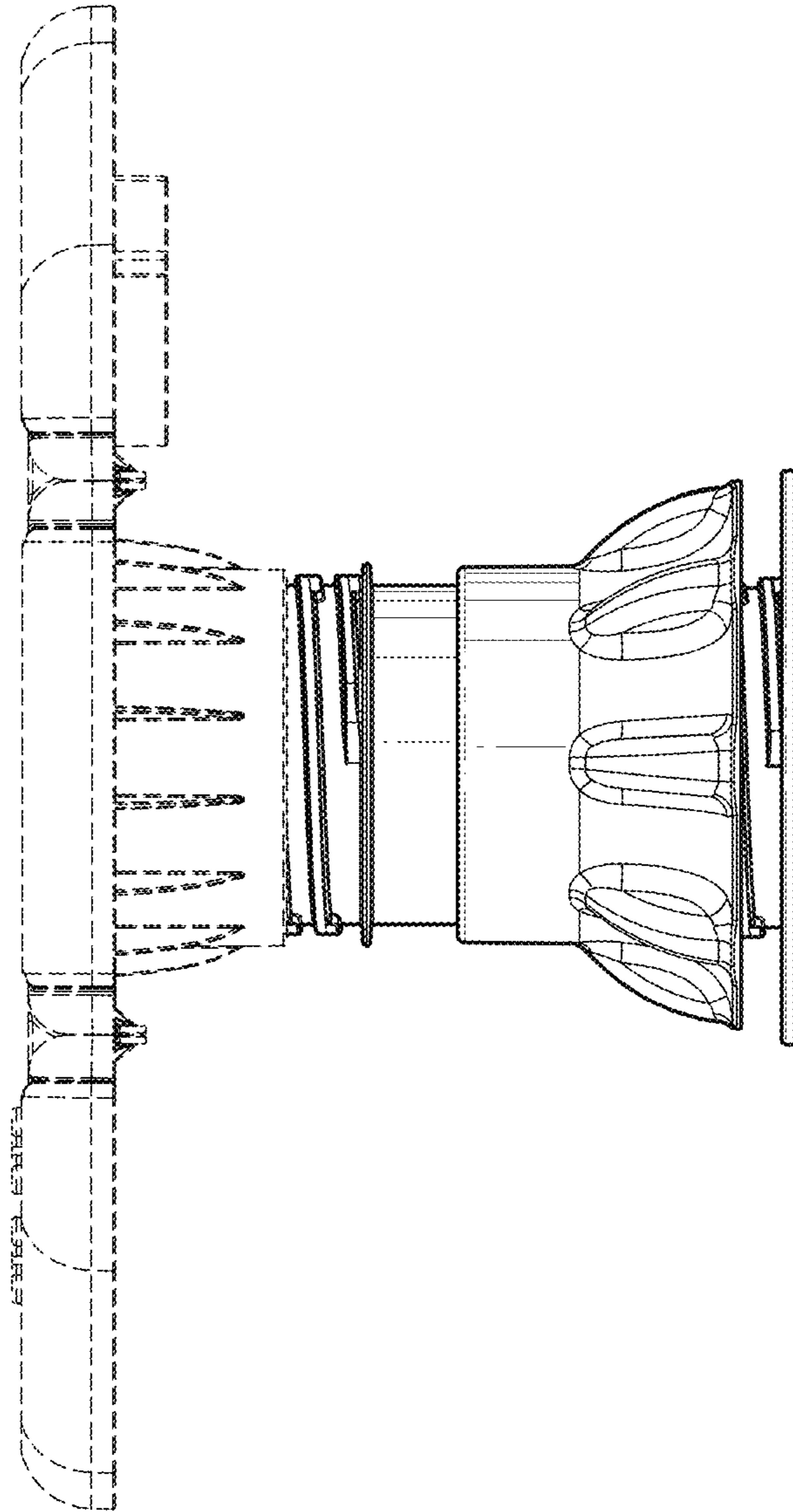


FIG. 23