



US00D810207S

(12) **United States Design Patent**
Jasper

(10) **Patent No.:** **US D810,207 S**
(45) **Date of Patent:** **** Feb. 13, 2018**

(54) **TOY PANEL**

(71) Applicant: **Robert Jasper**, Menomonie, WI (US)

(72) Inventor: **Robert Jasper**, Menomonie, WI (US)

(**) Term: **15 Years**

(21) Appl. No.: **29/586,133**

(22) Filed: **Dec. 1, 2016**

(51) **LOC (11) Cl.** **21-01**

(52) **U.S. Cl.**
USPC **D21/491**

(58) **Field of Classification Search**
USPC D21/478, 479, 484, 485–505; 446/69,
446/85, 102–128; 434/208, 259, 403;
273/153, 156, 160; 428/174
CPC A63H 33/00; A63H 33/04; A63H 33/06;
A63H 33/08; A63H 33/10; A63H 33/12;
A63H 33/14; A63F 9/08; A63F 9/12;
G09B 1/36

See application file for complete search history.

(56) **References Cited**

U.S. PATENT DOCUMENTS

D233,678 S *	11/1974	Harvey	D21/491
D285,222 S *	8/1986	Nakata	D21/490
D290,628 S *	6/1987	Dideriksen	446/128
D353,866 S *	12/1994	Houry	D21/490
D423,606 S *	4/2000	Glickman	D21/491
D467,286 S *	12/2002	Haas	D21/489
D537,484 S *	2/2007	Ganderton	D21/491
D546,902 S *	7/2007	Ganderton	D21/491

(Continued)

Primary Examiner — Cynthia M Chin

(74) *Attorney, Agent, or Firm* — Anthony J. Bourget

(57) **CLAIM**

The ornamental design for a toy panel, as shown and described.

DESCRIPTION

FIG. 1 is a top perspective view of a toy panel showing an embodiment of the design of this invention.

FIG. 2 is a top view thereof.

FIG. 3 is a bottom view thereof.

FIG. 4 is a front view thereof.

FIG. 5 is a rear view thereof.

FIG. 6 is a left side view thereof.

FIG. 7 is a right side view thereof.

FIG. 8 is a perspective view showing the toy panel of FIG. 1 interconnected with an identical environmental panel.

FIG. 9 is a perspective view showing the toy panel of FIG. 1 interconnected with an identical environmental panel.

FIG. 10 is a perspective view showing the toy panel of FIG. 1 interconnected with an identical environmental panel.

FIG. 11 is a perspective view showing the toy panel of FIG. 1 interconnected with identical environmental panels.

FIG. 12 is a perspective view of a toy panel, showing an alternative embodiment of the design.

FIG. 13 is a top view of the embodiment shown in FIG. 12.

FIG. 14 is a bottom view of the embodiment shown in FIG. 12.

FIG. 15 is a front view of the embodiment shown in FIG. 12.

FIG. 16 is a rear view of the embodiment shown in FIG. 12.

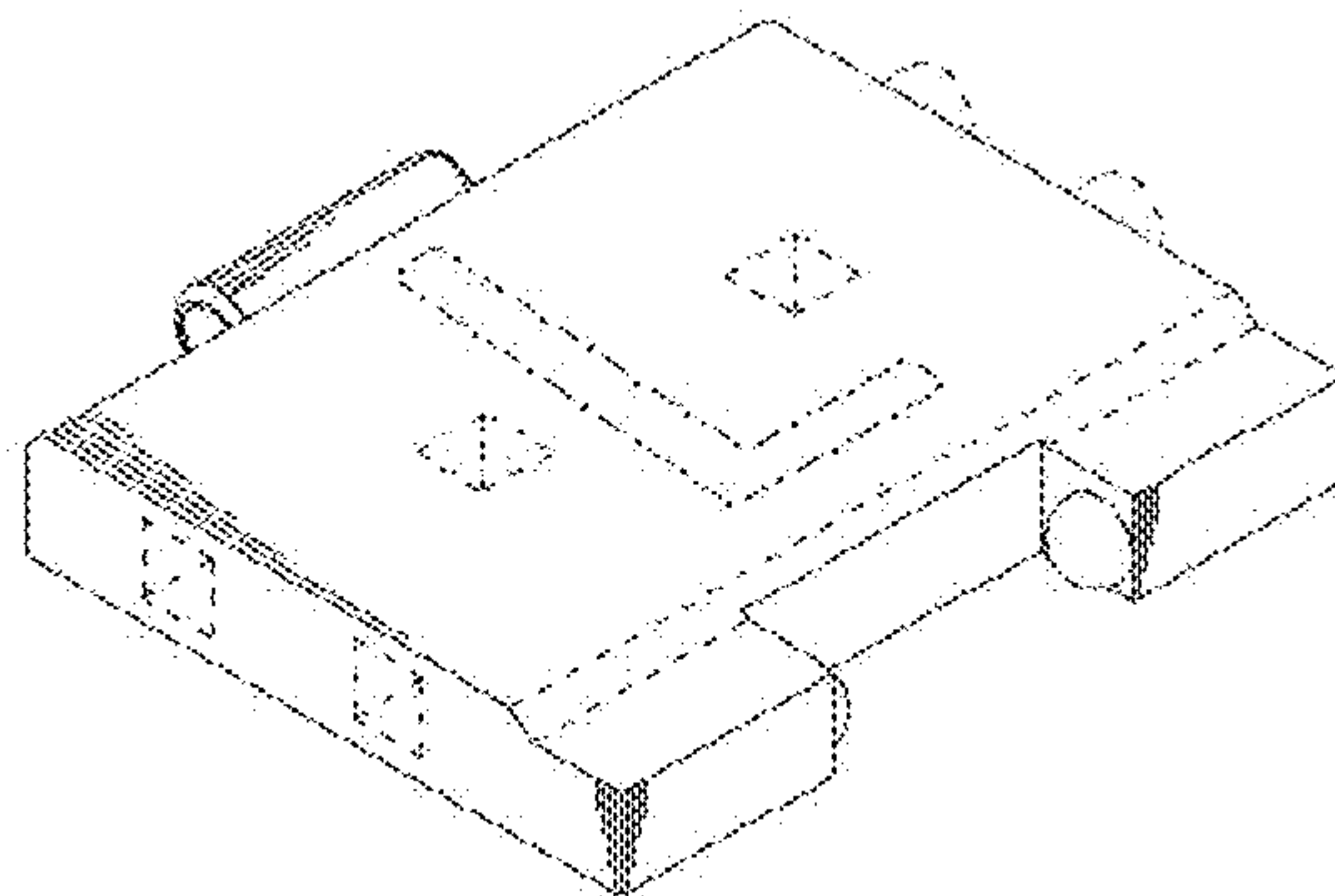
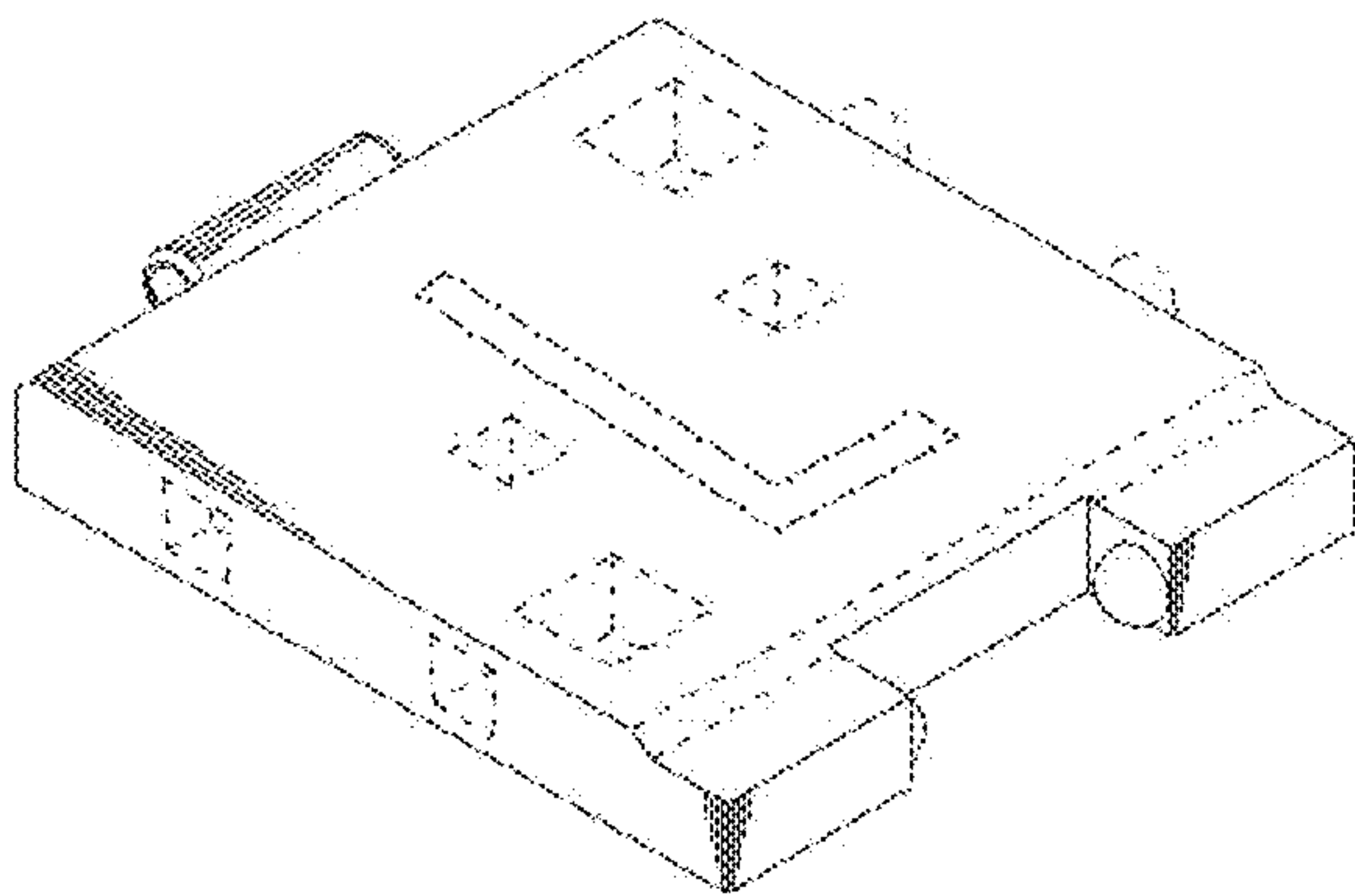
FIG. 17 is a left side view of the embodiment shown in FIG. 12; and,

FIG. 18 is a right side view of the embodiment shown in FIG. 12.

The evenly spaced broken lines depict environmental subject matter, are shown for illustrative purposes only and form no part of the claimed design.

The line-dot-line broken lines depict environmental and optional indicia and form no part of the claimed design.

1 Claim, 7 Drawing Sheets



(56)

References Cited

U.S. PATENT DOCUMENTS

D571,867 S	*	6/2008	Gasparotto	D21/489
D676,496 S	*	2/2013	Mimlitch, III	D21/485
D731,595 S	*	6/2015	Jensen	D21/491
D731,596 S	*	6/2015	Jensen	D21/491
D771,752 S	*	11/2016	Henkin	D21/404

* cited by examiner

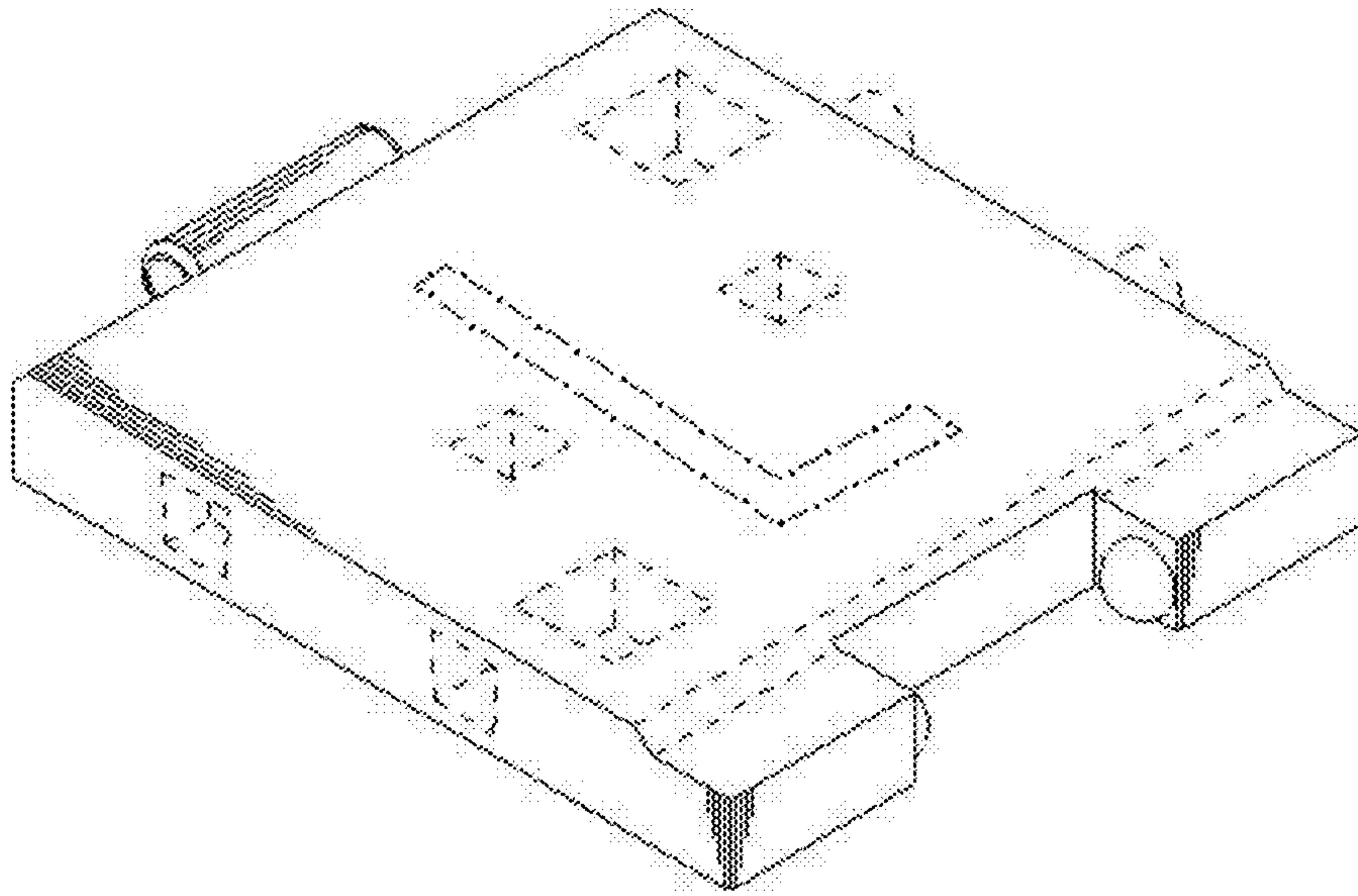


FIG. 1

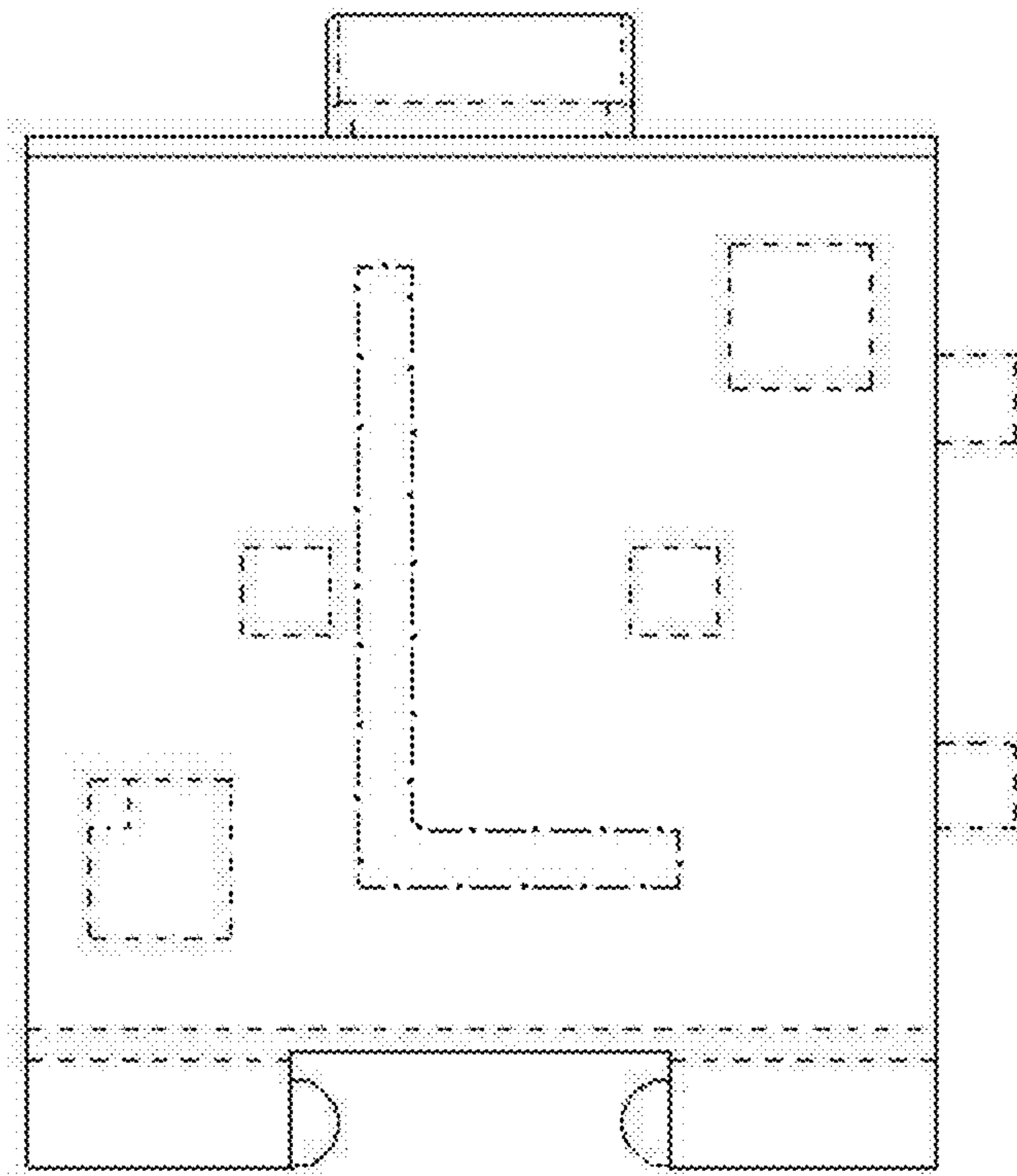


FIG. 2

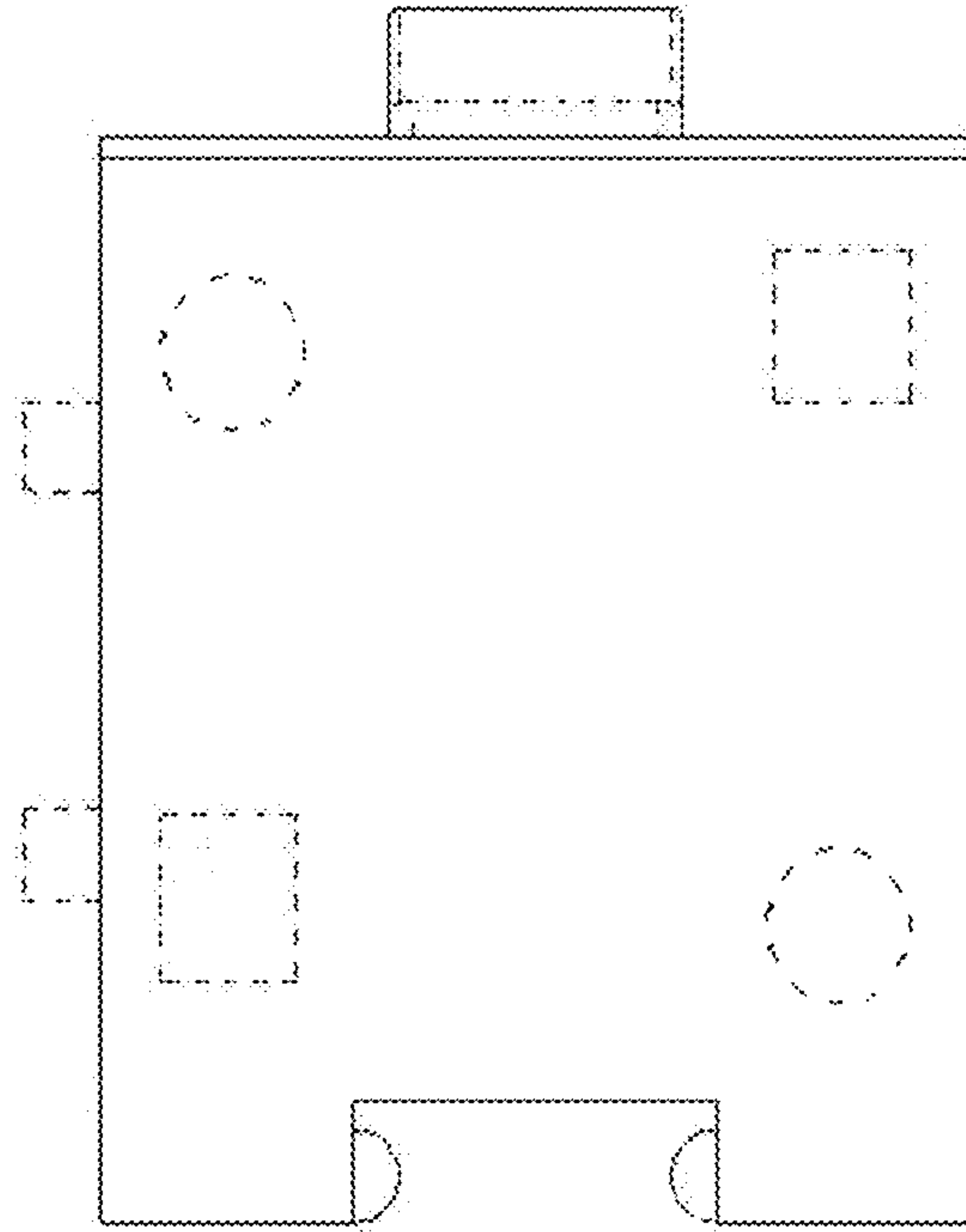


FIG. 3

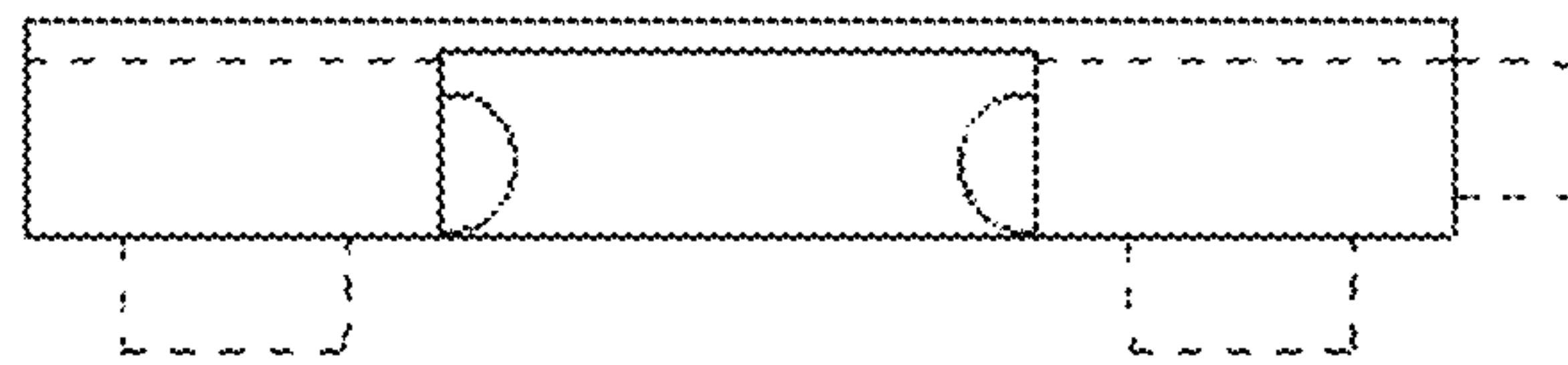


FIG. 4

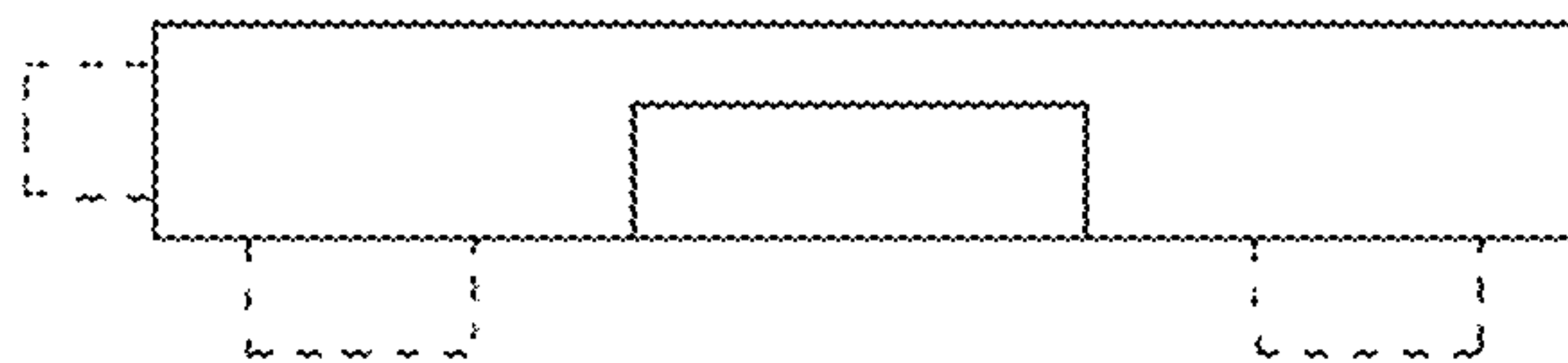


FIG. 5

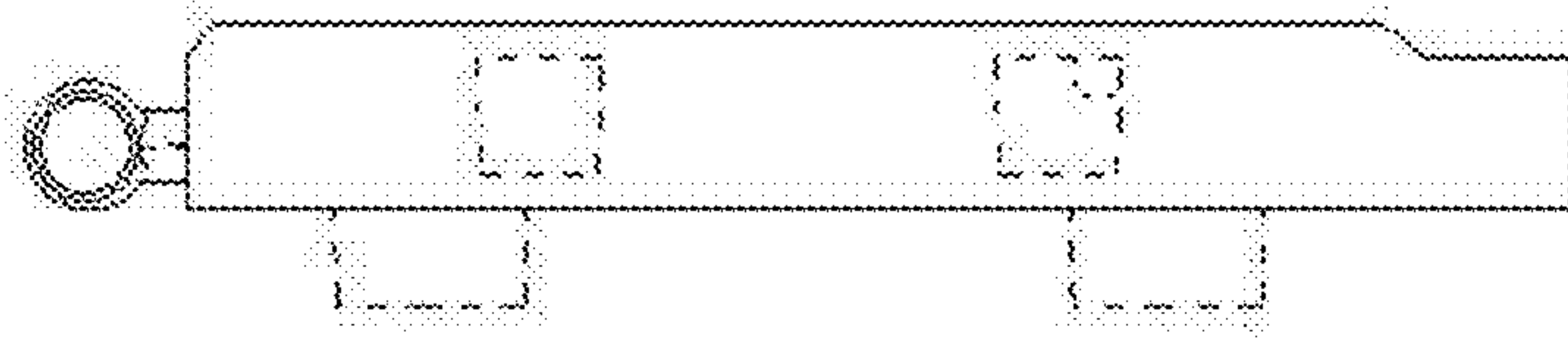


FIG. 6

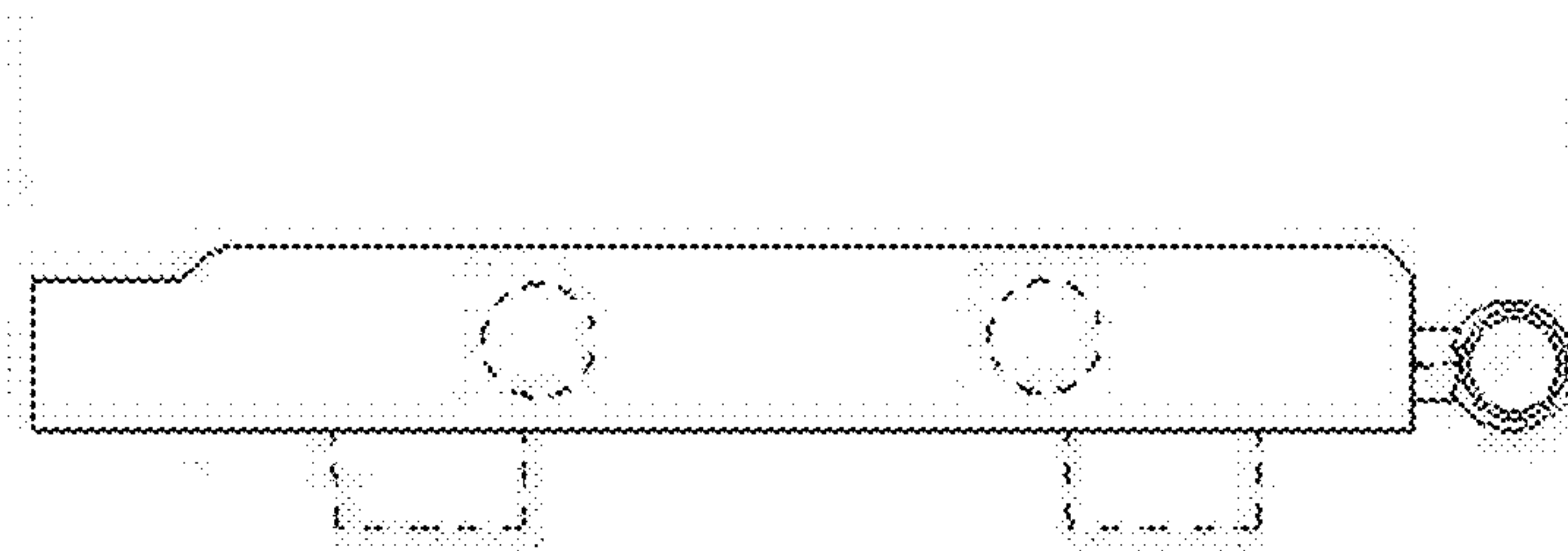


FIG. 7

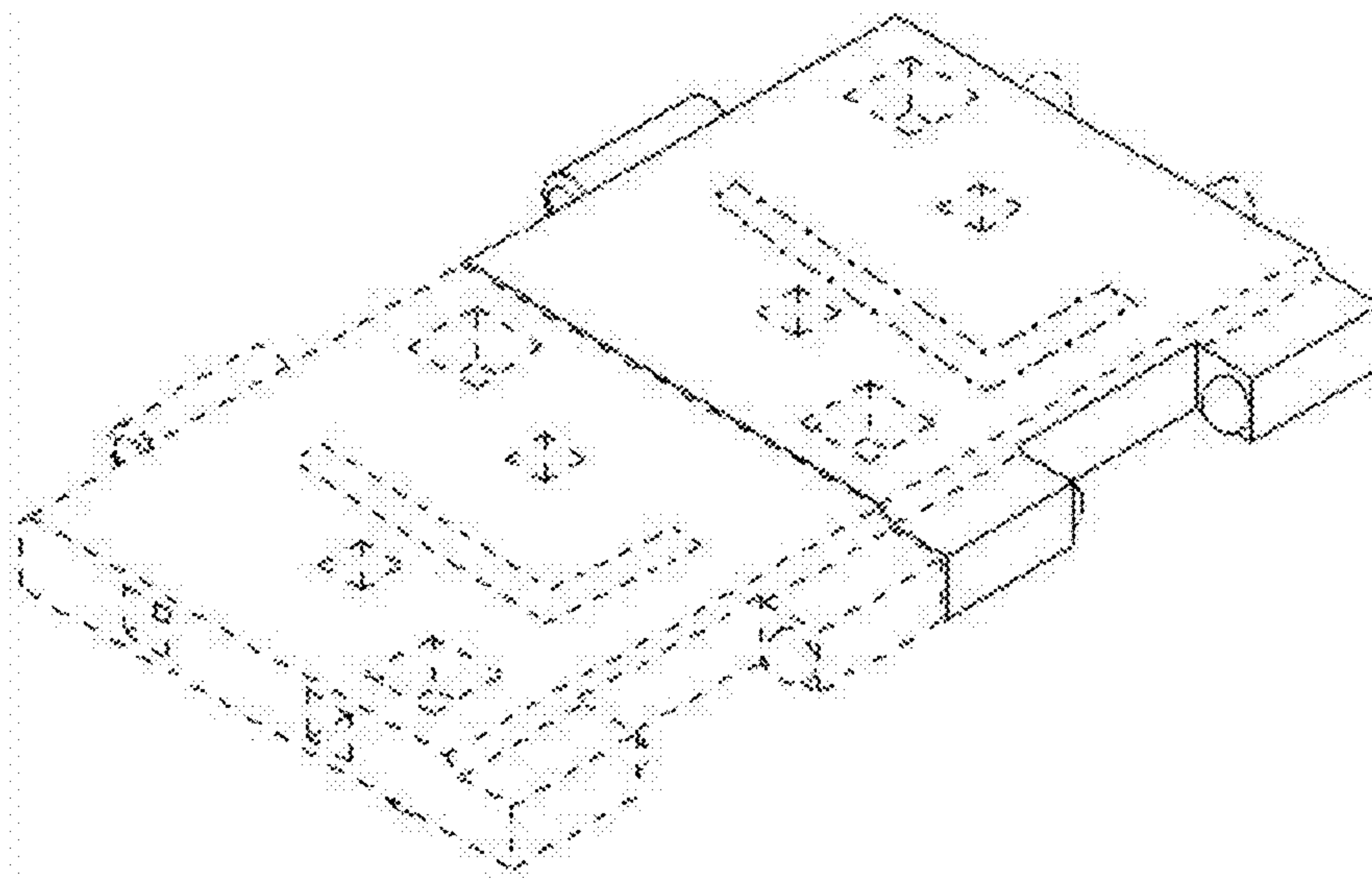


FIG. 8

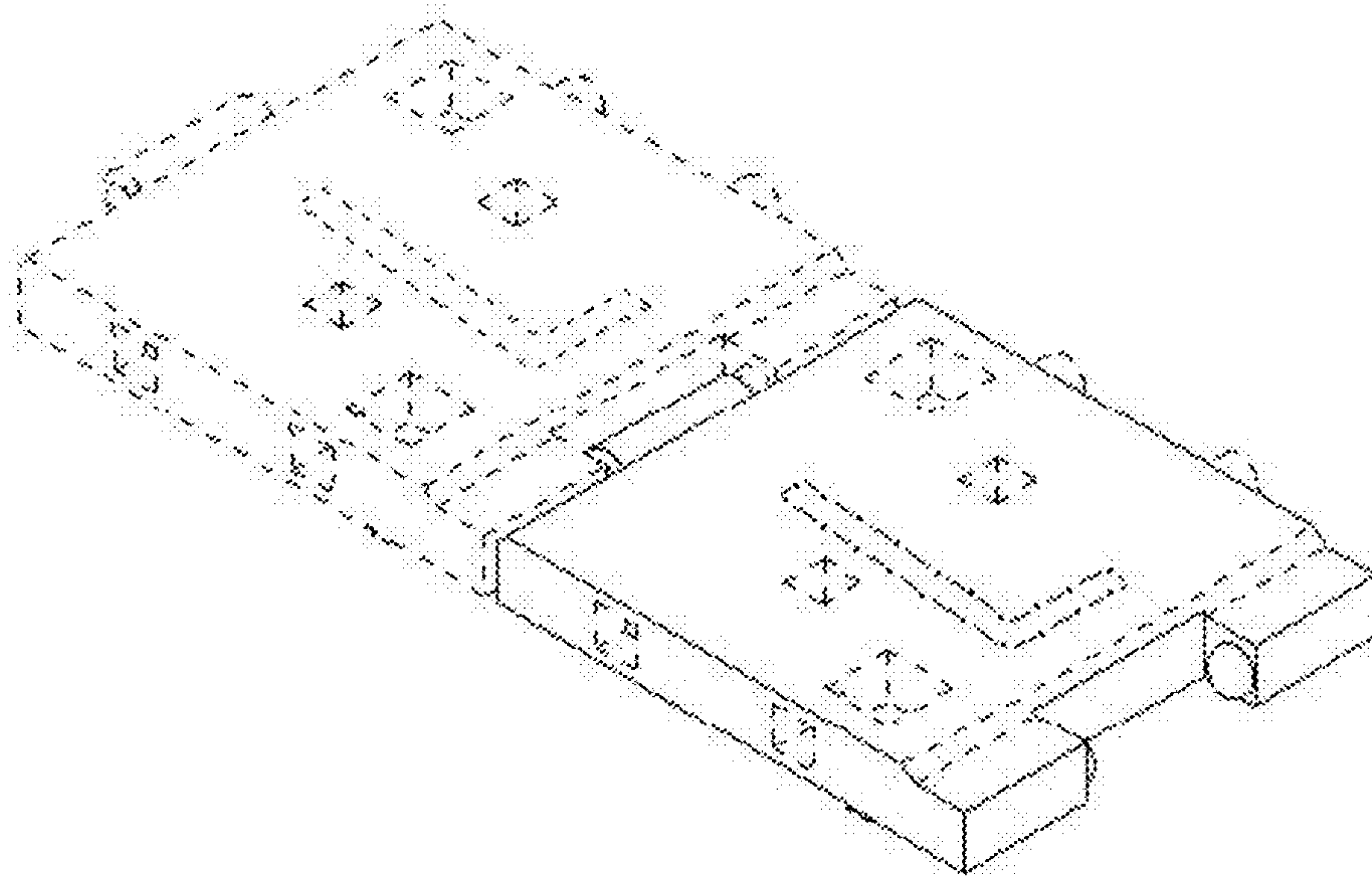


FIG. 9

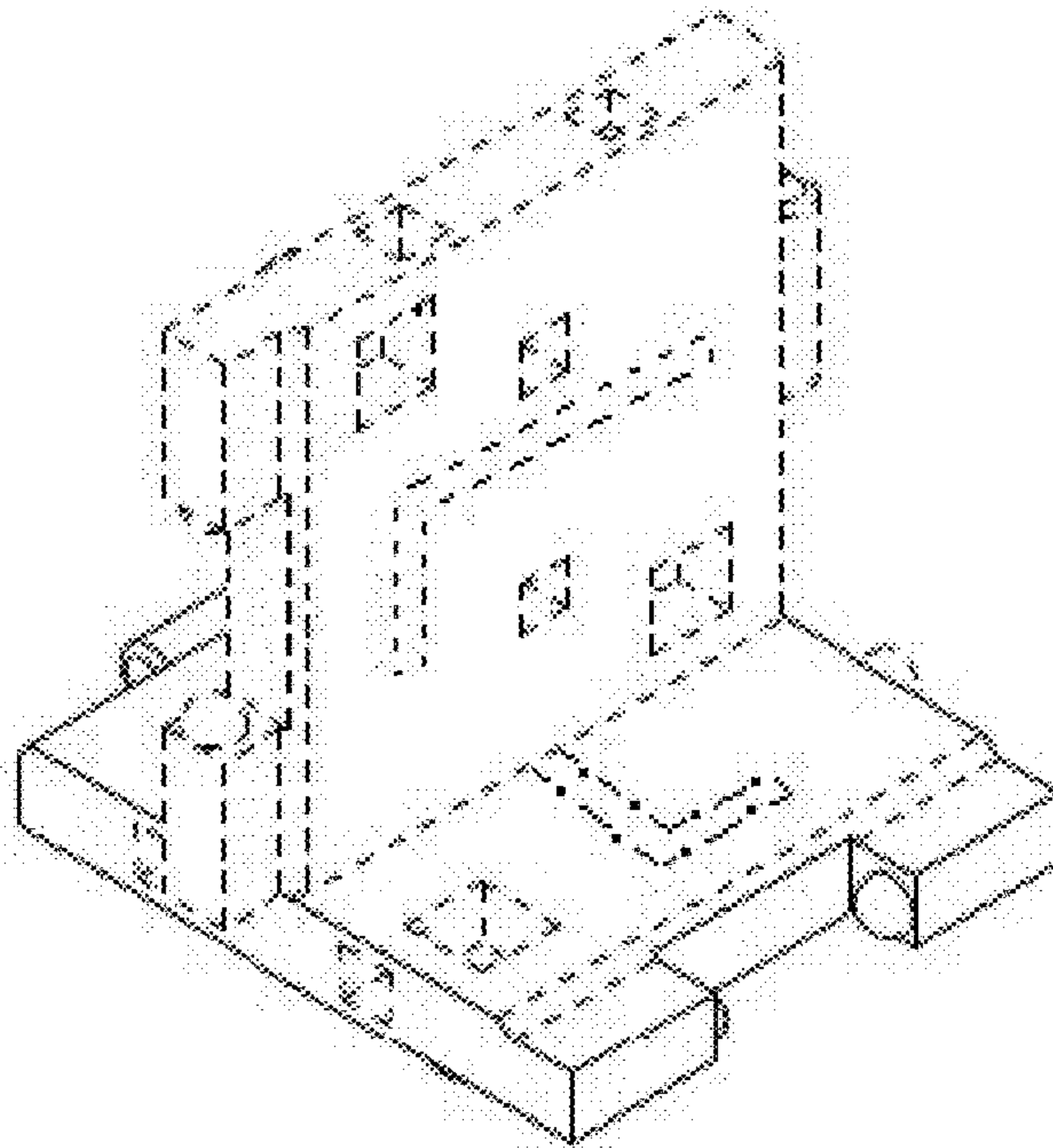


FIG. 10

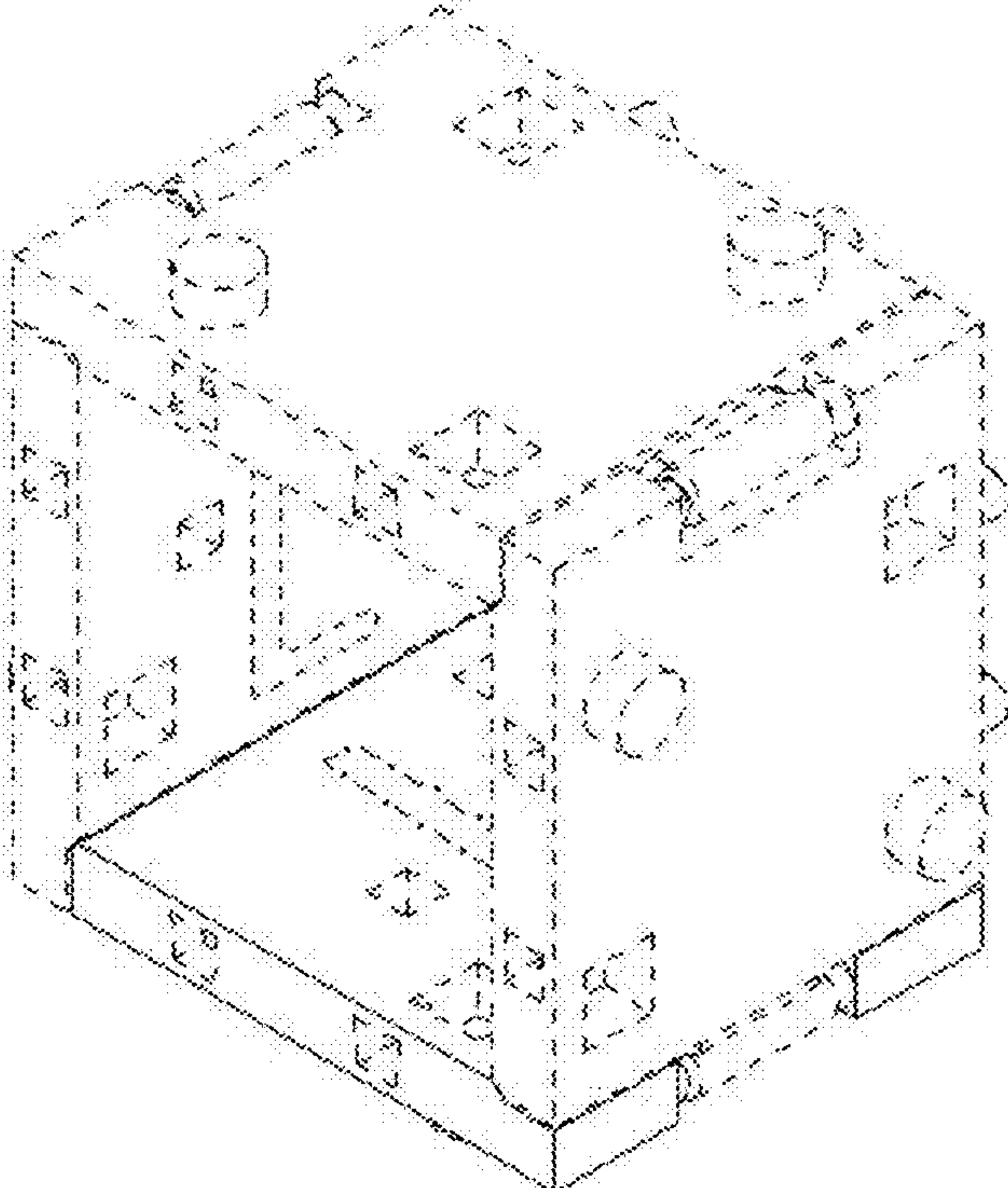


FIG. 11

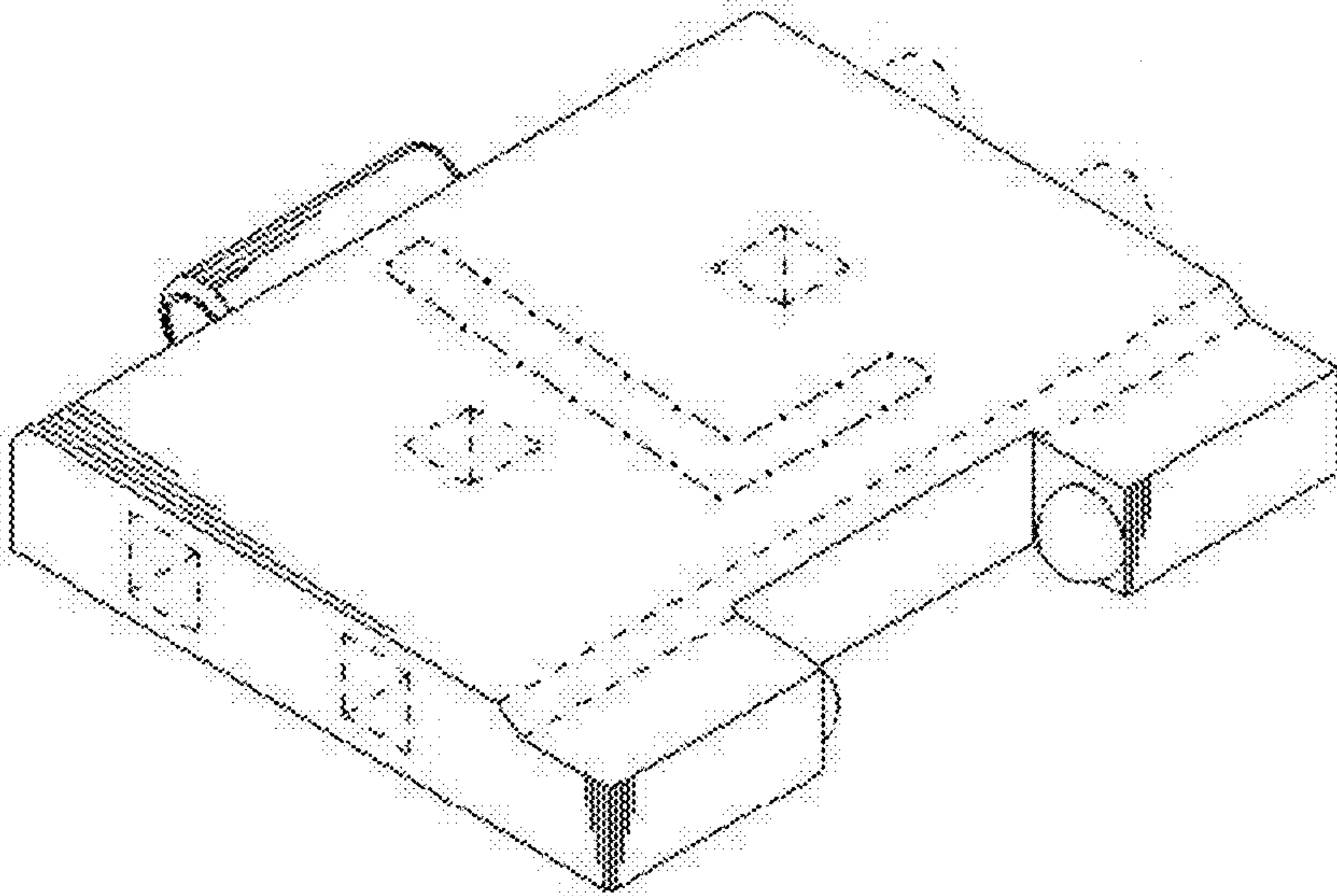


FIG. 12

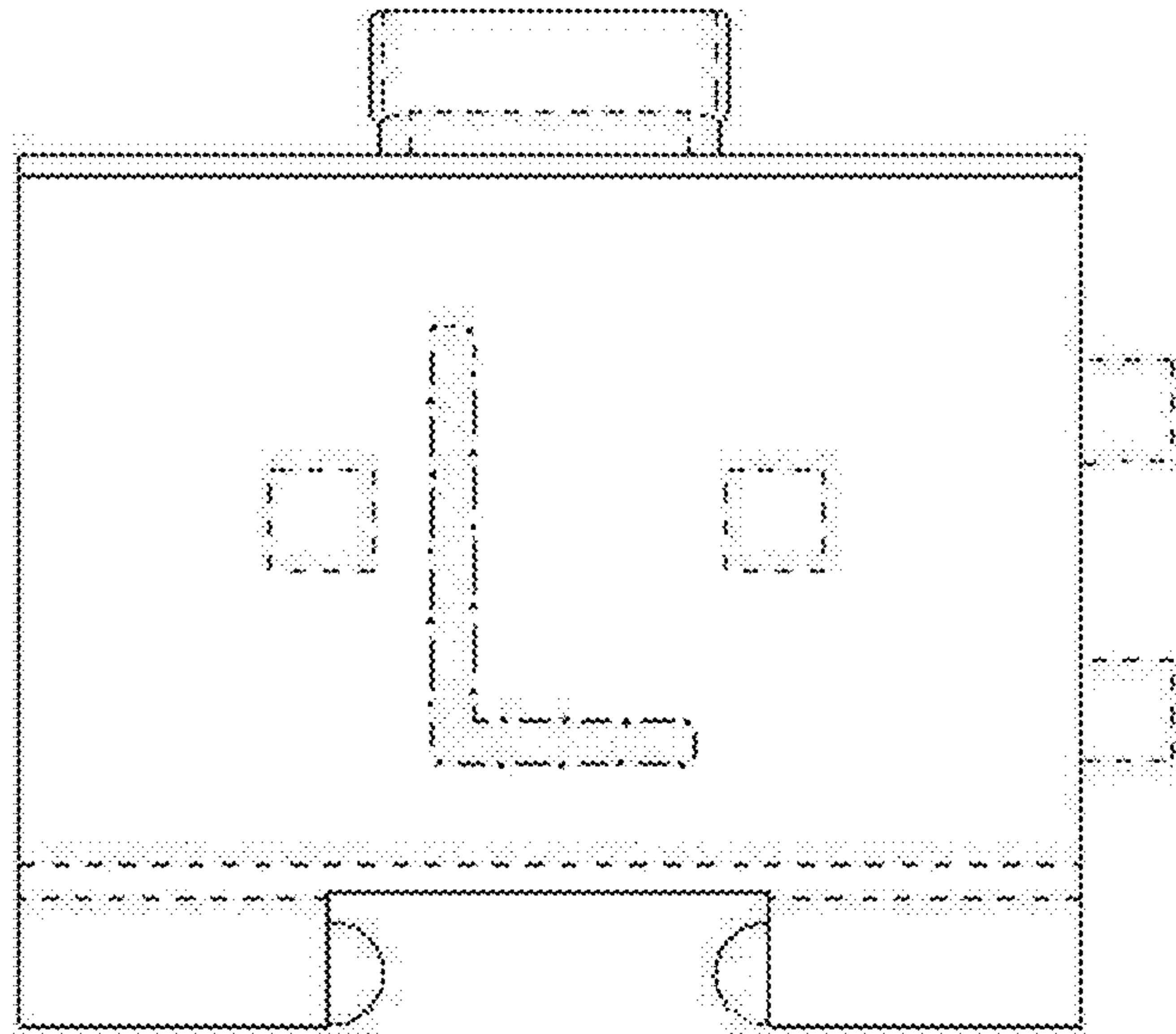


FIG. 13

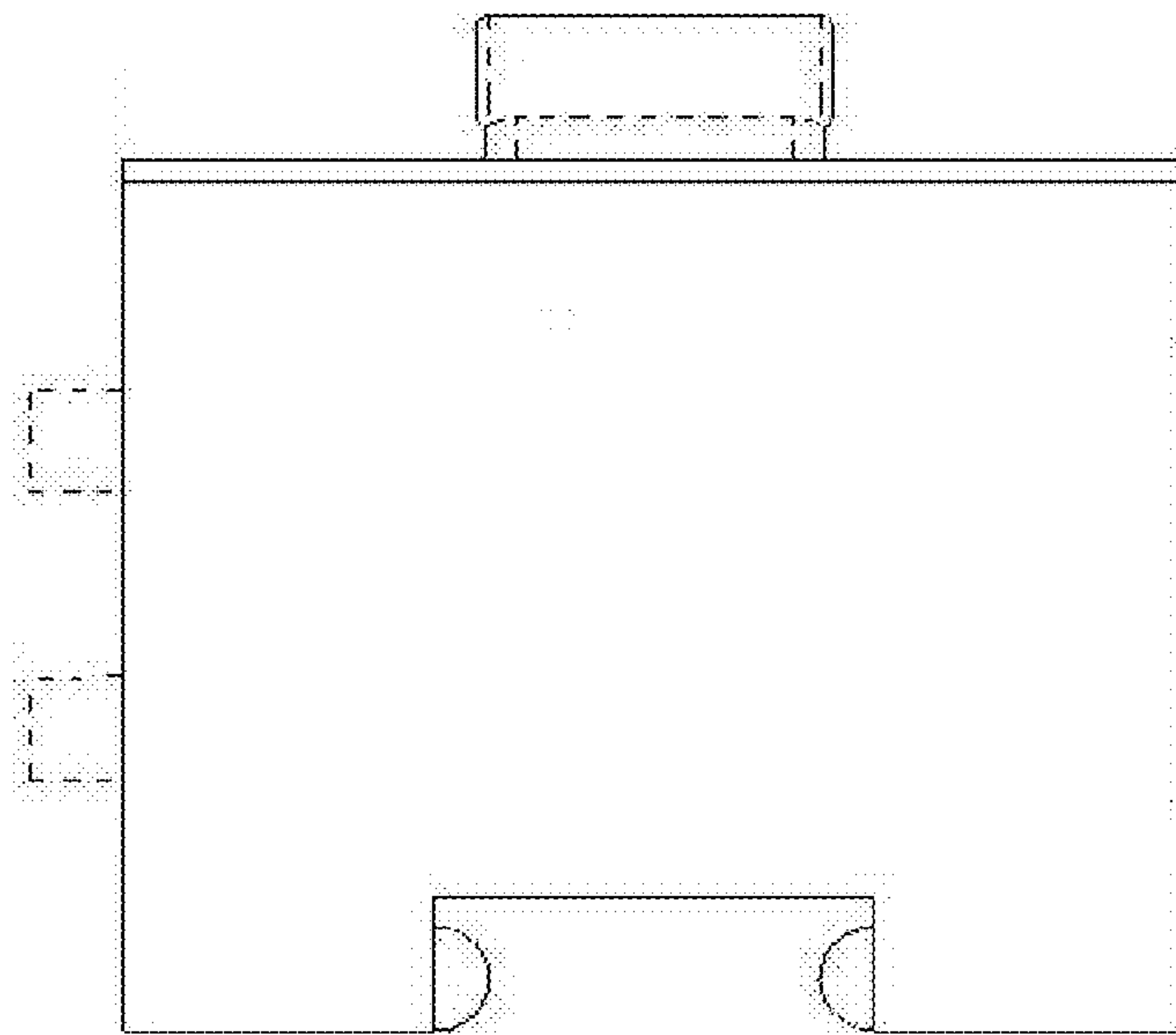


FIG. 14



FIG. 15

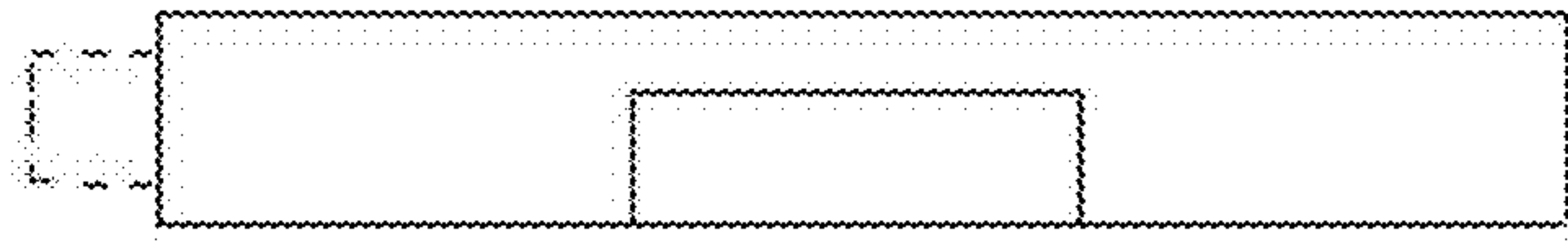


FIG. 16



FIG. 17

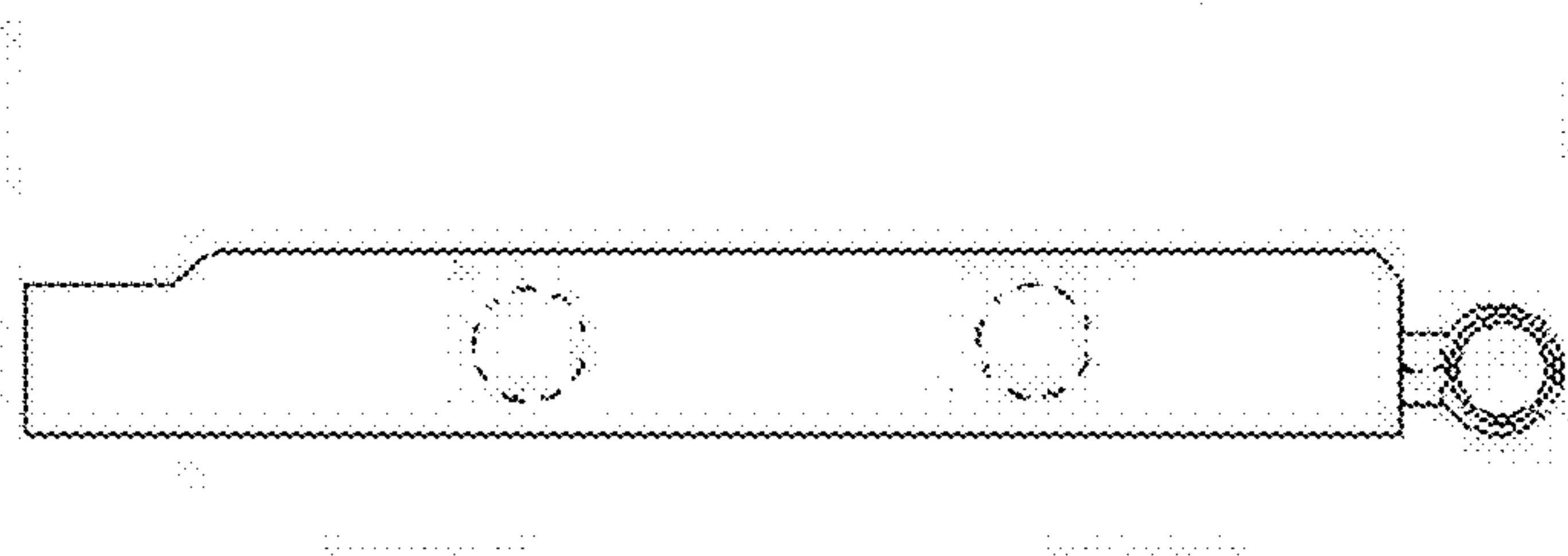


FIG. 18