



US00D810206S

(12) **United States Design Patent**  
**Weisman et al.**

(10) **Patent No.:** **US D810,206 S**  
(45) **Date of Patent:** **\*\* Feb. 13, 2018**

(54) **WATER TOY**  
(71) Applicant: **Global Marketing Enterprise (GME) Ltd., Tel Aviv (IL)**  
(72) Inventors: **Zafirra Weisman, Tel Aviv (IL); Israel Zanger, Tel Aviv (IL)**  
(\*\*) Term: **15 Years**

3,030,731 A \* 4/1962 Marchus ..... A63H 29/12  
446/166  
D198,828 S \* 8/1964 Turner ..... D23/216  
D217,485 S \* 5/1970 Kohner et al. .... D21/474  
3,577,675 A \* 5/1971 Kohner ..... A63H 23/10  
446/177  
4,413,362 A \* 11/1983 Chianco ..... A47K 3/022  
239/211  
D275,974 S \* 10/1984 Rivollet ..... D21/474  
4,689,032 A \* 8/1987 Trossman ..... A63H 23/10  
114/296

(21) Appl. No.: **29/597,833**

(Continued)

(22) Filed: **Mar. 21, 2017**

**FOREIGN PATENT DOCUMENTS**

**Related U.S. Application Data**

(62) Division of application No. 29/519,859, filed on Mar. 9, 2015, now Pat. No. Des. 789,458.

IL 56058 \* 9/2016  
WO WO-2016038619 A2 \* 3/2016 ..... A63H 23/14

(51) **LOC (11) Cl.** ..... **21-01**

*Primary Examiner* — Catherine A Tuttle

(52) **U.S. Cl.**

(74) *Attorney, Agent, or Firm* — Haim M. Factor —  
1st-Tech-Ideas

USPC ..... **D21/473**

(58) **Field of Classification Search**

(57) **CLAIM**

USPC ..... D21/398, 401, 455, 468, 472, 473, 474,  
D21/483, 493, 506, 507, 525, 526, 528,  
D21/532, 542, 545, 543, 576, 585, 592,  
D21/811; D23/213–216, 222, 223, 228,  
D23/229, 239, 241, 283, 304; 446/153,  
446/159, 161, 475, 483

The ornamental design for a water toy, as shown and described.

CPC ..... A63H 23/00–23/16; A63H 29/10; A63H 29/12; A63H 29/14; A63H 33/00; A63H 33/26; A63H 33/28; A63H 33/30; A63H 33/3022; A63H 33/3038; A63H 33/3055; A63H 33/3061; A63H 33/3072; A63H 33/42

**DESCRIPTION**

See application file for complete search history.

FIG. 1 is a front and right perspective view of a water toy showing my new design;  
FIG. 2 is a front view thereof;  
FIG. 3 is a rear view thereof;  
FIG. 4 is a right view thereof;  
FIG. 5 is a top view thereof; and,  
FIG. 6 is a bottom view thereof.

(56) **References Cited**

**U.S. PATENT DOCUMENTS**

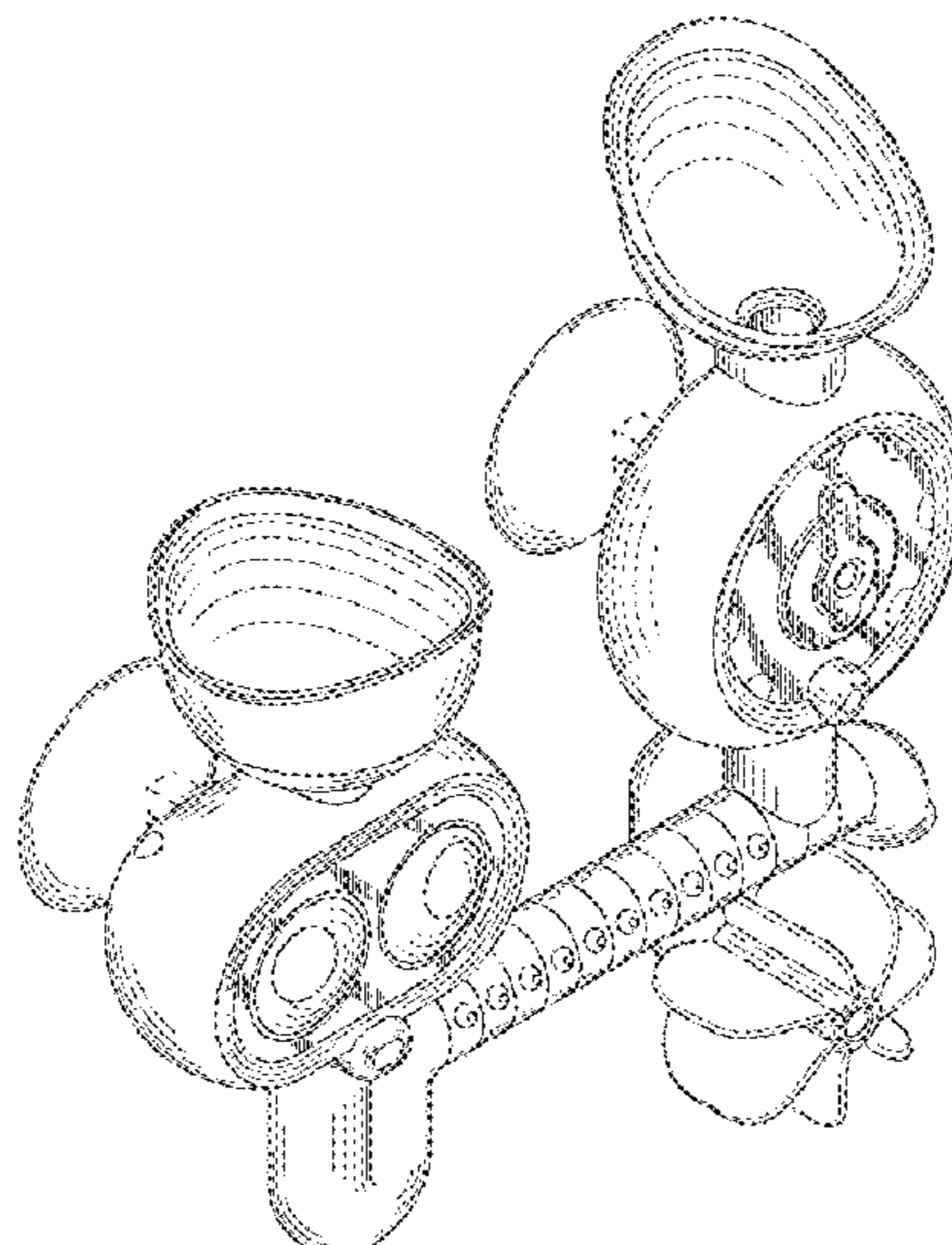
2,752,156 A \* 6/1956 Washburn ..... A63H 33/26  
222/527  
2,968,120 A \* 1/1961 Reed ..... A63H 23/10  
239/17

The appearance within the unshaded areas forms no part of the claimed design.

The broken lines are included for the purpose of illustrating the portions of the water toy that form no part of the claimed design.

The intended use of the design is for playing in a bath or pool.

**1 Claim, 5 Drawing Sheets**



(56)

**References Cited**

U.S. PATENT DOCUMENTS

D317,333 S \* 6/1991 Thomson ..... D21/474  
5,385,472 A \* 1/1995 Mullin ..... G09B 23/12  
434/126  
5,480,336 A \* 1/1996 Blanchard ..... A63H 23/16  
239/279  
D367,505 S \* 2/1996 Kino ..... D21/472  
D369,837 S \* 5/1996 Kino ..... 446/166  
6,782,567 B1 \* 8/2004 Austin ..... A63H 23/10  
4/496  
D789,458 S \* 6/2017 Weisman ..... D21/473  
2005/0106991 A1 \* 5/2005 Marine ..... A63H 3/52  
446/296  
2006/0059613 A1 \* 3/2006 Feltman ..... A61H 33/6036  
4/496  
2009/0000022 A1 \* 1/2009 Phipps ..... E03C 1/0408  
4/601  
2011/0076910 A1 \* 3/2011 Johnston ..... A63H 23/04  
446/163  
2011/0105238 A1 \* 5/2011 Amron ..... A63H 23/10  
472/128

\* cited by examiner

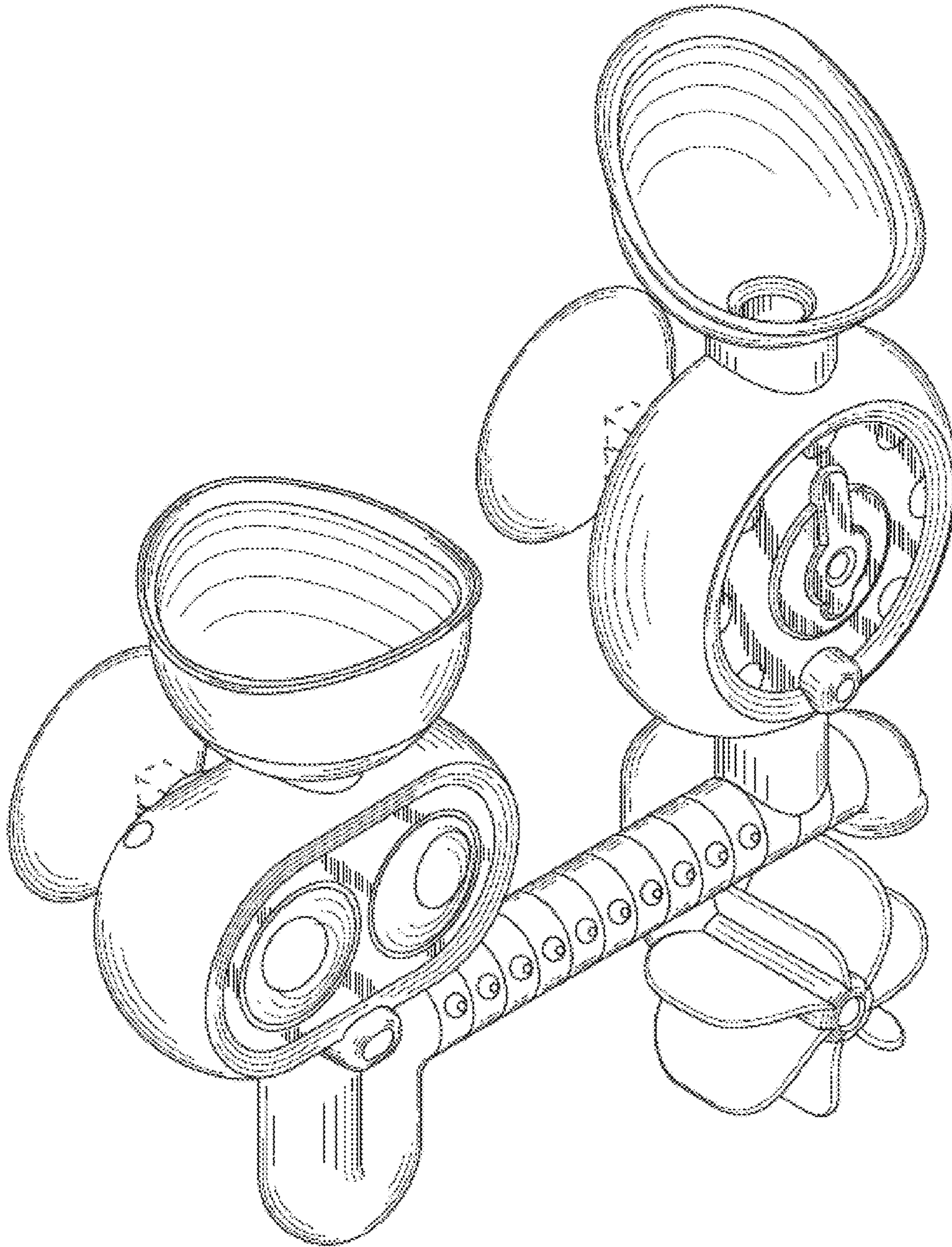


FIG 1

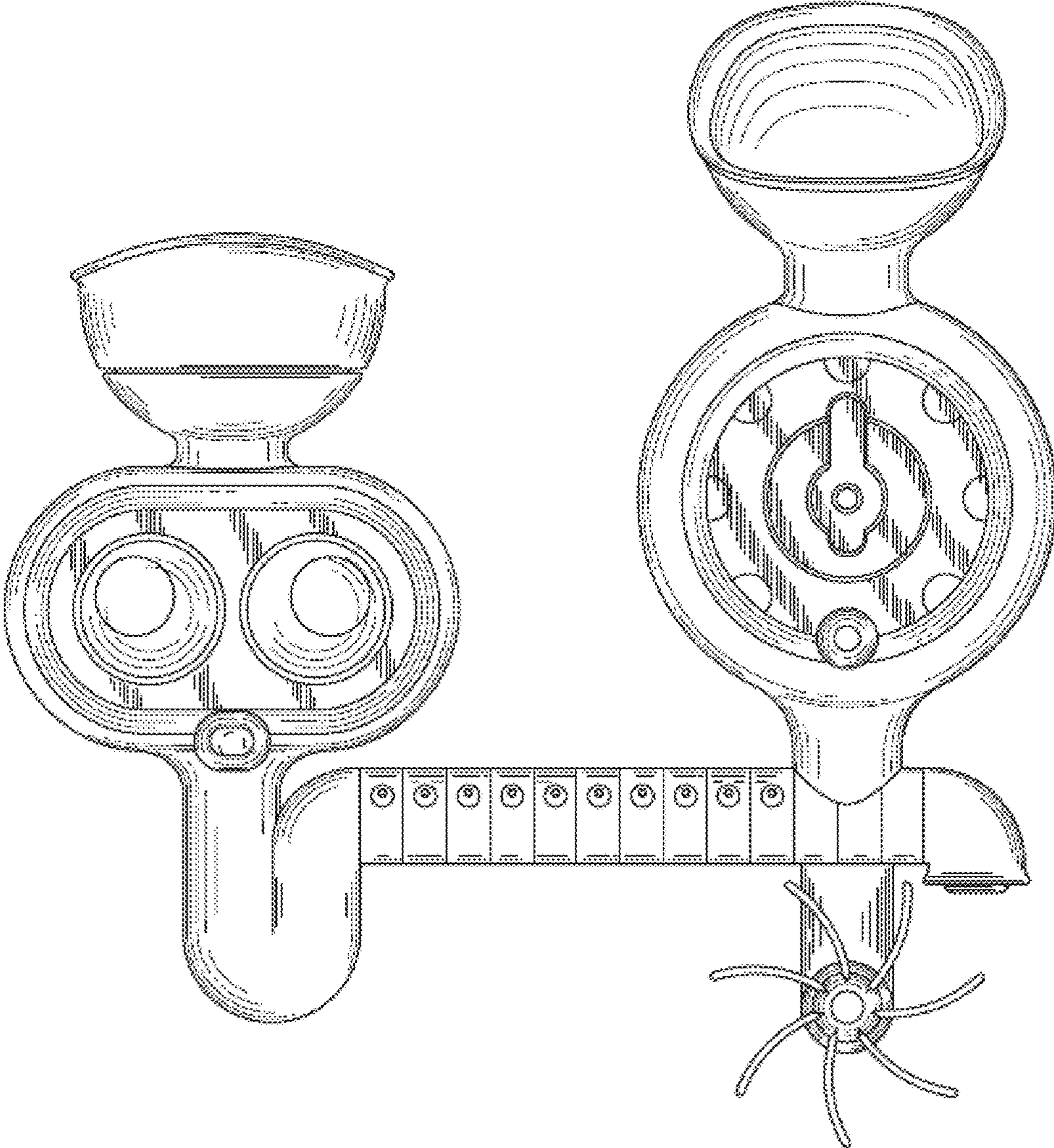


FIG 2

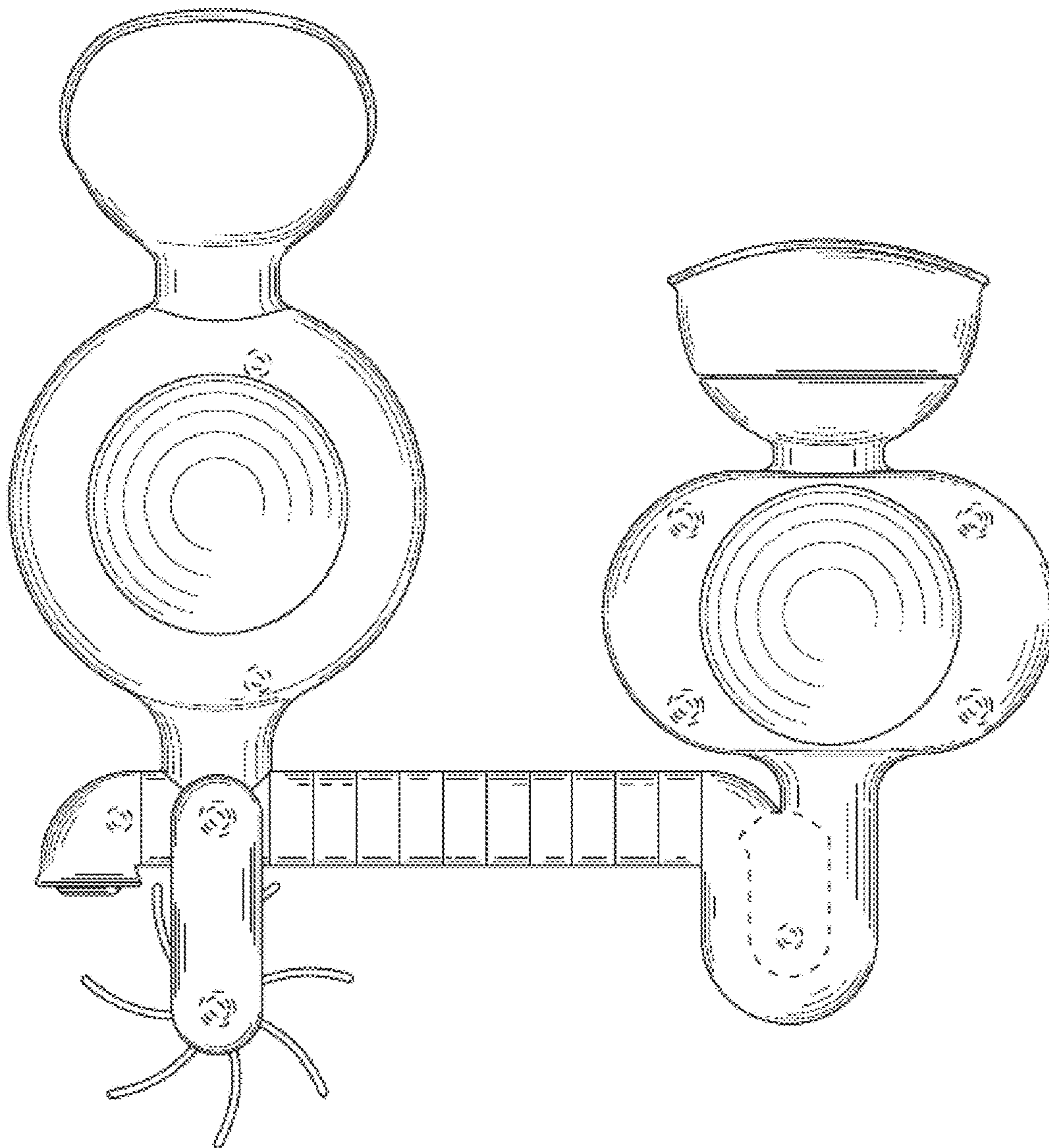


FIG 3

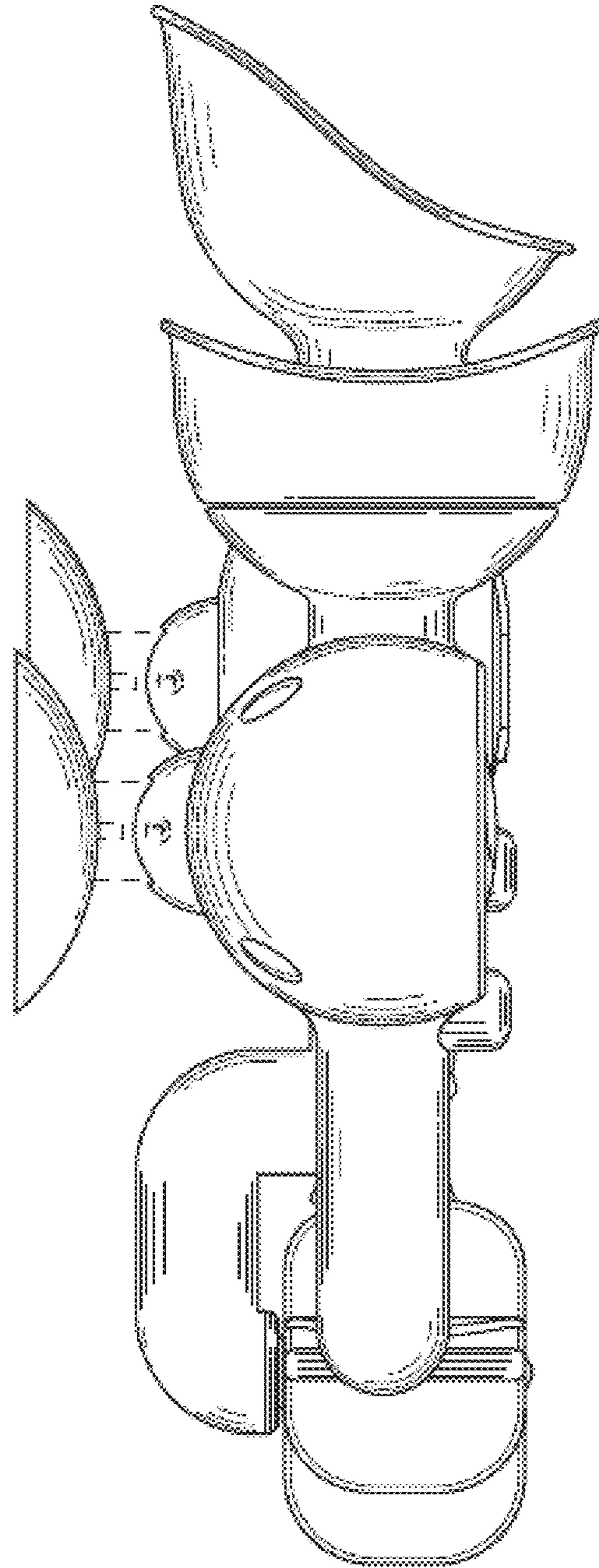


FIG 4

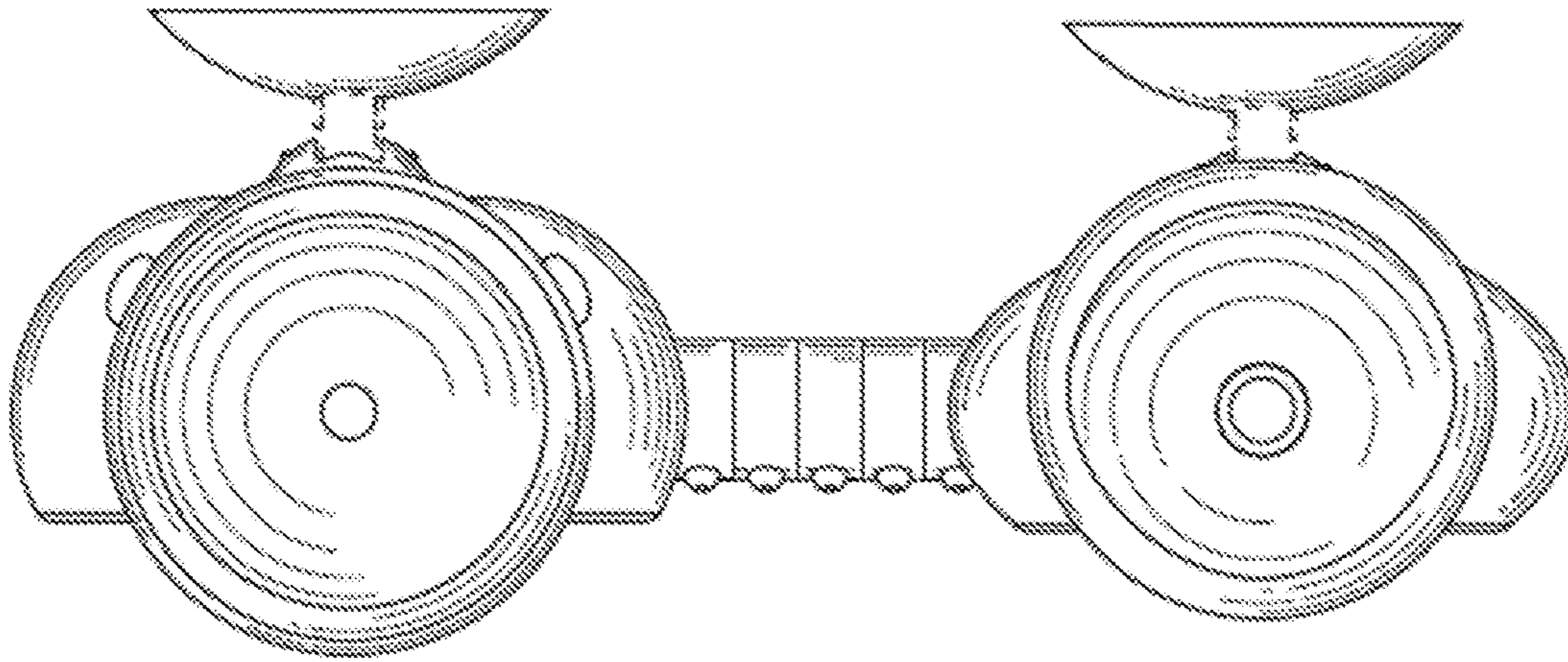


FIG. 5

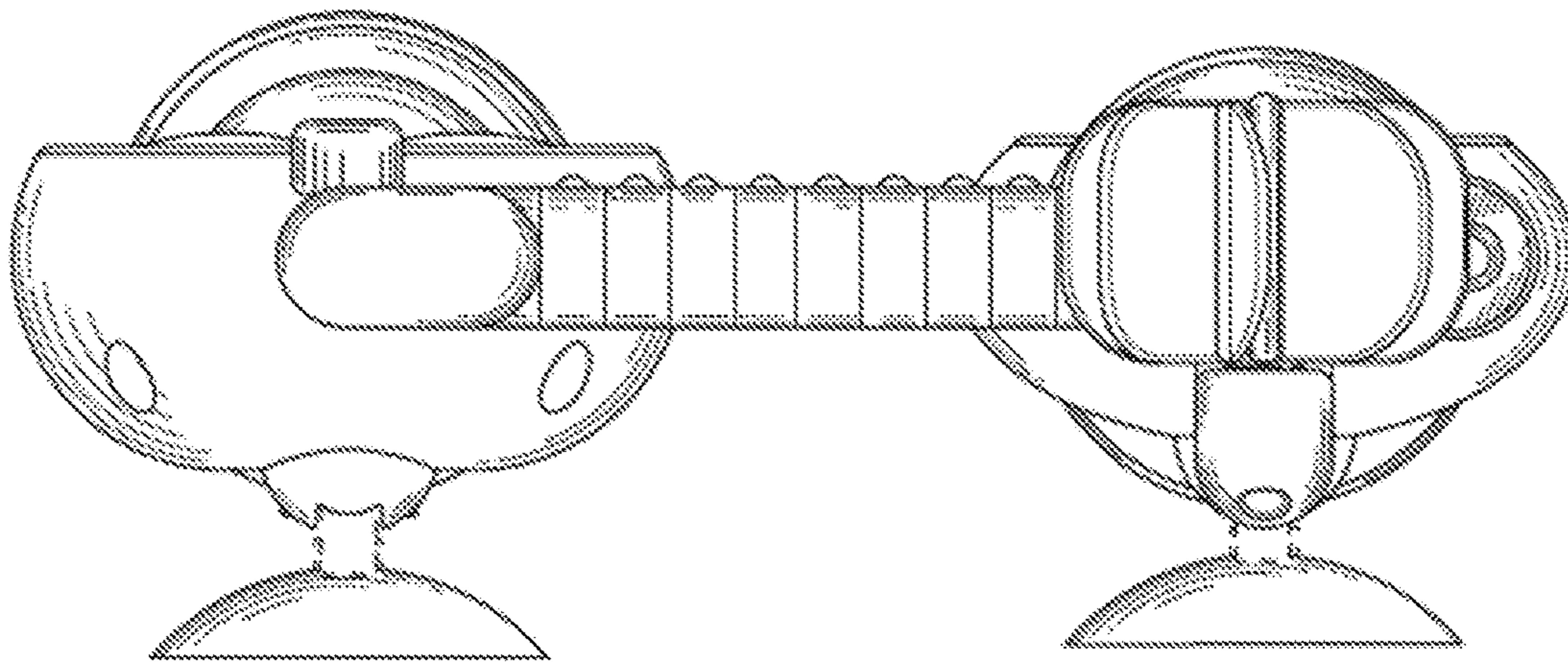


FIG. 6