



US00D810205S

(12) **United States Design Patent**  
**Jung**

(10) **Patent No.:** **US D810,205 S**  
(45) **Date of Patent:** **\*\* Feb. 13, 2018**

- (54) **ADJUSTABLE SAND MOLD TOY**
- (71) Applicant: **Kurt Jung**, Pompton Plains, NJ (US)
- (72) Inventor: **Kurt Jung**, Pompton Plains, NJ (US)
- (\*\*) Term: **15 Years**
- (21) Appl. No.: **29/588,321**
- (22) Filed: **Dec. 20, 2016**
- (51) **LOC (11) Cl.** ..... **21-01**
- (52) **U.S. Cl.**  
USPC ..... **D21/472**
- (58) **Field of Classification Search**  
USPC ..... D21/398, 471, 472, 483, 484, 489, 490,  
D21/491, 492, 493, 494, 500, 501, 512,  
D21/504, 505; D7/354, 624.5, 625, 633,  
D7/634, 672, 674, 675, 677; D9/600,  
D9/631, 711, 721, 739, 751, 755, 517,  
D9/414, 432, 434, 444, 455; D11/130,  
D11/130.1, 149, 155, 164; D25/38.1, 40,  
D25/48.4, 48.8; D15/135, 136; 446/70,  
446/85, 86, 119, 122, 487, 488, 490;  
425/DIG. 57, DIG. 125, DIG. 132;  
249/104, 139, 140, 160-171, 189-196  
CPC ..... A63H 33/001; A63H 33/04; A63H 33/10;  
A63H 33/32; B28B 7/0014; B28B  
7/0041; B28B 7/0044; B28B 7/0064;  
B28B 7/007; B28B 7/0073; B28B 7/02;  
B28B 7/06; B28B 7/10; B28B 7/183;  
B28B 7/348; B28B 7/364; B28B  
2007/005; E04G 13/02; E04G 9/08; E04G  
9/083; B29C 33/20; B29C 33/202; B29C  
2033/207  
See application file for complete search history.

- 1,639,934 A 8/1927 Ferring
- 1,645,776 A \* 10/1927 Sanson ..... B28B 7/0044  
249/104
- 1,750,734 A \* 3/1930 Tope ..... B22D 7/08  
164/363
- D85,427 S \* 10/1931 Gilbert ..... D21/484
- 1,825,967 A \* 10/1931 Woodward ..... A63H 3/52  
164/393
- 1,886,486 A \* 11/1932 Woodward ..... A63H 33/001  
249/104
- D158,281 S \* 4/1950 Hines ..... D15/136
- 3,061,880 A \* 11/1962 Weisbach ..... A63H 33/001  
249/104

(Continued)

**FOREIGN PATENT DOCUMENTS**

- WO D032149-004 \* 4/1995
- WO D032149-005 \* 4/1995

(Continued)

*Primary Examiner* — Catherine A Tuttle  
(74) *Attorney, Agent, or Firm* — Goldstein Law Offices,  
P.C.

(57) **CLAIM**

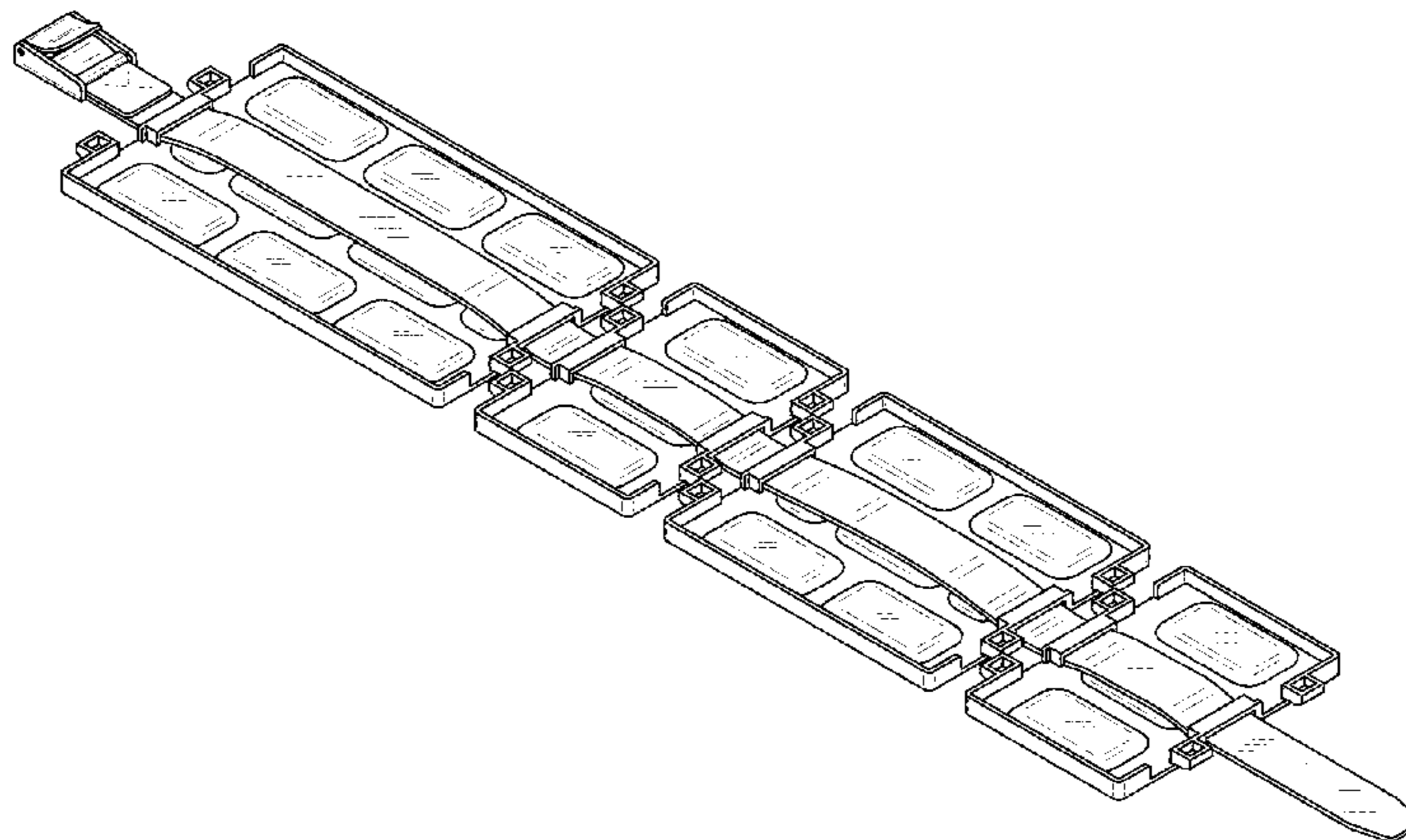
The ornamental design for an adjustable sand mold toy, as shown and described.

**DESCRIPTION**

FIG. 1 is a top perspective view of the adjustable sand mold toy showing my new design.  
FIG. 2 is a bottom perspective view thereof.  
FIG. 3 is a bottom plan view thereof.  
FIG. 4 is a top plan view thereof.  
FIG. 5 is a front elevational view thereof.  
FIG. 6 is a rear elevational view thereof.  
FIG. 7 is a left end elevational view thereof.  
FIG. 8 is a right end elevational view thereof; and,  
FIG. 9 is a perspective view showing the adjustable sand mold toy in an alternate position.

**1 Claim, 6 Drawing Sheets**

- (56) **References Cited**  
U.S. PATENT DOCUMENTS  
1,567,243 A \* 12/1925 Clouser ..... B28B 7/0044  
249/101  
1,610,121 A 12/1926 Dickinson



(56)

**References Cited**

U.S. PATENT DOCUMENTS

3,329,747 A \* 7/1967 Veach ..... B28B 7/0014  
249/48  
D232,577 S \* 8/1974 Friesen ..... D15/136  
3,829,057 A \* 8/1974 Fuchs ..... B28B 7/06  
249/175  
3,848,846 A \* 11/1974 Ebner ..... A63H 33/04  
249/117  
D267,407 S \* 12/1982 Mitchko ..... D15/136  
4,887,789 A 12/1989 Harris et al.  
5,667,200 A \* 9/1997 Kelley, Jr. .... B28B 7/183  
249/142  
5,817,248 A \* 10/1998 Forlini ..... B28B 7/0044  
249/102  
6,126,876 A 10/2000 Demarzo  
6,149,485 A 11/2000 Christiansen  
8,857,783 B2 \* 10/2014 Thorpe-Doubble .. B29C 39/003  
249/101  
D722,654 S \* 2/2015 Martone ..... D21/472

D788,856 S \* 6/2017 Jung ..... D21/472  
2004/0227053 A1 \* 11/2004 Manthei ..... B28B 7/0044  
249/83  
2007/0194205 A1 \* 8/2007 Blackmon ..... E04G 13/00  
249/185  
2008/0061471 A1 \* 3/2008 Bradley ..... A63H 33/001  
264/279  
2008/0251687 A1 10/2008 Taufield  
2009/0301028 A1 \* 12/2009 Pfoff ..... B28B 7/0035  
52/741.11  
2013/0069265 A1 3/2013 Djoboulian  
2014/0166848 A1 \* 6/2014 Hunt ..... E02D 27/013  
249/1

FOREIGN PATENT DOCUMENTS

WO WO0149387 7/2001  
WO WO2008100619 8/2008  
WO WO2013040700 3/2013

\* cited by examiner

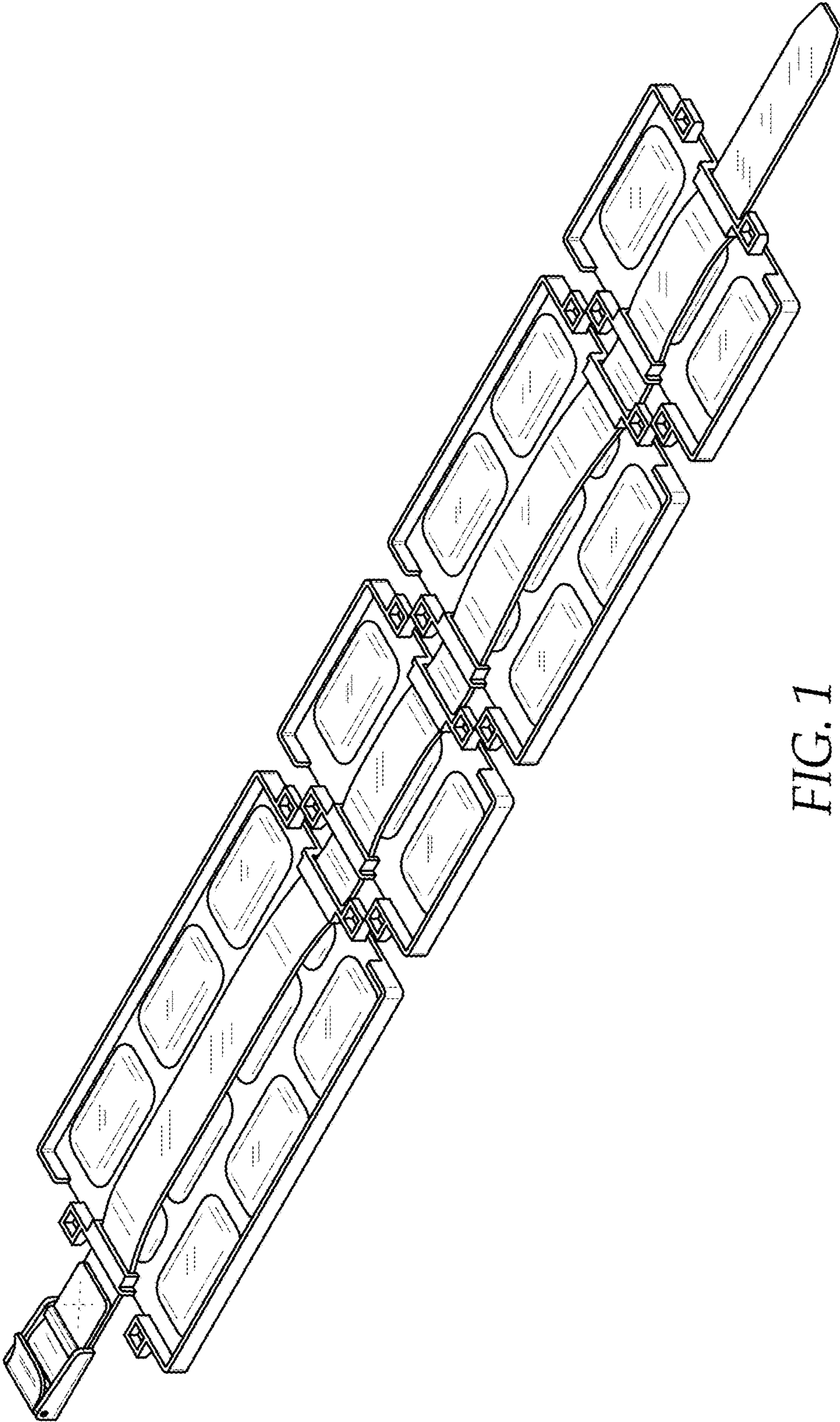


FIG. 1



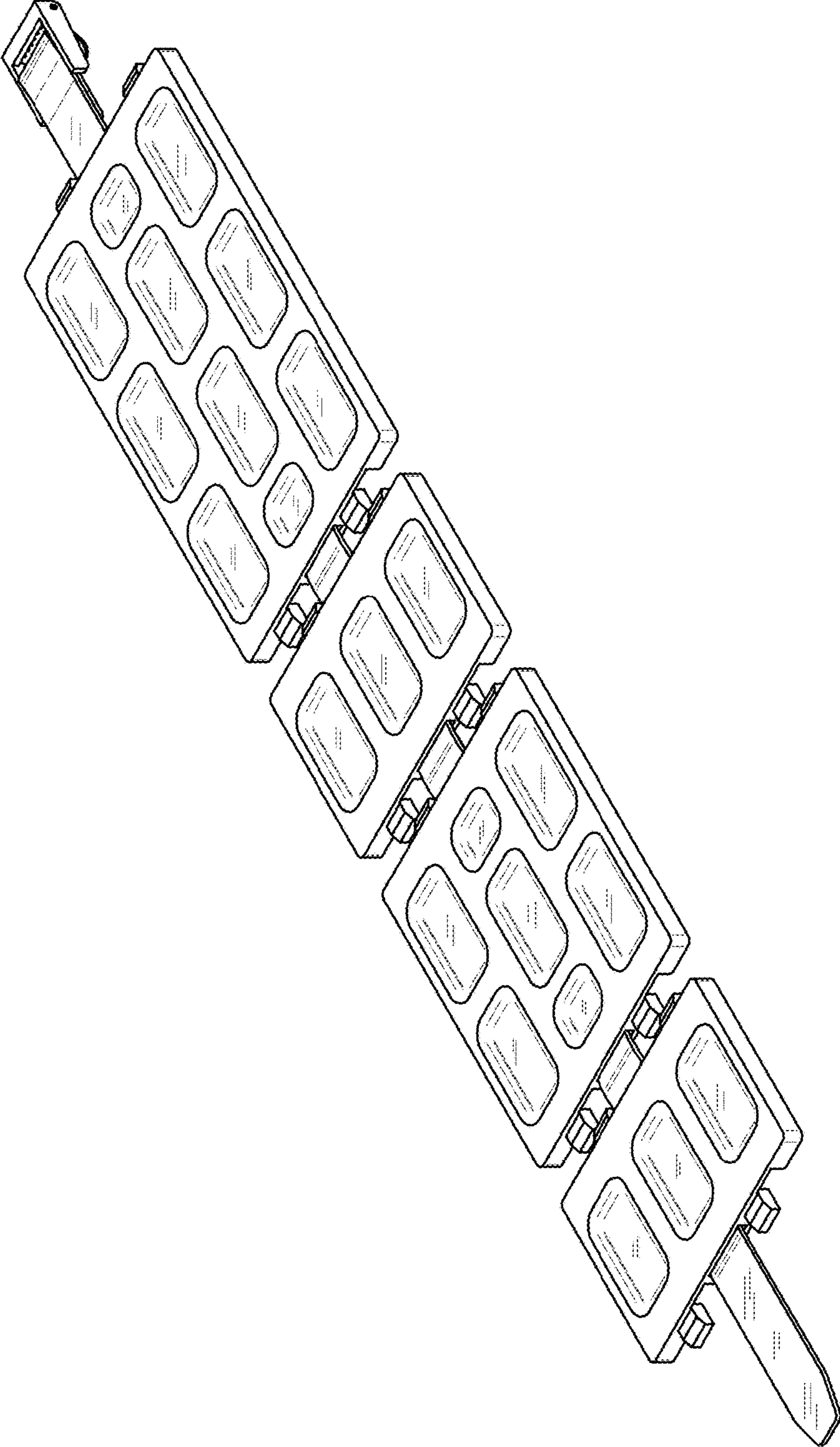


FIG. 2

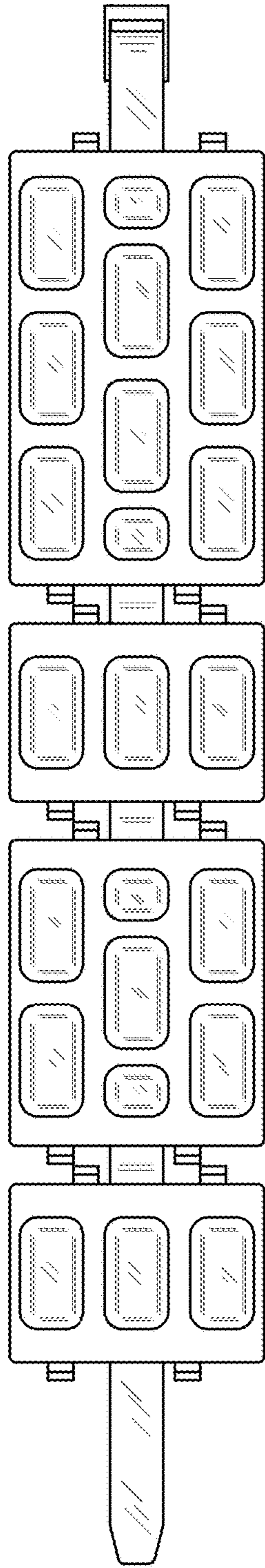


FIG. 3

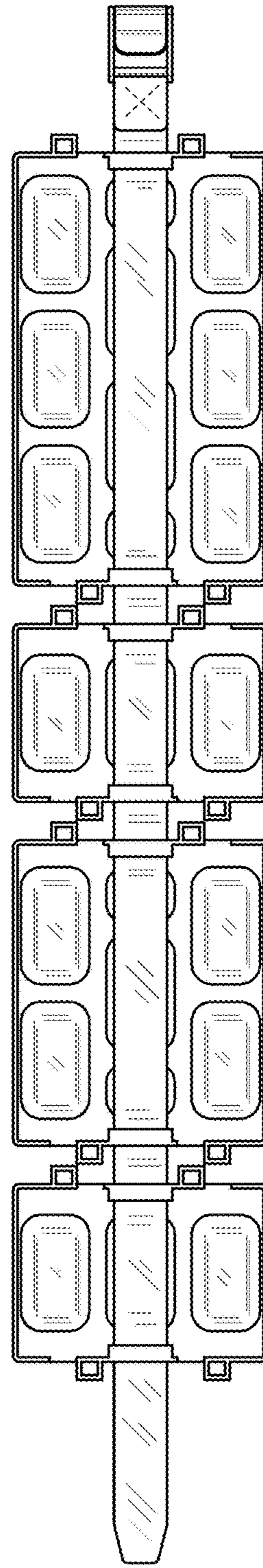


FIG. 4



FIG. 5



FIG. 6



*FIG. 7*



*FIG. 8*



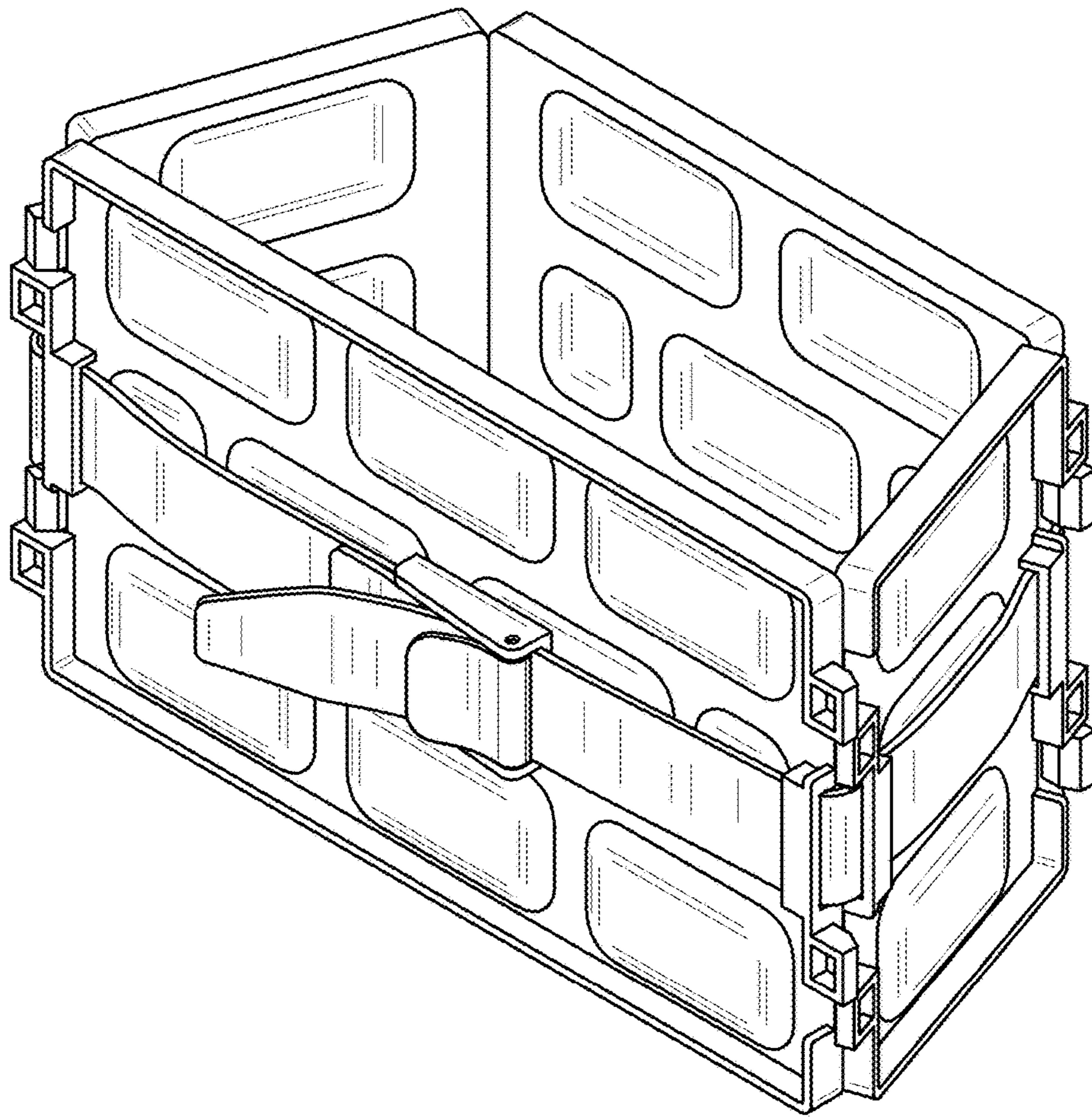


FIG. 9