



US00D810203S

(12) **United States Design Patent** (10) **Patent No.:** **US D810,203 S**
Buller (45) **Date of Patent:** **** Feb. 13, 2018**

- (54) **SKIN COVER FOR A GAMING CONSOLE**
- (71) Applicant: **Jonathan Blake Buller**, Temecula, CA (US)
- (72) Inventor: **Jonathan Blake Buller**, Temecula, CA (US)
- (**) Term: **15 Years**
- (21) Appl. No.: **29/612,858**
- (22) Filed: **Aug. 4, 2017**
- (51) **LOC (11) Cl.** **21-01**
- (52) **U.S. Cl.**
USPC **D21/333**
- (58) **Field of Classification Search**
USPC D14/496, 401, 435, 474, 483, 217, 137, D14/138, 160, 168, 356, 203.1–203.8, D14/507; 715/727–729, 864, 700, 706, 715/719; 710/1, 5, 8; 713/1, 600; 455/344–347, 93, 95, 3.01–3.06, 550.1, 455/573.1; 370/342–344; 369/1, 2, 369/6–12; 463/51–57, 40–47; D21/333, D21/324, 328; 273/148 B
CPC .. A63F 13/00; A63F 13/02; A53F 9/00; G06F 17/00; G06F 19/00
See application file for complete search history.

- D452,282 S 12/2001 Stewart et al.
- D461,850 S 8/2002 Hussaini et al.
- 6,578,303 B2 6/2003 Richards
- D488,909 S 4/2004 Burns
- 6,743,100 B1 6/2004 Neiser
- 6,932,341 B1* 8/2005 Kenyon A63F 13/02 273/148 B
- D515,807 S * 2/2006 Faillace D3/218
- D521,567 S 5/2006 Svendsen et al.
- 7,063,321 B2 6/2006 Hussaini et al.
- D534,962 S 1/2007 Svendsen et al.
- D540,396 S 4/2007 Kawanobe et al.
- D542,856 S 5/2007 Lim
- 7,235,012 B2 6/2007 Didato
- D587,717 S 3/2009 Harris
- 7,762,553 B2 7/2010 Harris
- D632,682 S * 2/2011 Fahrendorff D14/250
- 7,922,059 B2* 4/2011 Schiestl F16F 1/366 162/158
- D640,697 S 6/2011 Lovoi et al.
- D655,758 S 3/2012 Sunabe et al.

(Continued)

Primary Examiner — Prabhakar Deshmukh
(74) *Attorney, Agent, or Firm* — Kirk A. Buhler; Buhler & Associates

(57) **CLAIM**

The ornamental design for a skin cover for a gaming console, as shown and described.

DESCRIPTION

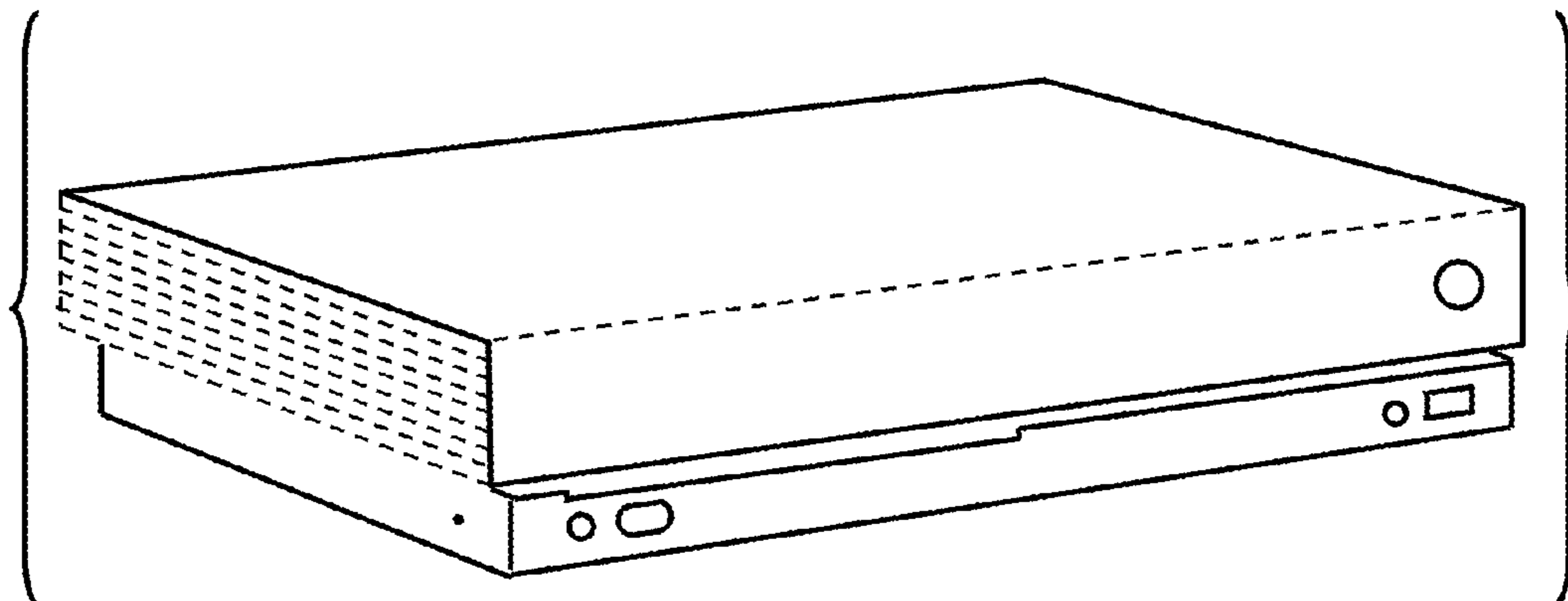
FIG. 1 is an exploded front elevation view of a skin cover for a gaming console showing my new design; FIG. 2 is a right side elevation thereof; FIG. 3 is a top and left perspective view thereof, in an assembled use condition; and, FIG. 4 is a top and right perspective view thereof, in an assembled use condition.
The broken lines illustrate environment and forms no part of the claimed design.

1 Claim, 2 Drawing Sheets

(56) **References Cited**

U.S. PATENT DOCUMENTS

- 3,680,726 A 8/1972 Massey
- 3,978,756 A 9/1976 Feldman
- 5,322,578 A 6/1994 Ogle et al.
- 5,454,492 A 10/1995 Hunter et al.
- 5,501,458 A * 3/1996 Mallory A63F 13/08 273/148 B
- 5,609,265 A 3/1997 Haberkorn et al.
- 5,711,836 A 1/1998 Paul, III
- 6,074,721 A 6/2000 Moore et al.
- D432,586 S * 10/2000 Galli-Zugaro D21/333



(56)

References Cited

U.S. PATENT DOCUMENTS

8,128,597 B2 * 3/2012 Cross A61M 5/1424
604/151
D688,233 S * 8/2013 Dong D14/250
D704,343 S 5/2014 Inoo et al.
D712,973 S 9/2014 Sumii et al.
8,919,549 B1 * 12/2014 Tashjian A45F 5/021
150/165
D736,762 S 8/2015 Lovoi et al.
D736,860 S 8/2015 Lovoi et al.
D744,045 S 11/2015 Buller
D765,789 S 9/2016 Buller
D777,842 S * 1/2017 Buller D14/401
D786,979 S 5/2017 Buller
D797,196 S * 9/2017 Buller D14/401
D797,197 S * 9/2017 Buller D21/333
2002/0088726 A1 * 7/2002 Chou A45F 3/04
206/320

* cited by examiner

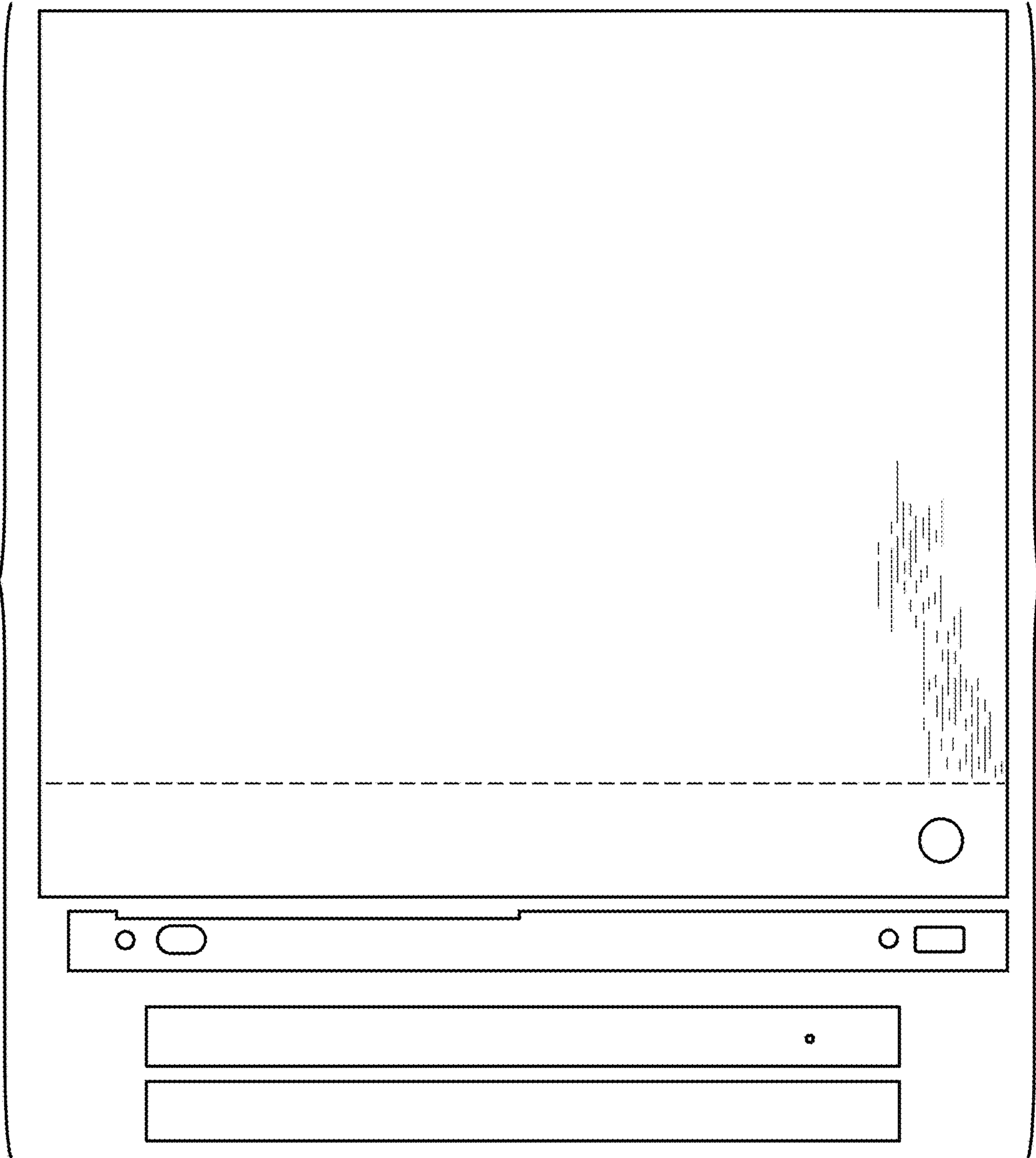


FIG. 1

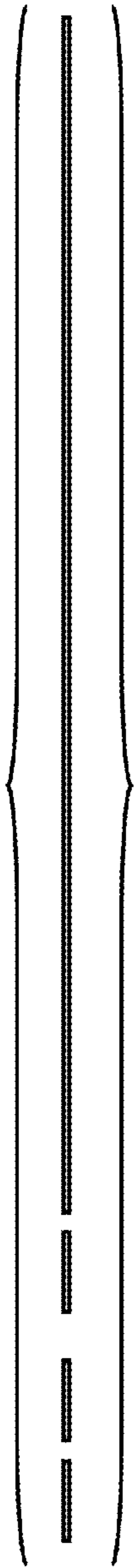


FIG. 2

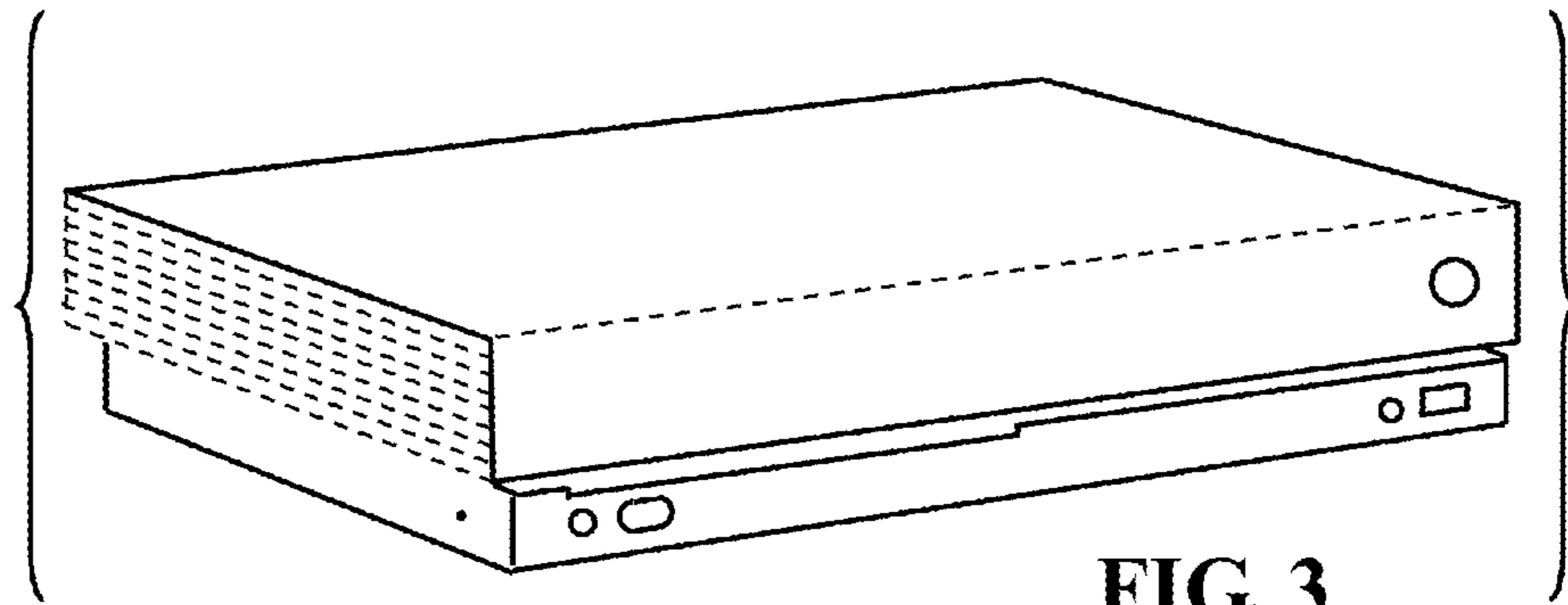


FIG. 3

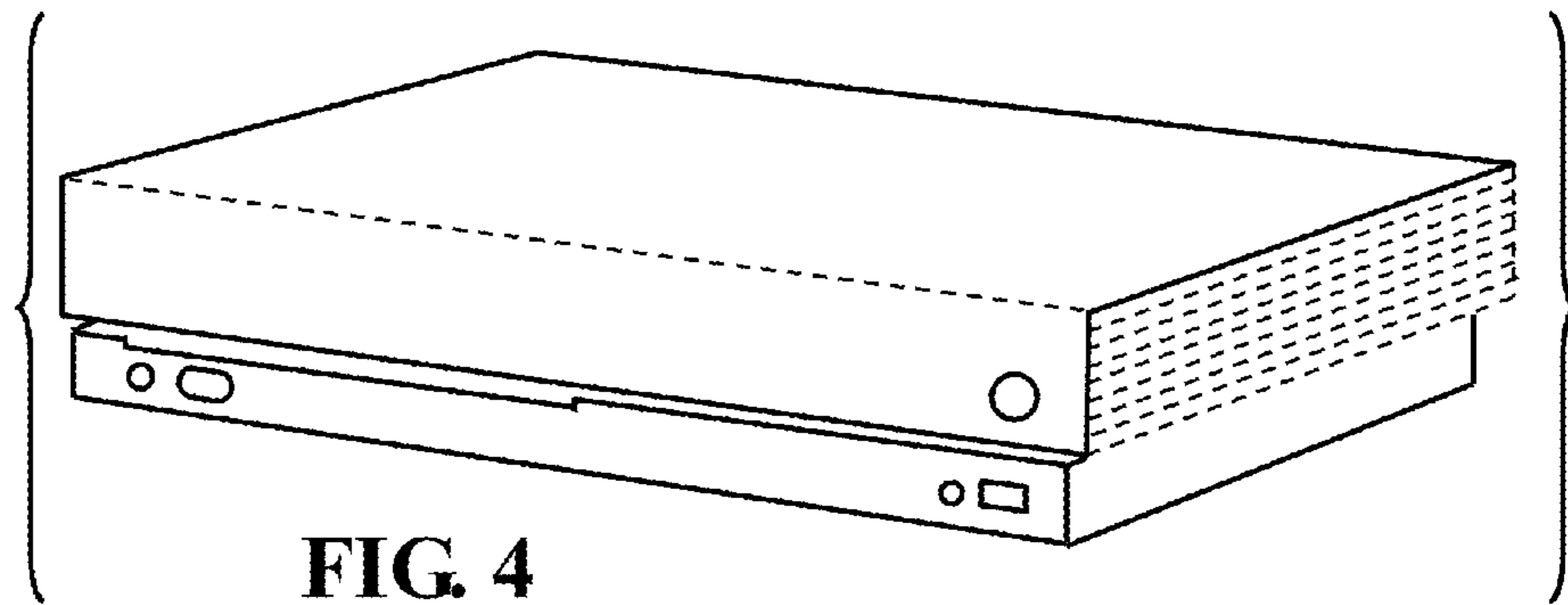


FIG. 4