



US00D810202S

(12) **United States Design Patent**  
**Foster et al.**

(10) **Patent No.:** **US D810,202 S**  
(45) **Date of Patent:** **\*\* Feb. 13, 2018**

- (54) **GRIP SET FOR A VIDEO GAME CONTROLLER**
- (71) Applicant: **Performance Designed Products LLC**,  
Burbank, CA (US)
- (72) Inventors: **Dennis Keith Foster**, La Verne, CA  
(US); **Christopher Michael Mancini**,  
Los Angeles, CA (US)
- (73) Assignee: **Performance Designed Products LLC**,  
Burbank, CA (US)
- (\*\*) Term: **15 Years**
- (21) Appl. No.: **29/590,726**
- (22) Filed: **Jan. 12, 2017**
- (51) **LOC (11) Cl.** ..... **21-01**
- (52) **U.S. Cl.**  
USPC ..... **D21/333; D14/401**
- (58) **Field of Classification Search**  
USPC ..... D14/399-401, 412-418; 273/148 B;  
463/1, 29-39, 46, 47; 345/156-161, 905;  
D21/324, 333  
CPC .. A63F 13/02; A63F 9/24; A63F 13/12; A63F  
9/00; A63F 11/00; A63F 71/00; G06F  
3/02; G06F 3/033; G09G 5/00  
See application file for complete search history.

- (56) **References Cited**  
U.S. PATENT DOCUMENTS  
6,512,511 B2 \* 1/2003 Willner ..... A63F 13/06  
345/156  
6,743,100 B1 \* 6/2004 Neiser ..... A63F 13/06  
273/148 B  
7,063,321 B2 \* 6/2006 Hussaini ..... A63F 13/06  
273/148 B  
7,762,553 B2 \* 7/2010 Harris ..... A63F 13/98  
273/148 B

- D631,476 S \* 1/2011 Piedra ..... D14/401
- D640,697 S \* 6/2011 Lovoi ..... D14/401
- D669,078 S \* 10/2012 Lovoi ..... D14/401
- D717,875 S \* 11/2014 Uhrman ..... D21/333
- D730,451 S \* 5/2015 Burgess ..... D14/401
- D736,762 S \* 8/2015 Lovoi ..... D14/333
- D736,860 S \* 8/2015 Lovoi ..... D14/401
- D800,223 S \* 10/2017 Navid ..... D21/333

\* cited by examiner

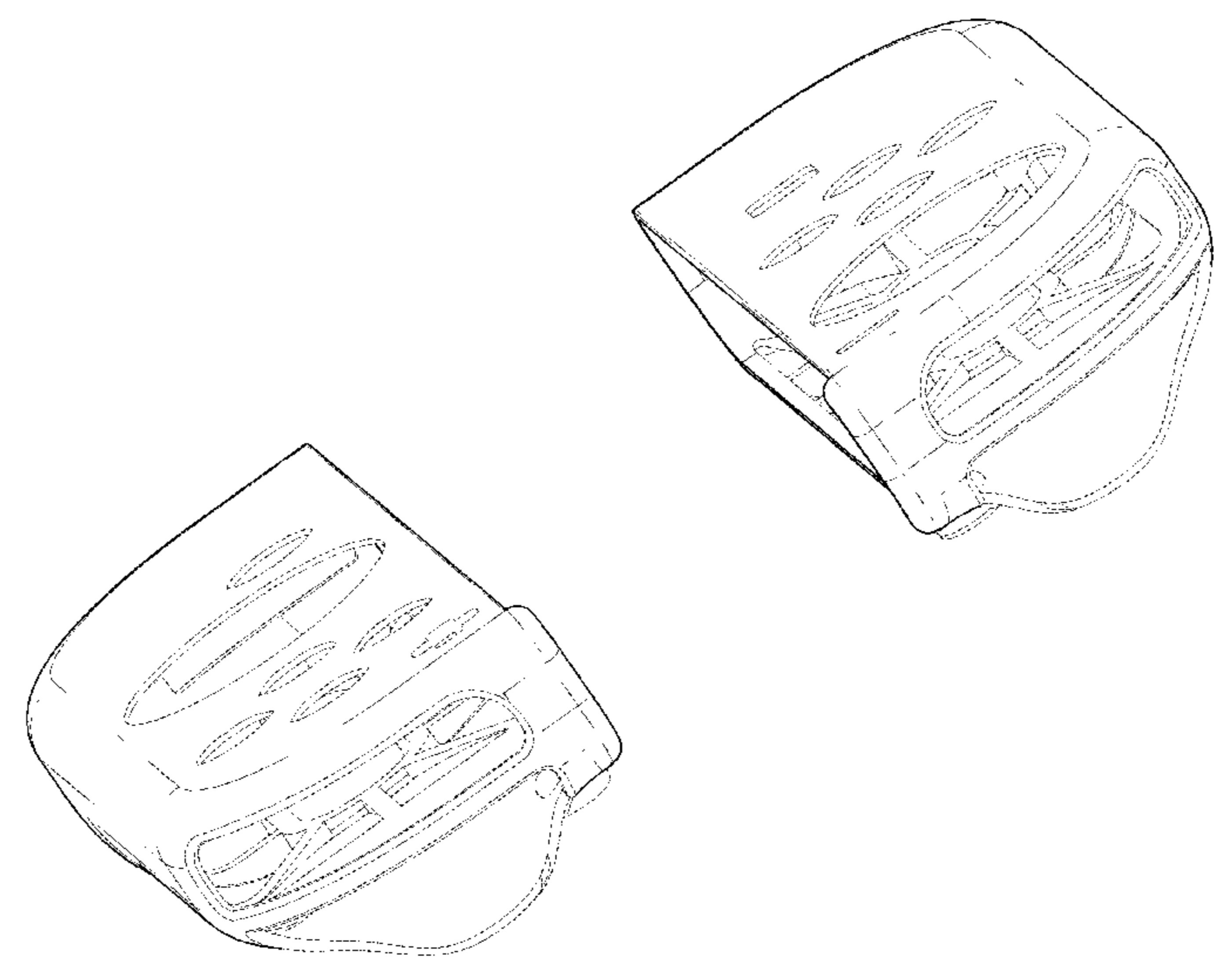
*Primary Examiner* — Prabhakar Deshmukh  
(74) *Attorney, Agent, or Firm* — Knobbe, Martens, Olson  
& Bear LLP

(57) **CLAIM**  
The ornamental design for a grip set for a video game controller, as shown and described.

**DESCRIPTION**

FIG. 1 is a top perspective view of a grip set for a video game controller showing a left grip and right grip of our design;  
FIG. 2 is a bottom perspective view thereof;  
FIG. 3 is a top plan view thereof;  
FIG. 4 is a bottom plan view thereof;  
FIG. 5 is a rear elevational view thereof;  
FIG. 6 is a front elevational view thereof;  
FIG. 7 is a left side elevational view of the left grip of a video game controller;  
FIG. 8 is a right side elevational view of the left grip of a video game controller;  
FIG. 9 is a left side elevational view of the right grip of a video game controller; and,  
FIG. 10 is a right side elevational view of the right grip of a video game controller.  
The broken lines indicate unclaimed portions and form no part of the claimed design.  
FIGS. 7-10 shows the left and right grips of a video game controller separately for clarity.

**1 Claim, 7 Drawing Sheets**



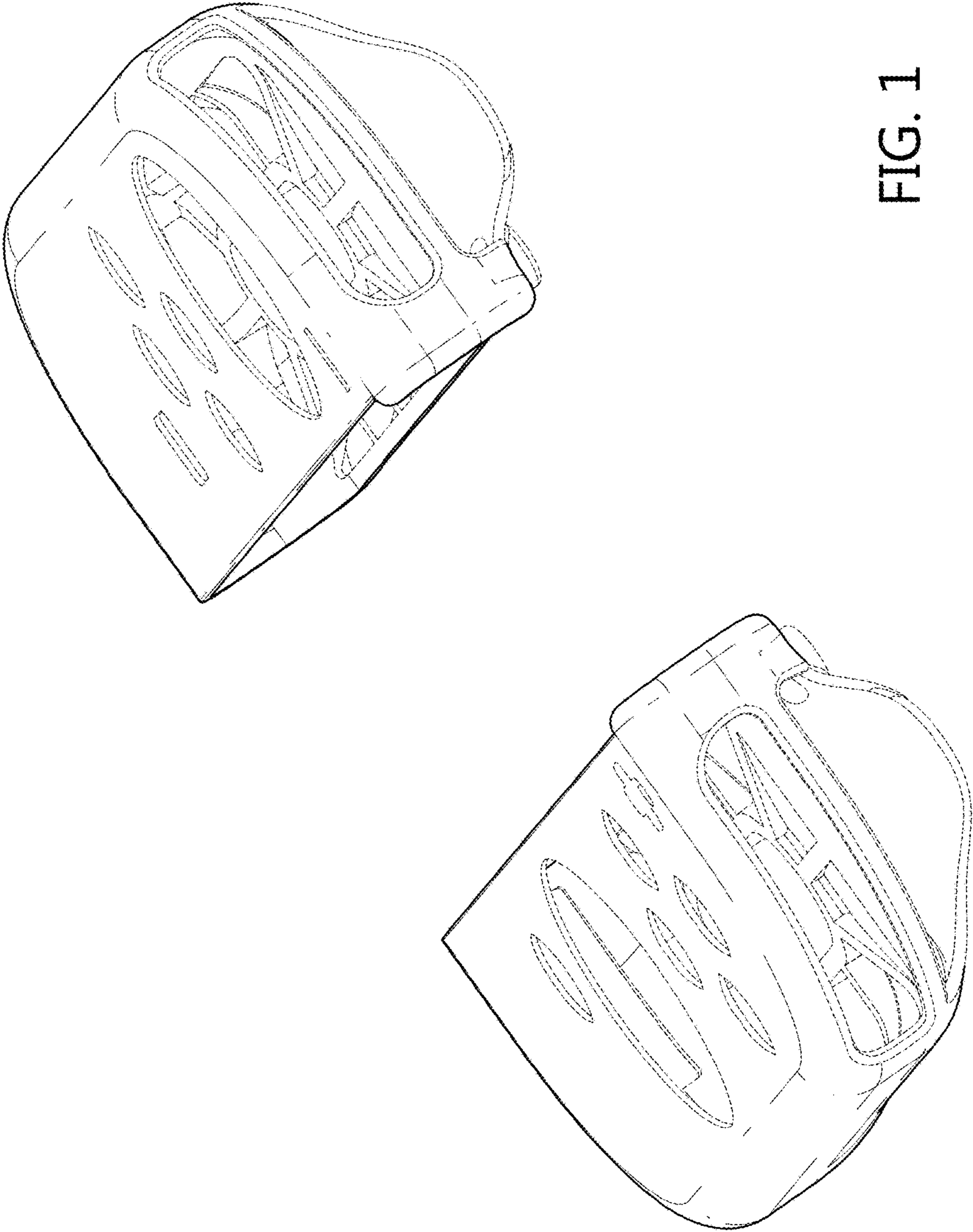


FIG. 1

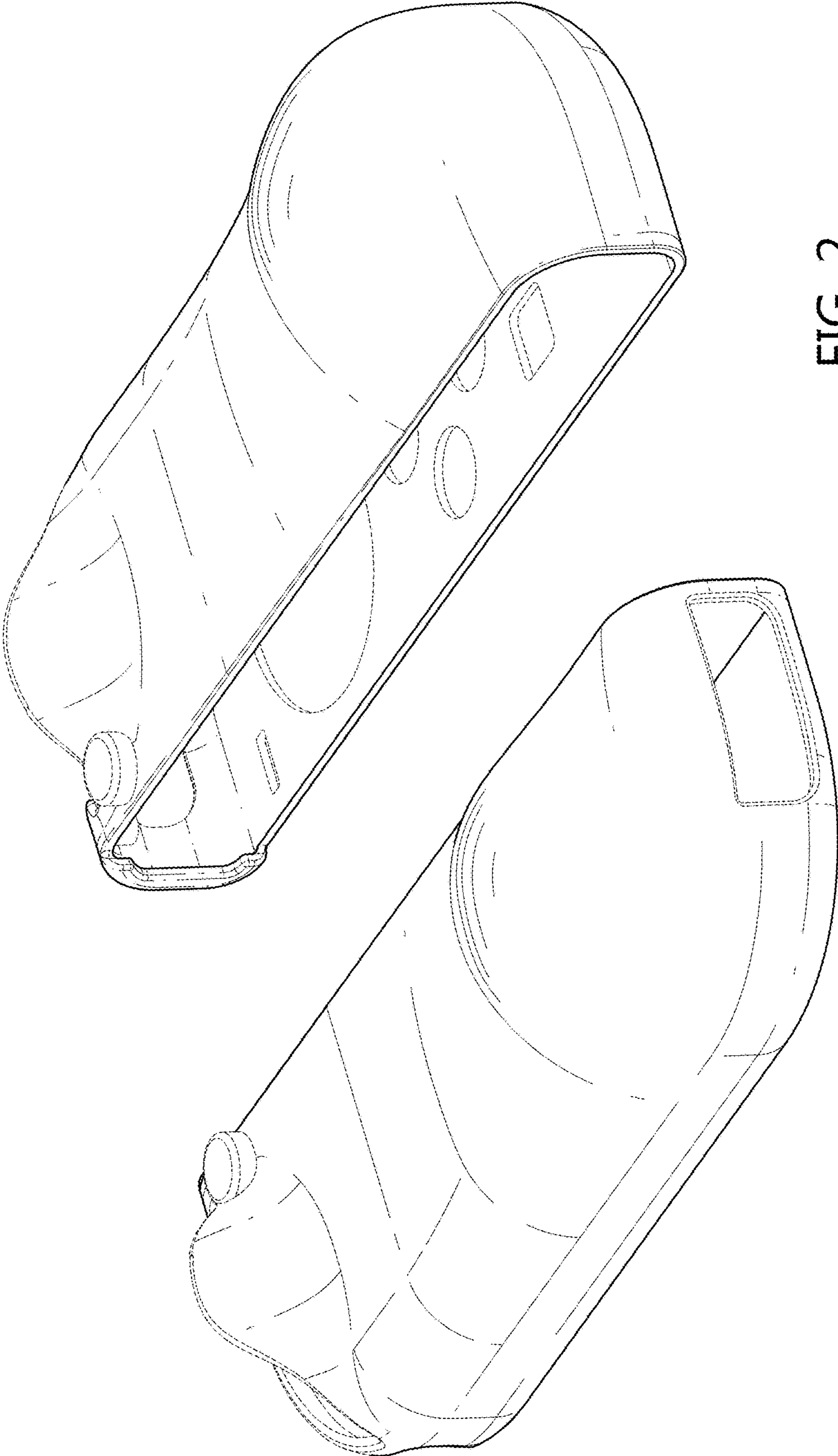


FIG. 2

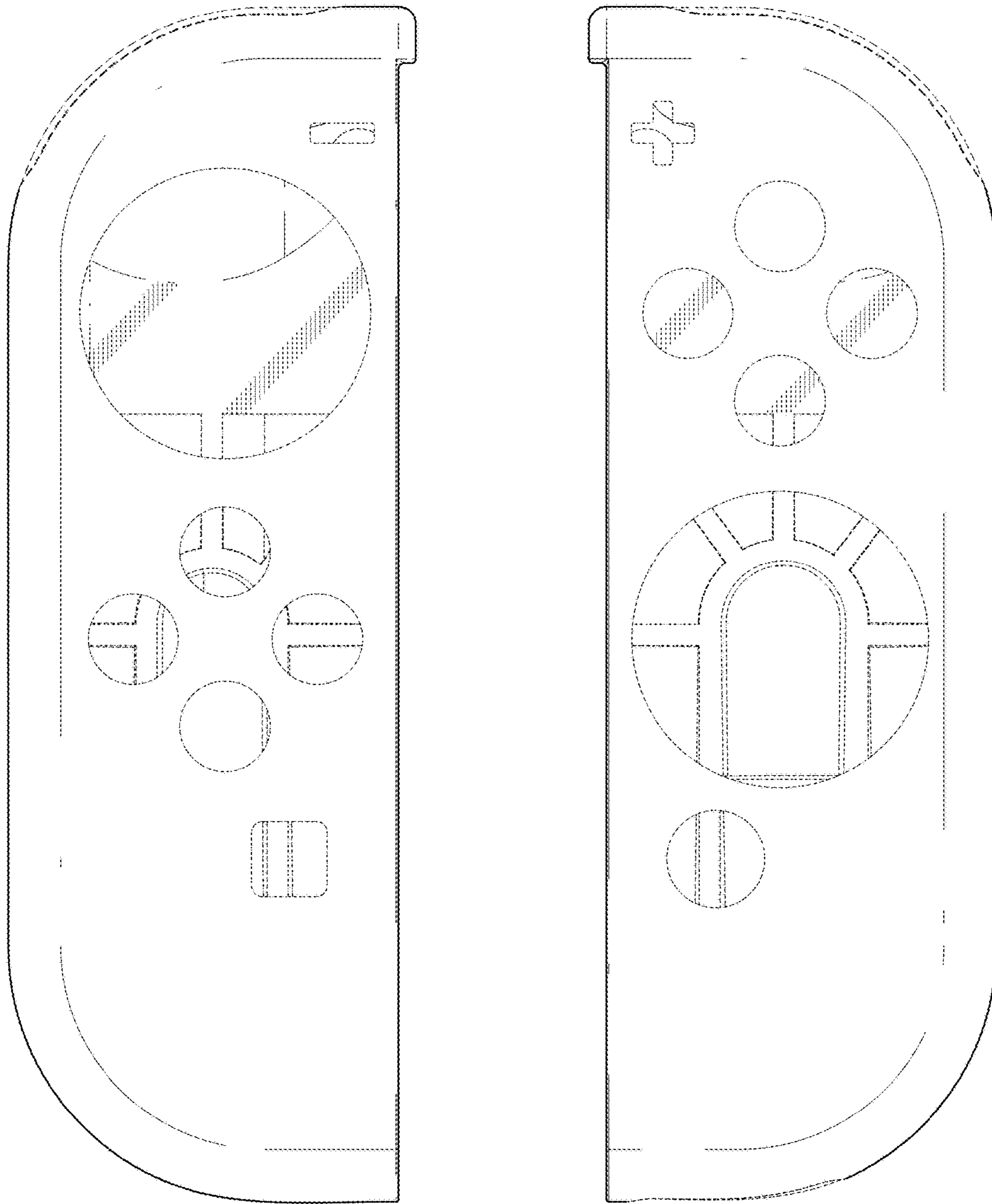


FIG. 3

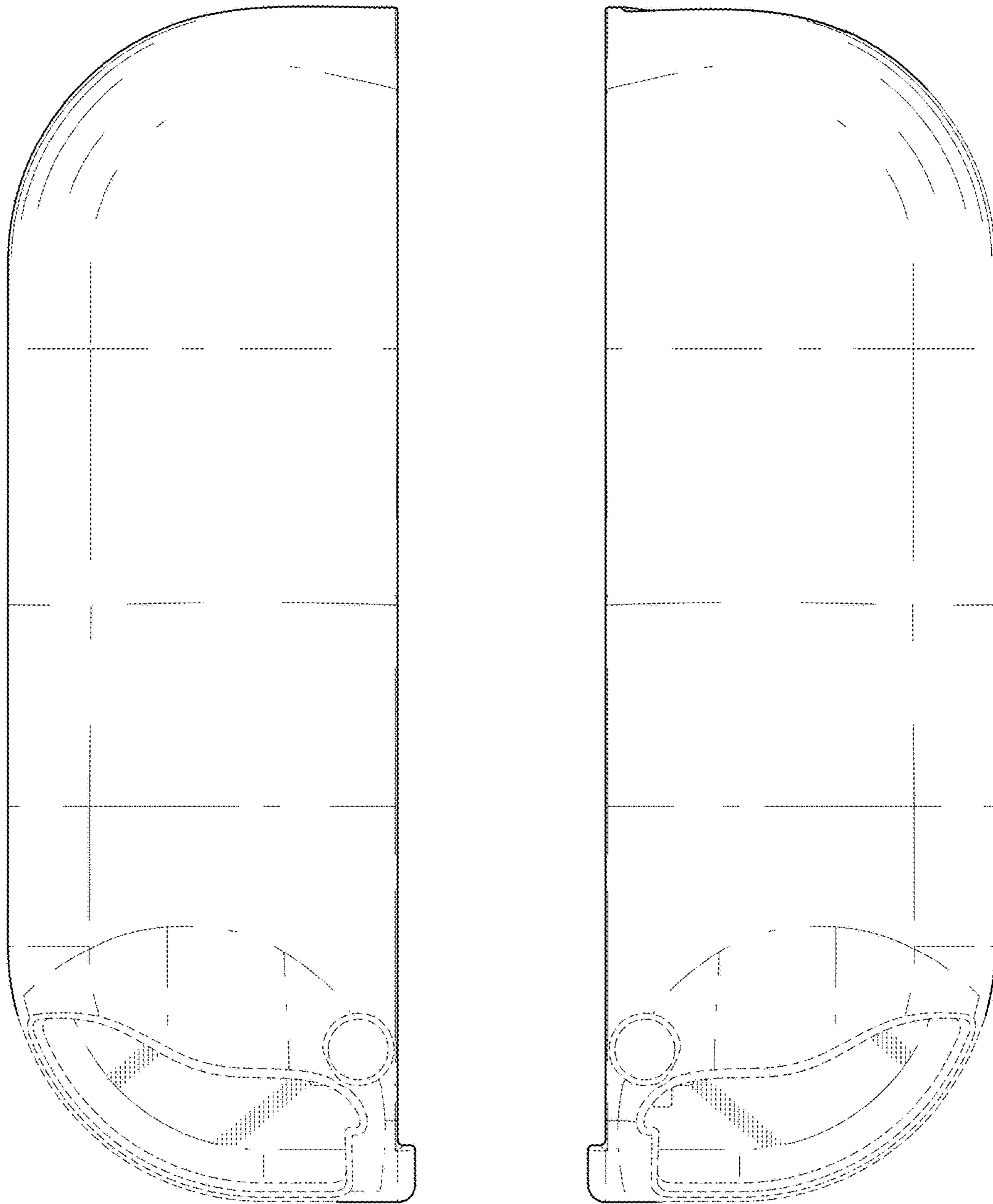


FIG. 4

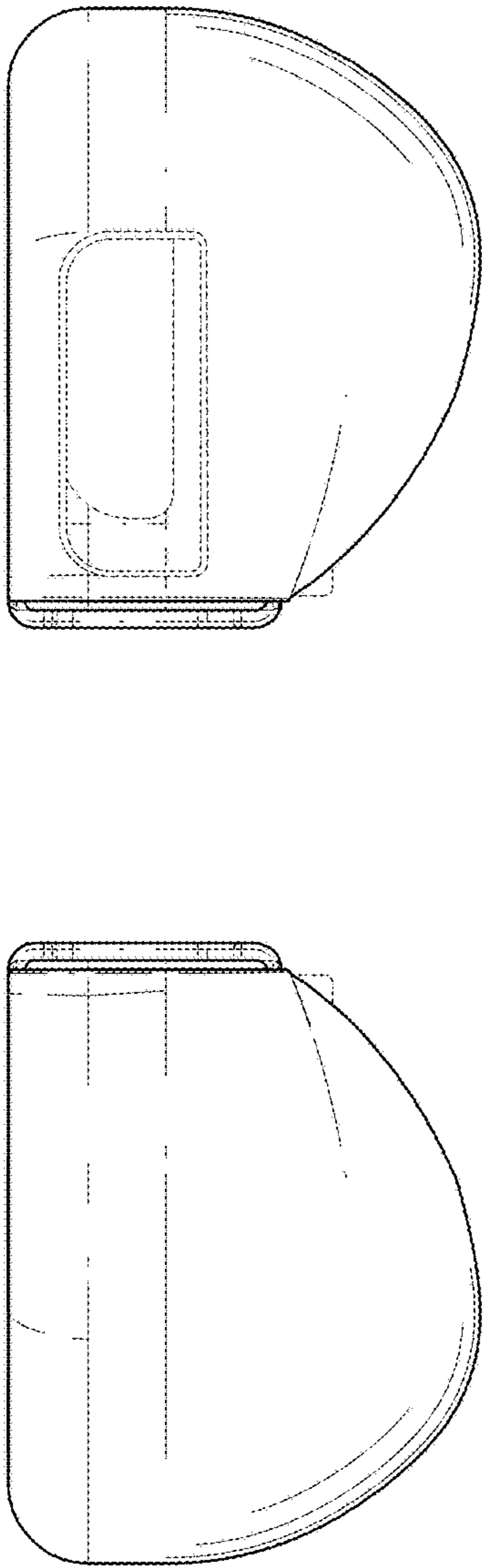


FIG. 5

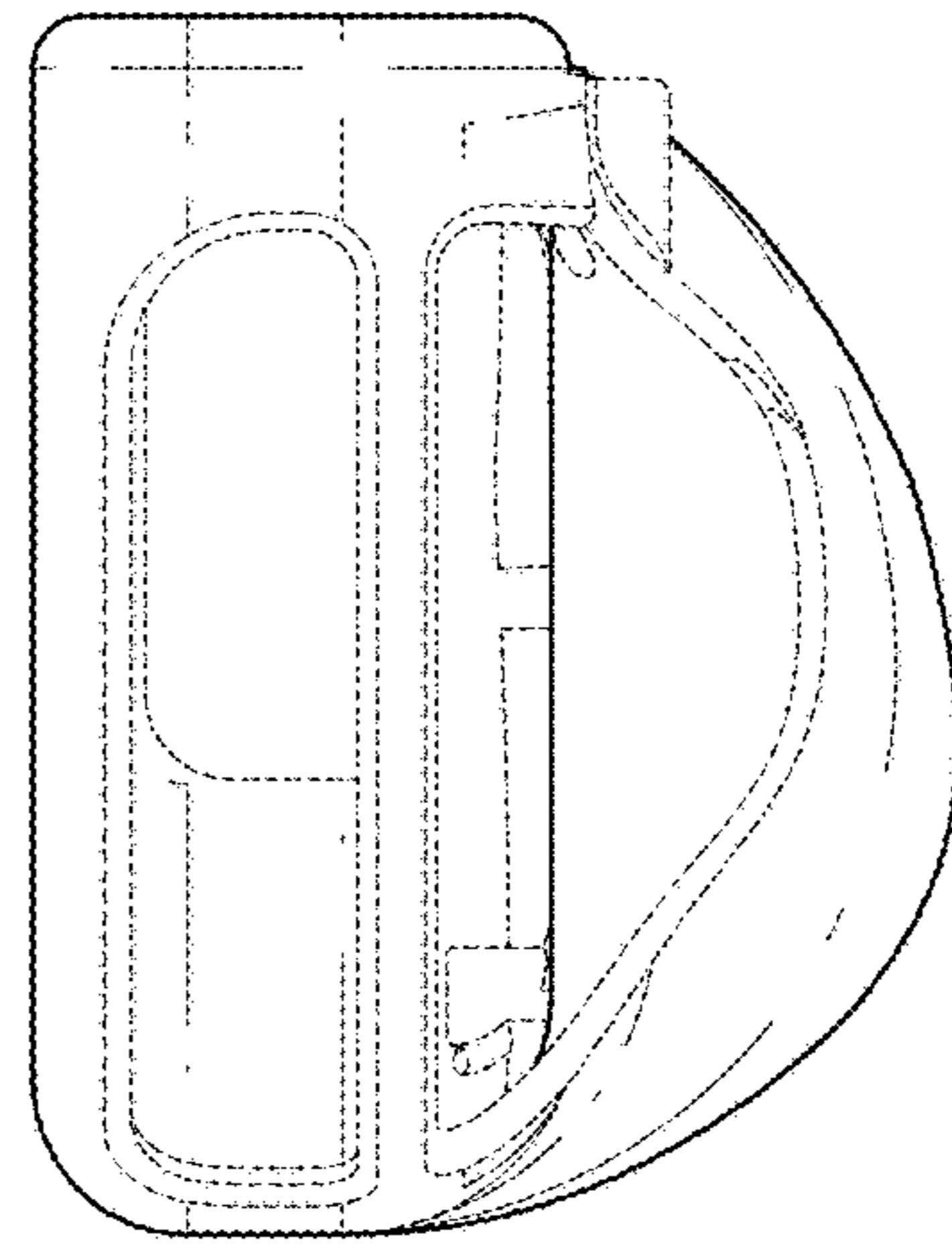
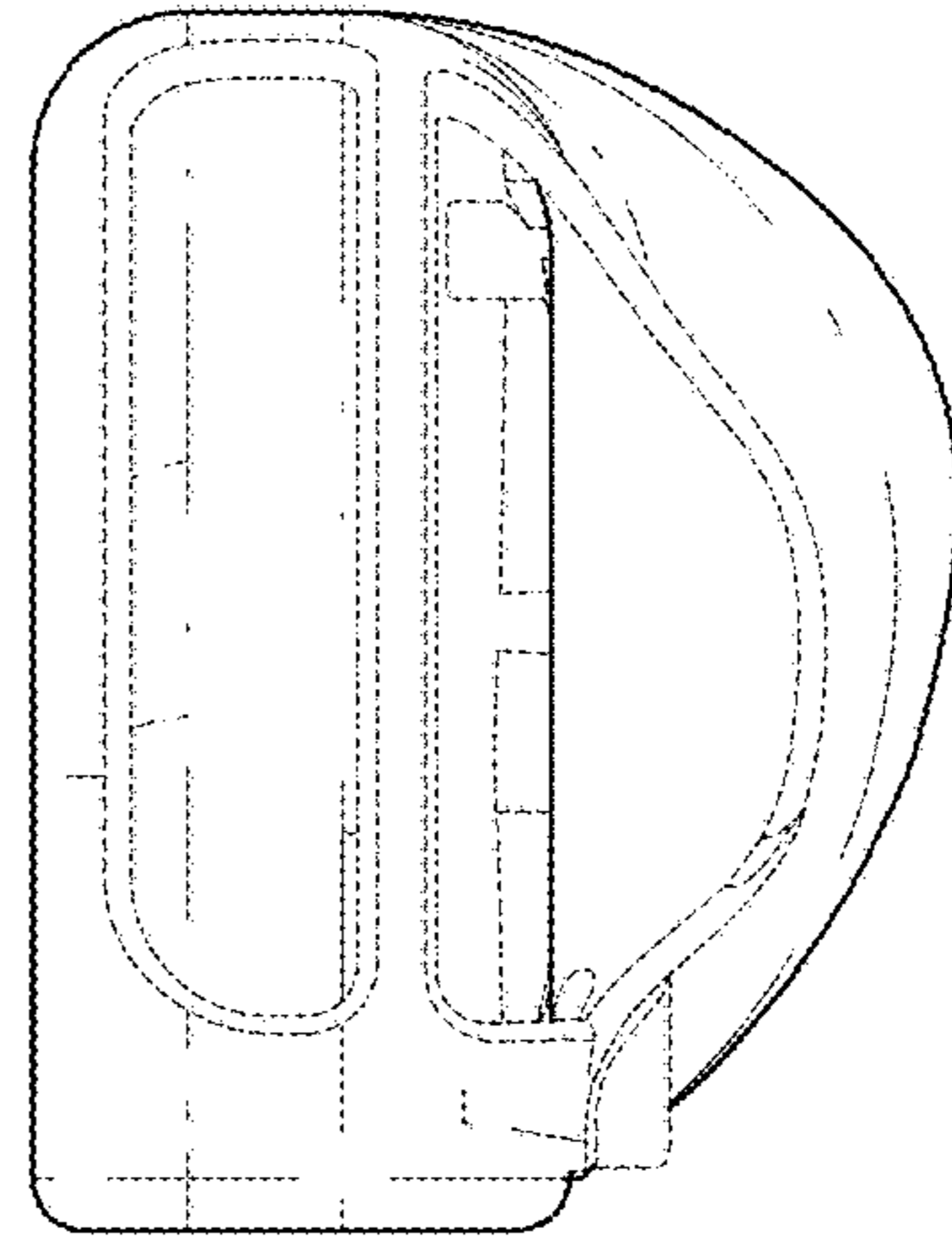


FIG. 6

FIG. 7

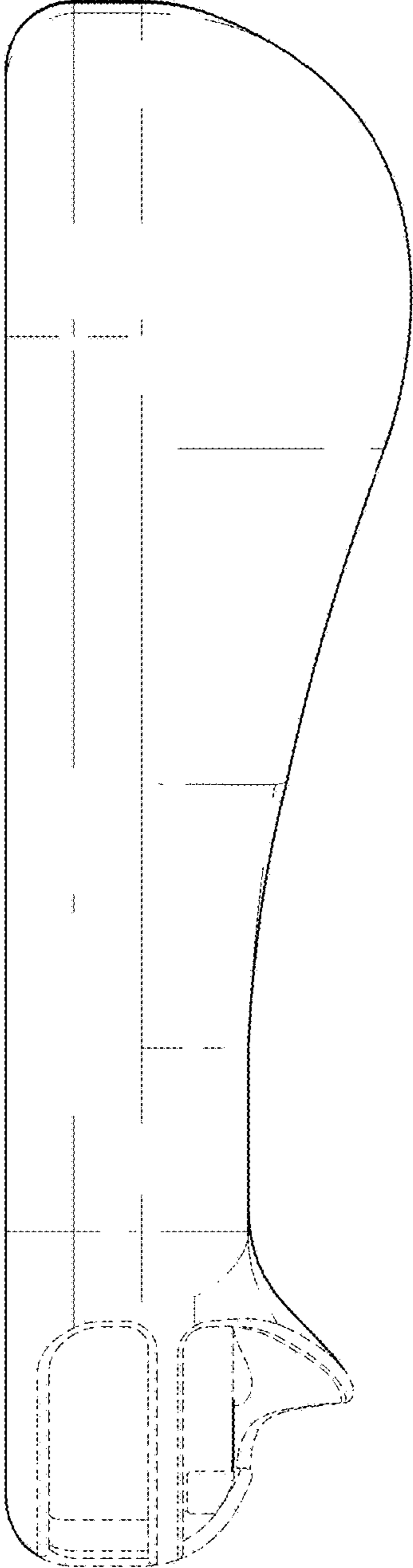


FIG. 8

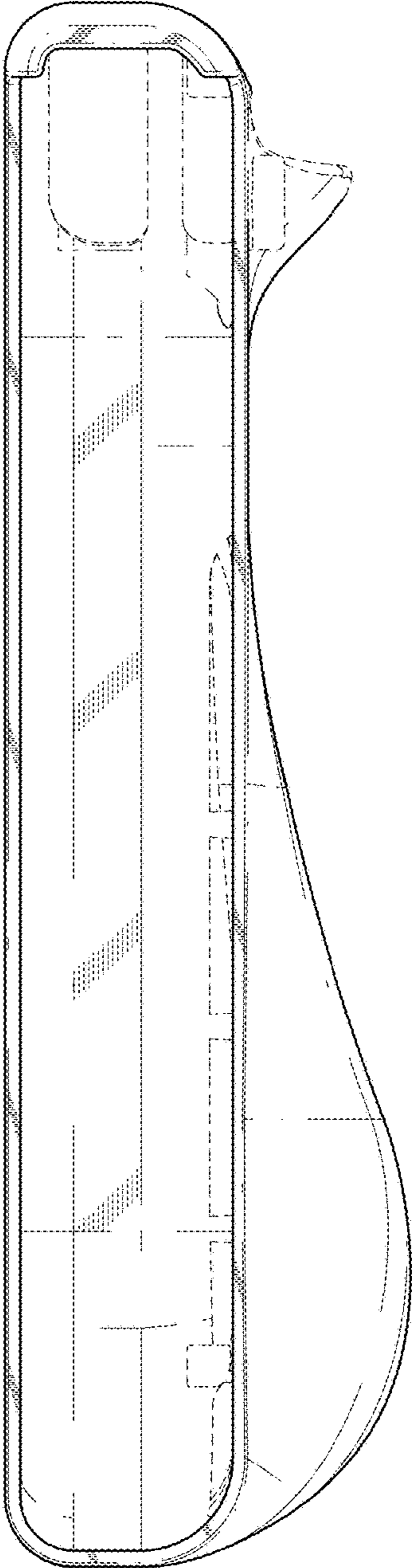


FIG. 9

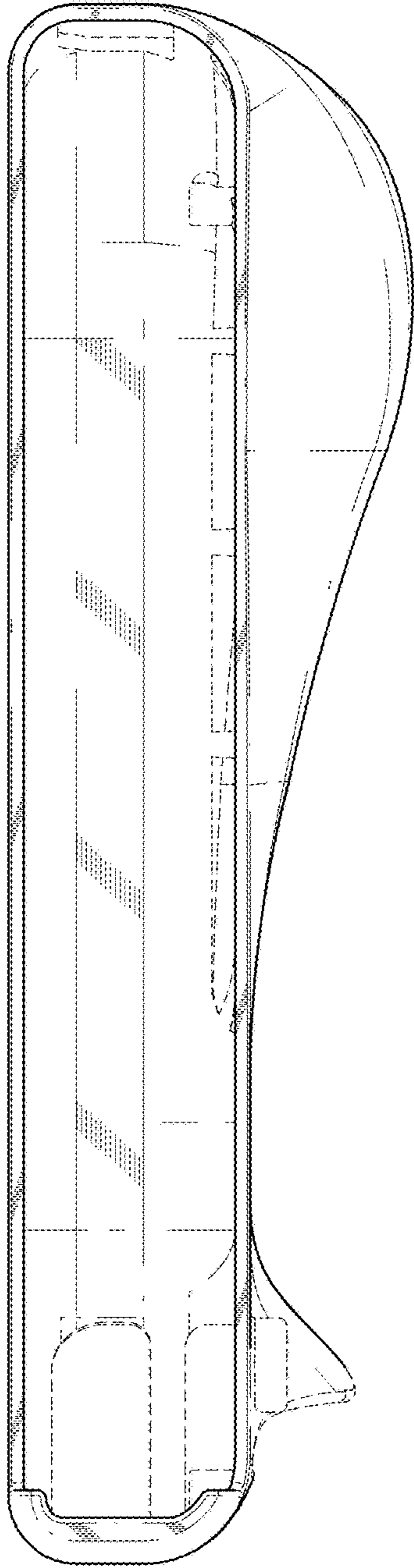


FIG. 10

