



US00D810201S

(12) **United States Design Patent** (10) **Patent No.:** **US D810,201 S**
Peng (45) **Date of Patent:** **** Feb. 13, 2018**

(54) **GAME CONSOLE SUPPORT**
(71) Applicant: **Zihao Peng**, Guangdong (CN)
(72) Inventor: **Zihao Peng**, Guangdong (CN)
(73) Assignee: **Shenzhen Jinhe Global Electronics Co, LTD.**, Shenzhen, Guangdong (CN)
(**) Term: **15 Years**
(21) Appl. No.: **29/590,141**
(22) Filed: **Jan. 6, 2017**
(51) **LOC (11) Cl.** **21-01**
(52) **U.S. Cl.**
USPC **D21/333**; D14/434; D14/432
(58) **Field of Classification Search**
USPC D14/217, 209.1, 432-434, 447, 188, 356, D14/251; D21/332, 333, 324; D13/107, D13/108, 146; 361/679.4, 361/679.31-679.33, 679.55; 455/347-357; 273/148 B; 463/1, 29-35, 463/46, 47
CPC A47B 21/04; A47B 2907/006; A47B 2097/005; A47B 2023/049
See application file for complete search history.

6,241,247 B1 * 6/2001 Sternberg A63F 13/06
273/148 B
D558,209 S * 12/2007 Ikeda D14/434
D585,898 S * 2/2009 Skurdal D14/434
D627,832 S * 11/2010 Xu D21/333
8,136,785 B1 * 3/2012 Polster A47B 23/043
248/444.1
D660,304 S * 5/2012 Vroom D14/434
D680,541 S * 4/2013 Lee D14/217
D708,619 S * 7/2014 Sogabe D14/209.1
D768,639 S * 10/2016 Sumii D14/447
9,583,955 B2 * 2/2017 Navid H02J 7/0045

* cited by examiner

Primary Examiner — Prabhakar G Deshmukh

(57) **CLAIM**

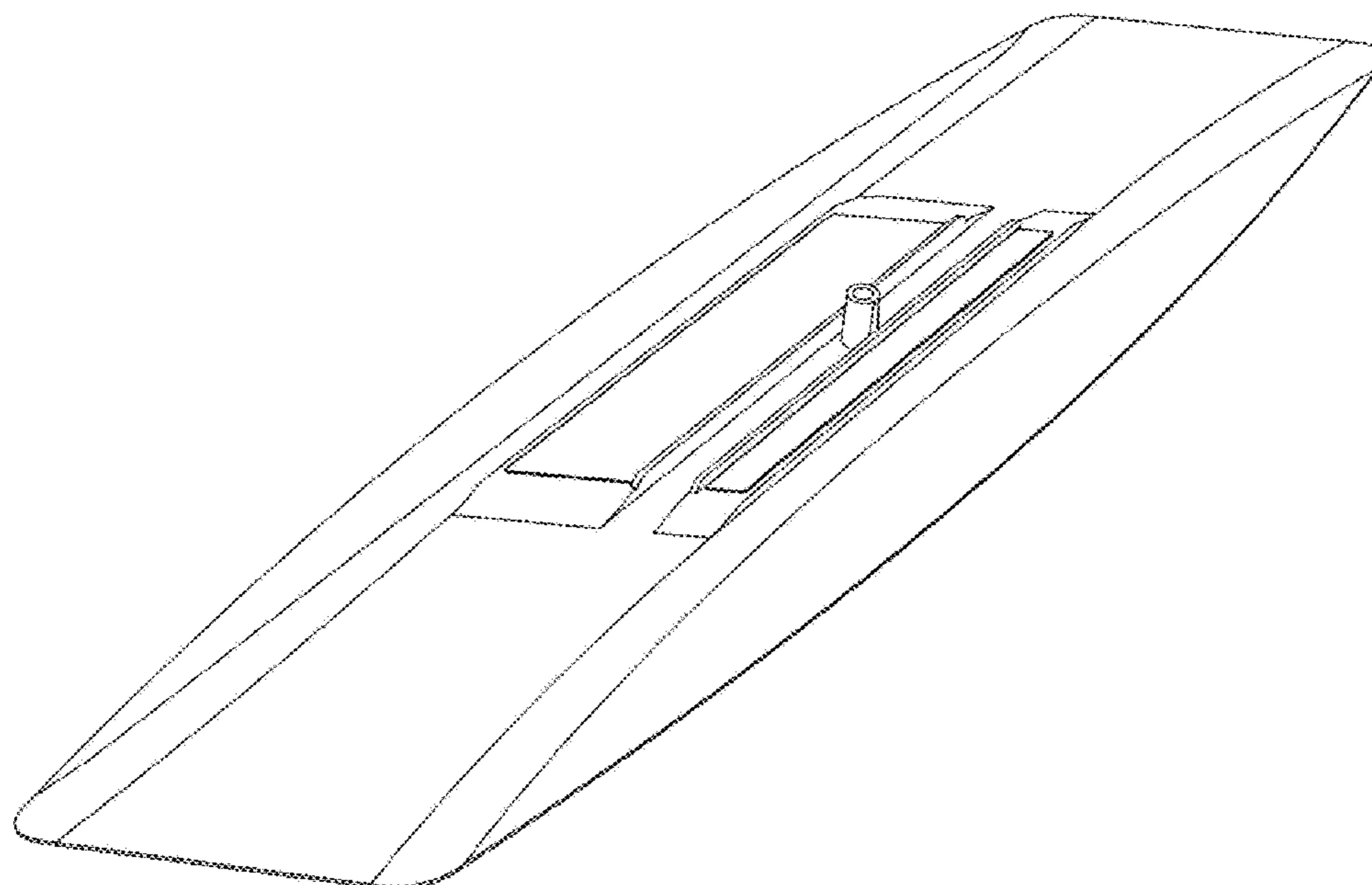
The ornamental design for game console support, as shown and described.

DESCRIPTION

FIG. 1 is a front elevational view of a game console support showing my new design;
FIG. 2 is a rear elevational view thereof;
FIG. 3 is a left side elevational view thereof;
FIG. 4 is a right side elevational view thereof;
FIG. 5 is a top plan view thereof;
FIG. 6 is a bottom plan view thereof; and,
FIG. 7 is a top perspective view thereof.

1 Claim, 7 Drawing Sheets

(56) **References Cited**
U.S. PATENT DOCUMENTS
4,512,480 A * 4/1985 Evenson B42F 17/12
108/60
4,594,802 A * 6/1986 Field G09F 3/18
40/661



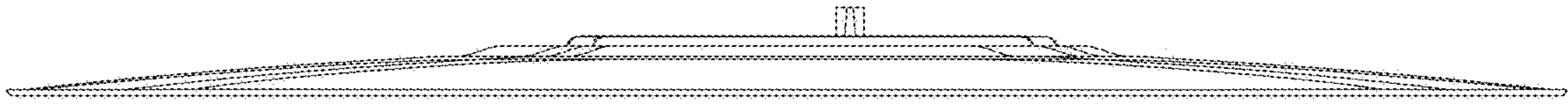


FIG.1

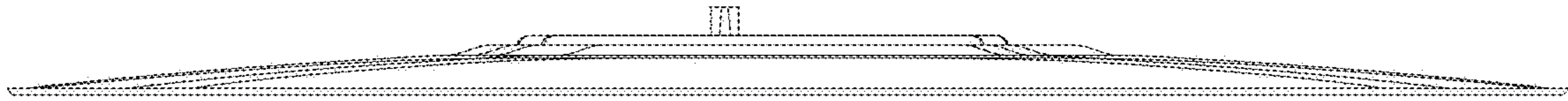


FIG.2

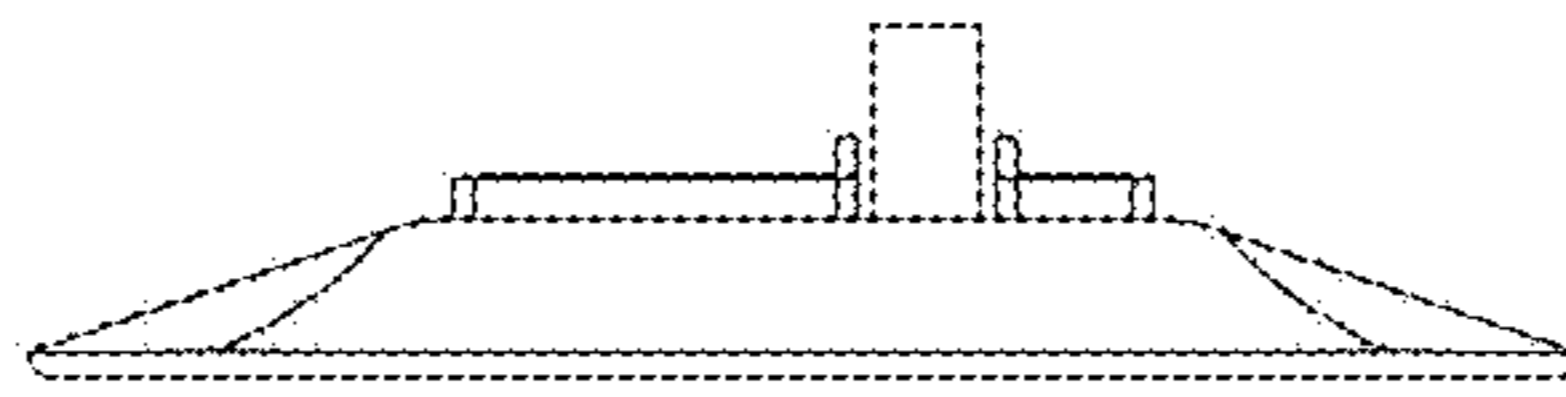


FIG.3

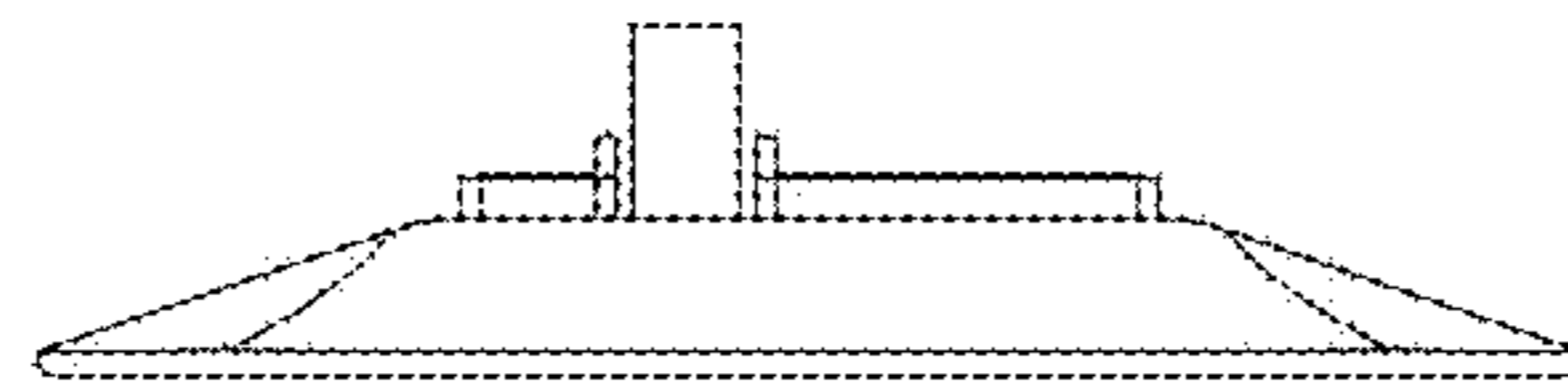


FIG.4

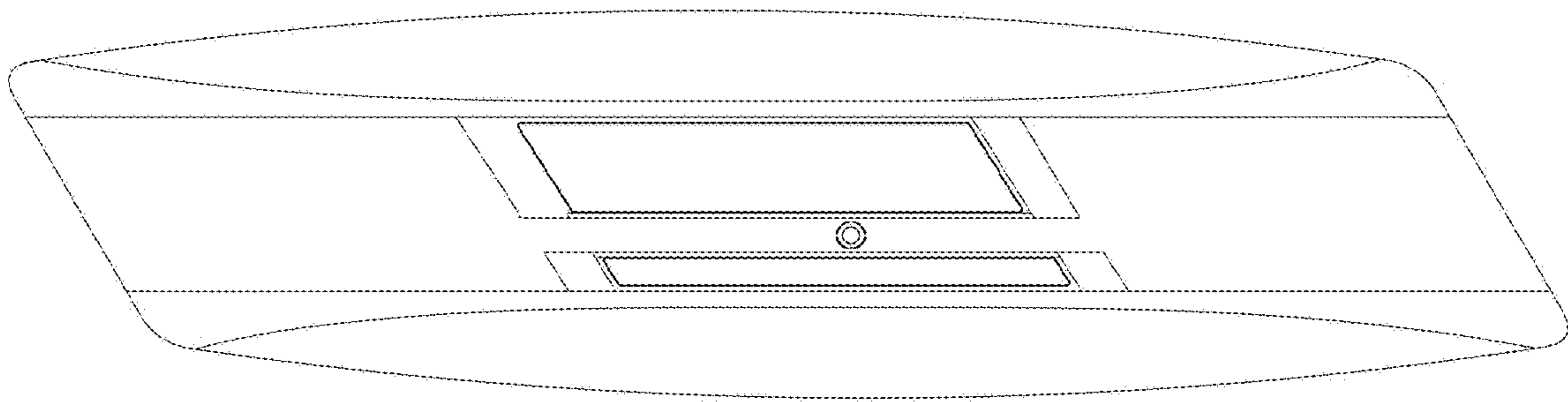


FIG.5

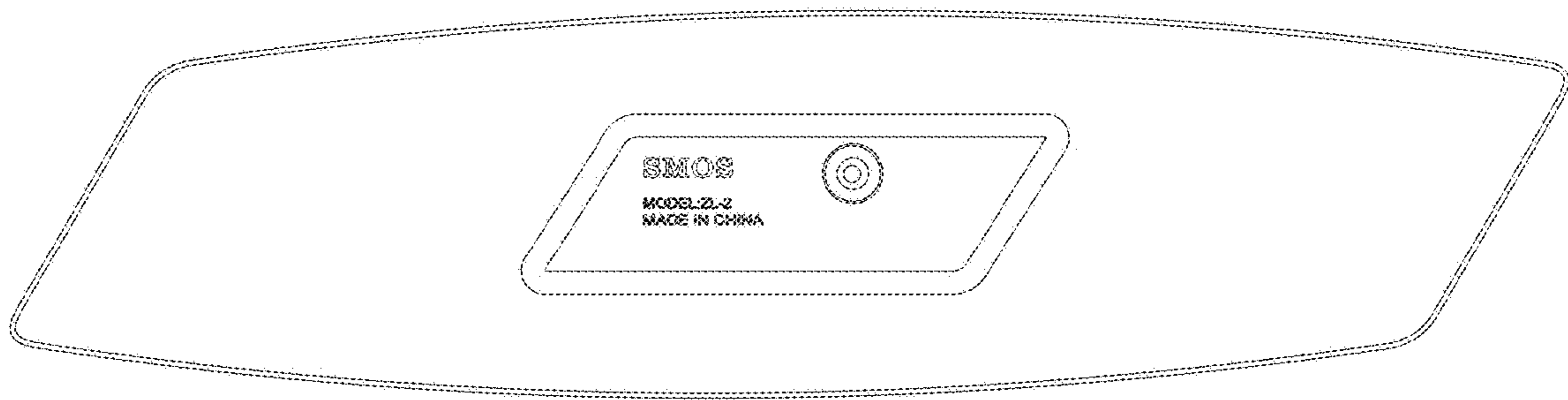


FIG. 6

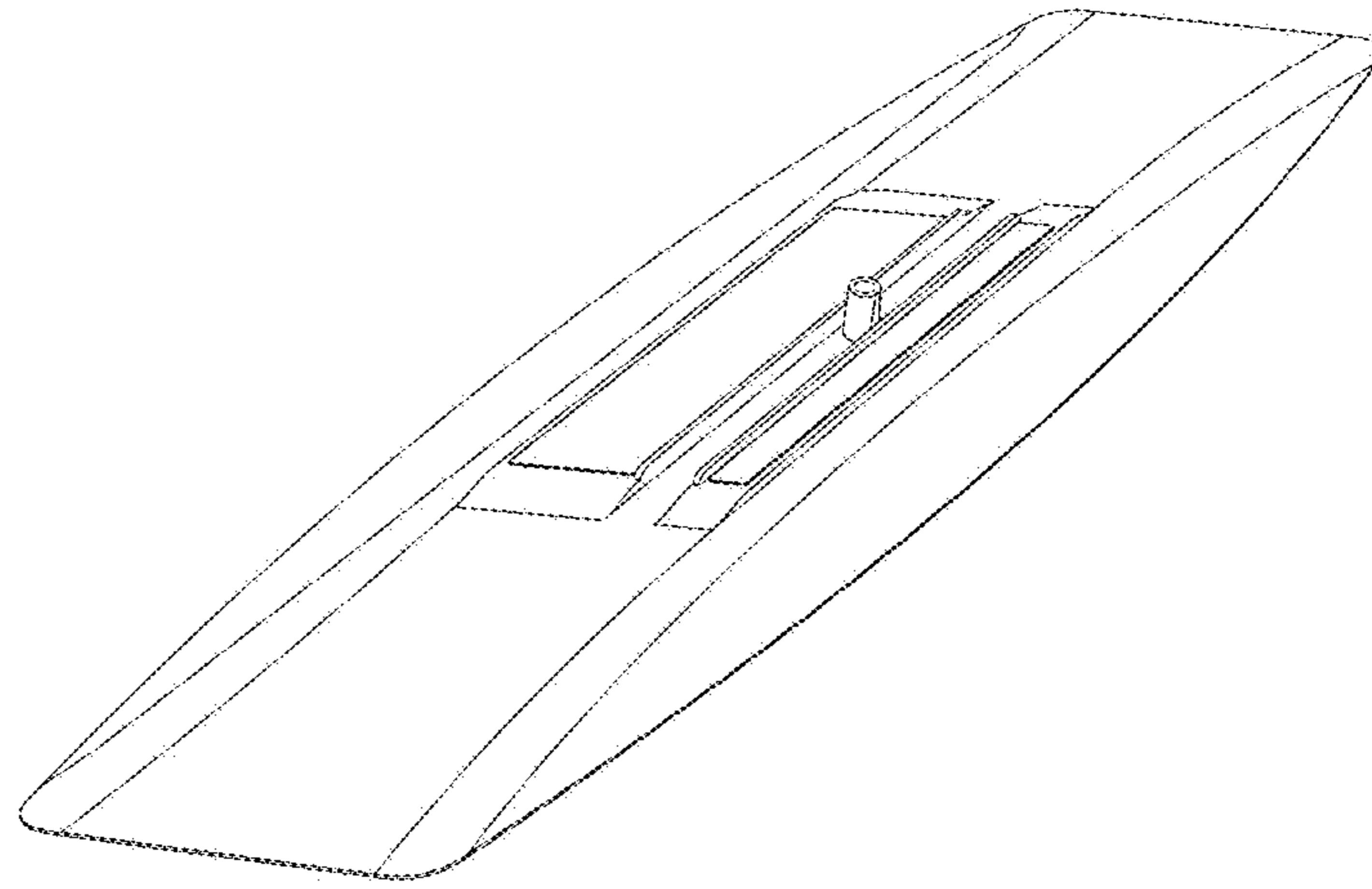


FIG.7