



US00D810200S

(12) **United States Design Patent** (10) **Patent No.:** **US D810,200 S**
Adelman et al. (45) **Date of Patent:** **** Feb. 13, 2018**

(54) **KEY IDENTIFIER**
(71) Applicant: **Nite Ize, Inc.**, Boulder, CO (US)
(72) Inventors: **Gregory M. Adelman**, Boulder, CO (US); **Peter Trench**, Boulder, CO (US)
(73) Assignee: **Nite Ize, Inc.**, Boulder, CO (US)
(**) Term: **15 Years**
(21) Appl. No.: **29/565,190**
(22) Filed: **May 18, 2016**
(51) **LOC (11) Cl.** **19-08**
(52) **U.S. Cl.**
USPC **D20/22; D8/347**
(58) **Field of Classification Search**
USPC D20/10, 11, 22-29, 39, 40-42, 99;
D8/347
CPC G09F 1/00; G09F 1/02; G09F 2003/023;
G09F 2003/0261; G09F 2003/0264; G09F
7/00; G09F 3/206; G09F 13/00; G09F
2007/1807; G09F 13/04; G09F
2013/0427; G09F 2013/0495; G09D 3/00
See application file for complete search history.

(56) **References Cited**
U.S. PATENT DOCUMENTS
2,138,309 A * 11/1938 Stevenson G09F 3/00
40/330
2,759,280 A * 8/1956 Schlage E05B 19/04
40/330
2,781,594 A * 2/1957 Stupell B44C 5/04
40/330
2,932,107 A * 4/1960 Manzardo E05B 19/24
40/330
2,982,041 A * 5/1961 Kent E05B 19/24
40/330
3,123,926 A * 3/1964 Jacobson E05B 19/24
40/330

3,209,479 A * 10/1965 Manzardo A45C 11/32
206/37.1
3,225,478 A * 12/1965 Rohmer E05B 19/24
40/330
D241,539 S * 9/1976 Iverson D20/22
D256,964 S * 9/1980 Santana D3/208
4,349,975 A * 9/1982 Chubb E05B 19/24
40/330
D283,036 S * 3/1986 Strongwater D20/28
4,901,548 A * 2/1990 Deslandes E05B 19/04
40/330
D307,704 S * 5/1990 Vonlanthen D8/347
D333,973 S * 3/1993 Eizen D8/347
6,016,676 A * 1/2000 McConnell A44B 15/005
70/395
6,604,308 B1 * 8/2003 Robles E05B 19/04
40/330

(Continued)

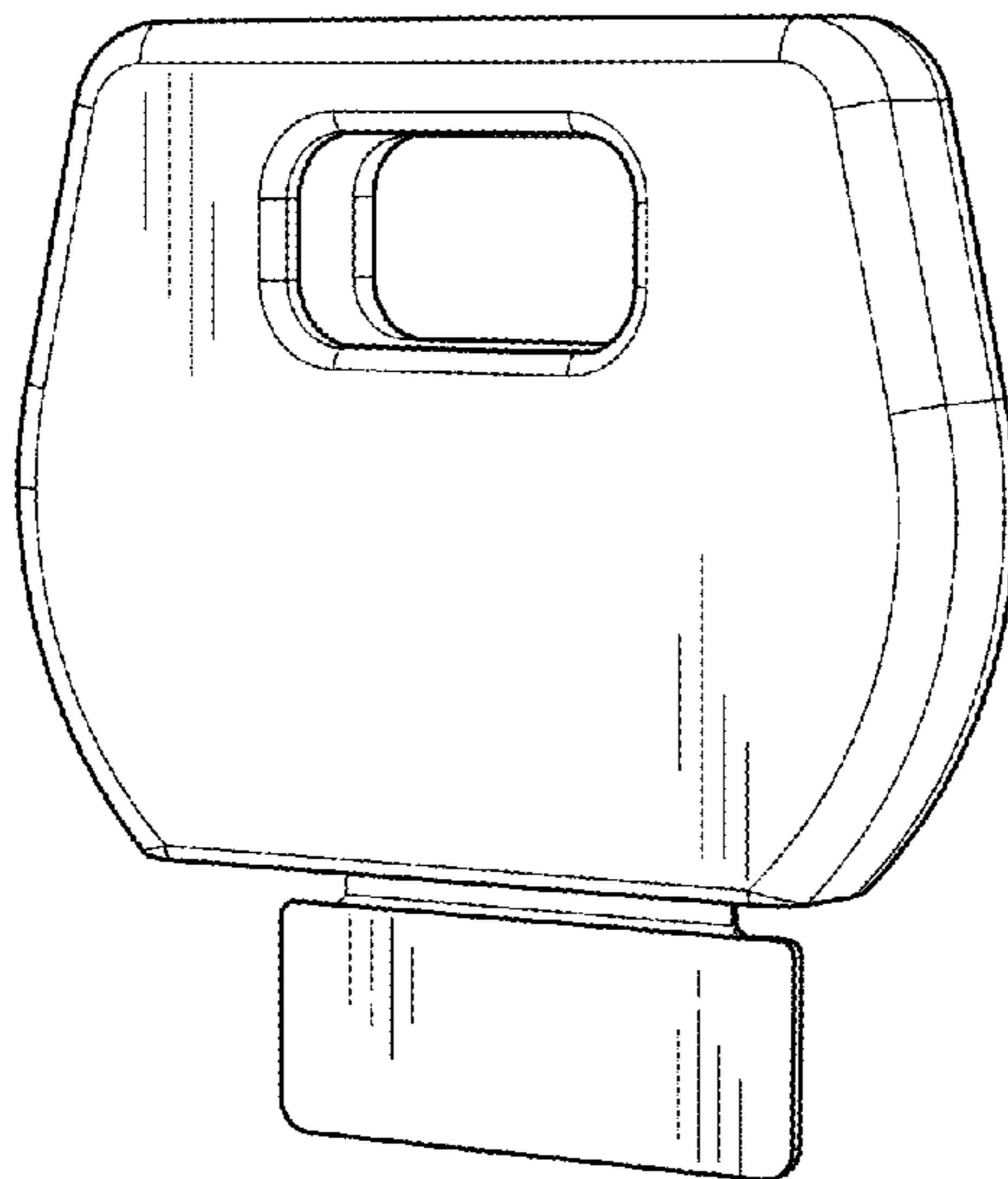
Primary Examiner — Mary Ann Calabrese
Assistant Examiner — Sloan Rozin
(74) *Attorney, Agent, or Firm* — Haynes and Boone, LLP

(57) **CLAIM**
The ornamental design for a key identifier, as shown and described.

DESCRIPTION

FIG. 1 is a right front perspective view of the key identifier; FIG. 2 is a left bottom perspective view of the key identifier of FIG. 1; FIG. 3 is a front view of the key identifier of FIG. 1; FIG. 4 is a back view of the key identifier of FIG. 1; FIG. 5 is a top view of the key identifier of FIG. 1; FIG. 6 is a bottom perspective view of the key identifier of FIG. 1; FIG. 7 is a bottom view of the key identifier of FIG. 1; FIG. 8 is a right side view of the key identifier of FIG. 1; and, FIG. 9 is a left side view of the key identifier of FIG. 1.

1 Claim, 4 Drawing Sheets



(56)

References Cited

U.S. PATENT DOCUMENTS

6,651,470 B1 * 11/2003 Rafter E05B 19/04
70/395
D496,848 S * 10/2004 Freeman D8/347
6,951,122 B1 * 10/2005 Jheng E05B 19/04
40/330
7,036,950 B1 * 5/2006 Freeman E05B 17/10
362/100
D582,484 S * 12/2008 Oas D20/22
7,587,848 B2 * 9/2009 Wilson E05B 19/24
156/86
8,511,122 B1 * 8/2013 Mendoza E05B 19/04
70/395
D705,642 S * 5/2014 Pellegrini D8/347
D725,994 S * 4/2015 Pellegrini D8/347
D725,995 S * 4/2015 Pellegrini D8/347
D725,996 S * 4/2015 Pellegrini D8/347
D761,081 S * 7/2016 Yamada D8/347
D772,031 S * 11/2016 Wu D26/38
D777,560 S * 1/2017 Jung D8/347
D782,900 S * 4/2017 Mendoza D8/347
9,771,739 B1 * 9/2017 Wells E05B 19/04

* cited by examiner

FIG. 1

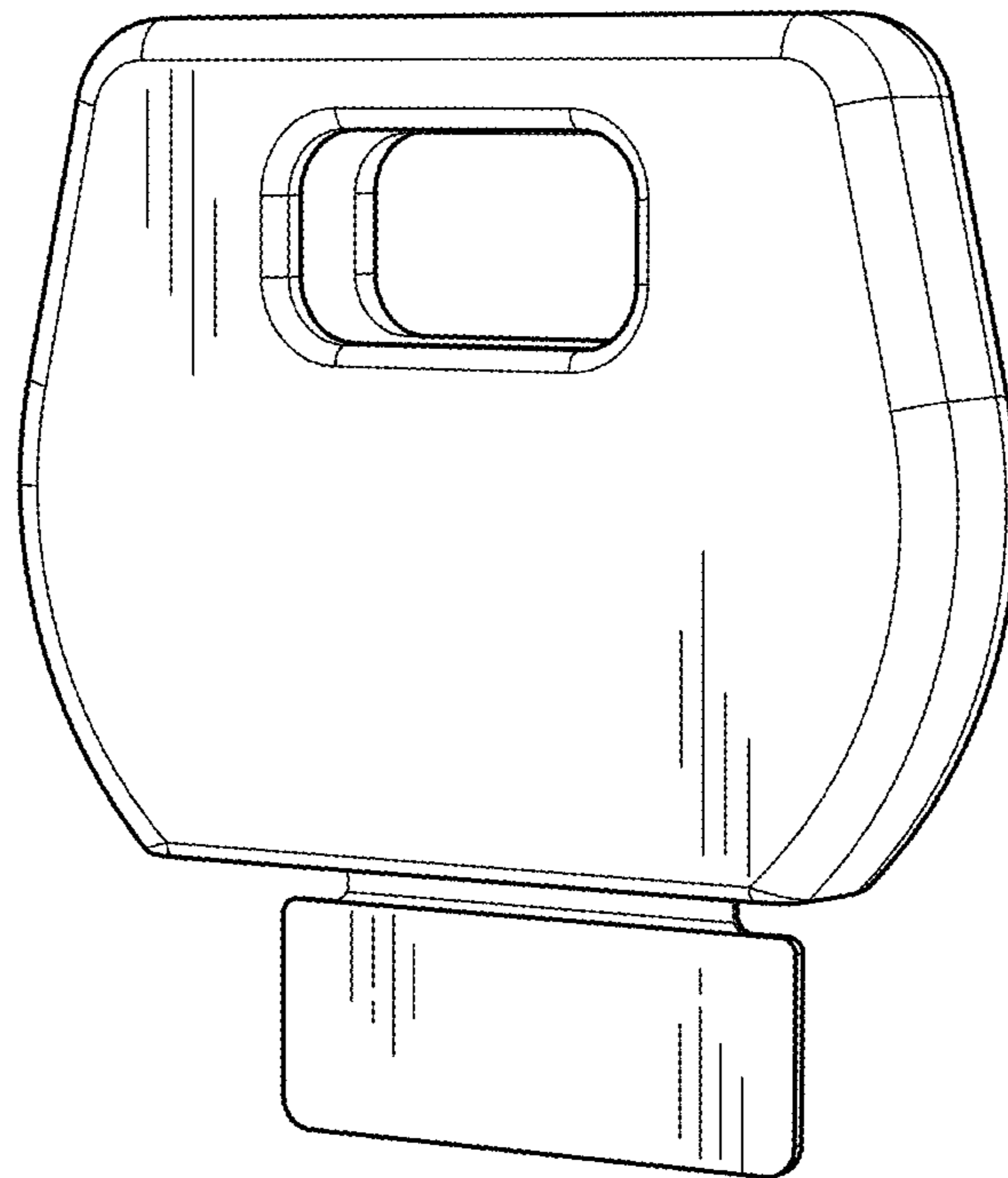


FIG. 2

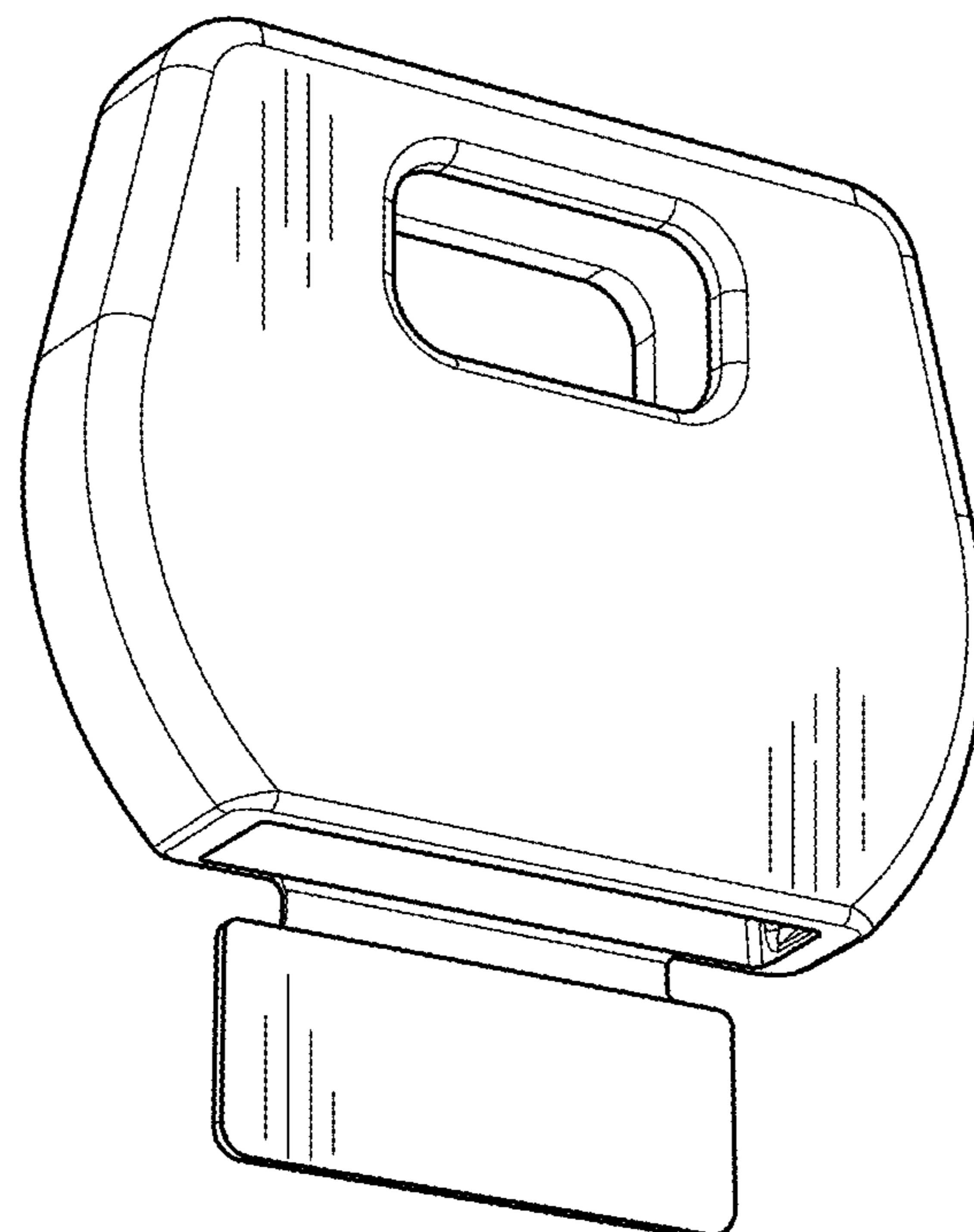


FIG. 3

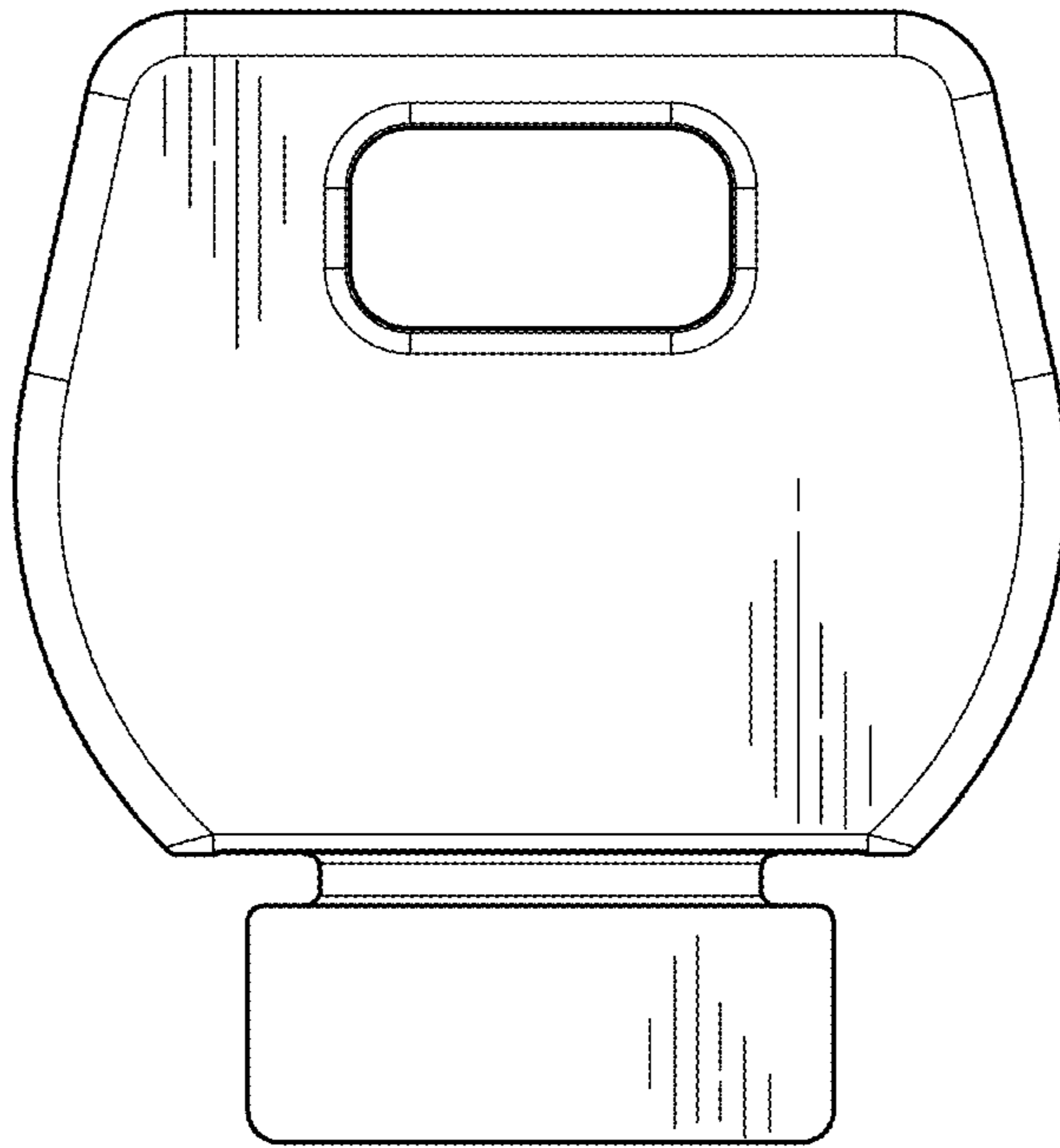


FIG. 4

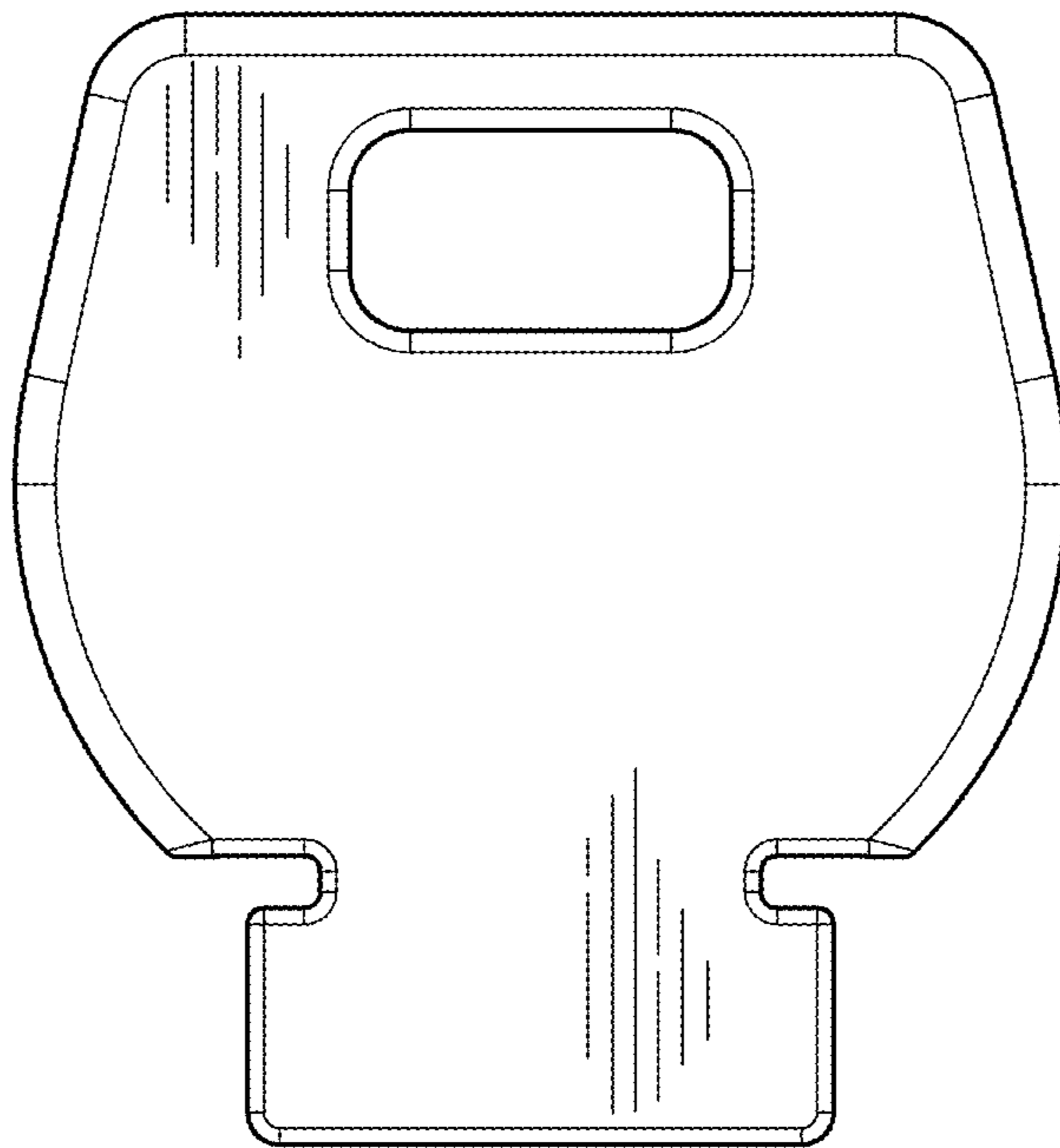


FIG. 5

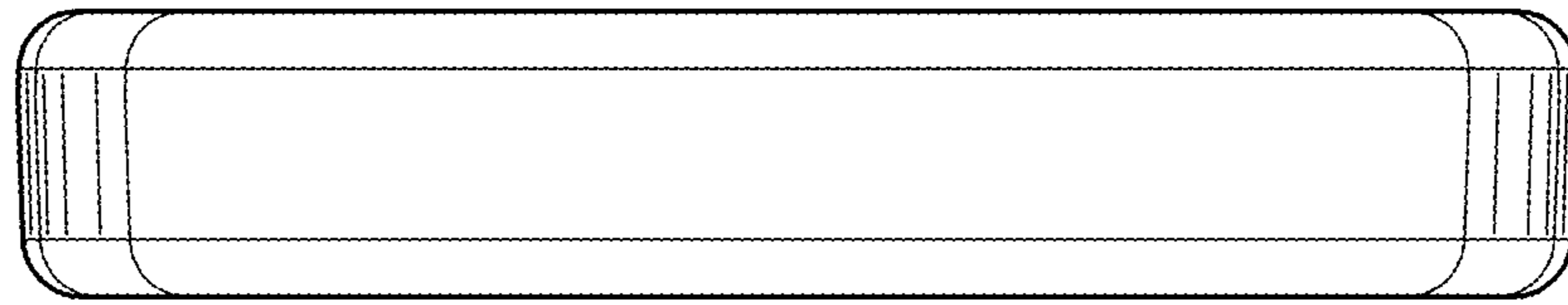


FIG. 6

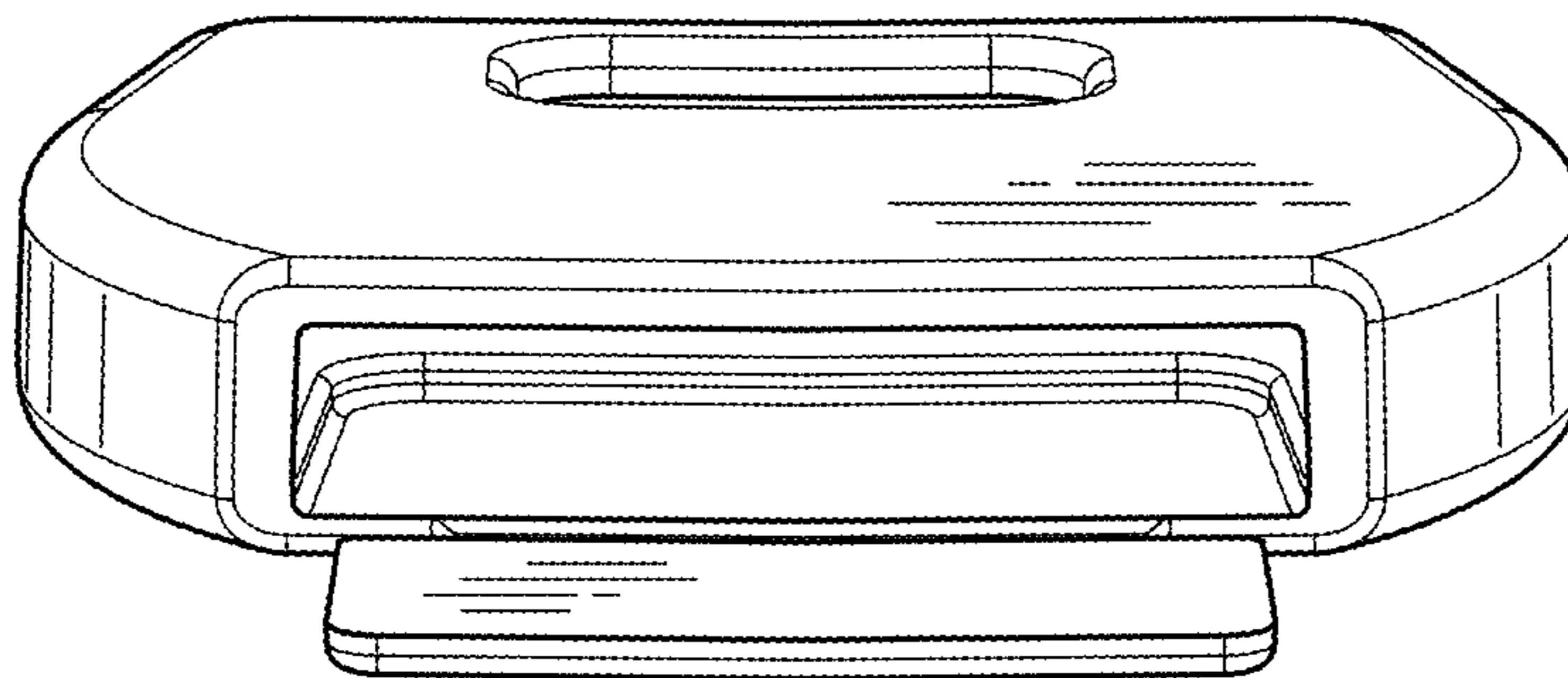


FIG. 7

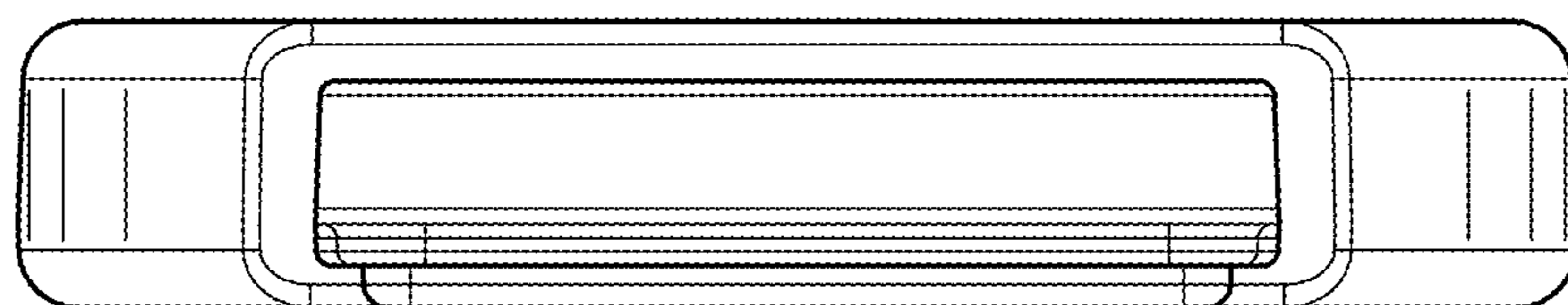


FIG. 8

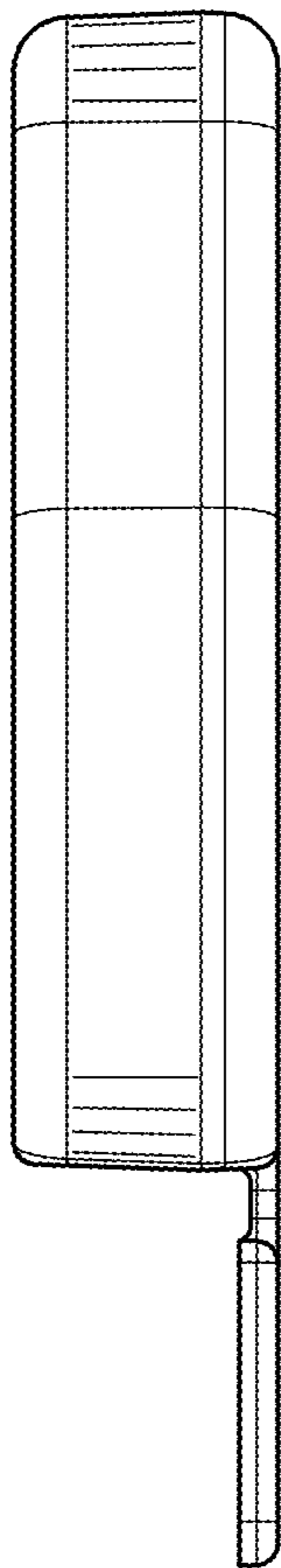


FIG. 9

