



US00D810197S

(12) **United States Design Patent**
Parekh

(10) **Patent No.:** **US D810,197 S**

(45) **Date of Patent:** **** Feb. 13, 2018**

(54) **GLUE STICK WITH HIGHLIGHTER**

(71) Applicant: **Pidilite Industries Limited**, Mumbai (IN)

(72) Inventor: **Madhukar Balvantray Parekh**, Mumbai (IN)

(73) Assignee: **Pidilite Industries Limited**, Mumbai (IN)

(**) Term: **15 Years**

(21) Appl. No.: **29/567,275**

(22) Filed: **Jun. 7, 2016**

(30) **Foreign Application Priority Data**

Feb. 8, 2016 (IN) 280194

(51) **LOC (11) Cl.** **19-06**

(52) **U.S. Cl.**
USPC **D19/66; D19/901**

(58) **Field of Classification Search**
USPC D9/436, 446, 723; D14/411;
D19/115-204, 81-85, 66, 70, 71
CPC ... B43K 5/00; B43K 7/00; B43K 7/12; B43K
8/04; B43K 8/06; B43K 19/00; B43K
19/02; B43K 19/14; B43K 24/08
See application file for complete search history.

(56) **References Cited**

U.S. PATENT DOCUMENTS

- D200,385 S * 2/1965 Tinsley D19/163
- D219,900 S * 2/1971 van Lelyveld D28/51
- D255,654 S * 7/1980 Goss D9/529
- D287,373 S * 12/1986 Renault D19/165
- D292,672 S * 11/1987 Duell D28/7

- D303,631 S * 9/1989 Demarest D28/7
- D309,755 S * 8/1990 Halm D19/66
- D318,688 S * 7/1991 Renault D19/166
- D341,227 S * 11/1993 Lang D28/76
- D375,256 S * 11/1996 Chadfield D28/7
- D429,845 S * 8/2000 Lang D24/119
- D429,847 S * 8/2000 Lang D28/7
- D470,888 S * 2/2003 Kuboshima D19/66
- 6,572,297 B2 * 6/2003 Korper B43K 17/00
401/183
- D601,626 S * 10/2009 Liu D19/163
- D654,375 S * 2/2012 Kuboshima D9/443
- D667,948 S * 9/2012 Moldenhauer D24/113
- D681,731 S * 5/2013 Yasunaga D19/194
- D701,571 S * 3/2014 Perkins D19/163
- D745,742 S * 12/2015 Betts D28/7
- 2002/0192010 A1 * 12/2002 Korper B43K 17/00
401/198

* cited by examiner

Primary Examiner — Elizabeth Albert

(74) *Attorney, Agent, or Firm* — Shumaker, Loop & Kendrick, LLP

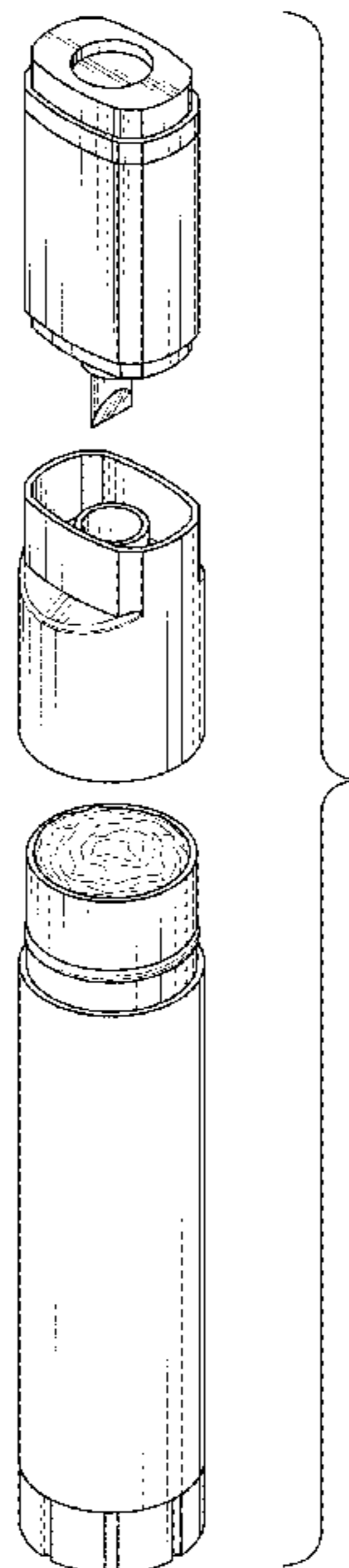
(57) **CLAIM**

The ornamental design for a glue stick with highlighter, as shown and described.

DESCRIPTION

FIG. 1 is a perspective view of the new design for a glue stick with highlighter;
 FIG. 2 is a front view thereof;
 FIG. 3 is a right side view thereof, the left side being a mirror image of the right side;
 FIG. 4 is a top view thereof;
 FIG. 5 is a bottom view thereof; and,
 FIG. 6 is an exploded view thereof.

1 Claim, 5 Drawing Sheets



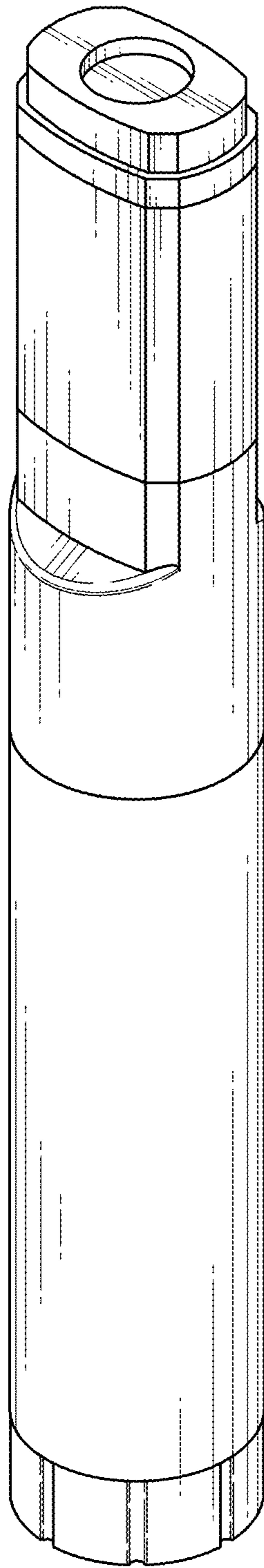


FIG. 1

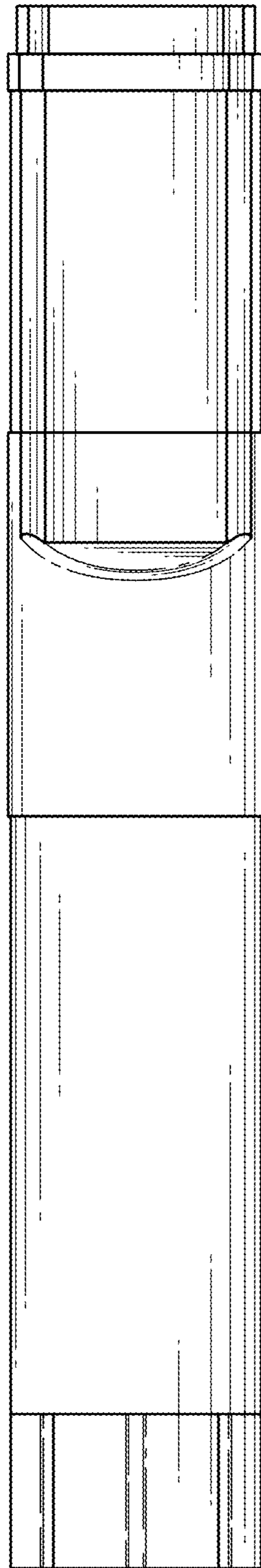


FIG. 2

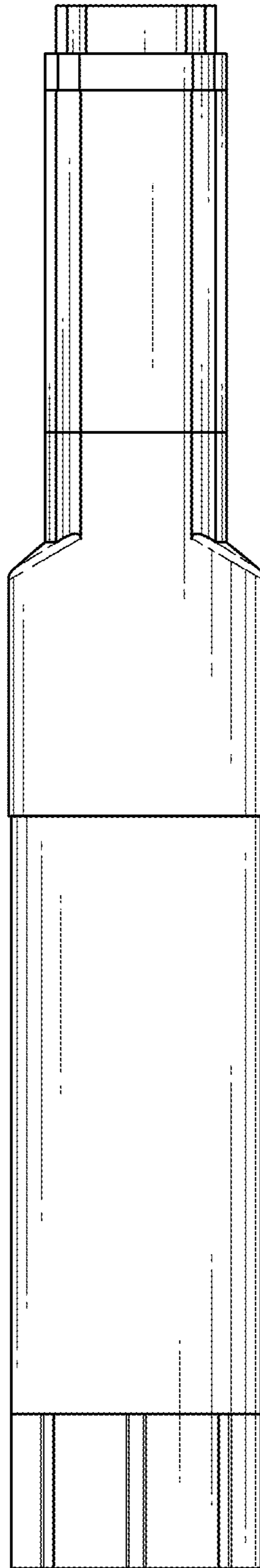


FIG. 3

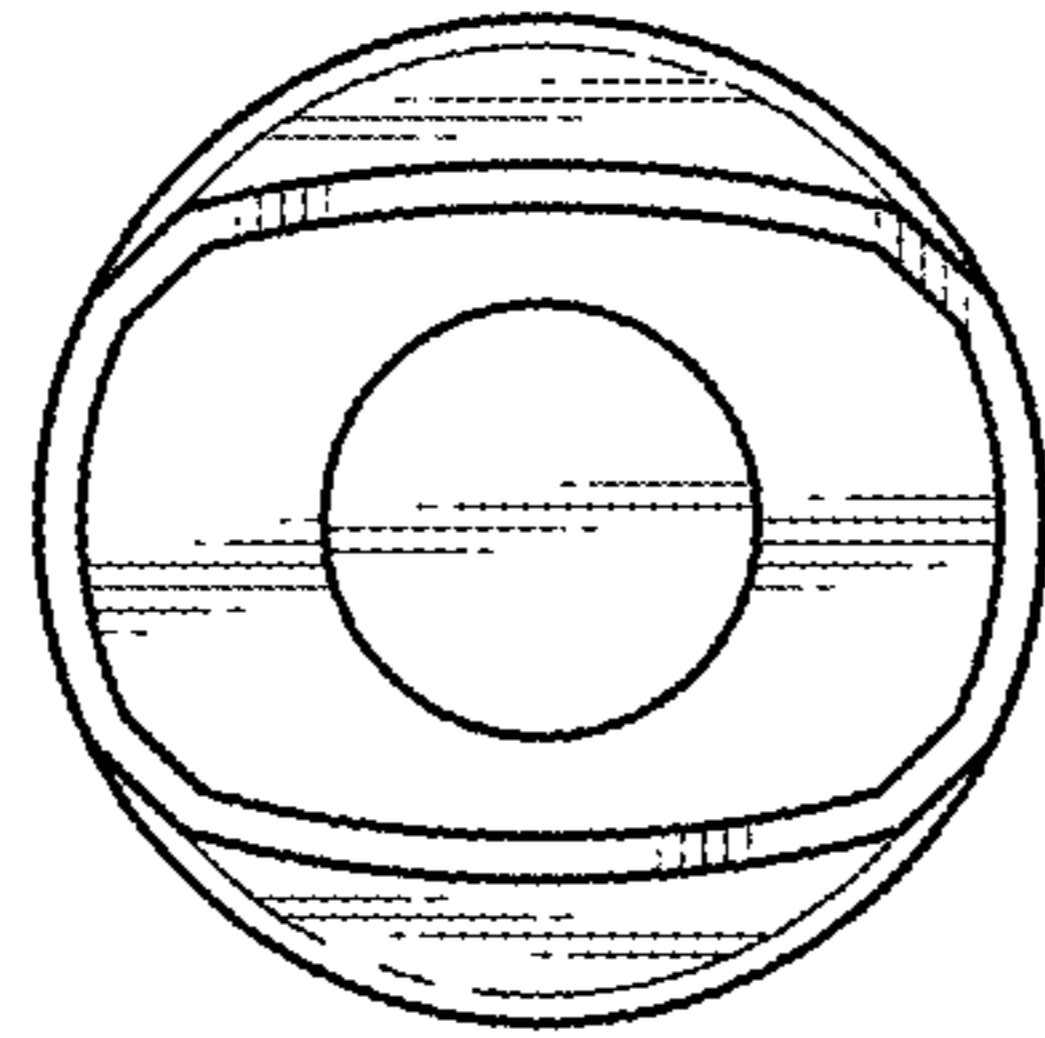


FIG. 4

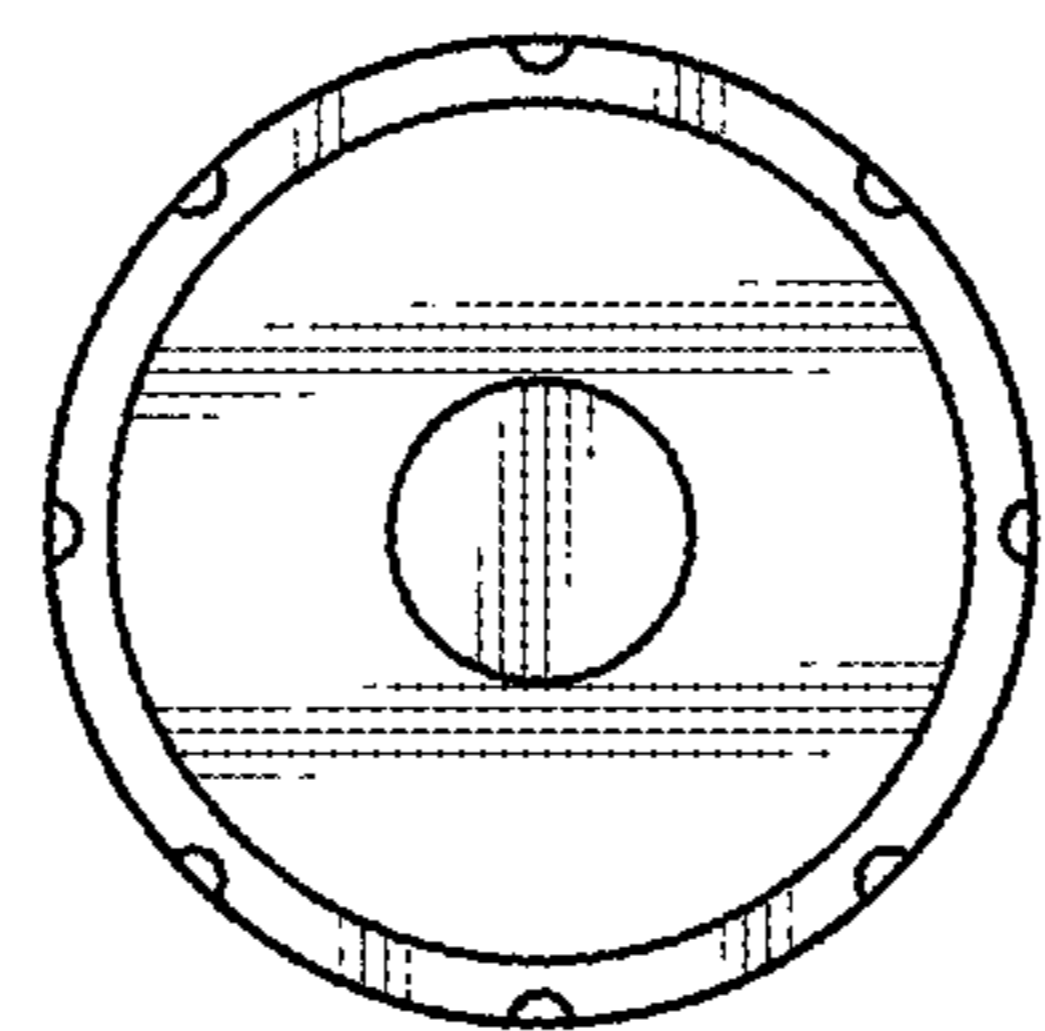


FIG. 5

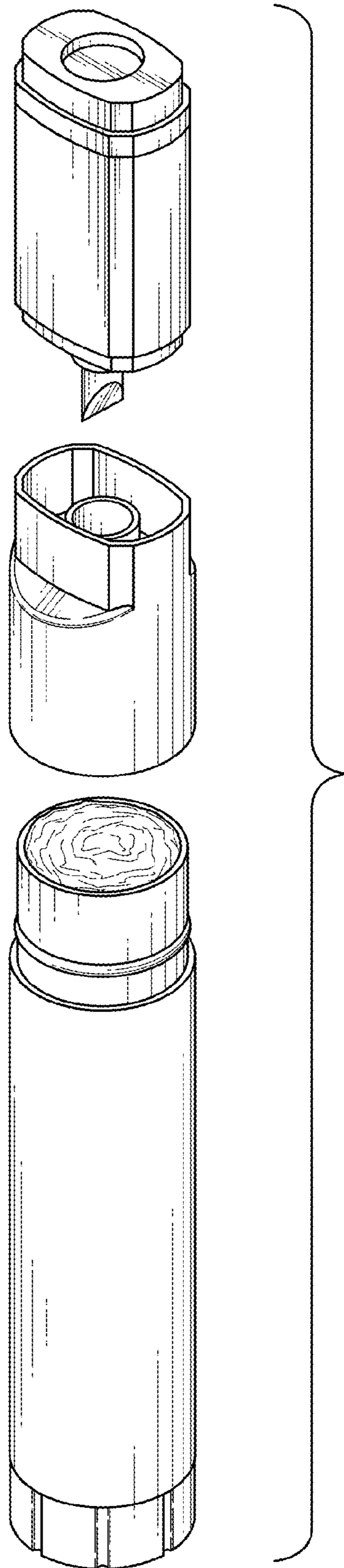


FIG. 6