



US00D810193S

(12) **United States Design Patent**
Etoh et al.

(10) **Patent No.:** **US D810,193 S**
(45) **Date of Patent:** **** Feb. 13, 2018**

- (54) **PHOTOCONDUCTOR CARTRIDGE**
- (71) Applicants: **Takuya Etoh**, Ohta-ku (JP); **Shinji Kobayashi**, Ohta-ku (JP); **Fei Zhang**, Shanghai (CN); **Lei Ai**, Shanghai (CN)
- (72) Inventors: **Takuya Etoh**, Ohta-ku (JP); **Shinji Kobayashi**, Ohta-ku (JP); **Fei Zhang**, Shanghai (CN); **Lei Ai**, Shanghai (CN)
- (73) Assignee: **RICOH COMPANY, LTD.**, Tokyo (JP)
- (**) Term: **15 Years**

D410,676 S *	6/1999	Kurabayashi	D18/40
D555,193 S *	11/2007	Choi	D18/43
D596,663 S *	7/2009	Kamimura	D18/43
D601,183 S *	9/2009	Ishikawa	D18/43
D601,184 S *	9/2009	Ogasawara	D18/43
D622,308 S *	8/2010	Kubota	D18/43
D622,309 S *	8/2010	Kubota	D18/43
D636,433 S *	4/2011	Kim	D18/43
D638,053 S *	5/2011	Sato	D18/43
D638,054 S *	5/2011	Sato	D18/43
D653,283 S *	1/2012	Eto	D18/43
D694,815 S *	12/2013	Fukamachi	D18/43
D694,816 S *	12/2013	Fukamachi	D18/43
D705,349 S *	5/2014	Choi	D18/43
D706,339 S *	6/2014	Choi	D18/43

(Continued)

(21) Appl. No.: **29/556,018**

(22) Filed: **Feb. 26, 2016**

(30) **Foreign Application Priority Data**

Oct. 22, 2015 (WO) 930017501

(51) **LOC (11) Cl.** **16-03**

(52) **U.S. Cl.**
USPC **D18/43**

(58) **Field of Classification Search**
USPC D18/36, 37, 38, 39, 40, 41, 44, 45, 46,
D18/47, 48, 49, 50, 51, 52, 53, 54, 55,
D18/56, 4.5, 12, 14, 18, 34.5, 34.9, 99;
D14/483, 432, 434, 345, 346, 425, 462,
D14/463, 464, 465, 466, 467, 468, 469,
D14/470, 471, 301, 307, 129, 130;
D15/138, 199; 347/1, 20, 29, 197, 214,
347/222; 399/24, 25, 26, 27, 107-112,
399/120, 222, 223, 224
CPC G03G 15/0872; B41J 2/17526; B41J
2/17546

See application file for complete search history.

(56) **References Cited**

U.S. PATENT DOCUMENTS

D365,845 S *	1/1996	Yasuda	D18/40
D366,277 S *	1/1996	Kawamura	D18/40

Primary Examiner — Cynthia Ramirez
Assistant Examiner — Michael Maharajh
(74) *Attorney, Agent, or Firm* — Oblon, McClelland,
Maier & Neustadt, L.L.P.

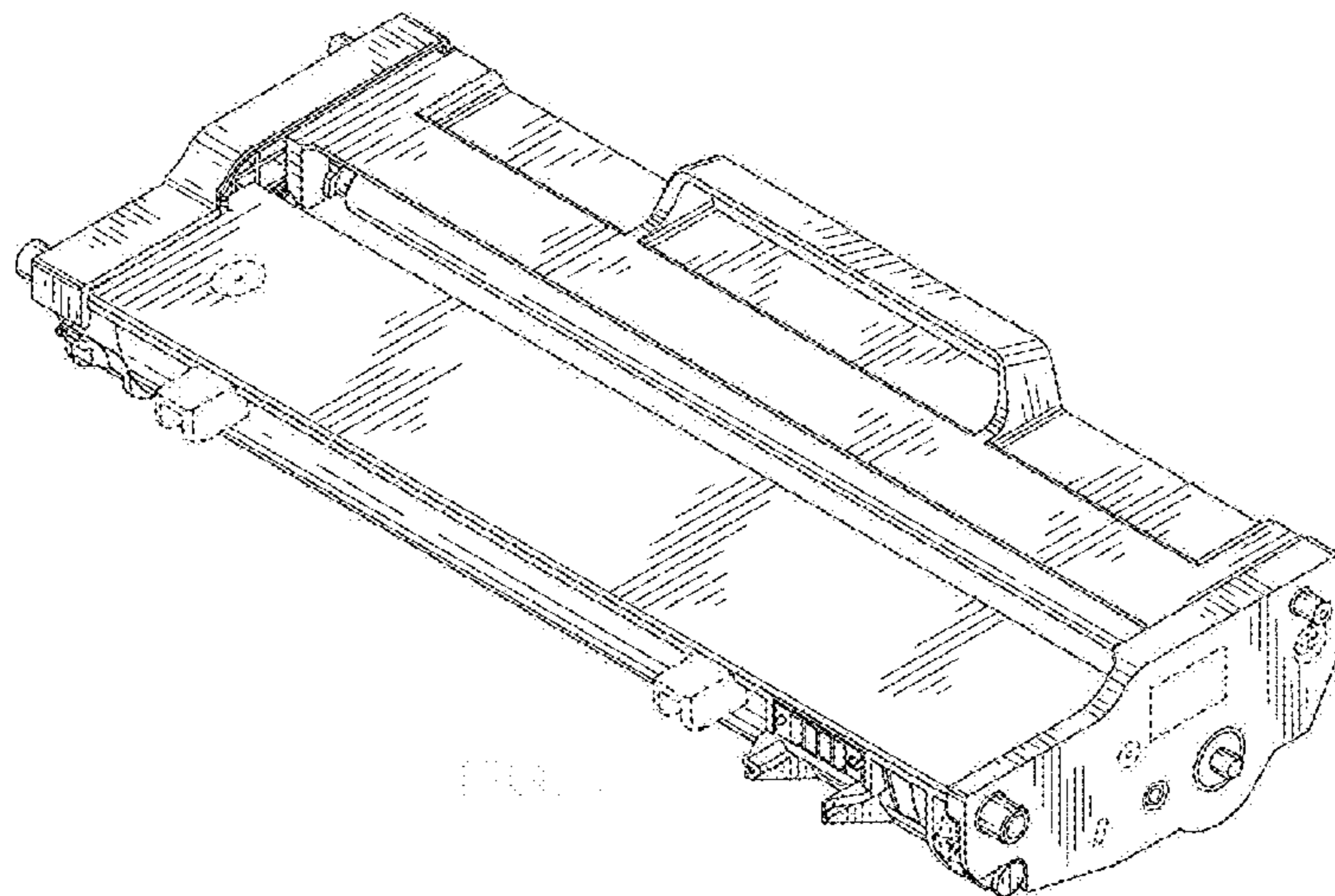
(57) **CLAIM**

The ornamental design for a photoconductor cartridge, as shown and described.

DESCRIPTION

FIG. 1 is a front, top, right perspective view of a photoconductor cartridge showing our new design; FIG. 2 is a back, bottom, left perspective view thereof; FIG. 3 is a front elevational view thereof; FIG. 4 is a back elevational view thereof; FIG. 5 is a top plan view thereof; FIG. 6 is a bottom plan view thereof; FIG. 7 is right side elevational view thereof; and, FIG. 8 is left side elevational view thereof. The broken lines shown in the figures are for the purpose of illustrating portions of the photoconductor cartridge that form no part of the claimed design.

1 Claim, 7 Drawing Sheets



(56)

References Cited

U.S. PATENT DOCUMENTS

D718,381 S * 11/2014 Itabashi D18/43
D723,614 S * 3/2015 Shimizu D18/43
2014/0376931 A1* 12/2014 Thacker G03G 15/0863
399/12

* cited by examiner

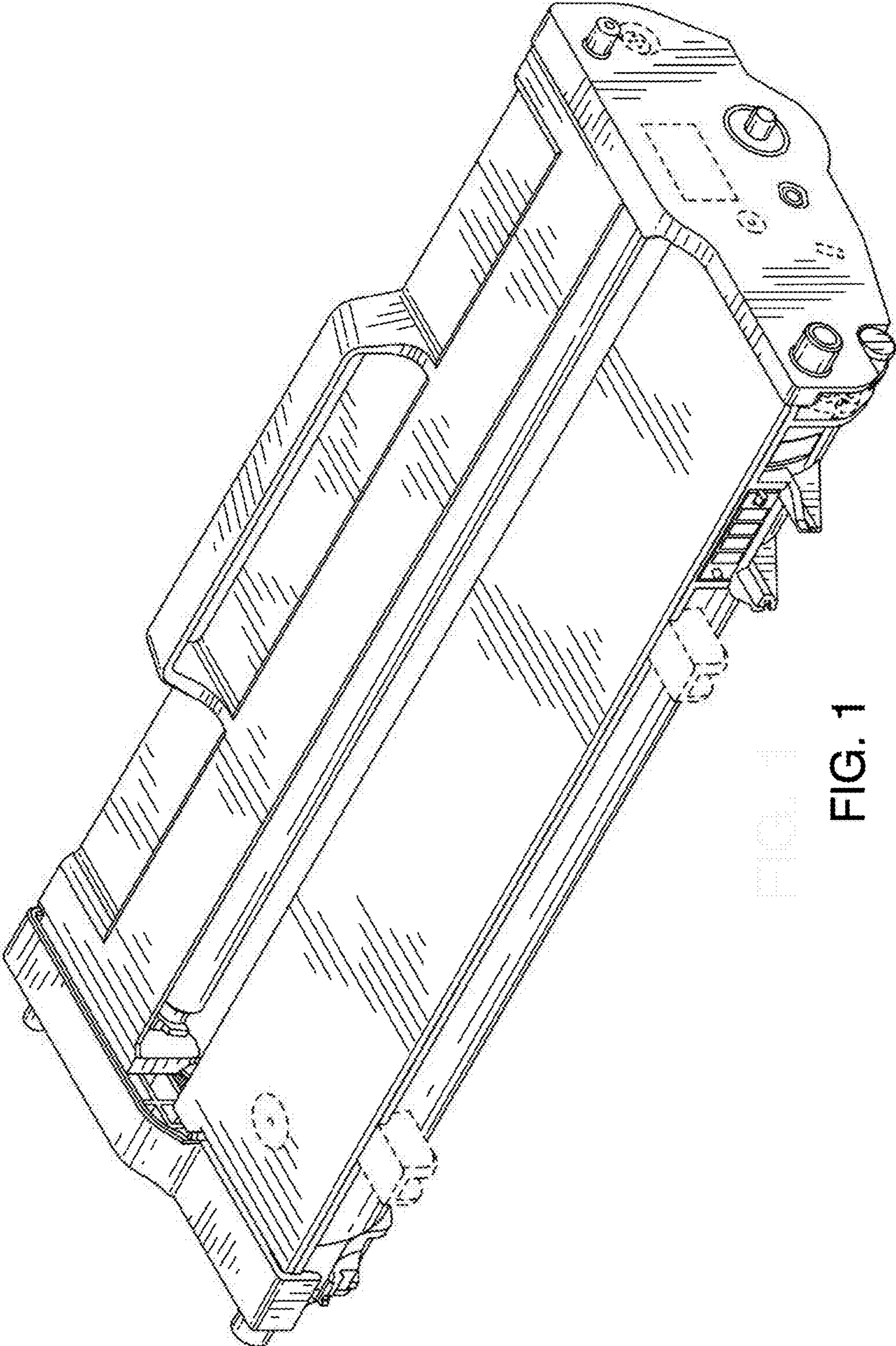


FIG. 1

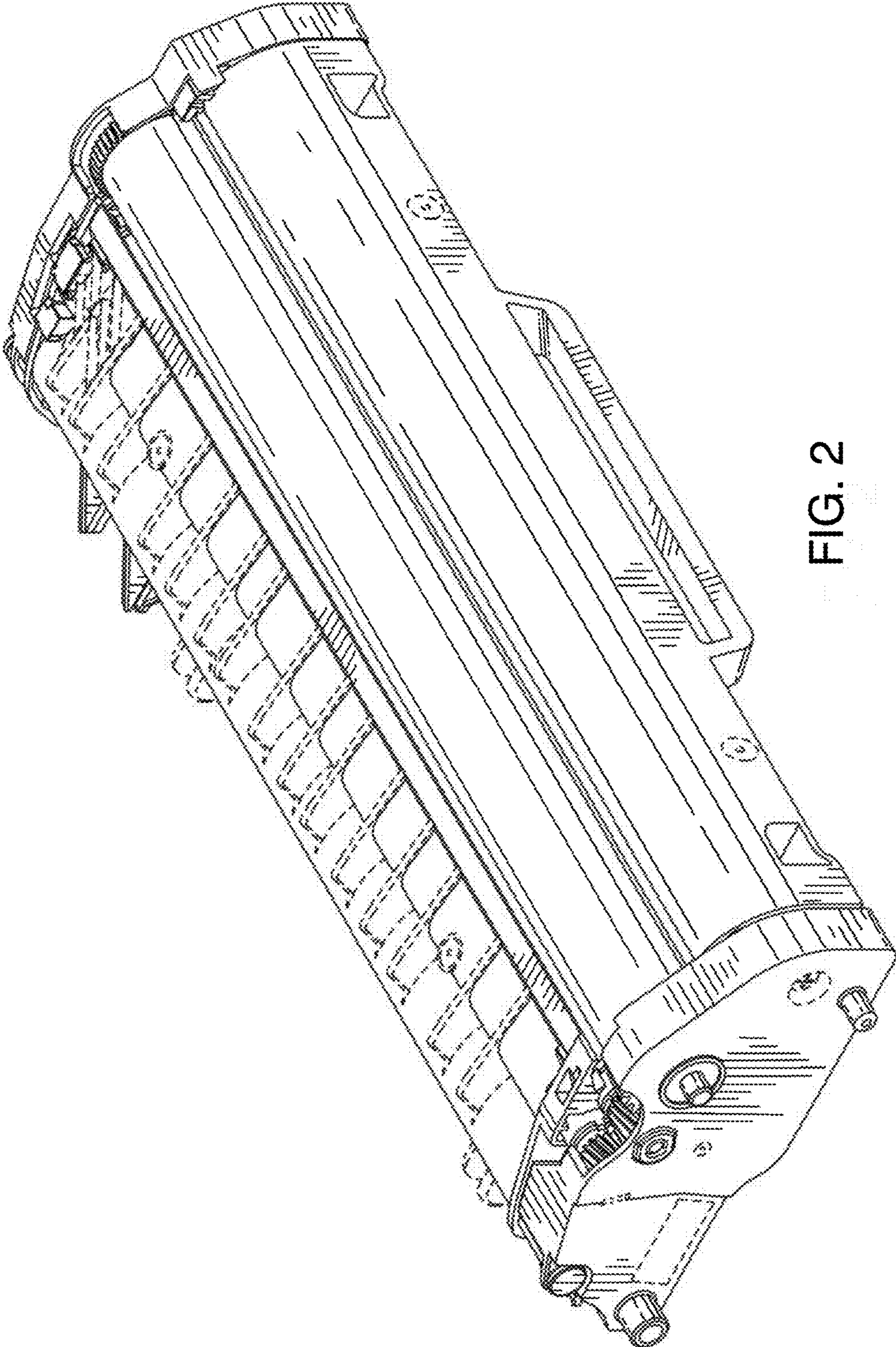


FIG. 2

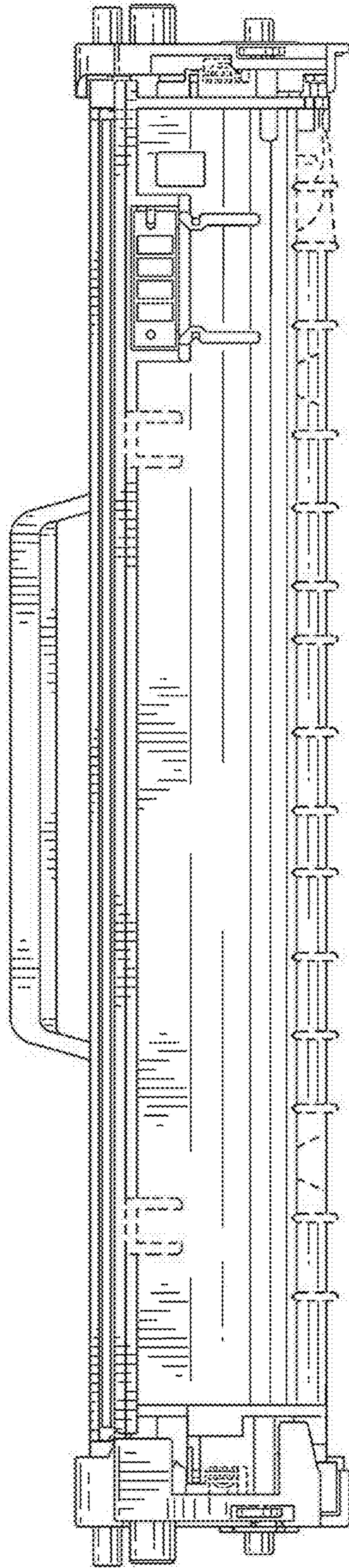


FIG. 3

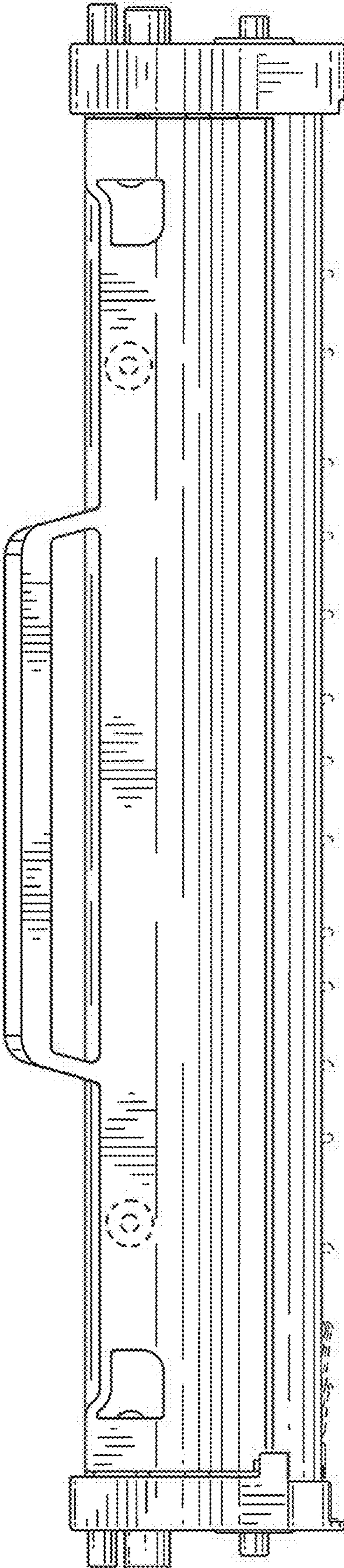


FIG. 4

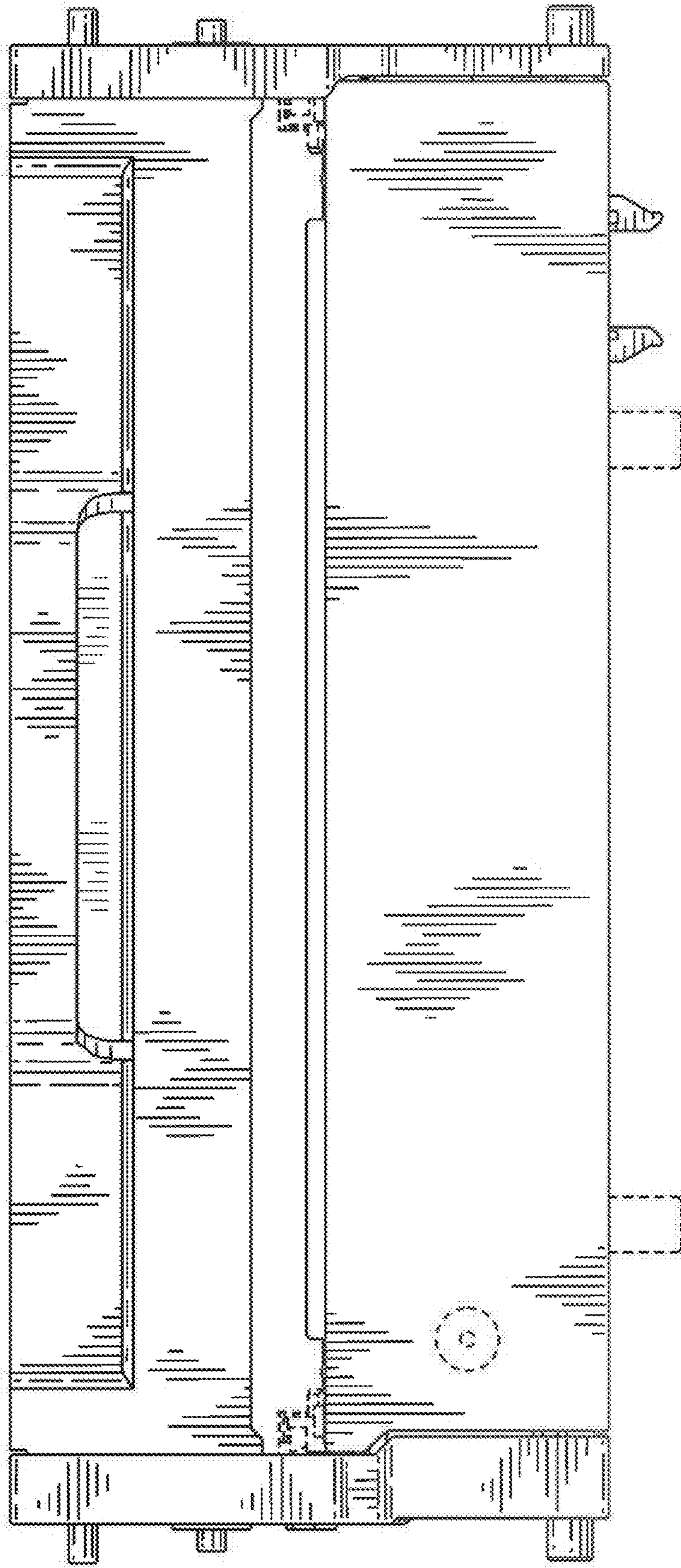


FIG. 5

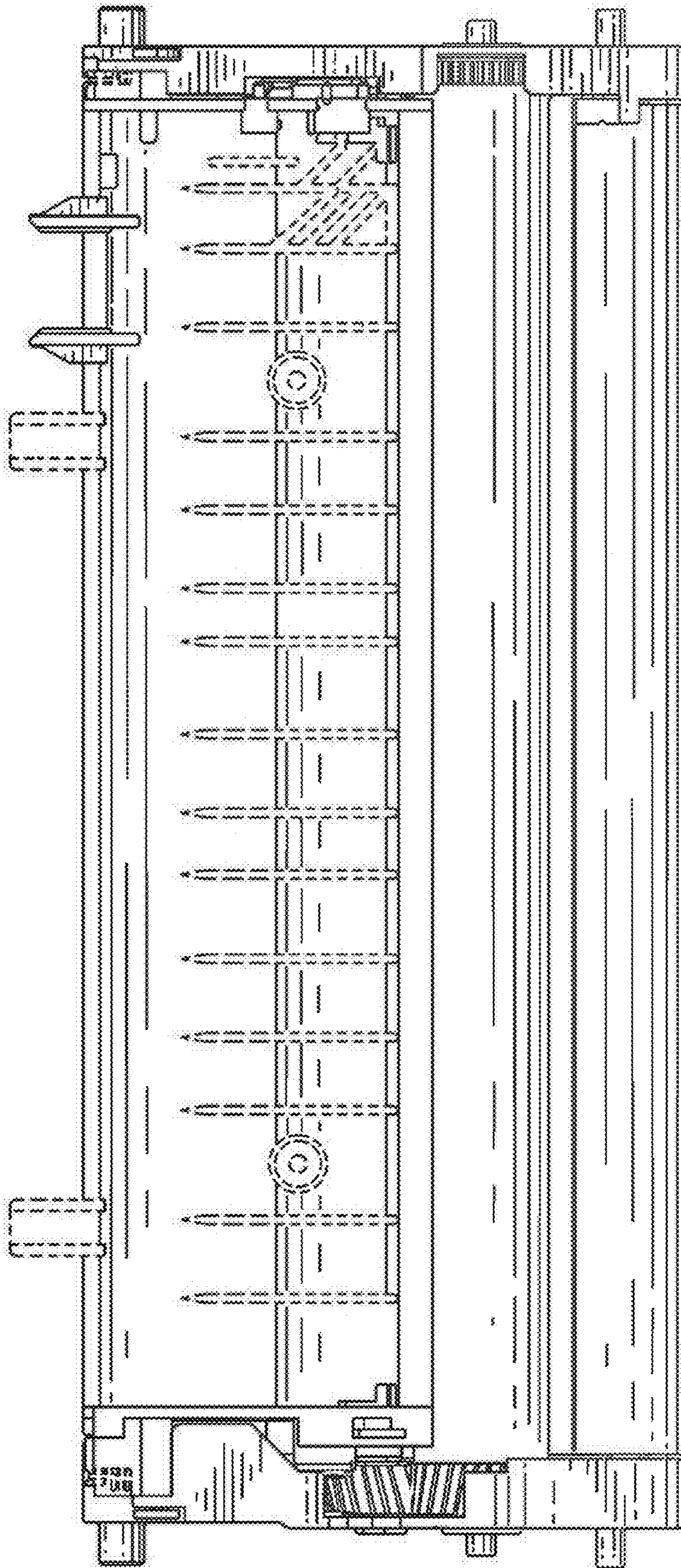


FIG. 6

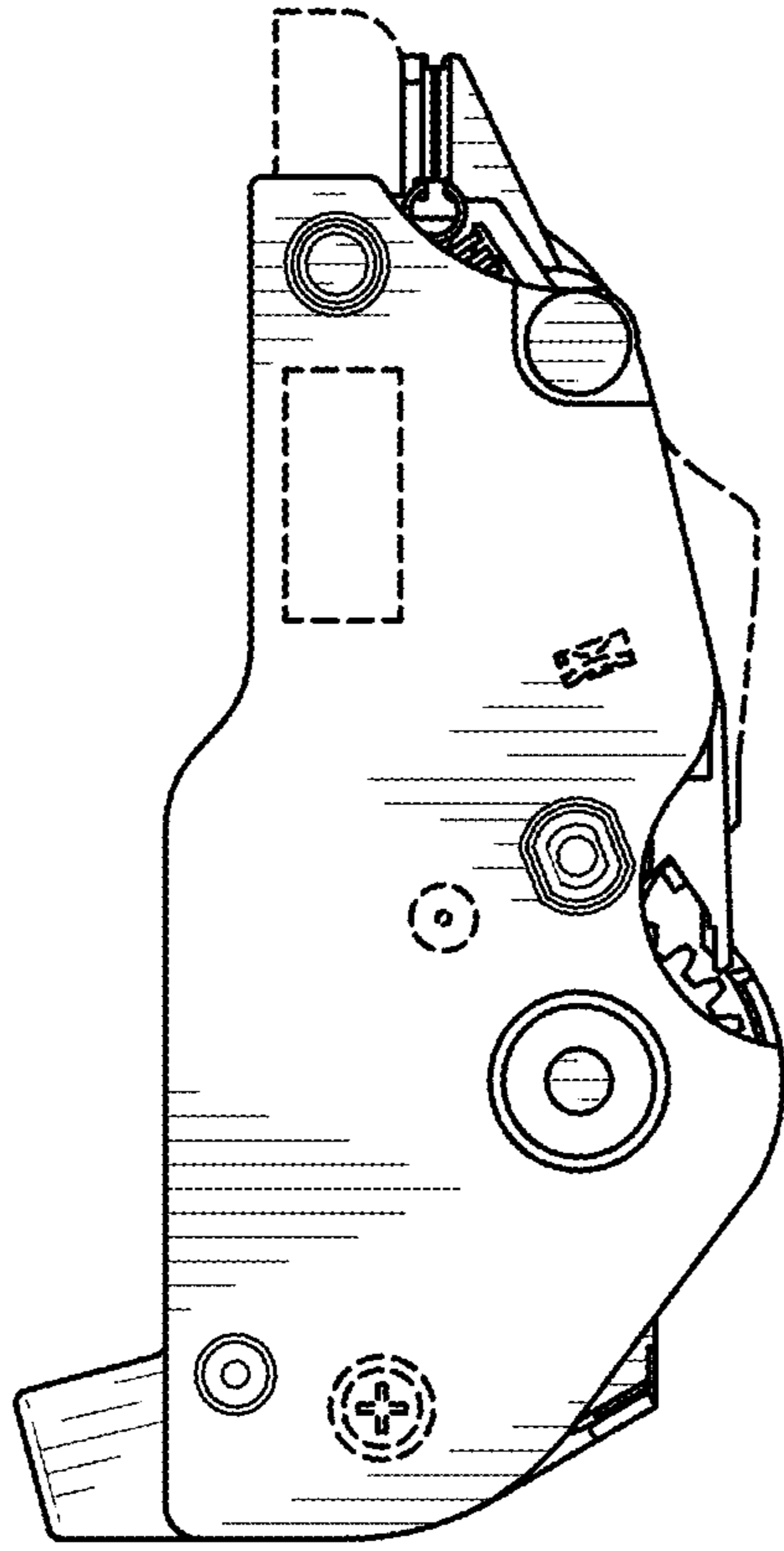


FIG. 8

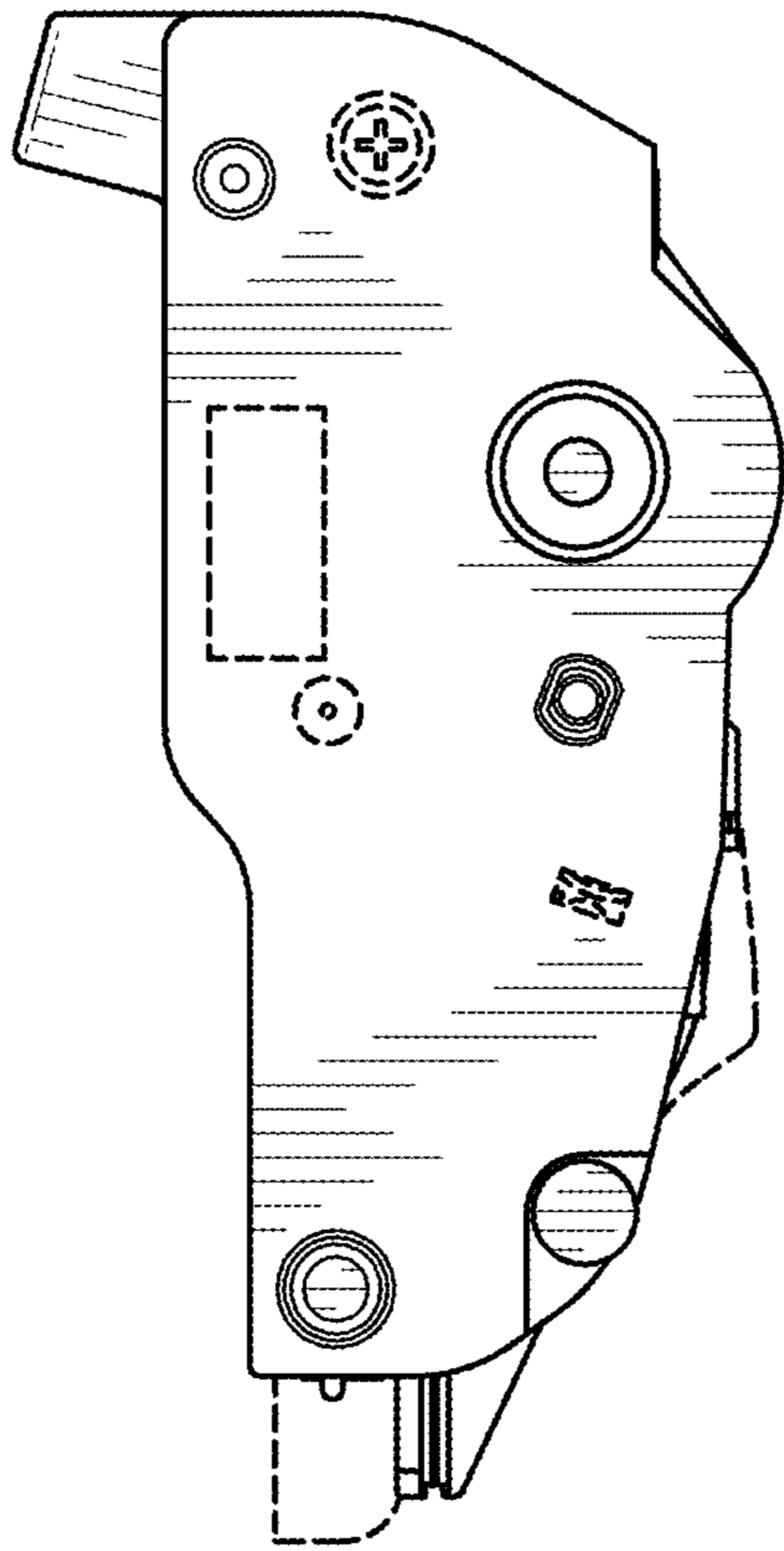


FIG. 7