



US00D810188S

(12) **United States Design Patent** (10) **Patent No.:** **US D810,188 S**
Beery (45) **Date of Patent:** **** Feb. 13, 2018**

(54) **LIFT RING HAND PAN DRUM**
(71) Applicant: **David Beery**, Lakewood, CA (US)
(72) Inventor: **David Beery**, Lakewood, CA (US)
(**) Term: **15 Years**
(21) Appl. No.: **29/505,295**
(22) Filed: **Sep. 8, 2015**
(51) **LOC (11) Cl.** **17-04**
(52) **U.S. Cl.**
USPC **D17/22**
(58) **Field of Classification Search**
USPC D17/22, 24, 99; 84/102, 103, 104, 402,
84/403, 404, 406, 409, 410, 411 R, 414,
84/411 M, 411 P, 422.1-422.3, 457,
84/DIG. 12, 645; D21/405
CPC G10D 13/02; G10D 13/08; G10D 13/00
See application file for complete search history.

D766,356 S * 9/2016 Rohner D17/22
2009/0013851 A1* 1/2009 Copeland G10D 13/08
84/411 R
2014/0053707 A1* 2/2014 Belli G10D 13/02
84/411 R

OTHER PUBLICATIONS

Equinox scale GAIA Handpan (w/lift Ring) by Dave Beery.(side and bottom views) 2 pages. YouTube video. published Jan. 16, 2015 <http://www.youtube.com/watch?v=MVxV6alrYq8>.*

* cited by examiner

Primary Examiner — Holly H Baynham
Assistant Examiner — Rashida C. Walshon
(74) *Attorney, Agent, or Firm* — Paul R. Martin

(57) **CLAIM**

The ornamental design for a lift ring hand pan drum, as shown and described.

DESCRIPTION

FIG. 1 is a perspective view of the lift ring hand pan drum of my new design, showing the lift ring joining the upper and lower hemispherical shells together.

FIG. 2. Is an elevational view of the front thereof. Elevational views of the back and both sides are identical thereto. FIG. 3 is a top plan view thereof.

FIG. 4 is a bottom plan view thereof; and, FIG. 5 is an exploded perspective view showing the top shell and bottom shell connected by a lift ring.

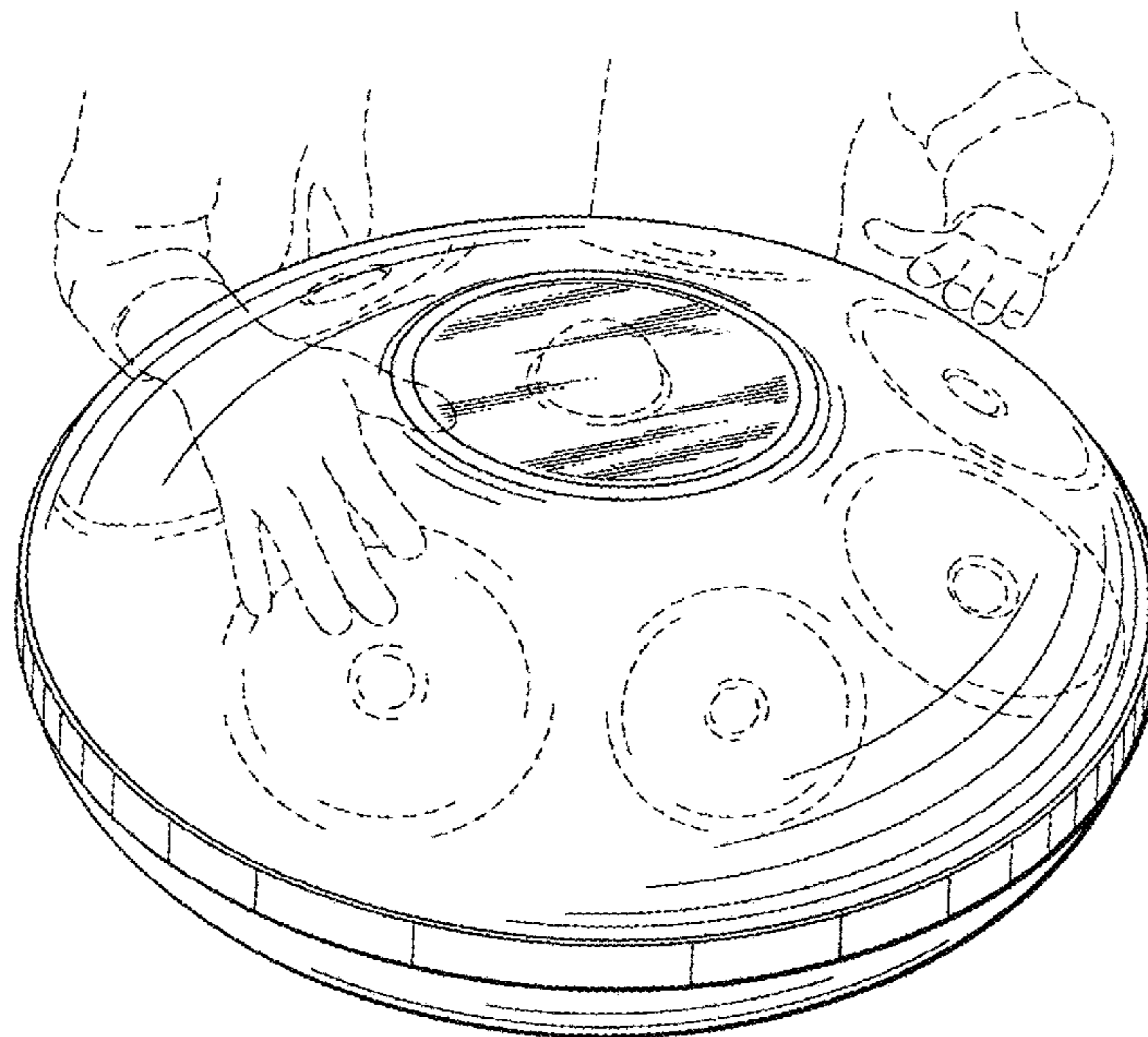
The broken line elements in FIGS. 1, 2, 3 and 5, illustrating optional design components of my lift ring hand pan drum, are environmental elements and form no part of my new design.

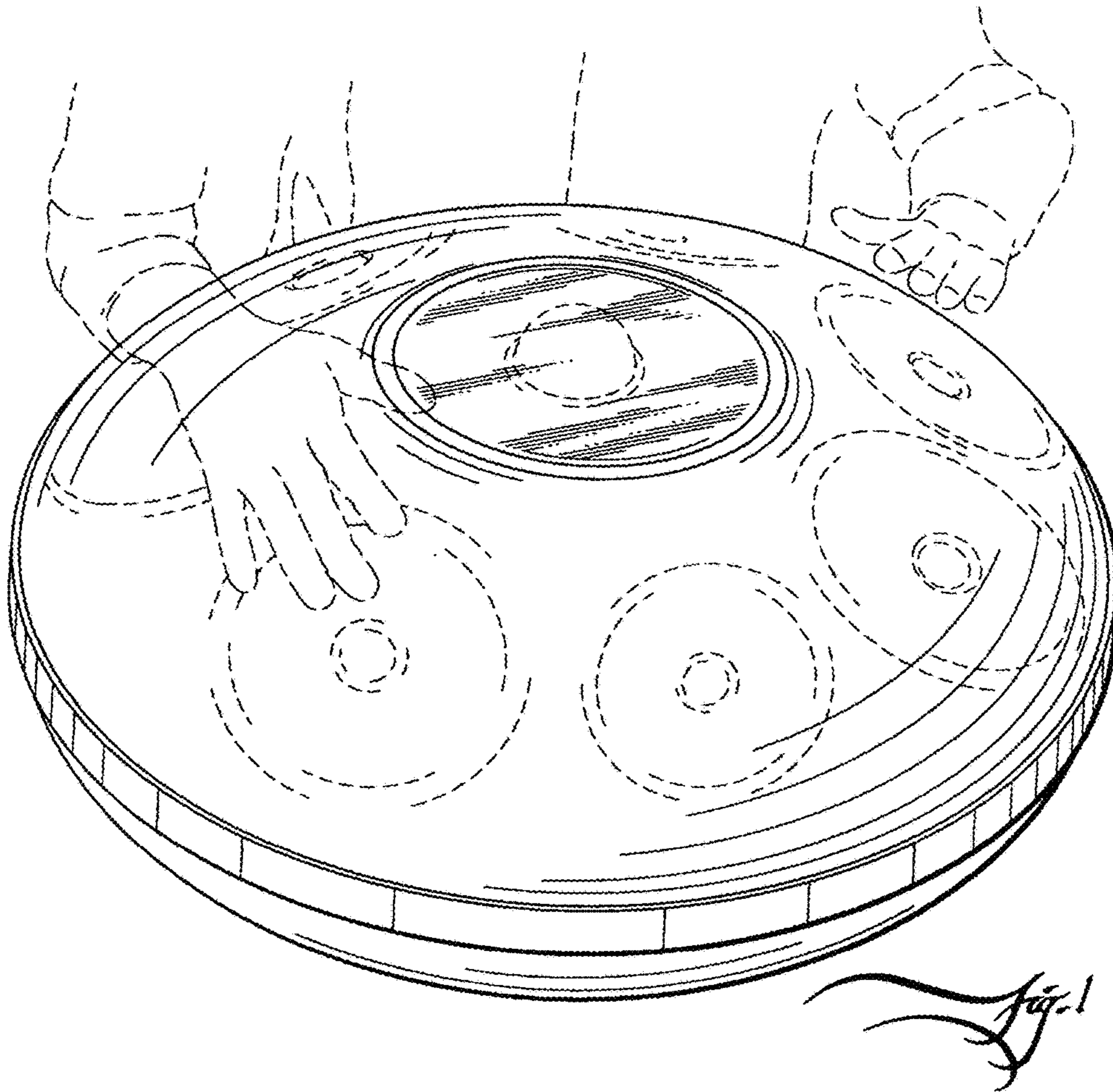
(56) **References Cited**

U.S. PATENT DOCUMENTS

D272,159 S * 1/1984 del Rio D17/10
D319,249 S * 8/1991 Aluisi D17/22
6,212,772 B1 * 4/2001 Whitmyre G10D 13/08
29/896.22
D637,224 S * 5/2011 Smith D17/24
8,492,632 B1 * 7/2013 Doe G10D 13/08
84/406
8,552,279 B2 * 10/2013 Rohner G10D 13/08
84/402
D737,367 S * 8/2015 Rohner D17/22
D737,368 S * 8/2015 Rohner D17/22
D737,370 S * 8/2015 Rohner D17/22
D759,747 S * 6/2016 Rohner D17/22

1 Claim, 5 Drawing Sheets





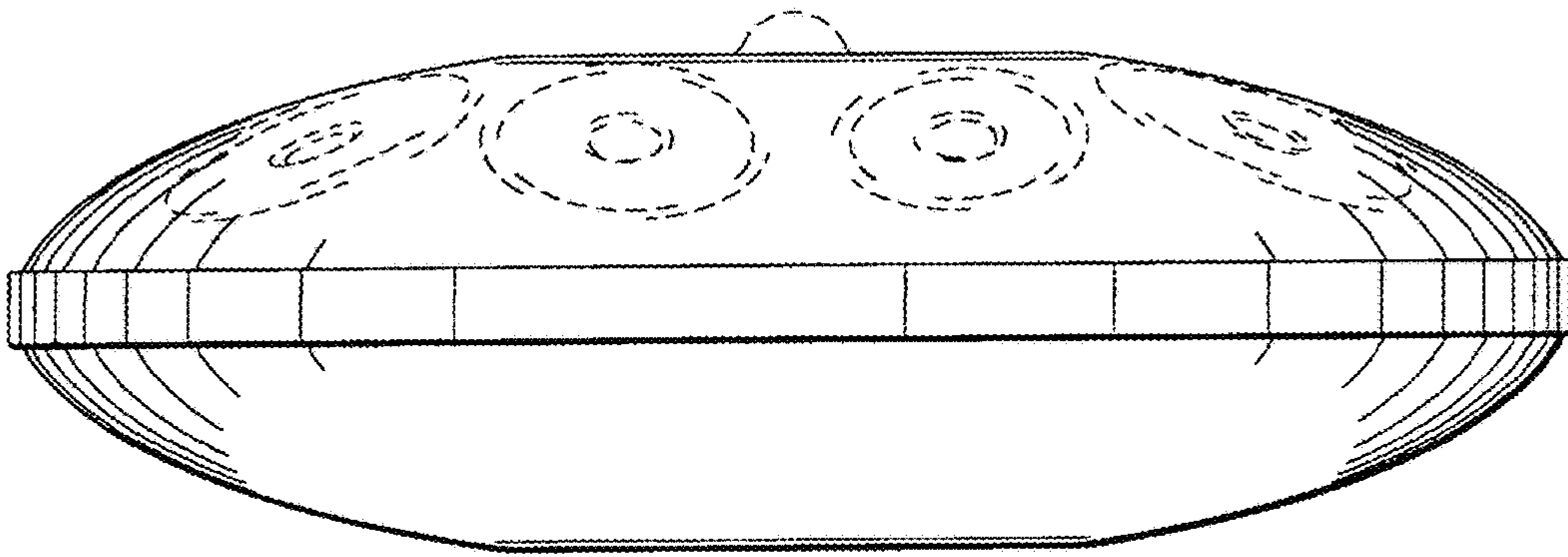


Fig. 2

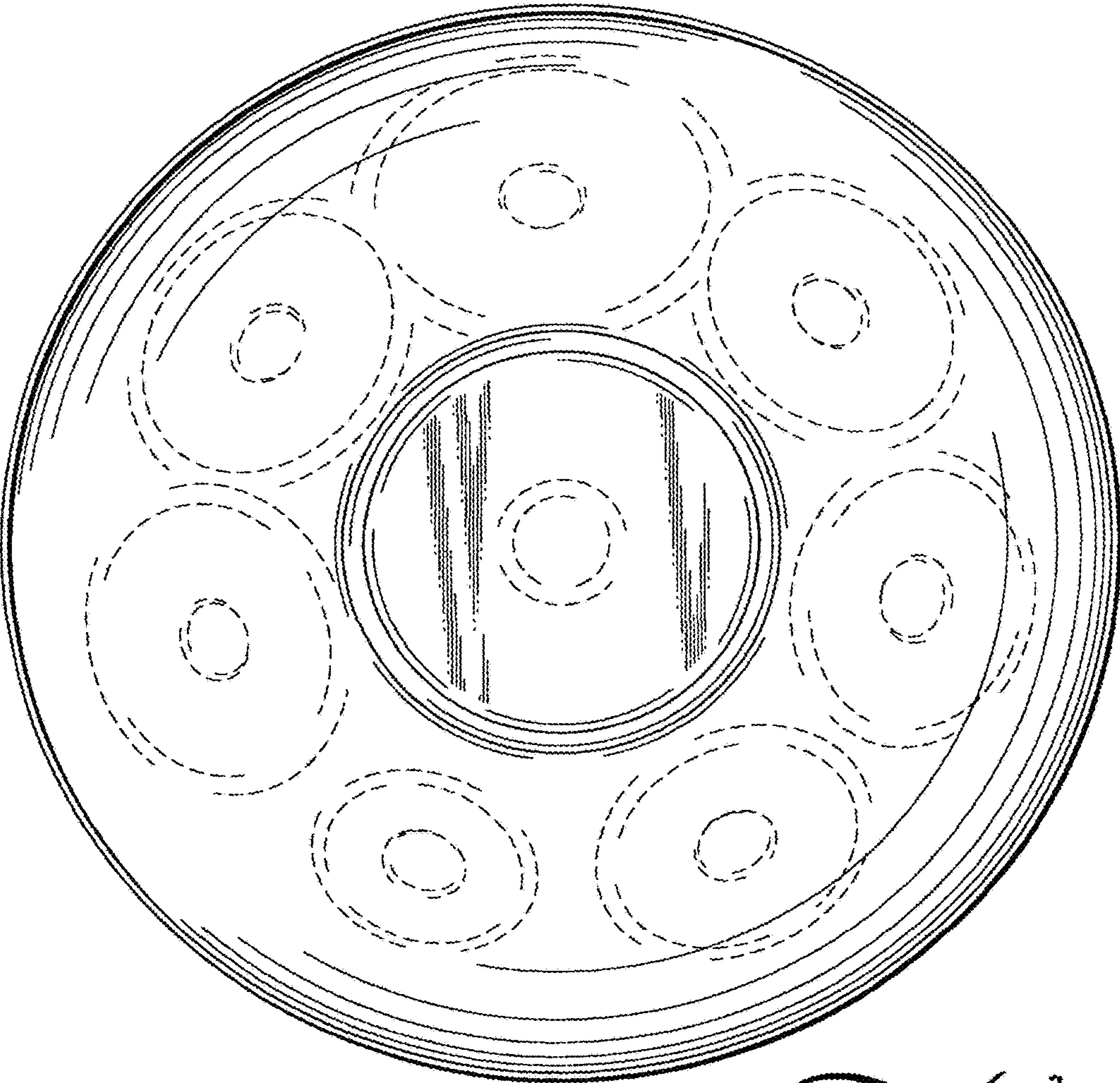


Fig. 3

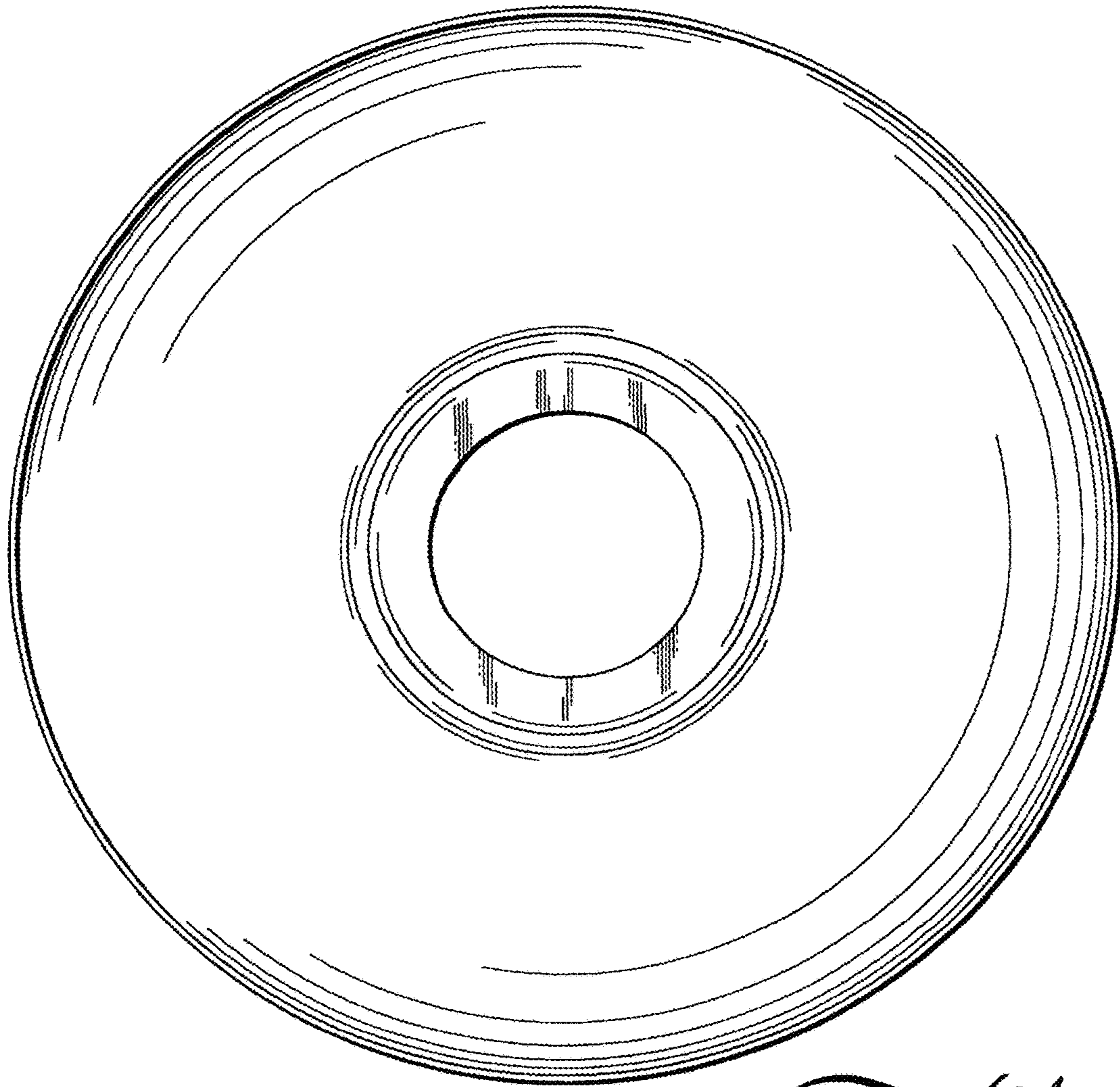


Fig. 4

