



US00D810187S

(12) **United States Design Patent** (10) **Patent No.:** **US D810,187 S**
Frank et al. (45) **Date of Patent:** **** Feb. 13, 2018**

(54) **HEADSTOCK PORTION OF A GUITAR**

(71) Applicant: **Frank Brothers Guitar Company,**
Toronto (CA)

(72) Inventors: **Nicholas Frank,** Toronto (CA);
Timothy Frank, Toronto (CA)

(73) Assignee: **Frank Brothers Guitar Company**
Limited Partnership, Toronto, Ontario
(CA)

(**) Term: **15 Years**

(21) Appl. No.: **29/545,914**

(22) Filed: **Nov. 17, 2015**

(51) **LOC (11) Cl.** **17-03**

(52) **U.S. Cl.**
USPC **D17/14**

(58) **Field of Classification Search**
USPC D17/14-21, 99
CPC G10D 1/00; G10D 1/08; G10D 1/085;
G10D 3/00; G10D 3/06; G10D 3/12;
G10H 3/00; G10H 3/18; G10H 3/181
See application file for complete search history.

(56) **References Cited**

U.S. PATENT DOCUMENTS

D258,449 S *	3/1981	Kimble	D17/14
4,711,149 A *	12/1987	Starr	G10H 3/182
				84/477 R
D517,114 S *	3/2006	Knaggs	D17/14
D623,219 S *	9/2010	Mosconi	D17/14
D740,352 S *	10/2015	Crelin	D17/14
9,159,303 B1 *	10/2015	Garrick	G10D 3/04
2006/0174753 A1 *	8/2006	Aisenbrey	G10H 1/32
				84/600

OTHER PUBLICATIONS

Miscstuff, Garrison G20 Guitar, Blog post, Jun. 2009, Retrieved
May 25, 2017 from URL:https://miscstuffsite.files.wordpress.com/
2009/06/garrison_g20_zoom2.jpg.*

123rf.com, Stock Photo—headstock of a acoustic black guitar close
up, undated online photo, Retrieved May 25, 2017 from:
URL:https://www.123rf.com/photo_6404427_headstock-of-
acoustic-black-guitar-close-up.html.*

123rf.com, Vector—A traditional guitar headstock with strings and
tuners, undated online photo, Retrieved May 25, 2017 from:
URL:https://www.123rf.com/photo_20987235_a-traditional-gui-
tar-headstock-with-strings-and-tuners.html.*

Martin OM-28V Custom, 2010, online photograph of headstock,
Retrieved May 25, 2017 from URL:http://www.dreamguitars.com/
products/martin/martin_om-28v_custom_2001/images/MAR-
TIN_OM28V_835190_headstock_front.jpg.*

* cited by examiner

Primary Examiner — Sheryl Lane

Assistant Examiner — Calvin E Vansant

(74) *Attorney, Agent, or Firm* — Faegre Baker Daniels
LLP

(57) **CLAIM**

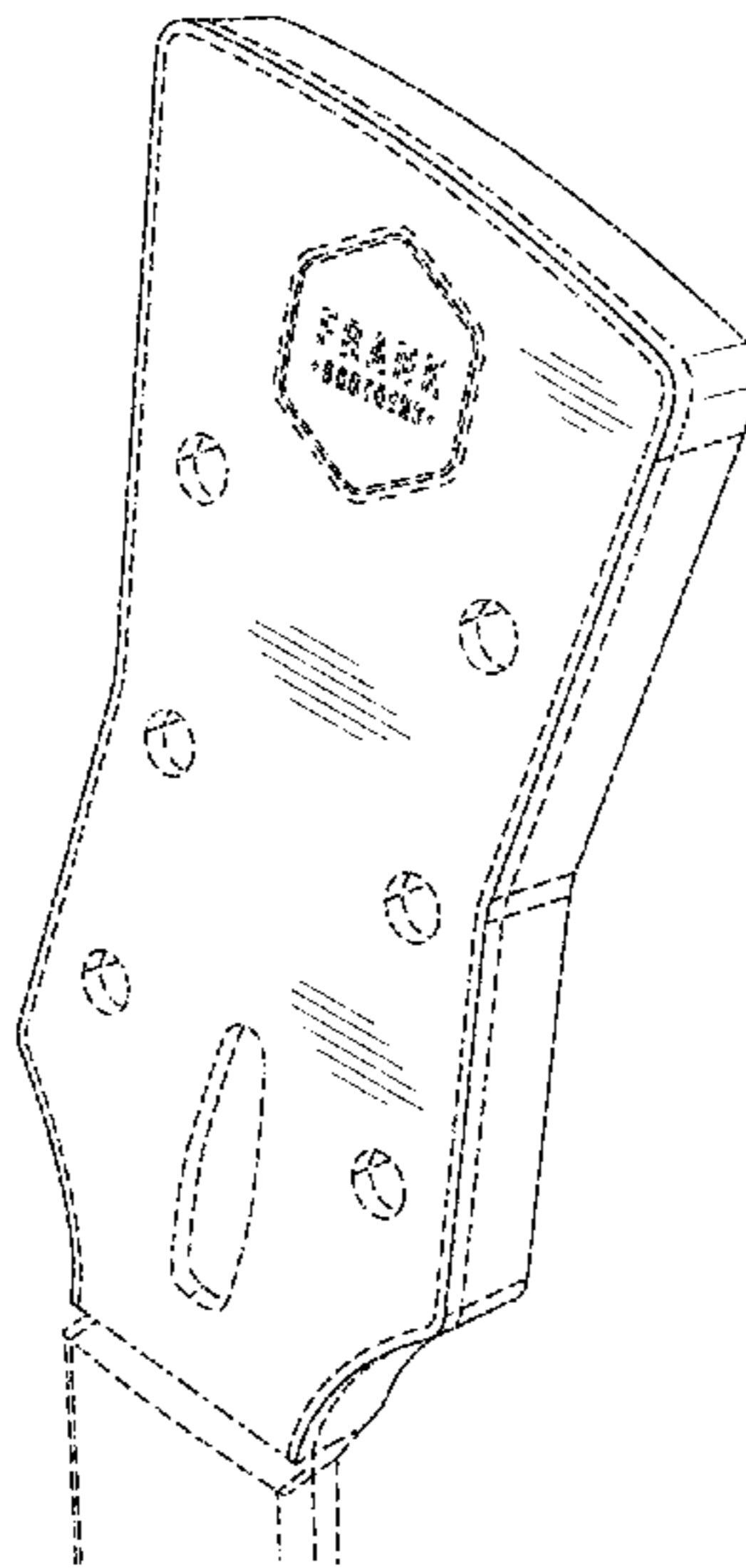
The ornamental design for headstock portion of a guitar, as
shown and described.

DESCRIPTION

FIG. 1 is a perspective view of headstock portion of a guitar;
FIG. 2 is a front view thereof;
FIG. 3 is a back view thereof
FIG. 4 is a right side view thereof;
FIG. 5 is a left side view thereof;
FIG. 6 is a top view thereof; and,
FIG. 7 is a bottom view thereof.

Features shown in dashed broken lines depict portions of the
headstock portion of a guitar that form no part of the claimed
design. The dash-dot-dash lines shown in the drawings
represent the boundaries of the claim and form no part of the
claimed design.

1 Claim, 7 Drawing Sheets



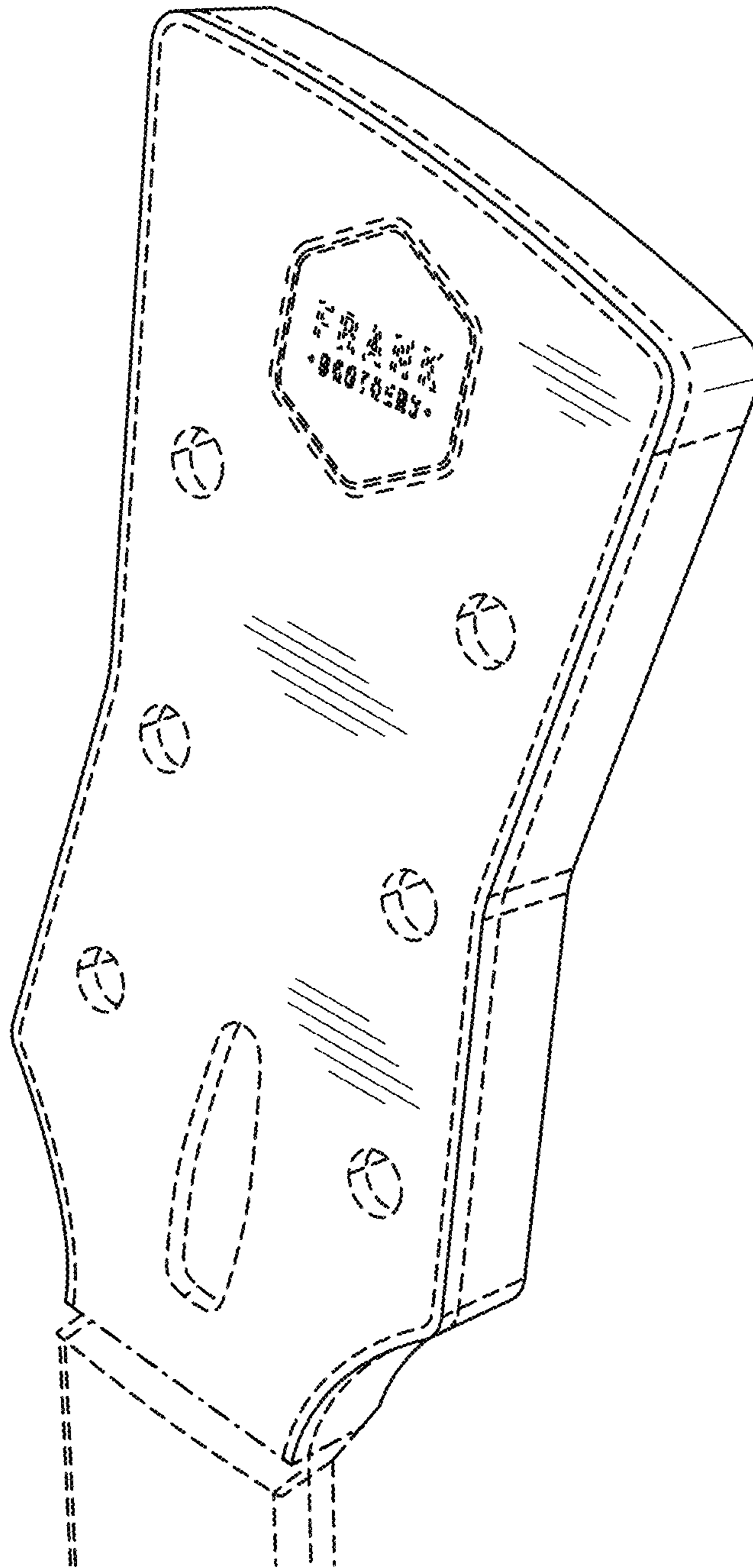


FIG. 1

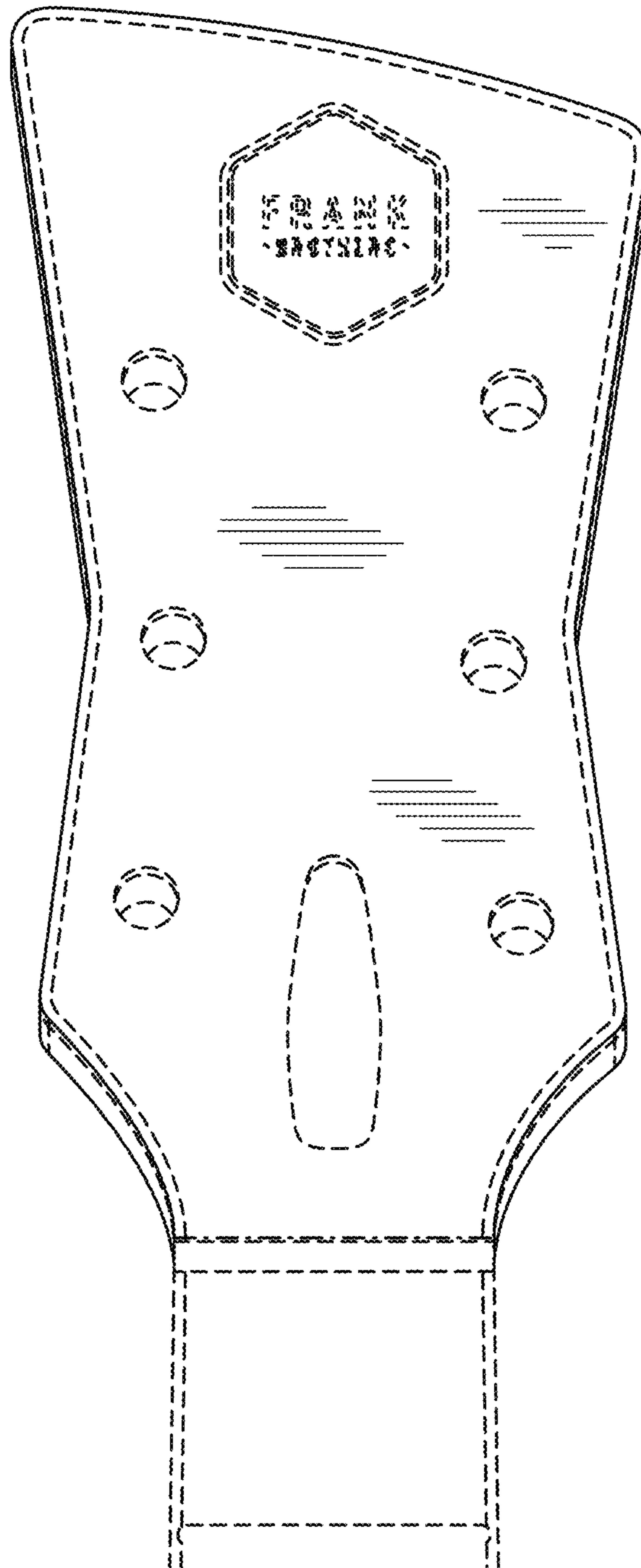


FIG. 2

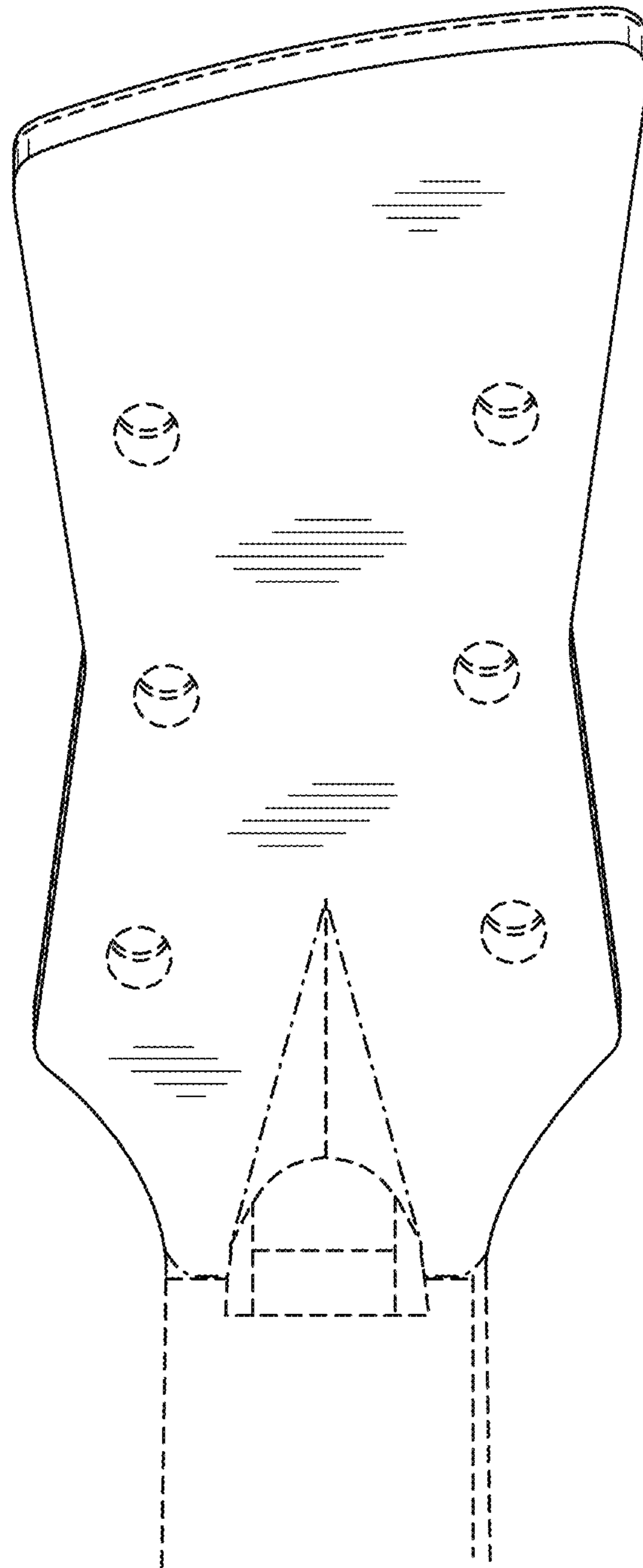


FIG. 3

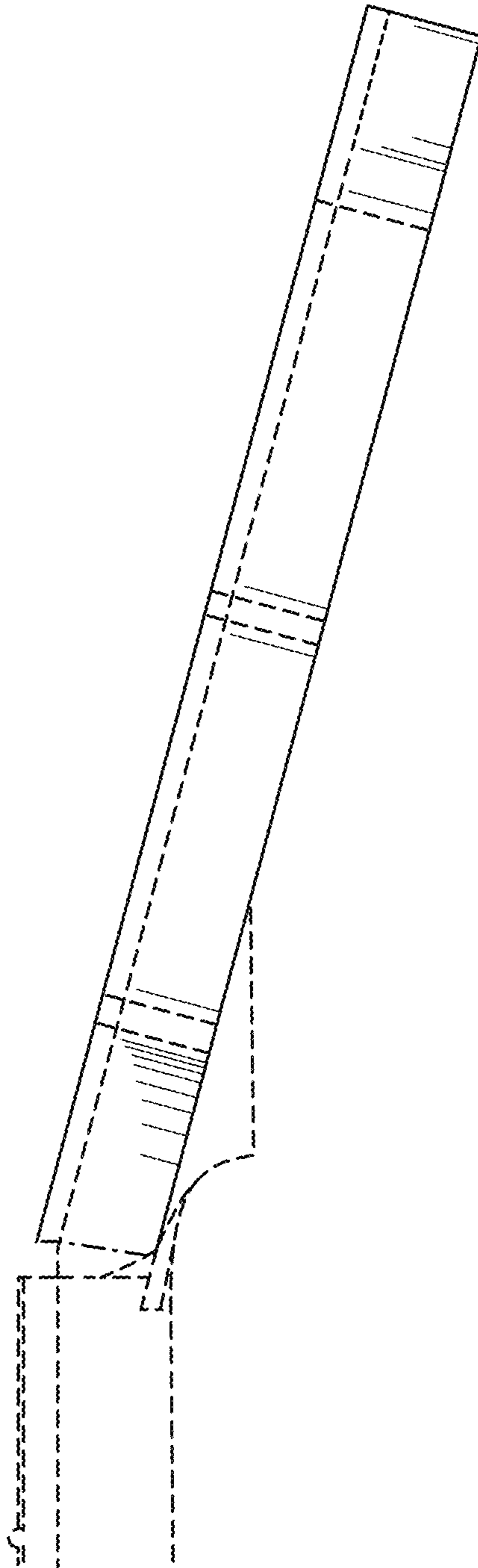


FIG. 4

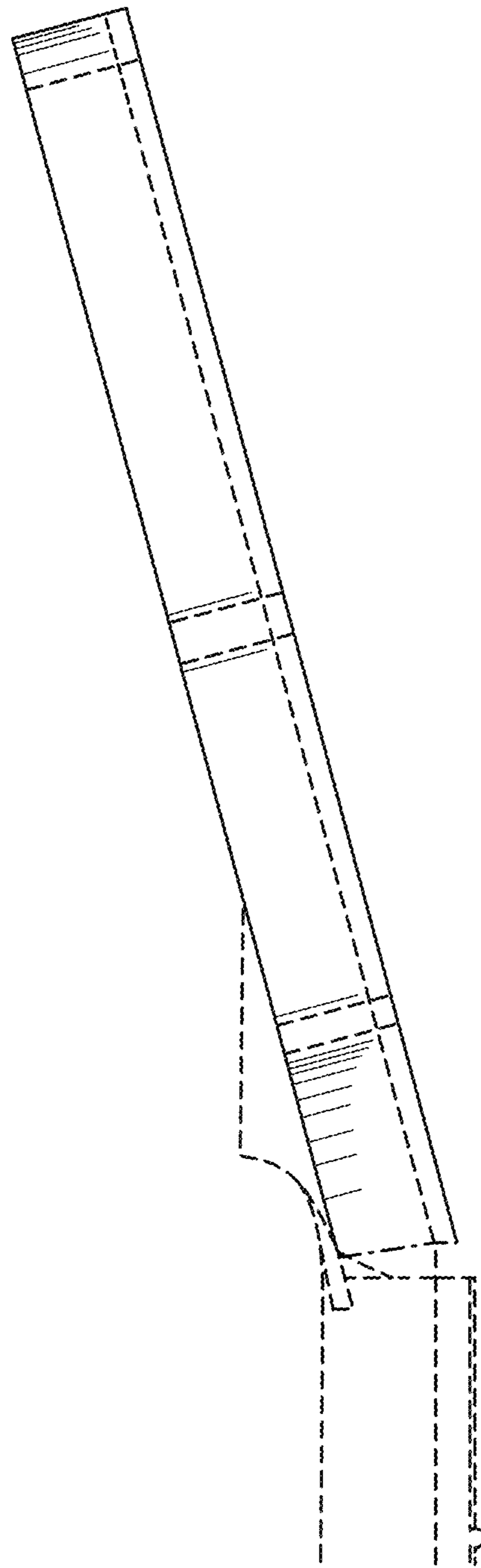


FIG. 5

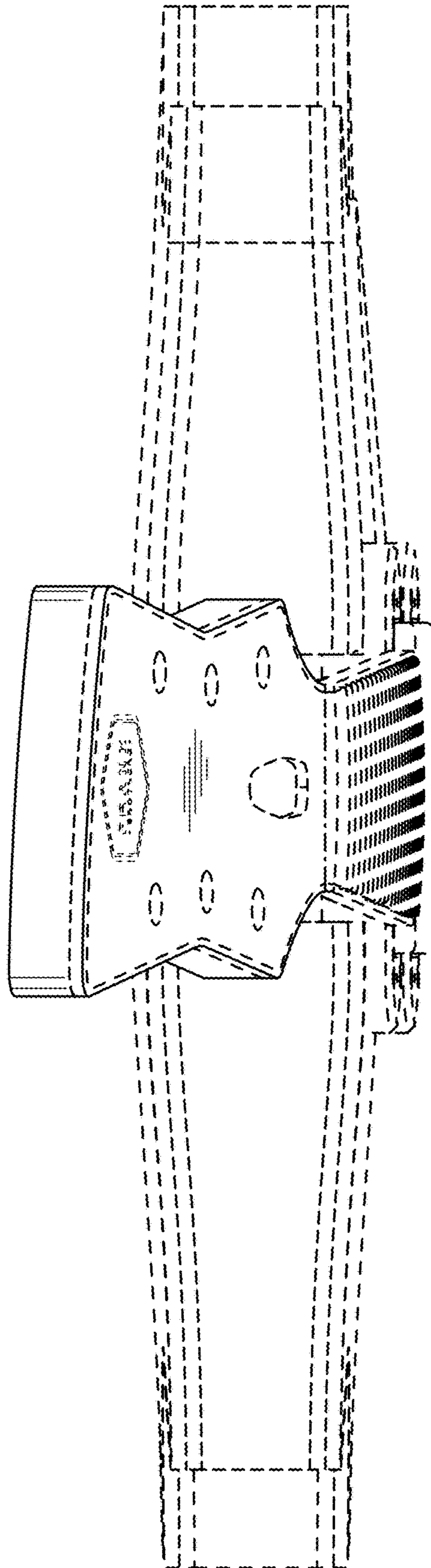


FIG. 6

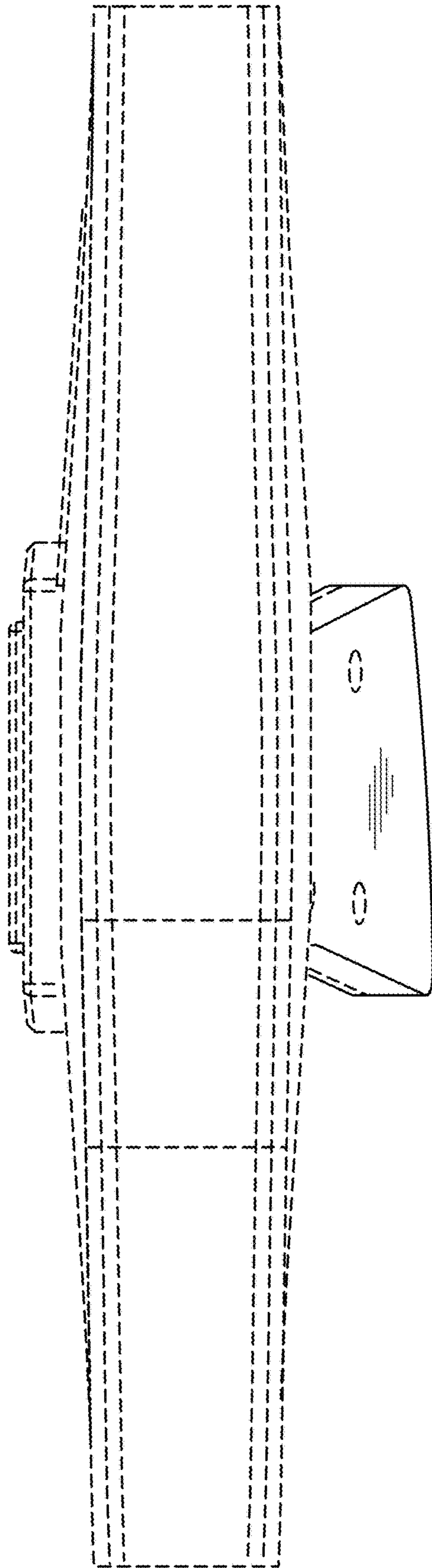


FIG. 7