



US00D810186S

(12) **United States Design Patent** (10) **Patent No.:** **US D810,186 S**  
**Lee** (45) **Date of Patent:** **\*\* Feb. 13, 2018**

(54) **MINI POCKET TRUMPET**

FOREIGN PATENT DOCUMENTS

(71) Applicant: **HOXON GAKKI CORPORATION**,  
Dalin Township, Chiayi County (TW)

DE 337267 C \* 5/1921 ..... G10D 7/10  
DE 29618385 U1 \* 2/1998 ..... G10D 7/10

(Continued)

(72) Inventor: **Kuo-An Lee**, Dalin Township (TW)

(73) Assignee: **Hoxon Gakki Corporation**, Dalin  
Township (TW)

OTHER PUBLICATIONS

(\*\*) Term: **15 Years**

Pocket Comets, webarchive on Jul. 31, 2016, [online], [site visited  
on Oct. 27, 2017]. Available from Internet, <URL: [https://web.archive.org/web/20160731014903/http://www.pocketcornets.com/html/martin\\_imp\\_4.html](https://web.archive.org/web/20160731014903/http://www.pocketcornets.com/html/martin_imp_4.html)> (Year: 2016).\*

(Continued)

(21) Appl. No.: **29/584,764**

(22) Filed: **Nov. 17, 2016**

(51) **LOC (11) Cl.** ..... **17-02**

(52) **U.S. Cl.**

USPC ..... **D17/11**

(58) **Field of Classification Search**

USPC ..... D17/11, 10, 13, 99; D21/405, 411, 483  
CPC .. G10D 7/00; G10D 7/10; G10D 9/00; G10D  
9/005; G10D 9/04

See application file for complete search history.

*Primary Examiner* — Sheryl Lane

*Assistant Examiner* — Samantha N Wood

(74) *Attorney, Agent, or Firm* — Alan D. Kamrath;  
Kamrath IP Lawfirm, P.A.

(56) **References Cited**

U.S. PATENT DOCUMENTS

D42,919 S \* 8/1912 Johnson ..... 84/387 R  
1,040,372 A \* 10/1912 Meredith ..... G10D 7/10  
84/387 R  
D45,091 S \* 12/1913 Johnson ..... 84/387 R  
D46,501 S \* 10/1914 Holton ..... 84/387 R  
1,196,097 A \* 8/1916 French ..... G10D 7/10  
84/394  
D52,207 S \* 7/1918 Couturier ..... D17/11  
1,328,038 A \* 1/1920 Enders ..... G10D 7/10  
84/388  
1,415,051 A \* 5/1922 Pinnavaja ..... G10D 9/005  
84/386  
D65,511 S \* 8/1924 Wakeman ..... 84/388  
1,724,632 A \* 8/1929 Acheson ..... G10D 7/10  
84/388  
2,003,995 A \* 6/1935 Einhorn ..... G10D 9/04  
84/392  
2,146,967 A \* 2/1939 Loomis ..... G10D 9/005  
84/394

(Continued)

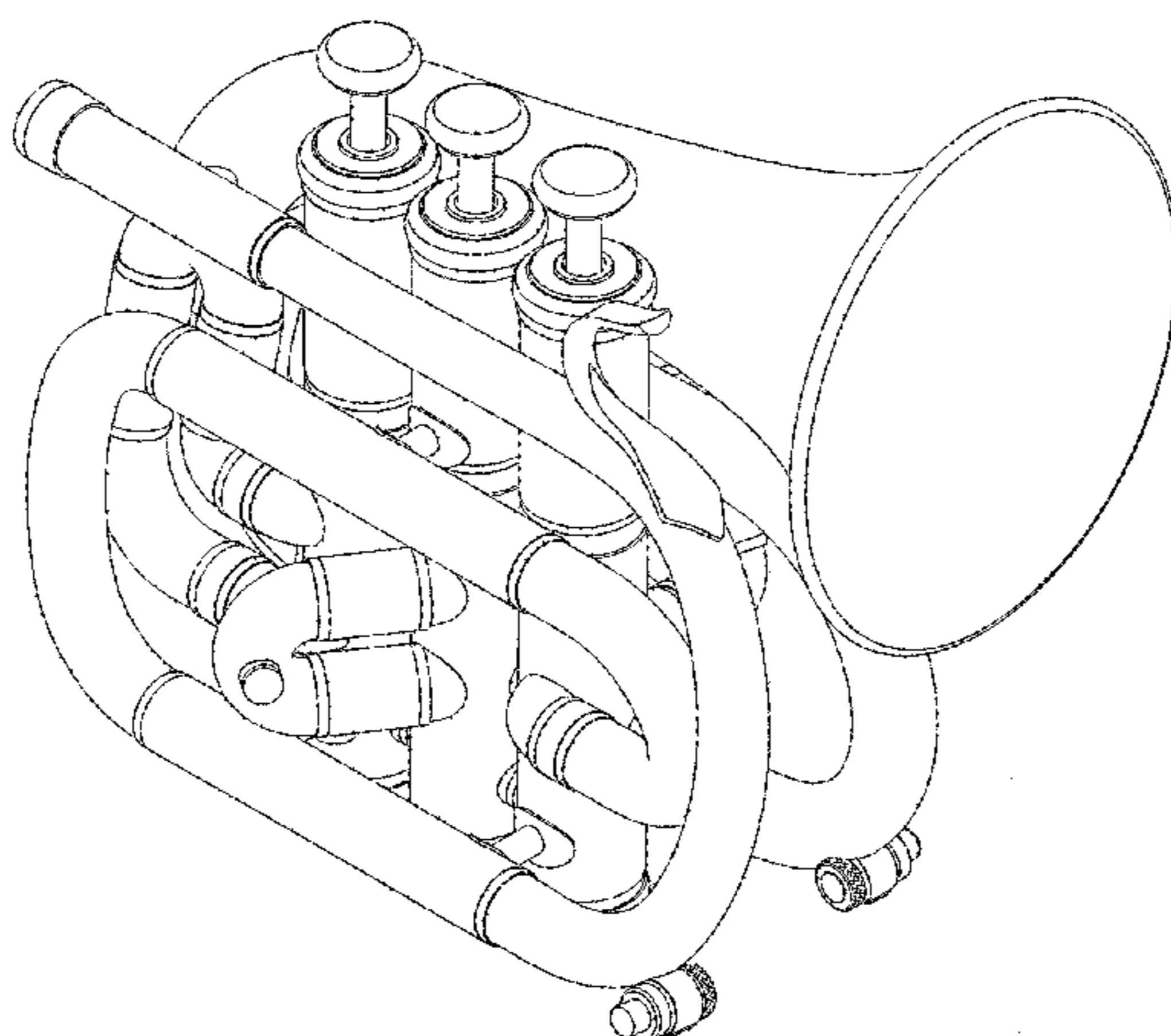
(57) **CLAIM**

The ornamental design for a mini pocket trumpet, as shown  
and described.

**DESCRIPTION**

FIG. 1 is a perspective view of a mini pocket trumpet,  
showing my new design;  
FIG. 2 is a front elevational view thereof;  
FIG. 3 is a rear elevational view thereof;  
FIG. 4 is a left side view thereof;  
FIG. 5 is a right side view thereof;  
FIG. 6 is a top plan view thereof; and,  
FIG. 7 is a bottom plan view thereof.  
The broken lines are included for the purpose of illustrating  
portions of the mini pocket trumpet and form no part of the  
claimed design.

**1 Claim, 7 Drawing Sheets**



(56)

**References Cited**

U.S. PATENT DOCUMENTS

3,161,103 A \* 12/1964 Pascucci ..... G10D 7/10  
84/394  
4,993,303 A \* 2/1991 Clark ..... G10D 7/10  
84/387 R  
D658,945 S \* 5/2012 Fawcett ..... D21/411  
2007/0163421 A1\* 7/2007 Wood ..... G10D 7/00  
84/380 R

FOREIGN PATENT DOCUMENTS

DE 855696 A2 \* 7/1998 ..... G10D 7/10  
GB 190721807 A \* 0/1908  
GB 191416780 A \* 0/1915 ..... G10D 7/10  
WO WO-9742622 A1 \* 11/1997 ..... G10D 9/00

OTHER PUBLICATIONS

Pocket Comets, webarchive on Aug. 31, 2010, [online], [site visited on Oct. 27, 2017]. Available from Internet, <URL: [https://web.archive.org/web/20100831105413/http://www.pocketcornets.com:80/html/new\\_pockets\\_for\\_sale.html](https://web.archive.org/web/20100831105413/http://www.pocketcornets.com:80/html/new_pockets_for_sale.html)> (Year: 2010).\*

Pocket Comets, article production year in 1998, [online], [site visited on Oct. 27, 2017]. Available from Internet, <URL: [http://www.pocketcornets.com/html/holton\\_c-150.html](http://www.pocketcornets.com/html/holton_c-150.html)> (Year: 1998).\*

The Met Museum, Tuba, date ca. 1855, [online], [site visited on Oct. 30, 2017]. Available from Internet, <URL: <https://www.metmuseum.org/art/collection/search/631124>> (Year: 1855).\*

\* cited by examiner

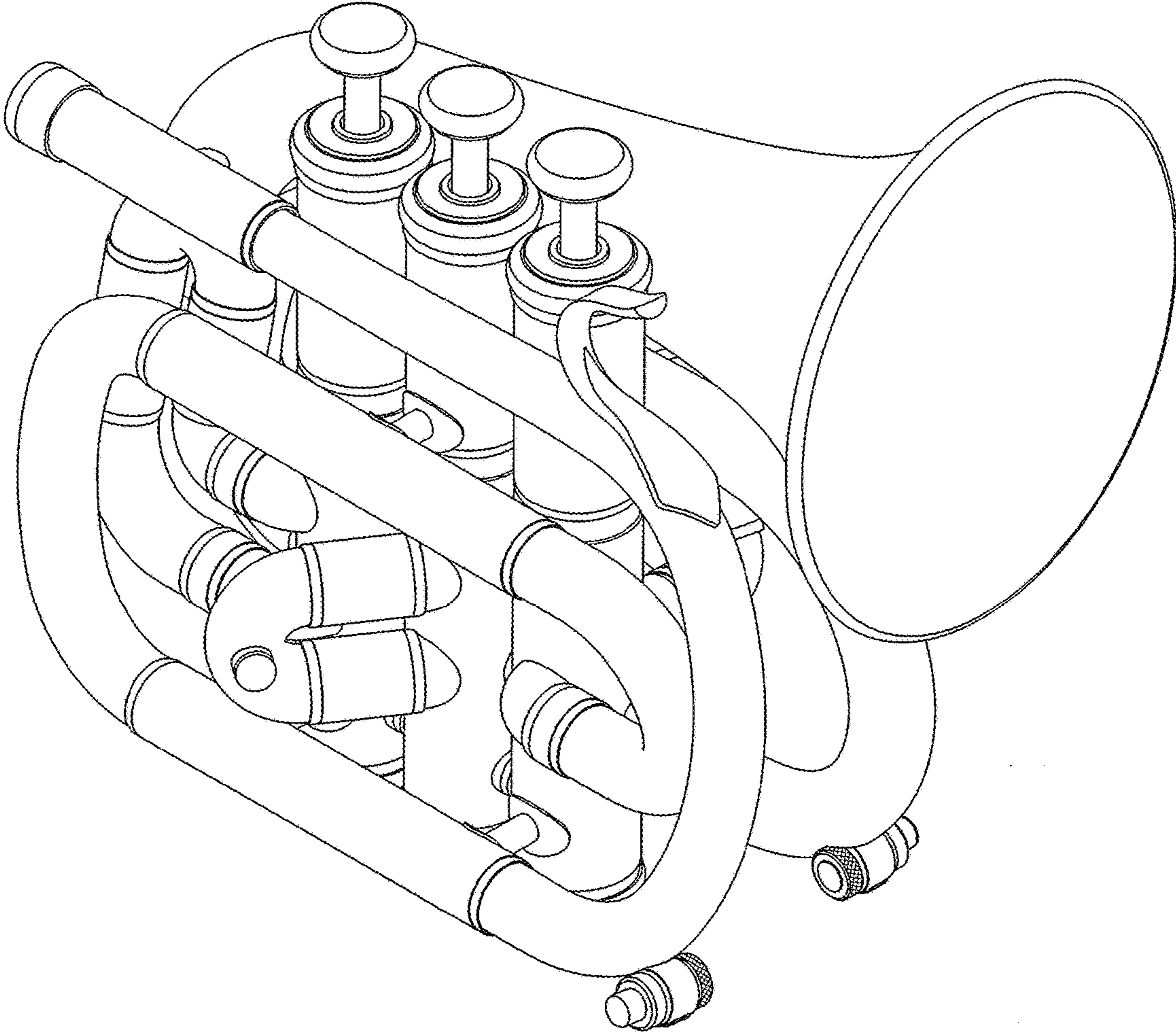


FIG. 1

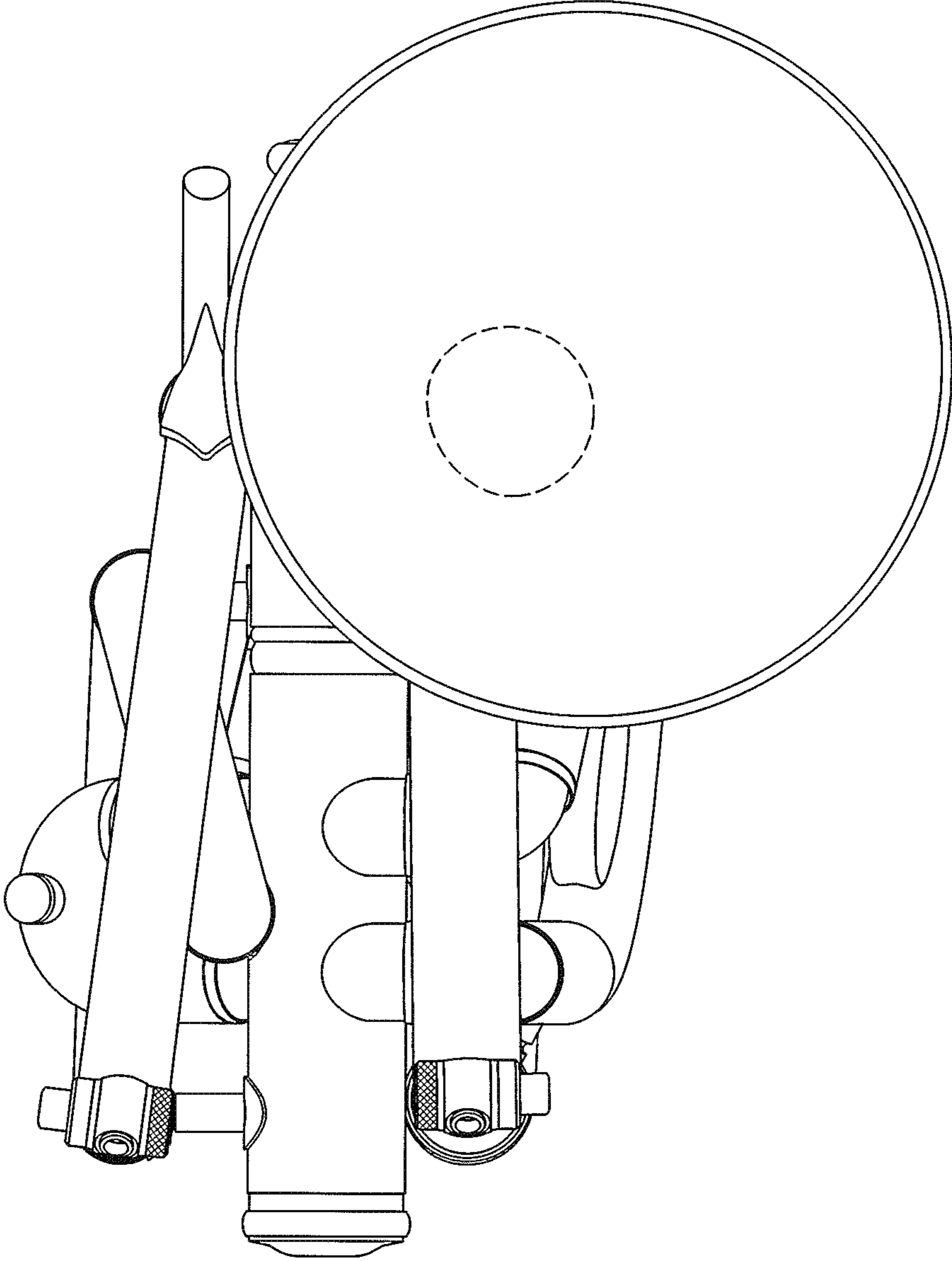


FIG. 2

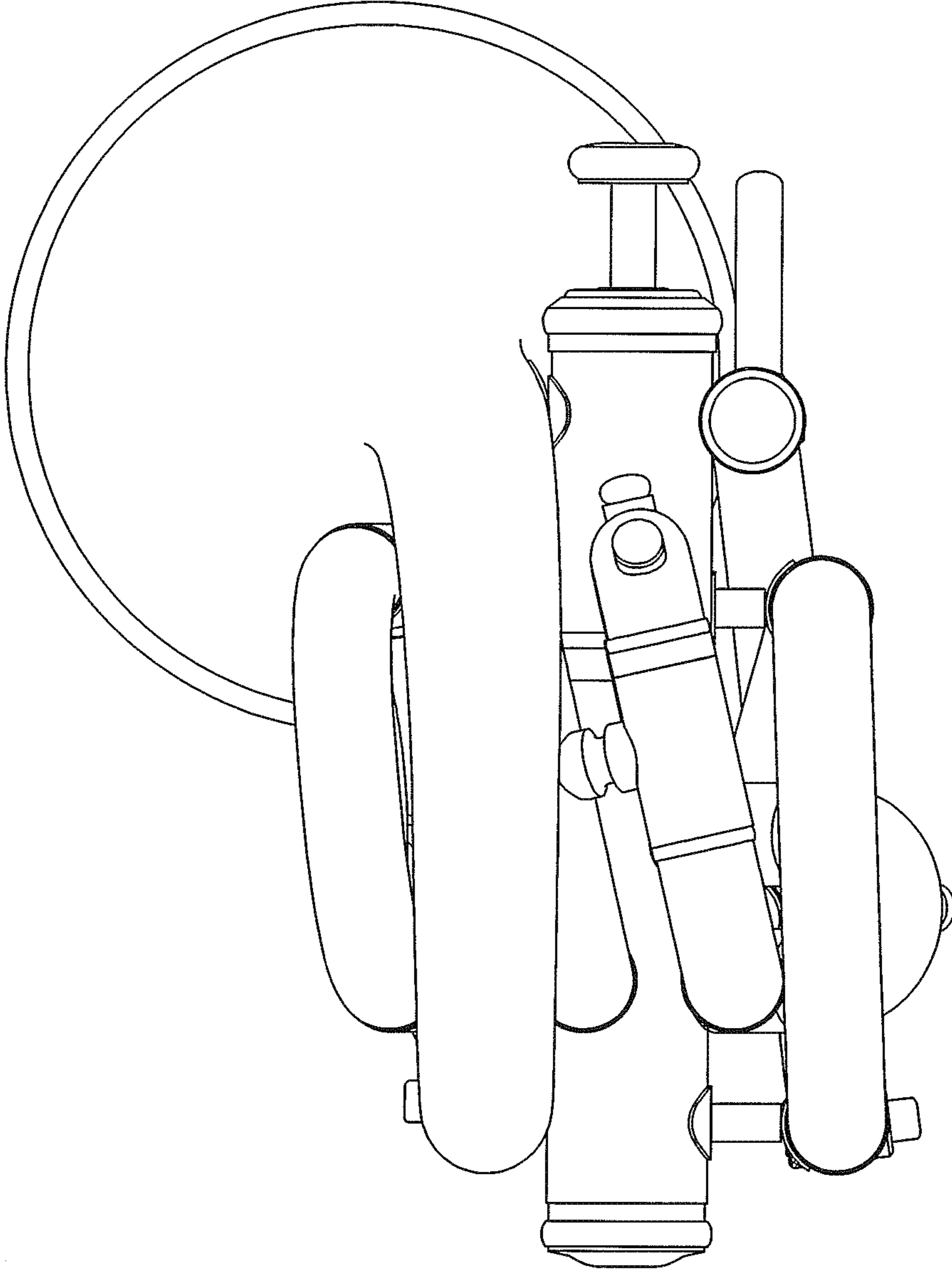


FIG. 3



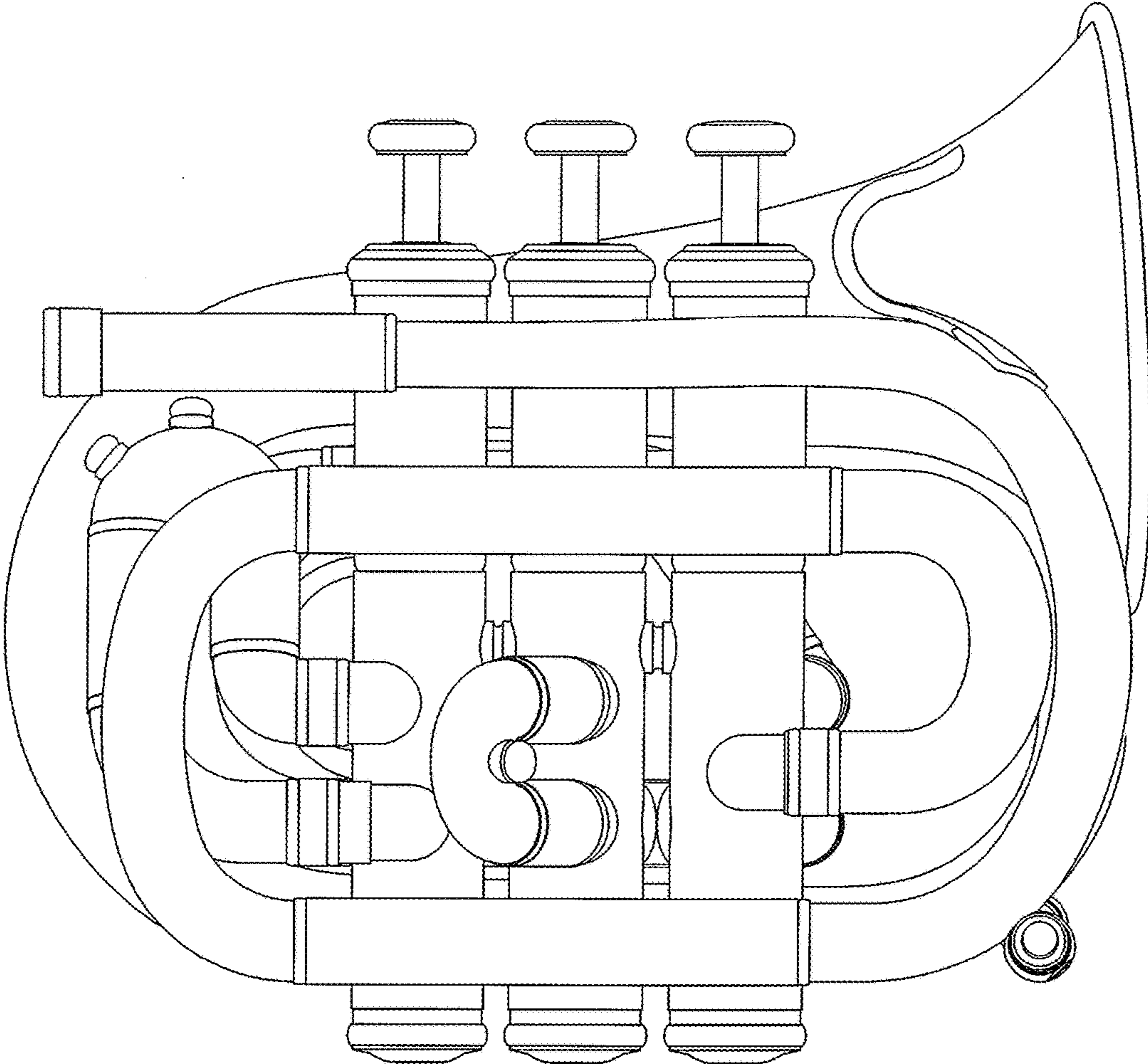


FIG. 4

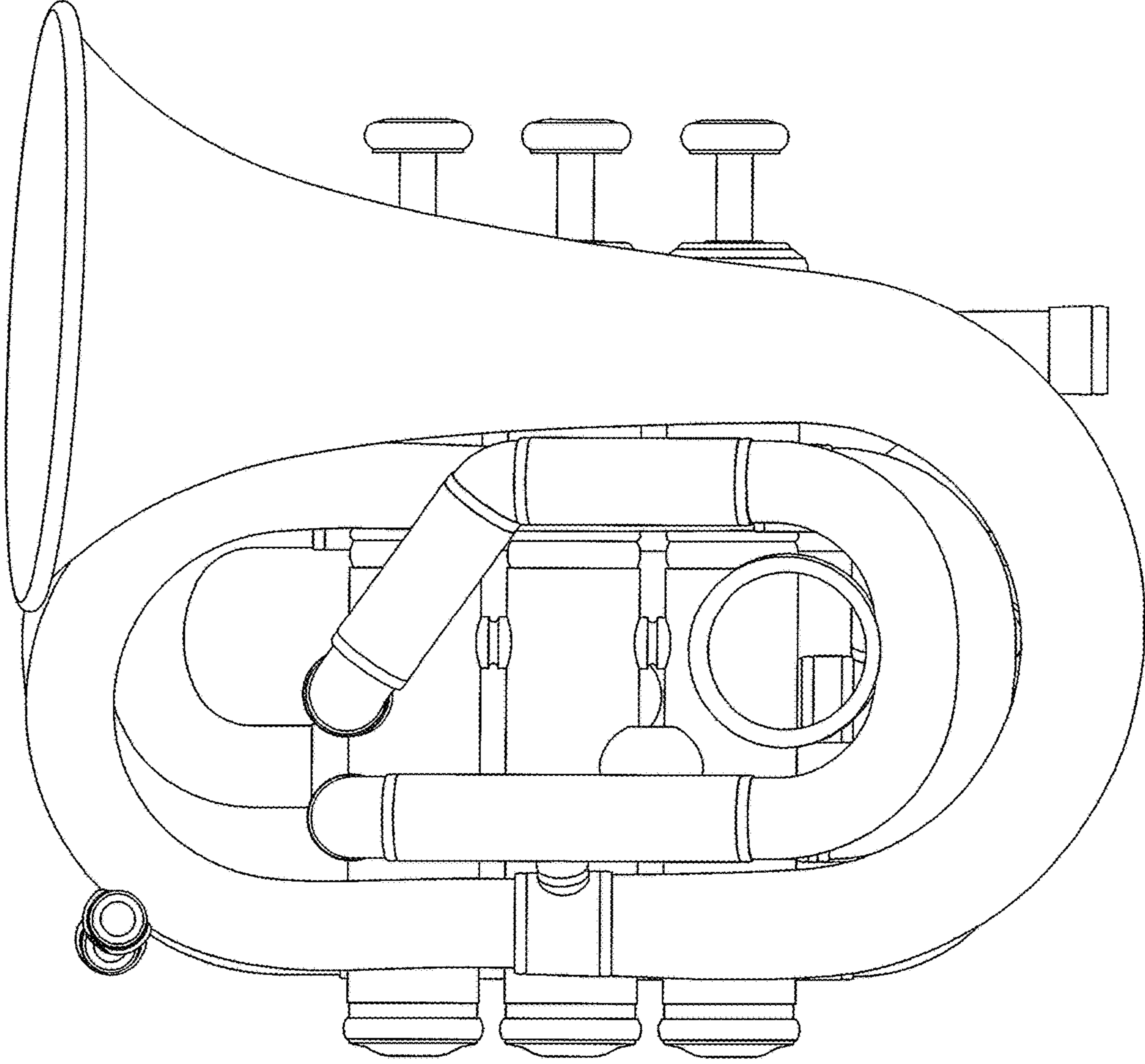


FIG. 5

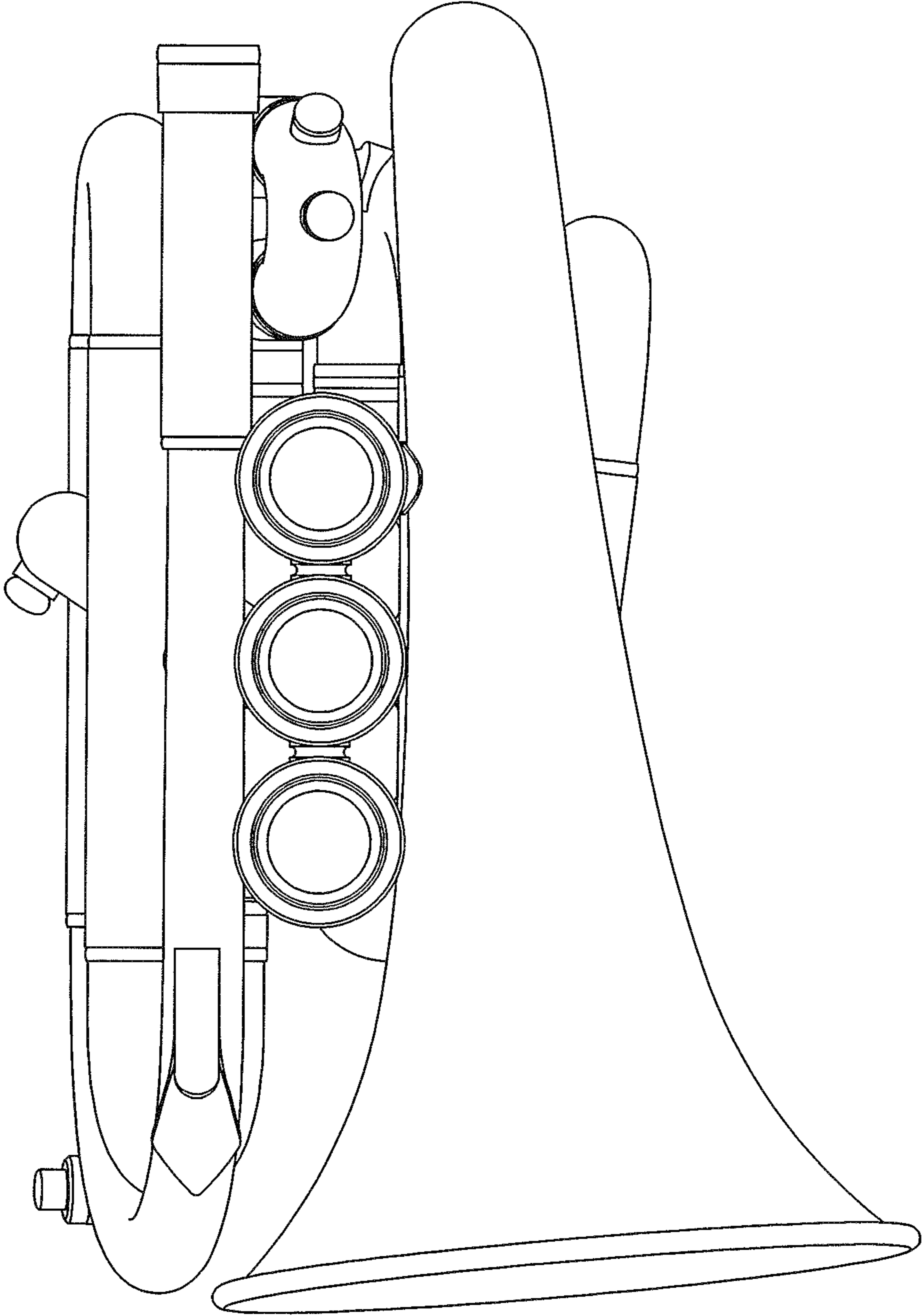


FIG. 6



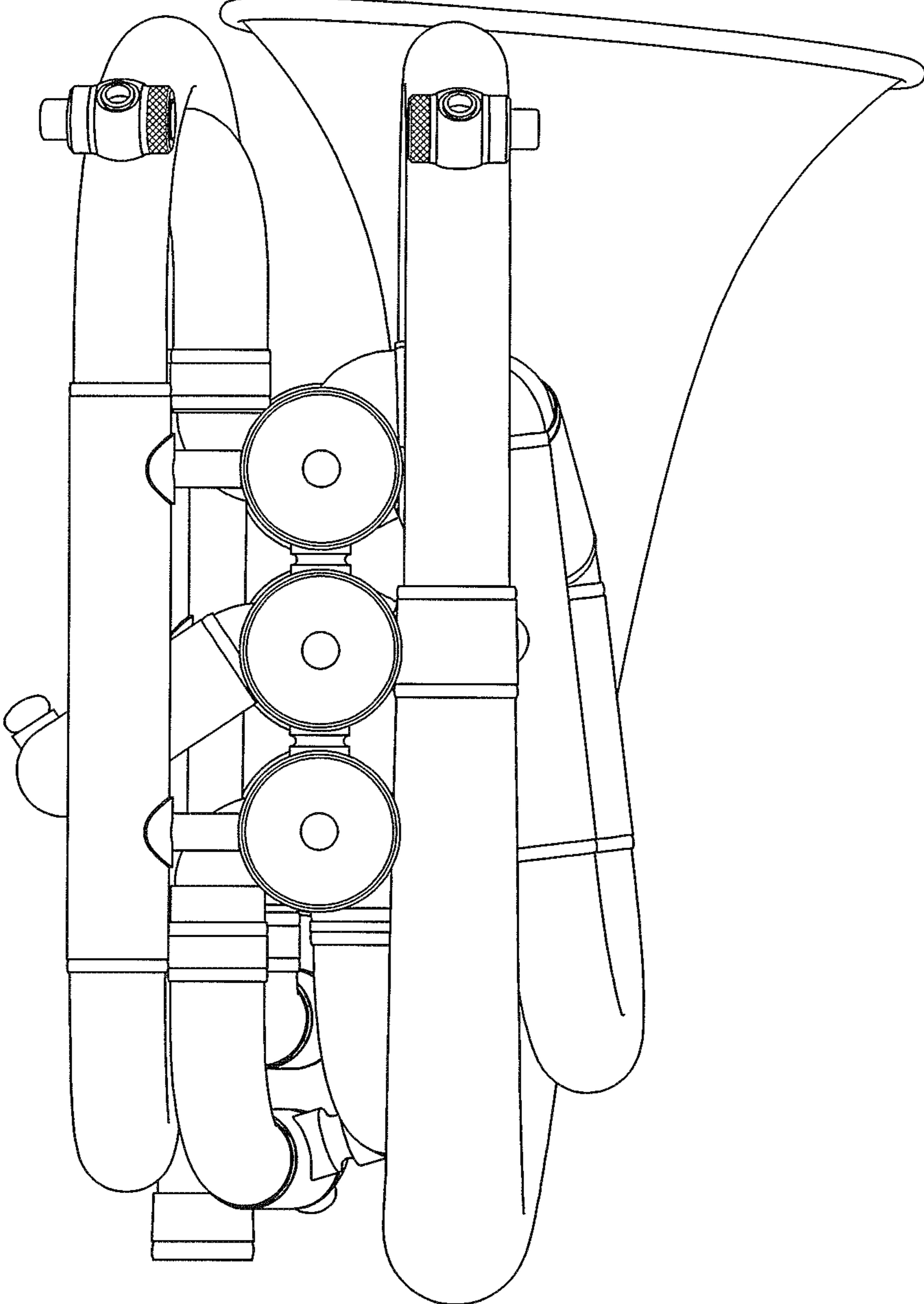


FIG. 7