



US00D810182S

(12) **United States Design Patent** (10) **Patent No.:** **US D810,182 S**  
**Porter et al.** (45) **Date of Patent:** **\*\* Feb. 13, 2018**

(54) **SMART GLASSES**  
(71) Applicant: **Vuzix Corporation**, West Henrietta, NY (US)  
(72) Inventors: **Tyler W. Porter**, Honeoye Falls, NY (US); **Russell D. Page**, Palmyra, NY (US)  
(73) Assignee: **Vuzix Corporation**, West Henrietta, NY (US)  
(\*\*) Term: **15 Years**  
(21) Appl. No.: **29/550,727**  
(22) Filed: **Jan. 6, 2016**  
(51) **LOC (11) Cl.** ..... **16-06**  
(52) **U.S. Cl.**  
USPC ..... **D16/309**  
(58) **Field of Classification Search**  
USPC ..... D16/101, 300-342, 900; D29/109-110; D21/483, 659-661; D14/372; 351/41, 351/44, 45-48, 51-52, 62, 158, 92, 351/103-123, 140-153, 63, 59; 2/13, 15, 2/426-432, 447-449, 441, 434-437  
CPC ..... G02C 2200/08; G02C 1/06; G02C 5/14; G02C 11/02; G02C 11/04; G02C 5/16; G02C 2200/22; G02C 5/146; G02C 5/2254; G02C 5/008; G01C 5/16; A61M 2021/0044; A63B 33/002  
See application file for complete search history.

(56) **References Cited**  
U.S. PATENT DOCUMENTS  
D420,378 S \* 2/2000 Wu ..... D16/321  
D548,269 S \* 8/2007 Baden ..... D16/313  
D557,730 S \* 12/2007 Mage ..... D16/326  
D564,569 S \* 3/2008 Mage ..... D16/325  
D565,085 S \* 3/2008 Mage ..... D16/325

D591,326 S 4/2009 Travers et al.  
D621,805 S 8/2010 Travers et al.  
D623,217 S \* 9/2010 Markovitz ..... D16/325  
D645,492 S \* 9/2011 Zhao ..... D16/309  
D645,493 S \* 9/2011 Zhao ..... D16/309  
D646,316 S \* 10/2011 Zhao ..... D16/309  
D667,482 S \* 9/2012 Healy ..... D16/309  
D667,483 S \* 9/2012 Krsmanovic ..... D16/300  
D669,523 S \* 10/2012 Wakata ..... D16/309  
D677,711 S \* 3/2013 Mage ..... D16/325  
D681,100 S \* 4/2013 Markovitz ..... D16/326  
D685,409 S \* 7/2013 Sheldon ..... D16/315  
D689,118 S \* 9/2013 Koh ..... D16/325  
D720,798 S \* 1/2015 Lee ..... D16/300  
D728,664 S \* 5/2015 Yoo ..... D16/300  
D730,975 S \* 6/2015 Stables ..... D16/326

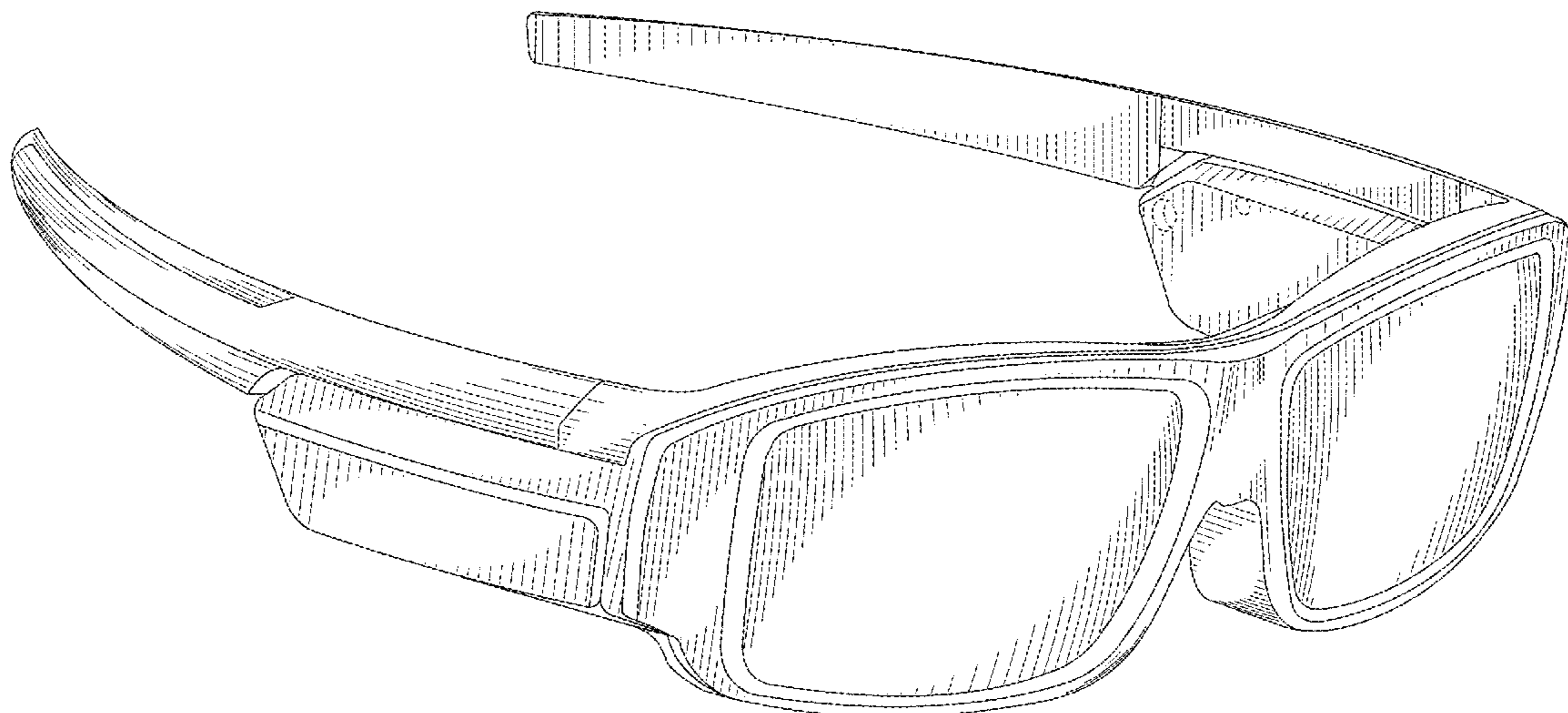
(Continued)

*Primary Examiner* — Eric L Goodman  
*Assistant Examiner* — Sanjeev Paul  
(74) *Attorney, Agent, or Firm* — Thomas B. Ryan; Harter Secrest & Emery LLP

(57) **CLAIM**  
The ornamental design for a smart glasses, as shown and described.

**DESCRIPTION**  
FIG. 1 is a top, front, and left side perspective view of a smart glasses showing our new design.  
FIG. 2 is a top, back, and right side perspective view thereof.  
FIG. 3 is a top plan view thereof.  
FIG. 4 is a bottom plan view thereof.  
FIG. 5 is a front elevational view thereof.  
FIG. 6 is a back elevational view thereof.  
FIG. 7 is a left side elevational view thereof; and,  
FIG. 8 is a right side elevational view thereof.  
The broken lines showing features on the inside of the nose bridge and temple arms are for the purpose of illustrating unclaimed portions of the smart glasses and form no part of the claimed design.

**1 Claim, 6 Drawing Sheets**



(56)

**References Cited**

U.S. PATENT DOCUMENTS

D733,213	S *	6/2015	Stables .....	D16/326
D737,886	S *	9/2015	Markovitz .....	D16/326
D740,349	S *	10/2015	Martin .....	D16/323
D740,350	S *	10/2015	Hsu .....	D16/326
D741,398	S *	10/2015	Echeverri .....	D16/326
D741,399	S *	10/2015	Ho .....	D16/335
D746,362	S *	12/2015	Markovitz .....	D16/326
D746,366	S *	12/2015	Markovitz .....	D16/326
D746,899	S *	1/2016	Markovitz .....	D16/326
D748,185	S *	1/2016	DiChiara .....	D16/309
D748,186	S *	1/2016	DiChiara .....	D16/309
D750,696	S *	3/2016	Hsu .....	D16/326
D750,697	S *	3/2016	Hsu .....	D16/326
D750,698	S *	3/2016	Hsu .....	D16/326
D752,678	S *	3/2016	Thixton .....	D16/326
D765,761	S *	9/2016	Votel .....	D16/326
D777,829	S *	1/2017	Chen .....	D16/326
2011/0234973	A1 *	9/2011	Ye .....	G02C 11/00 351/158
2015/0077696	A1 *	3/2015	Tanaka .....	G02C 11/00 351/62
2016/0048025	A1 *	2/2016	Cazalet .....	G02B 27/0176 351/116

\* cited by examiner

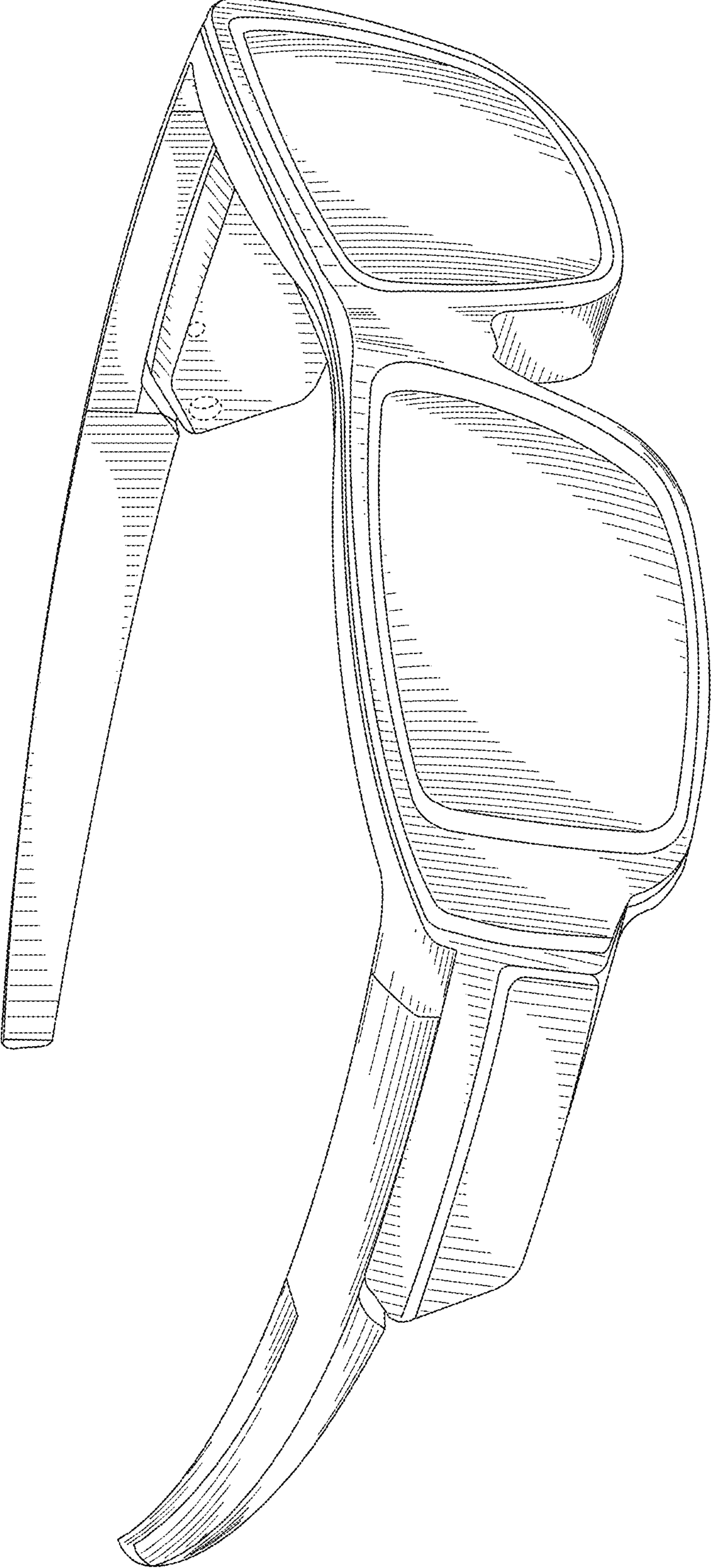


FIG. 1



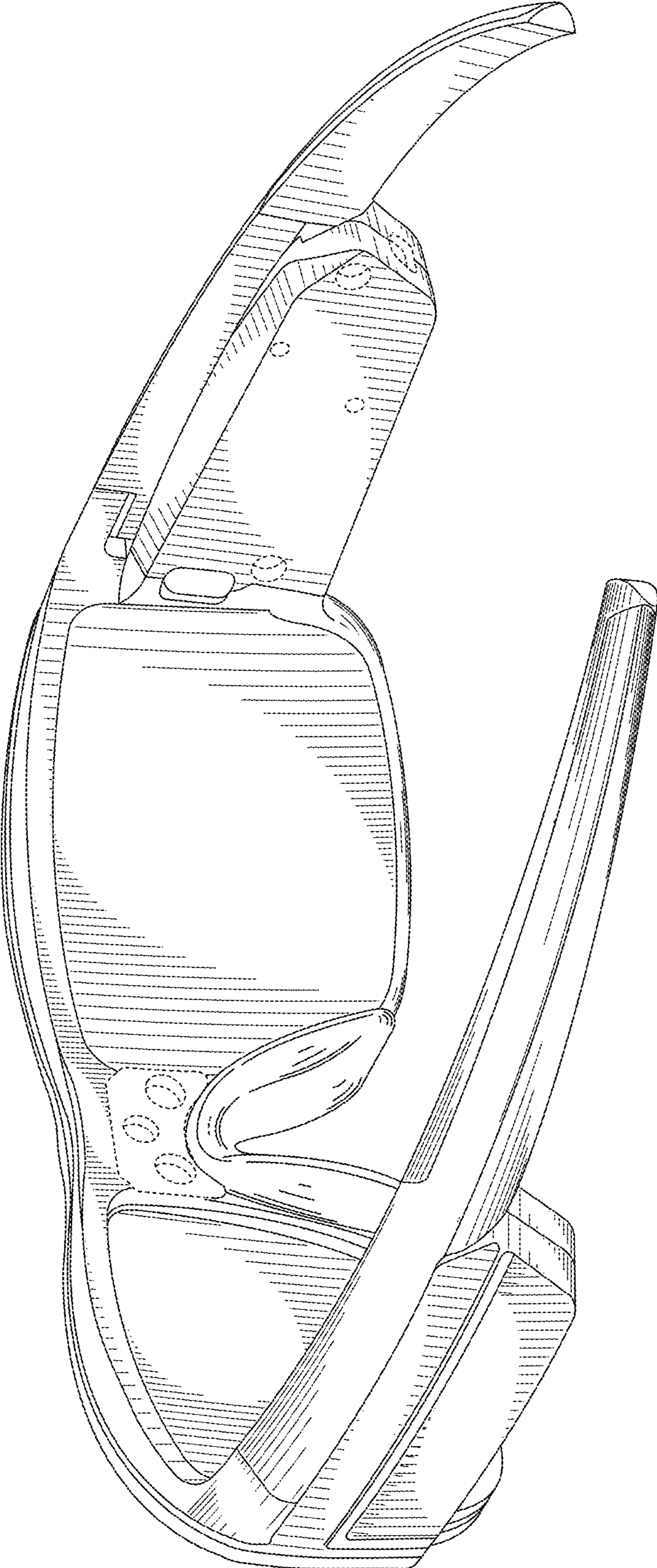


FIG. 2

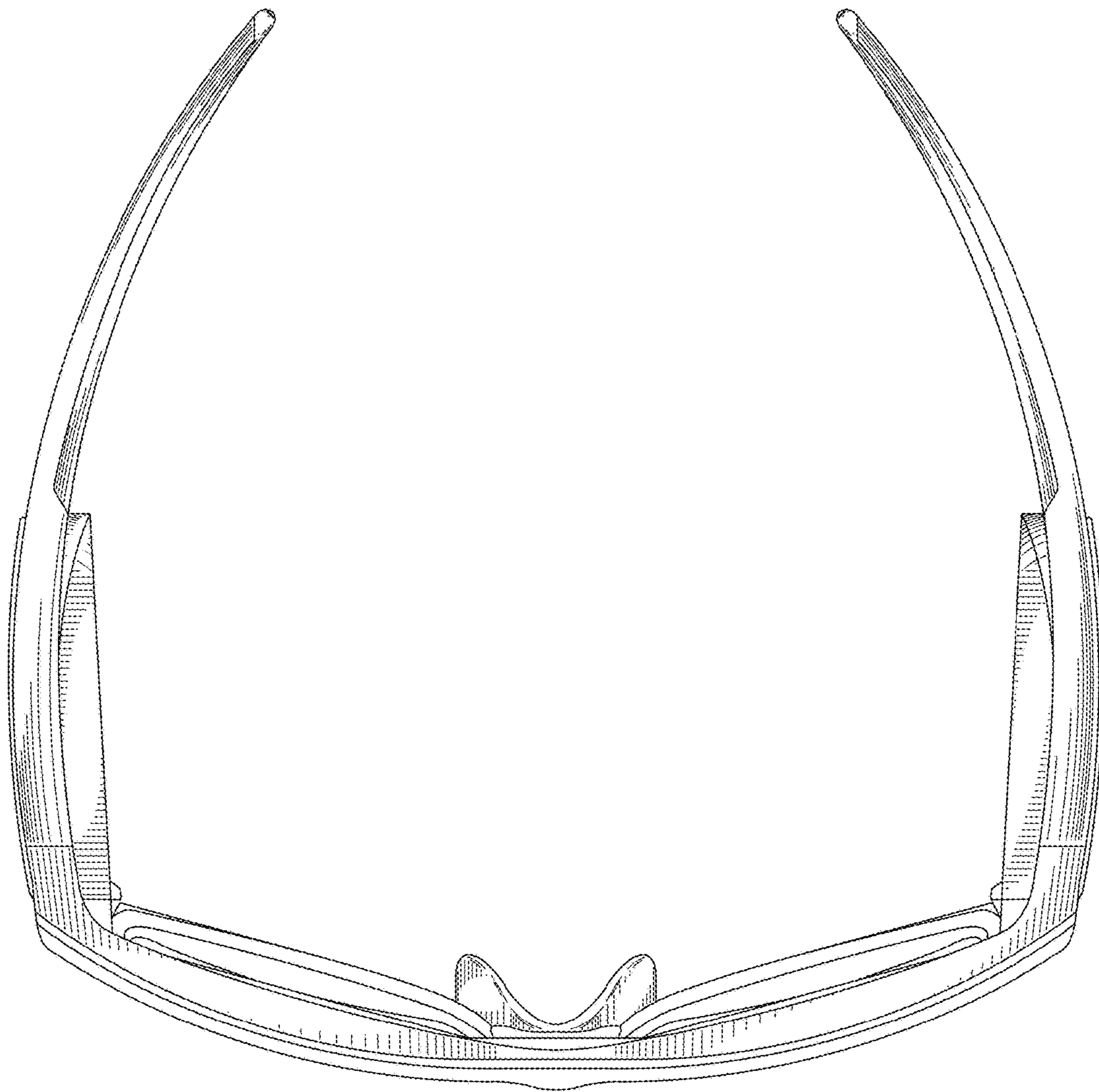


FIG. 3

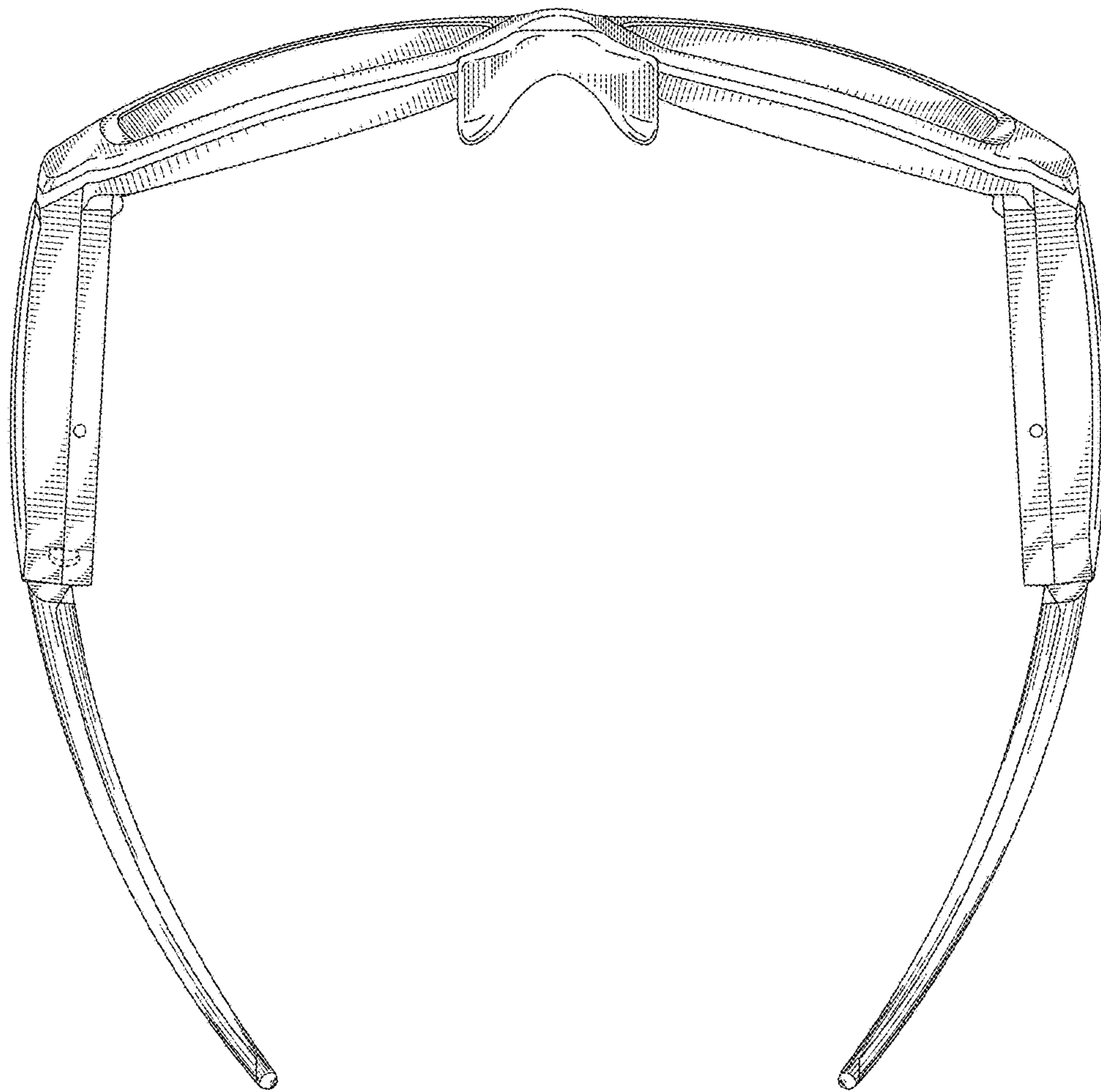


FIG. 4

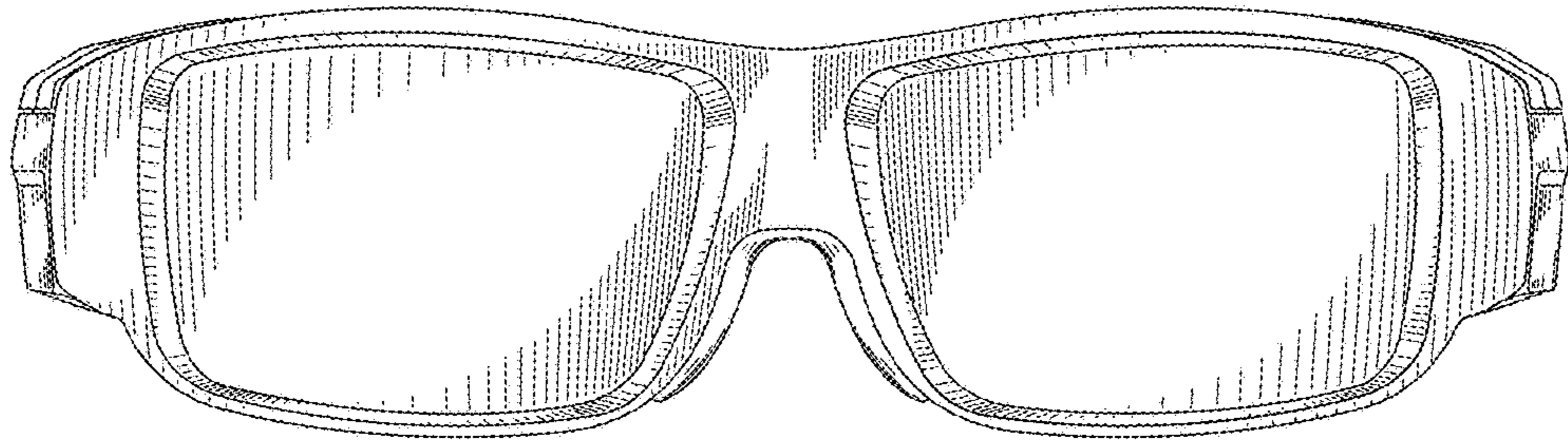


FIG. 5

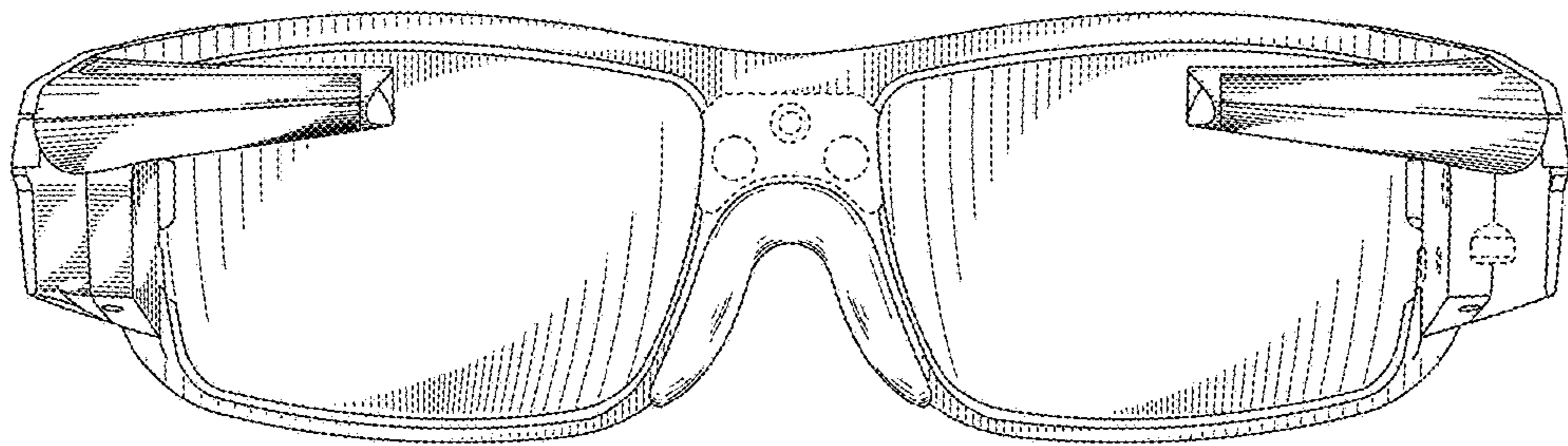


FIG. 6



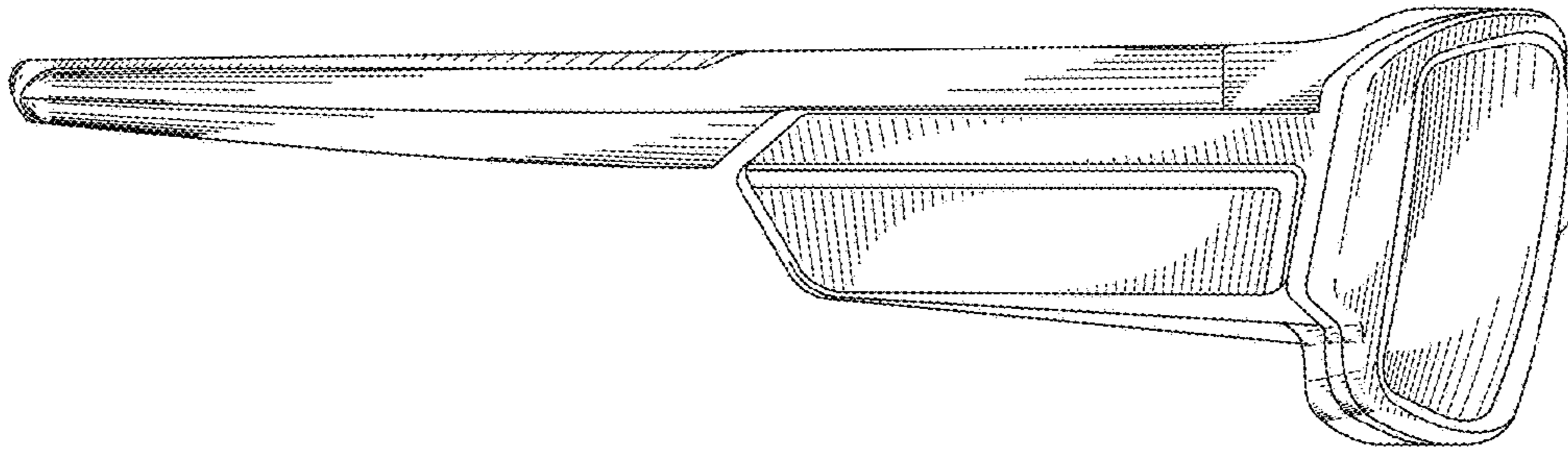


FIG. 7

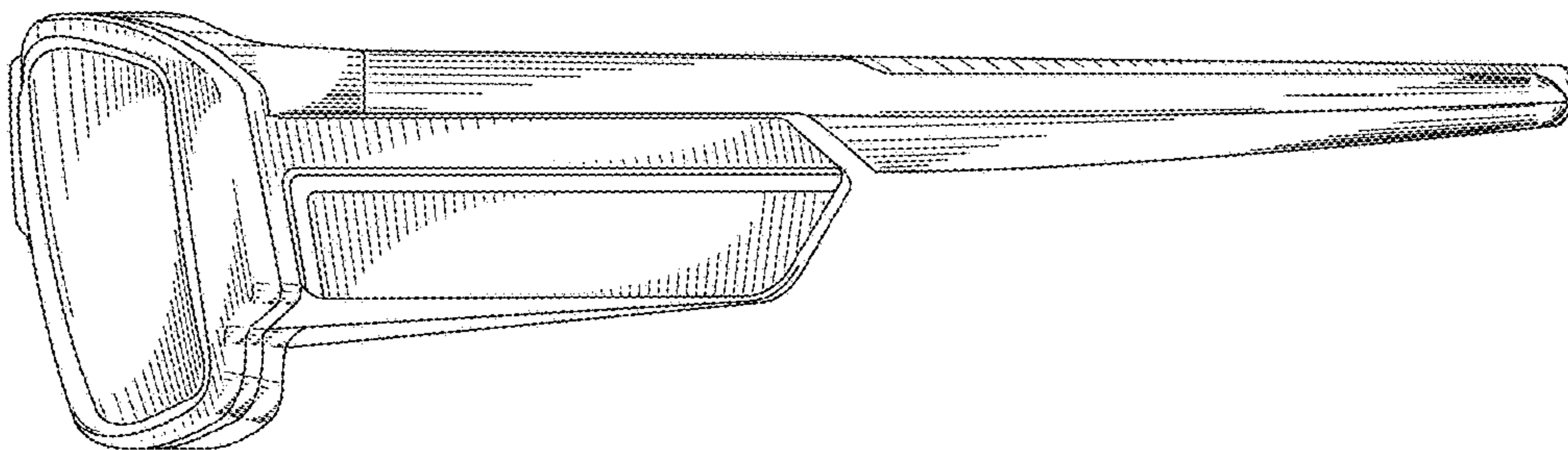


FIG. 8