



US00D810181S

(12) **United States Design Patent** (10) **Patent No.:** **US D810,181 S**
Szarawarski (45) **Date of Patent:** **** Feb. 13, 2018**

(54) **HANDLE FOR CAMERA LENS**
(71) Applicant: **Steven James Szarawarski**, Belmar, NJ (US)
(72) Inventor: **Steven James Szarawarski**, Belmar, NJ (US)
(**) Term: **15 Years**
(21) Appl. No.: **29/535,203**
(22) Filed: **Aug. 4, 2015**
(51) **LOC (11) Cl.** **16-05**
(52) **U.S. Cl.**
USPC **D16/243**
(58) **Field of Classification Search**
USPC D16/237, 242-245, 219; D3/318, 327, D3/328; D8/354, 356, 360.1, 382, 373, D8/363, 366, 16-18, 349, 367; D11/200, D11/218
CPC G03B 17/56; G03B 17/561; G03B 17/566; A45F 2200/0433; A45F 3/14; B60P 7/0823; A45C 13/30; A45C 11/38
See application file for complete search history.

(56) **References Cited**
U.S. PATENT DOCUMENTS
D28,383 S * 3/1898 Haines D8/349
4,370,040 A * 1/1983 Lange A45C 13/30
224/908
D401,259 S * 11/1998 Chapman D16/219
D516,394 S * 3/2006 Chen D8/16
D576,075 S * 9/2008 Freeman D11/218

D576,867 S * 9/2008 Kretz D8/356
D673,994 S * 1/2013 Geller D16/243
8,727,642 B1 * 5/2014 Tse G03B 17/561
396/419
D735,632 S * 8/2015 Beidler D8/349
2005/0061905 A1 * 3/2005 Sherman B63B 21/08
242/388.2
2013/0101279 A1 * 4/2013 Xu G03B 17/563
396/423

* cited by examiner

Primary Examiner — Susan Bennett Hattan
Assistant Examiner — Brett Miller
(74) *Attorney, Agent, or Firm* — Patterson + Sheridan, LLP

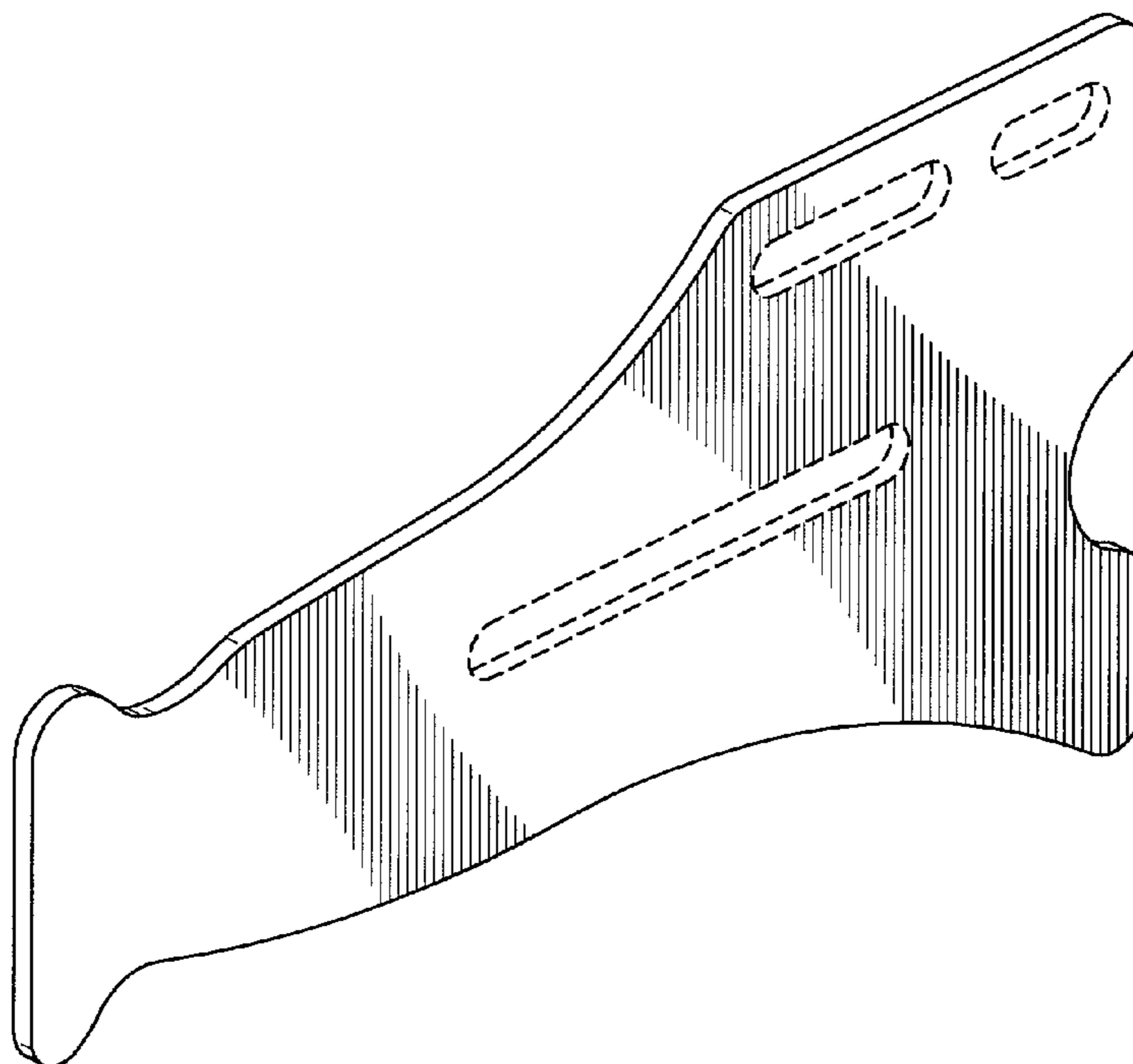
(57) **CLAIM**

I claim the ornamental design for a handle for camera lens, as shown and described.

DESCRIPTION

FIG. 1 is a perspective view of a handle for camera lens.
FIG. 2 is a left side view of the handle.
FIG. 3 is a top view of the handle.
FIG. 4 is a right side view of the handle.
FIG. 5 is a rear side view of the handle.
FIG. 6 is a front side view of the handle; and,
FIG. 7 is a perspective view of the handle mounted to a camera lens.
The broken lines in the figures depict the bounds of the claimed design and form no part thereof.

1 Claim, 4 Drawing Sheets



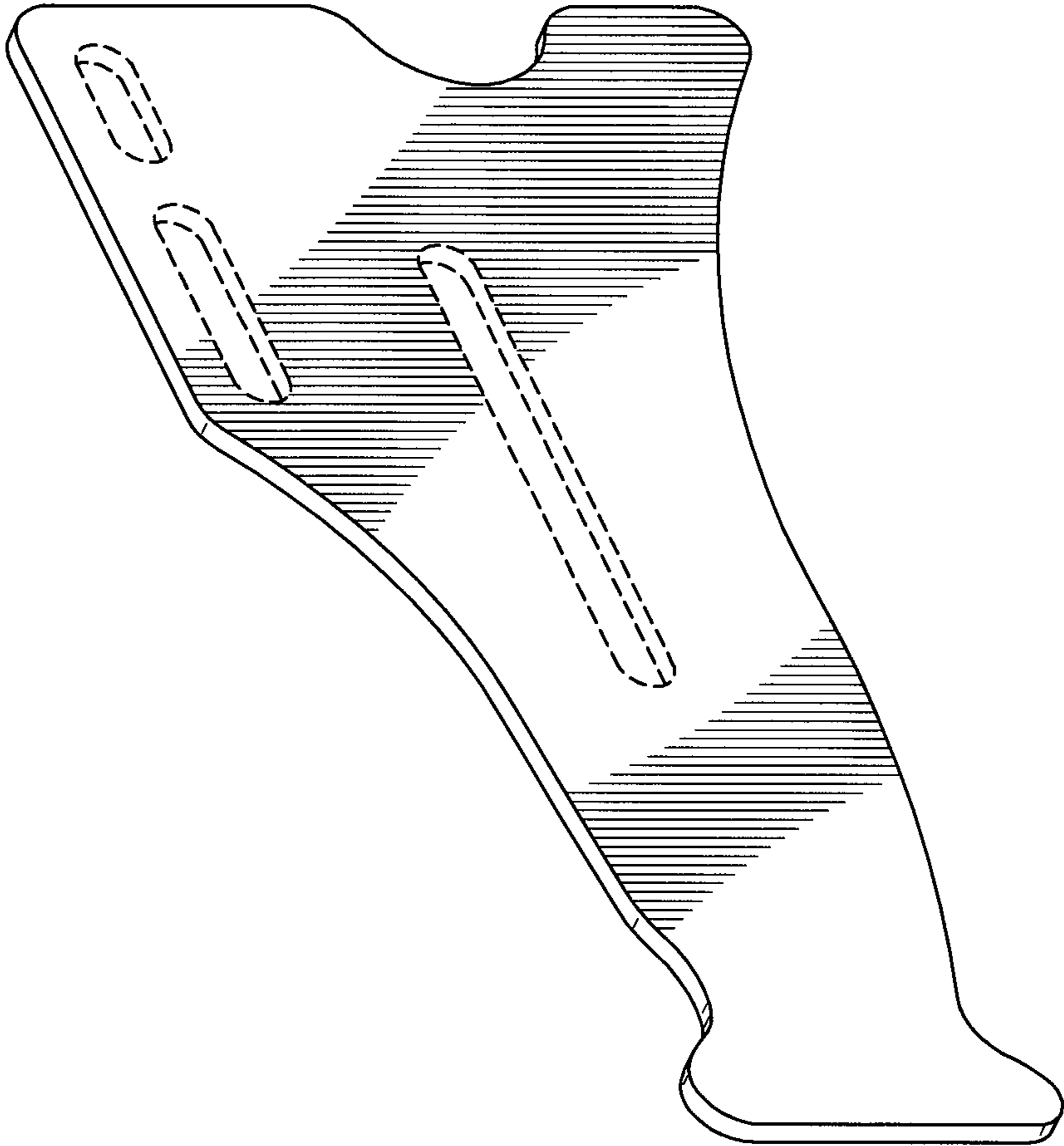


Fig. 1

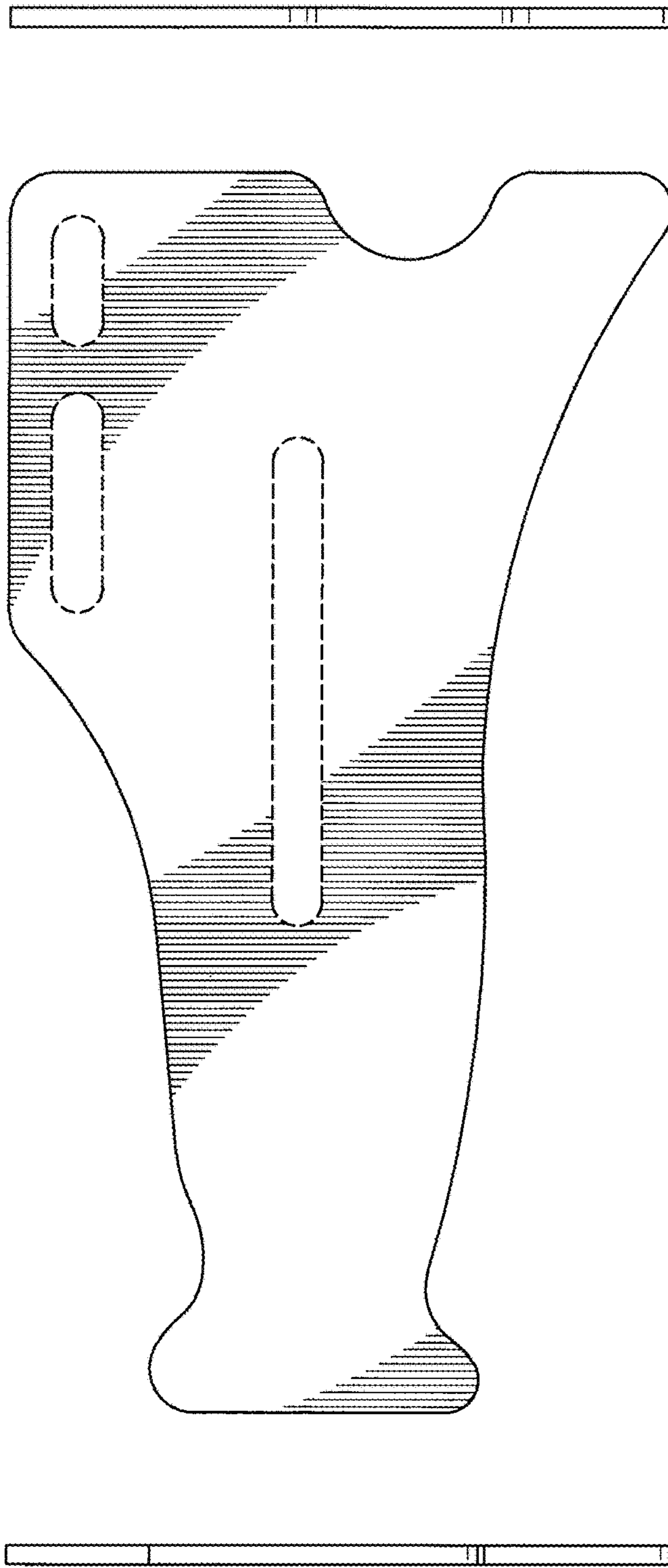


Fig. 2

Fig. 3

Fig. 4



Fig. 5



Fig. 6

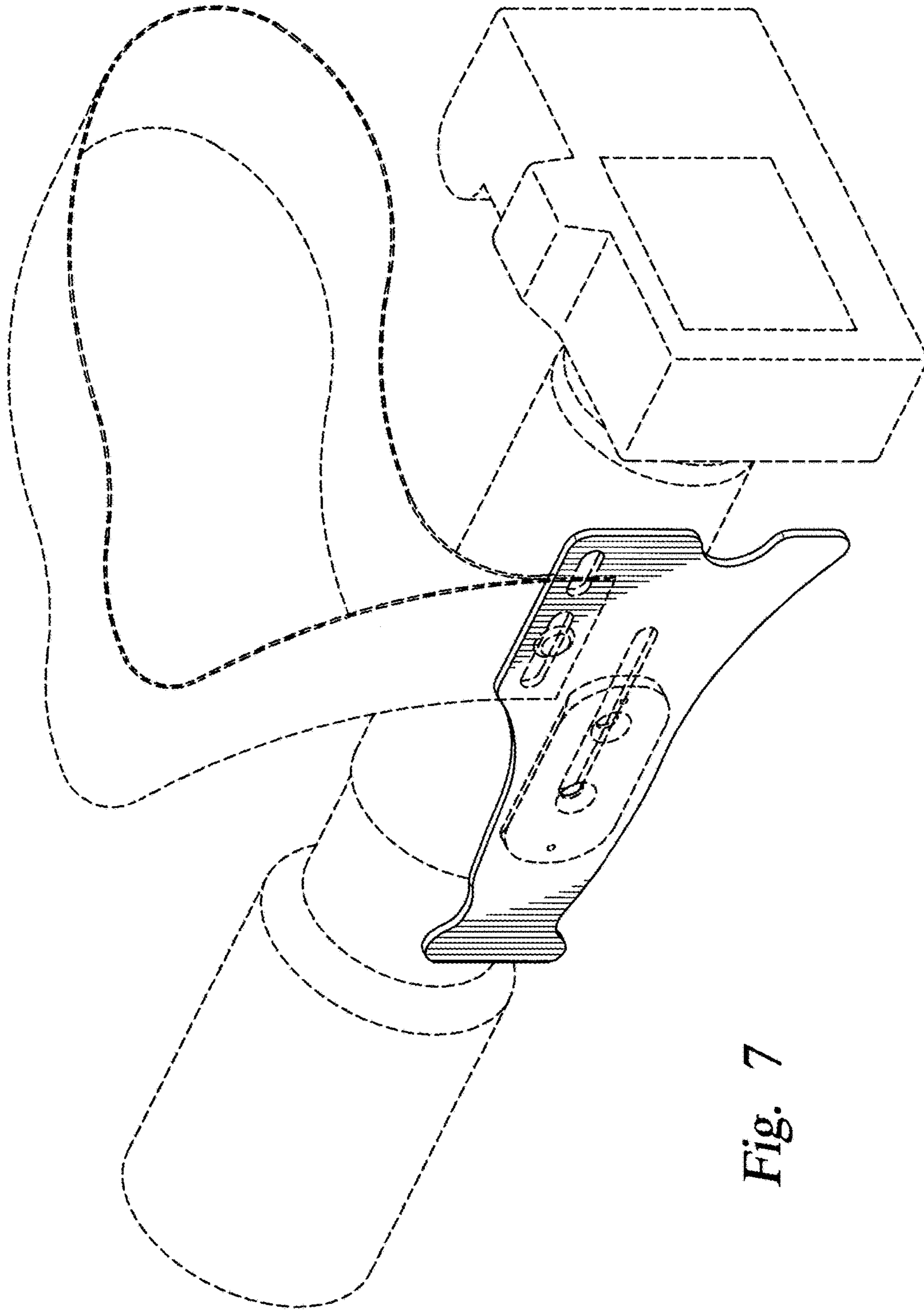


Fig. 7