



US00D810179S

(12) **United States Design Patent**
Harms et al.

(10) **Patent No.:** **US D810,179 S**

(45) **Date of Patent:** **** Feb. 13, 2018**

- (54) **SHIRT CLIP FOR CAMERA**
- (71) Applicants: **Dwight David Harms**, Little Elm, TX (US); **Timothy Francis Hall**, Little Elm, TX (US)
- (72) Inventors: **Dwight David Harms**, Little Elm, TX (US); **Timothy Francis Hall**, Little Elm, TX (US)

5,452,500 A *	9/1995	Revis	A44B 99/00
				24/499
D386,215 S *	11/1997	White	D20/43
D393,797 S *	4/1998	Kostigian	D32/64
D477,029 S *	7/2003	Korowitz	D19/65
D477,364 S *	7/2003	Tsai	D19/65
D552,978 S *	10/2007	Liao	D8/395
D564,559 S *	3/2008	Stephens	D16/208
D614,945 S *	5/2010	Chiu	D8/395
7,775,486 B2 *	8/2010	Depay	F16M 11/10
				248/121
D631,509 S *	1/2011	Liang	D19/65
D637,480 S *	5/2011	Chen	D19/65
D679,700 S *	4/2013	Werth	D14/253
D682,332 S *	5/2013	Wang	D16/242

- (73) Assignee: **TRINITY INNOVATIVE SOLUTIONS, LLC**, Little Elm, TX (US)

(**) Term: **15 Years**

* cited by examiner

(21) Appl. No.: **29/550,852**

Primary Examiner — Vy N Koenig

(22) Filed: **Jan. 7, 2016**

Assistant Examiner — Omeed Agilee

(51) **LOC (11) Cl.** **16-05**

(74) *Attorney, Agent, or Firm* — David W. Carstens; J. Andrew Reed; Carstens & Cahoon, LLP

(52) **U.S. Cl.**

USPC **D16/237**

(58) **Field of Classification Search**

USPC D16/200, 204, 208, 213–219, 235,
D16/237–250; D14/203, 209, 217, 224,
D14/250–253, 345, 440; D8/363, 373

CPC G03B 17/02; G03B 17/04; G03B 17/14;
G03B 21/20–21/2066; G03B
15/041–15/0436; G03B 17/56; F16M
11/32

See application file for complete search history.

(56) **References Cited**

U.S. PATENT DOCUMENTS

4,228,569 A *	10/1980	Snyder	A44B 99/00
				24/489
5,159,730 A *	11/1992	Radvin	A44B 99/00
				24/543

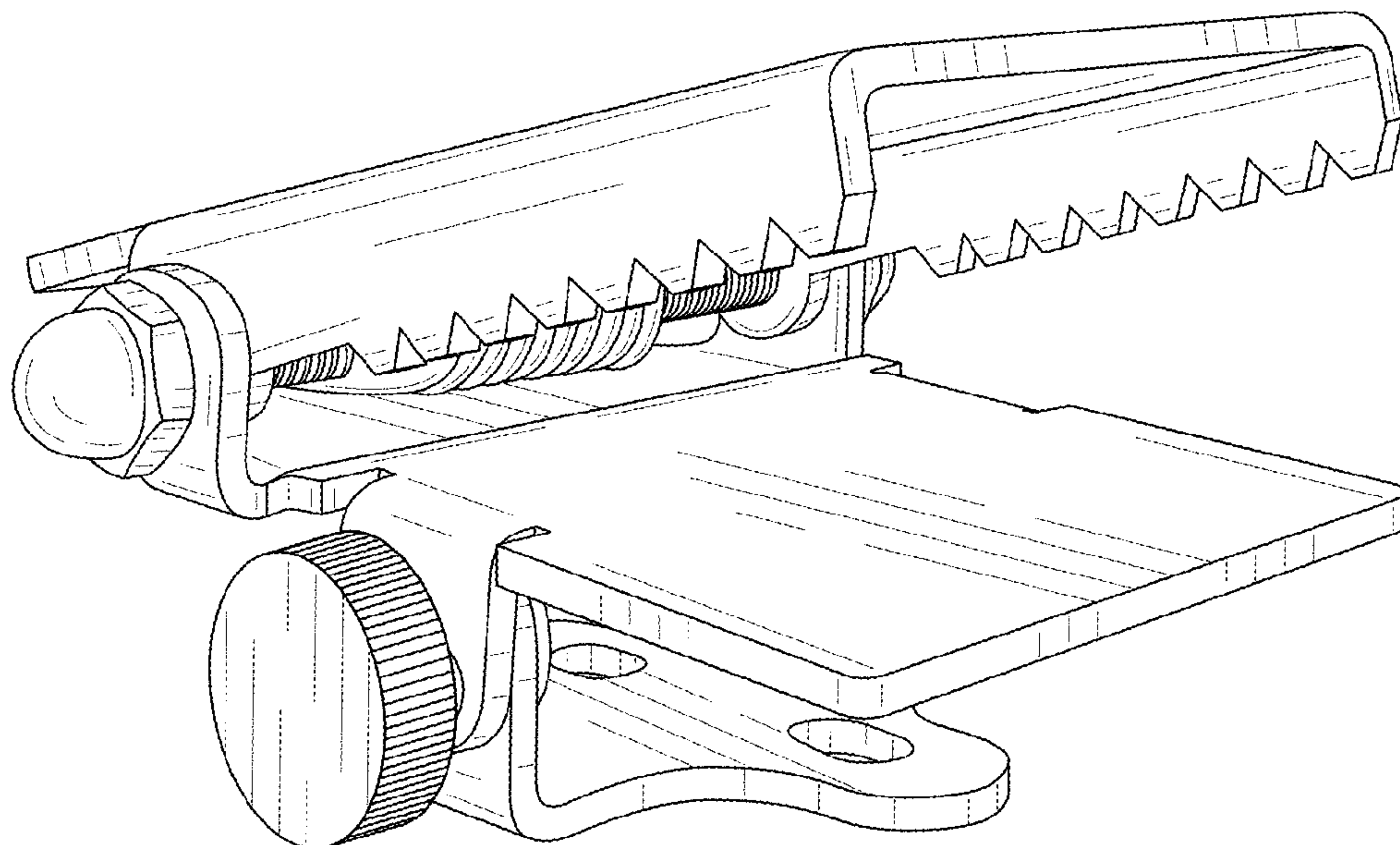
(57) **CLAIM**

The ornamental design for a shirt clip for camera, as shown and described.

DESCRIPTION

FIG. 1 is a front, left, and bottom perspective view of the shirt clip for camera in an open position;
 FIG. 2 is a front, left, and bottom perspective view of the clip in a closed position;
 FIG. 3 is a front view of the clip;
 FIG. 4 is a rear view of the clip;
 FIG. 5 is a right side elevational view of the clip;
 FIG. 6 is a left side elevational view of the clip;
 FIG. 7 is a bottom view of the clip; and,
 FIG. 8 is a top view of the clip.

1 Claim, 4 Drawing Sheets



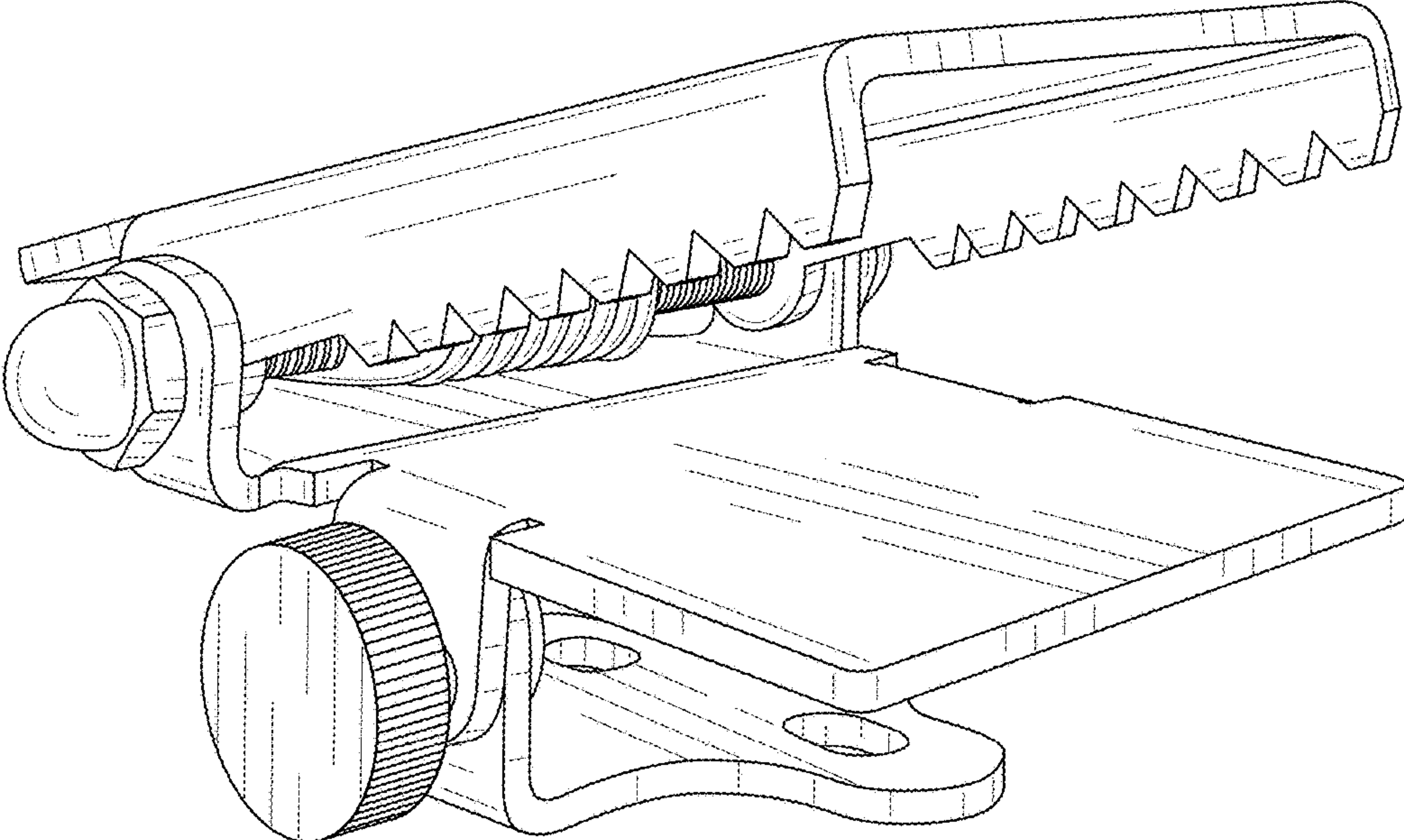


FIG. 1

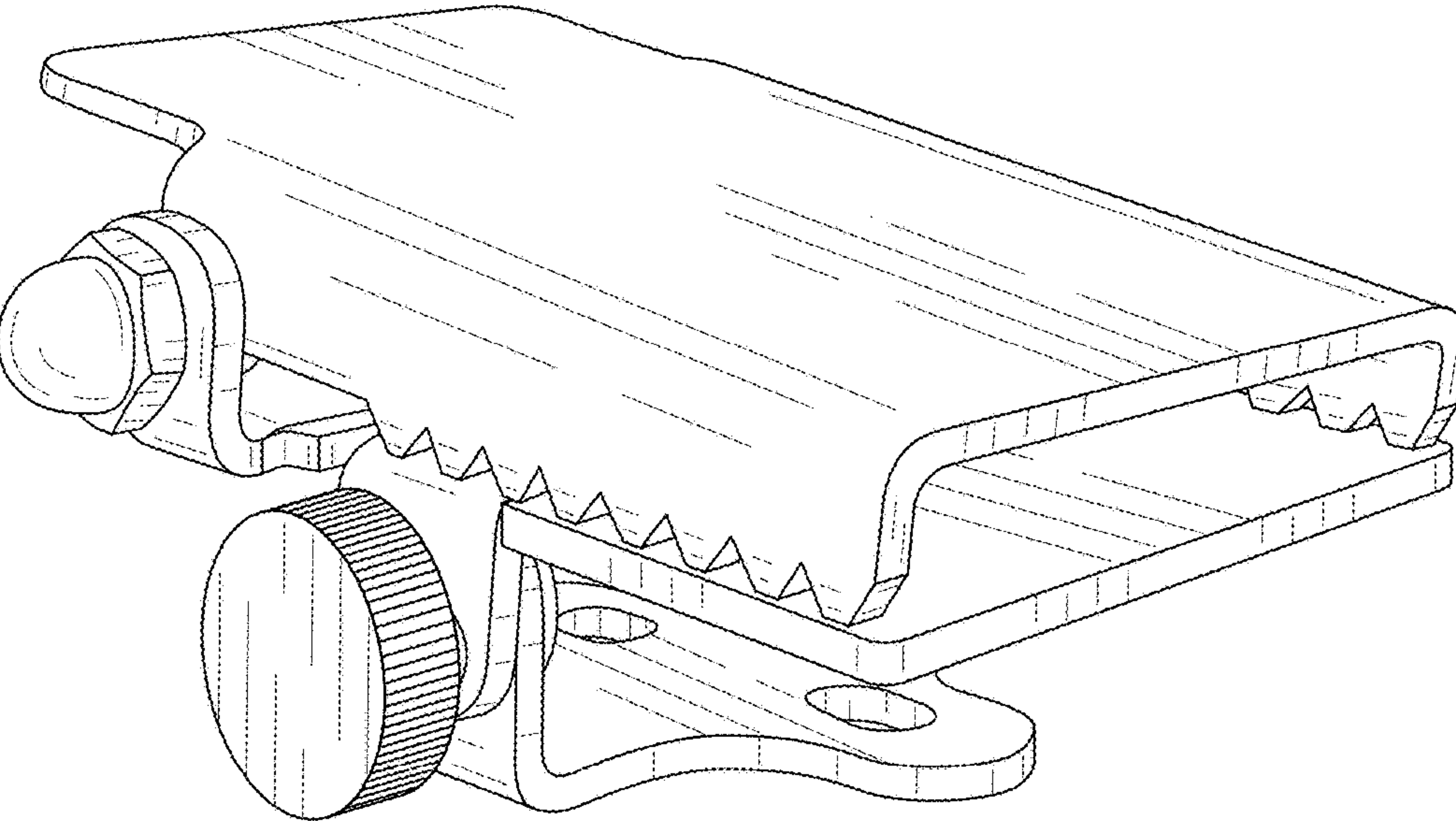


FIG. 2

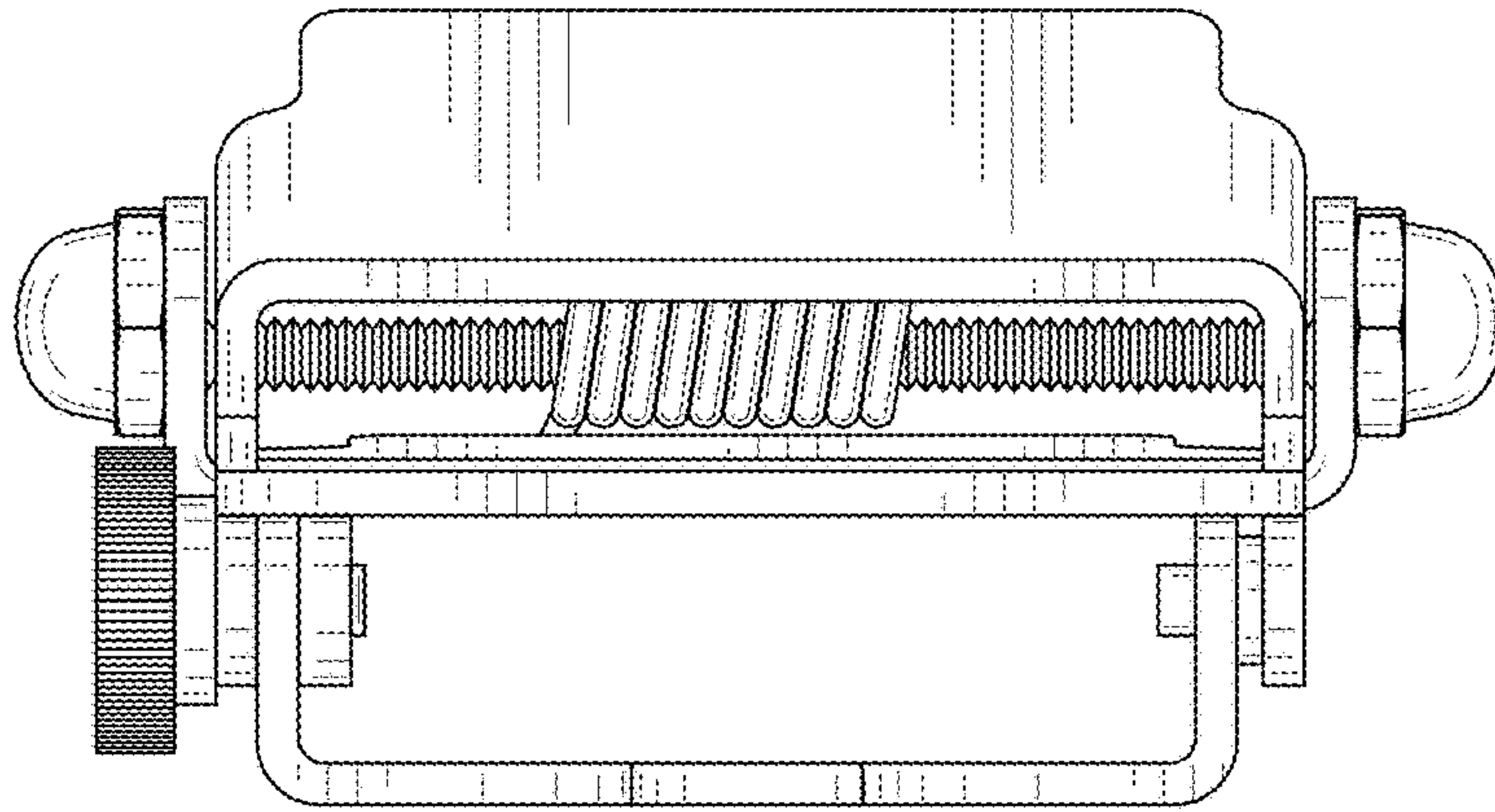


FIG. 3

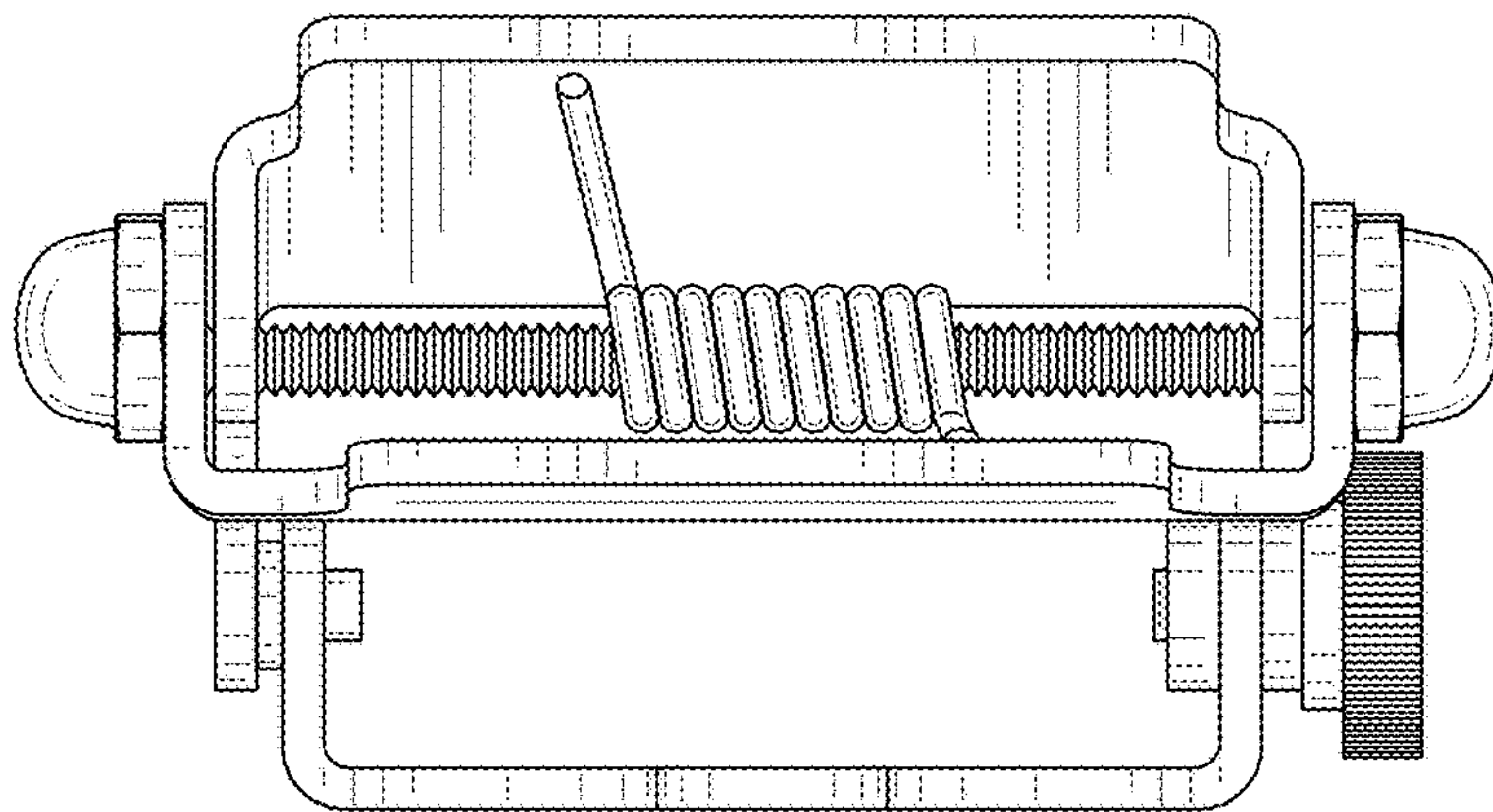


FIG. 4

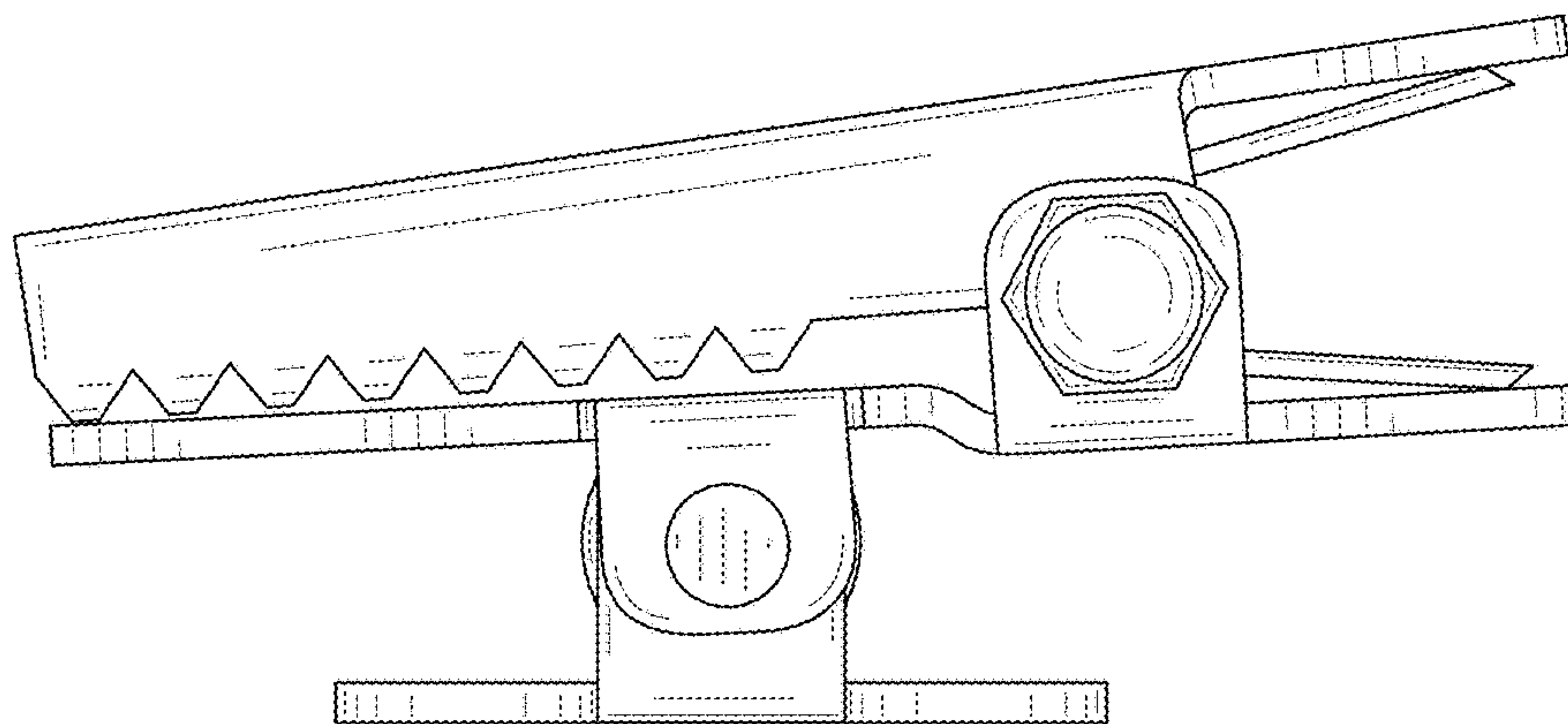


FIG. 5

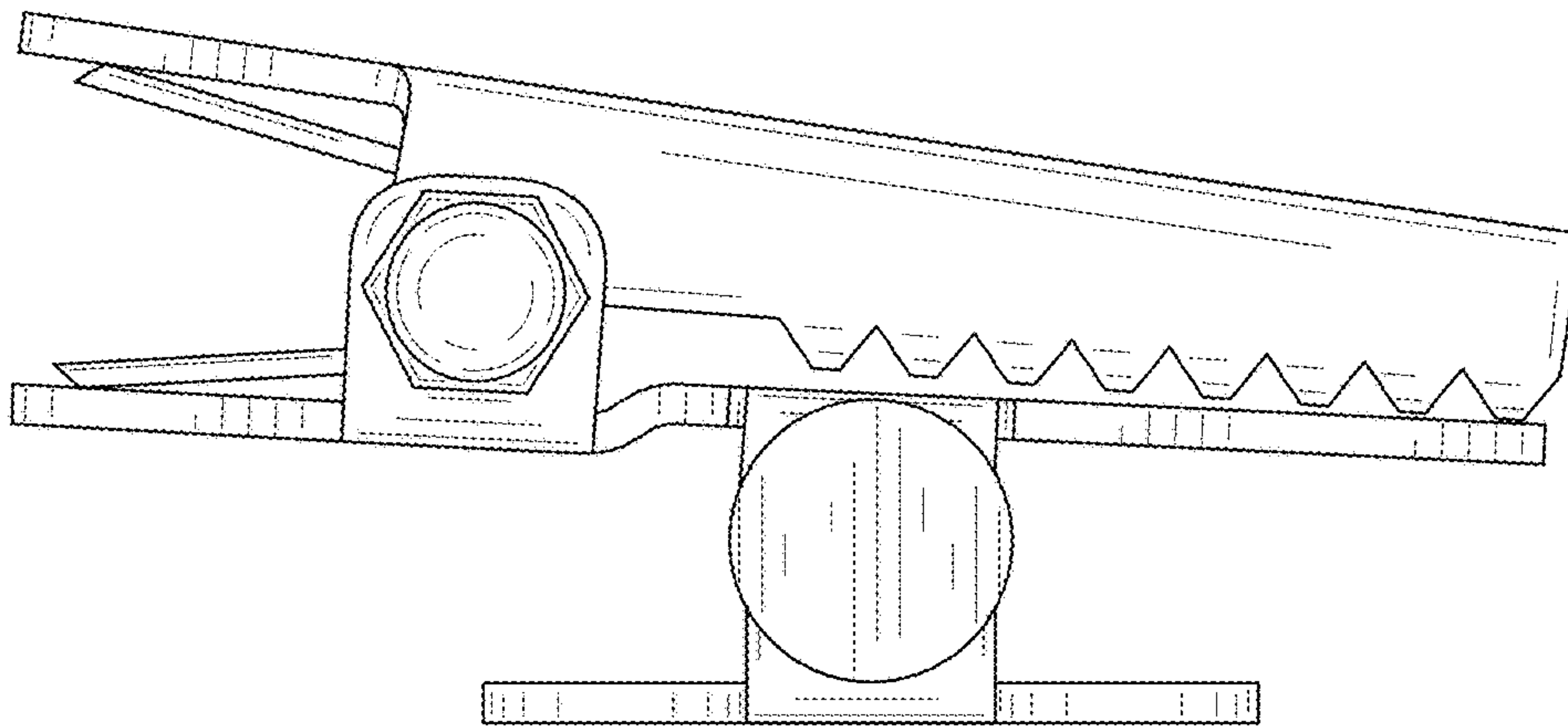


FIG. 6

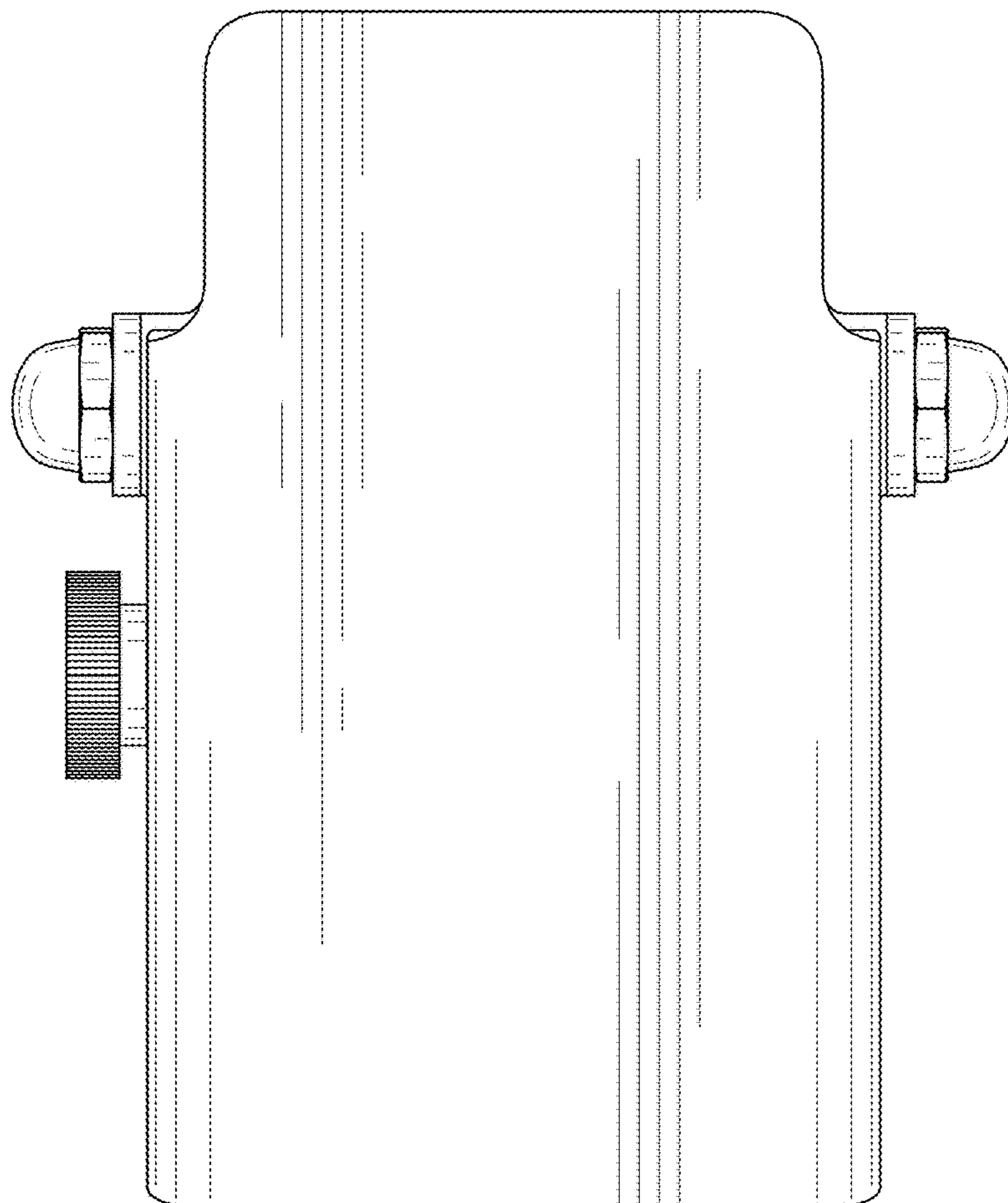


FIG. 7

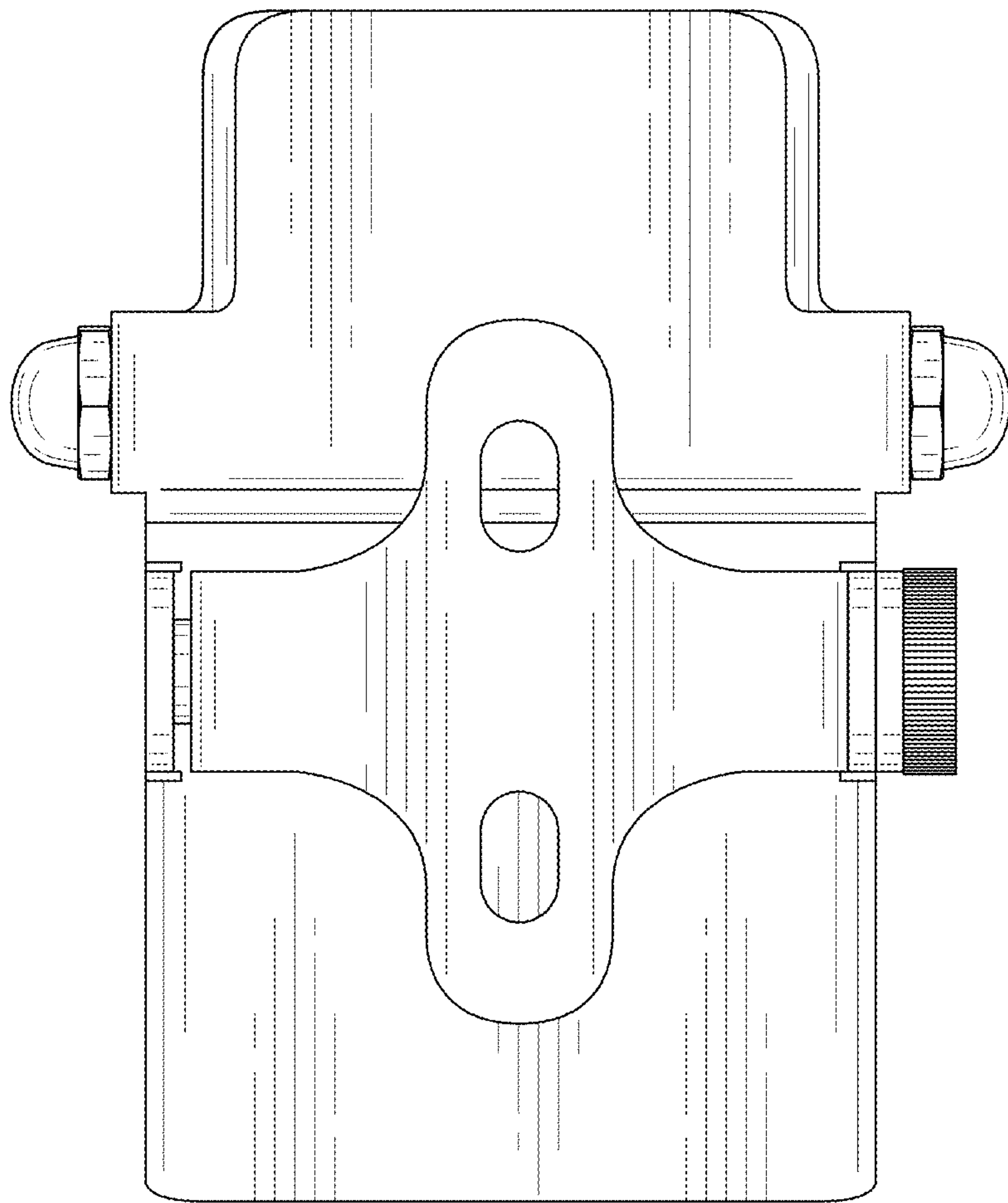


FIG. 8

UNITED STATES PATENT AND TRADEMARK OFFICE
CERTIFICATE OF CORRECTION

PATENT NO. : D810,179 S
APPLICATION NO. : 29/550852
DATED : February 13, 2018
INVENTOR(S) : Dwight David Harms and Timothy Francis Hall

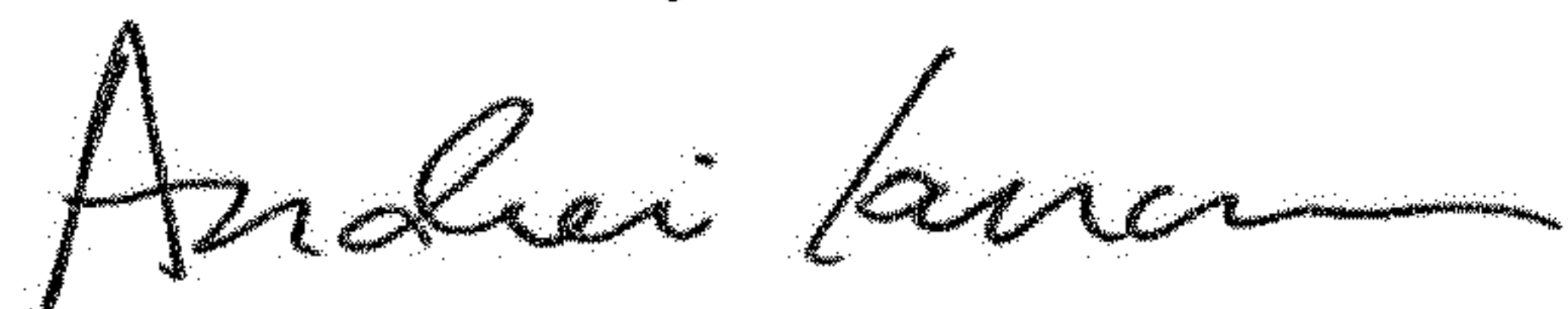
Page 1 of 1

It is certified that error appears in the above-identified patent and that said Letters Patent is hereby corrected as shown below:

On the Title Page

Item [73], delete "TRINITY INNOVATIVE SOLUTIOS, LLC" and insert --TRINITY
INNOVATIVE SOLUTIONS, LLC--

Signed and Sealed this
Twelfth Day of March, 2019



Andrei Iancu
Director of the United States Patent and Trademark Office