



US00D810178S

(12) **United States Design Patent** (10) **Patent No.:** **US D810,178 S**
Miyamoto et al. (45) **Date of Patent:** **** Feb. 13, 2018**

(54) **ATTACHMENT FOR A SMART DEVICE CAMERA**

(71) Applicant: **The Procter & Gamble Company**, Cincinnati, OH (US)

(72) Inventors: **Kukizo Miyamoto**, Ashiya (JP); **Hitomi Nagasawa**, Kobe (JP); **Tanacin Meswad**, Singapore (SG)

(73) Assignee: **The Procter & Gamble Company**, Cincinnati, OH (US)

(**) Term: **15 Years**

(21) Appl. No.: **29/541,056**

(22) Filed: **Sep. 30, 2015**

(30) **Foreign Application Priority Data**

Mar. 31, 2015 (WO) DM/086760

(51) **LOC (11) Cl.** **16-05**

(52) **U.S. Cl.**
USPC **D16/237**

(58) **Field of Classification Search**
USPC D16/134, 136, 200, 204, 208, 213–219, D16/235, 237–250; D14/203, 209, 217, D14/218, 224, 250–253, 345, 440, 449; D8/363, 373, 394
CPC G03B 17/02; G03B 17/04; G03B 17/14; G03B 21/20–21/2066; G03B 15/041–15/0436; G03B 17/56
See application file for complete search history.

(56) **References Cited**

U.S. PATENT DOCUMENTS

4,446,506 A * 5/1984 Larson G03B 15/02 362/17
D342,273 S * 12/1993 Couch D16/237

D373,132 S * 8/1996 Baillie-Hamilton D16/237
D447,760 S * 9/2001 Lantz D16/219
D737,363 S * 8/2015 Russell D16/208
2015/0049202 A1 * 2/2015 Okabe G03B 17/02 348/207.1
2015/0323762 A1 * 11/2015 Sadatsuki G03B 17/02 348/240.3

OTHER PUBLICATIONS

Universal Del Telefono. [online] Published date unknown. Retrieved on Jan. 20, 2017 from <URL: https://es.aliexpress.com/store/product/Universal-Mobile-Phone-Smartphone-Lens-For-iPhone-3D-Mini-Photograph-Stereo-Vision-Camera-Lens-for-Samsung/1081193_32599596438.html>.*

* cited by examiner

Primary Examiner — Vy N Koenig

Assistant Examiner — Omeed Agilee

(74) *Attorney, Agent, or Firm* — John G. Powell; S. Robert Chuey

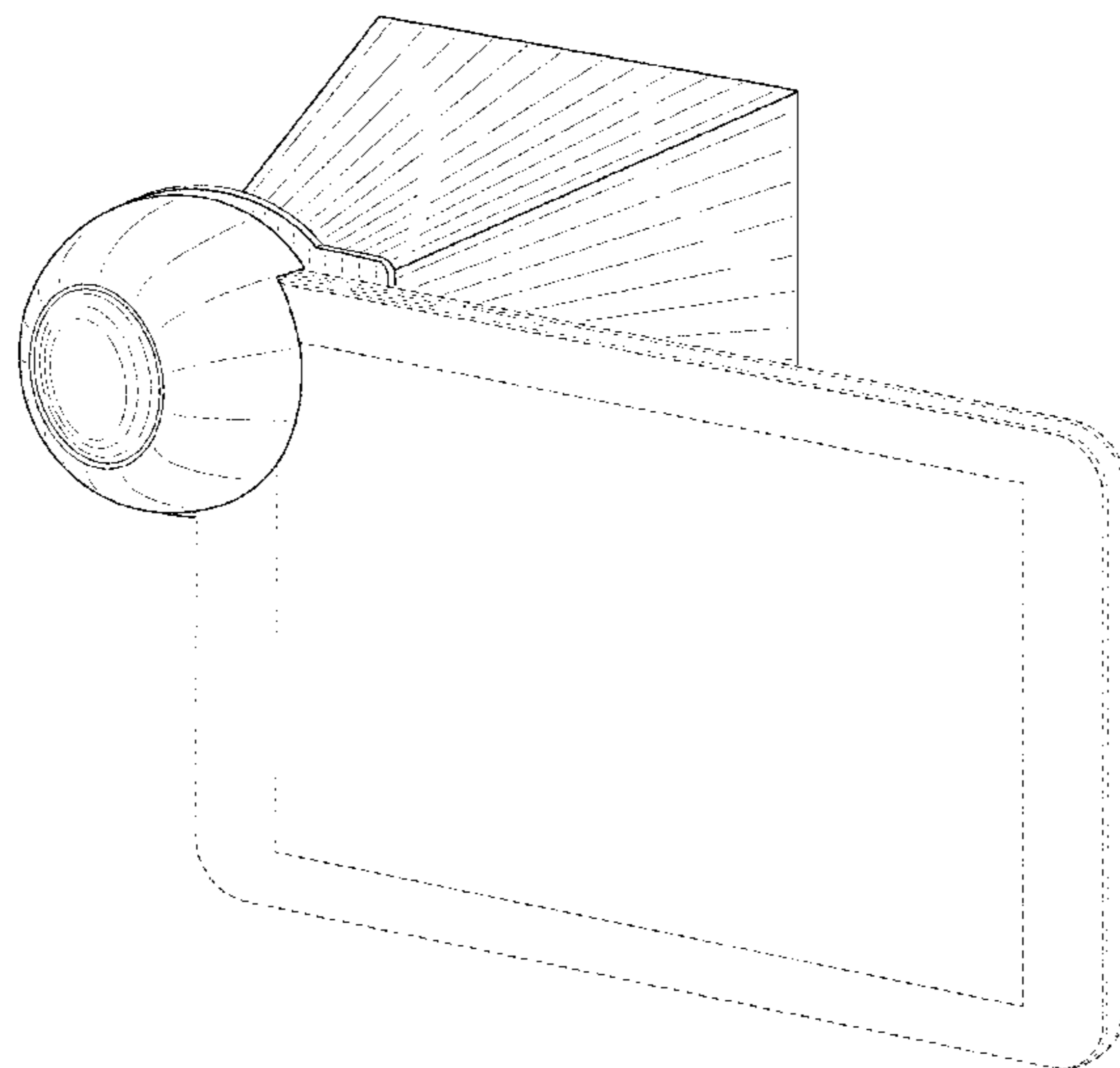
(57) **CLAIM**

The ornamental design for an attachment for a smart device camera, as shown and described.

DESCRIPTION

FIG. 1 is a front, left, and top perspective view of an attachment for a smart device camera showing our new design;
FIG. 2 is a front elevational view thereof;
FIG. 3 is a left side elevational view thereof;
FIG. 4 is a back elevational view thereof;
FIG. 5 is a right side elevational view thereof;
FIG. 6 is a top plan view thereof; and,
FIG. 7 is a bottom plan view thereof.
The broken lines shown in the drawings depict environmental subject matter that form no part of the claimed design.

1 Claim, 4 Drawing Sheets



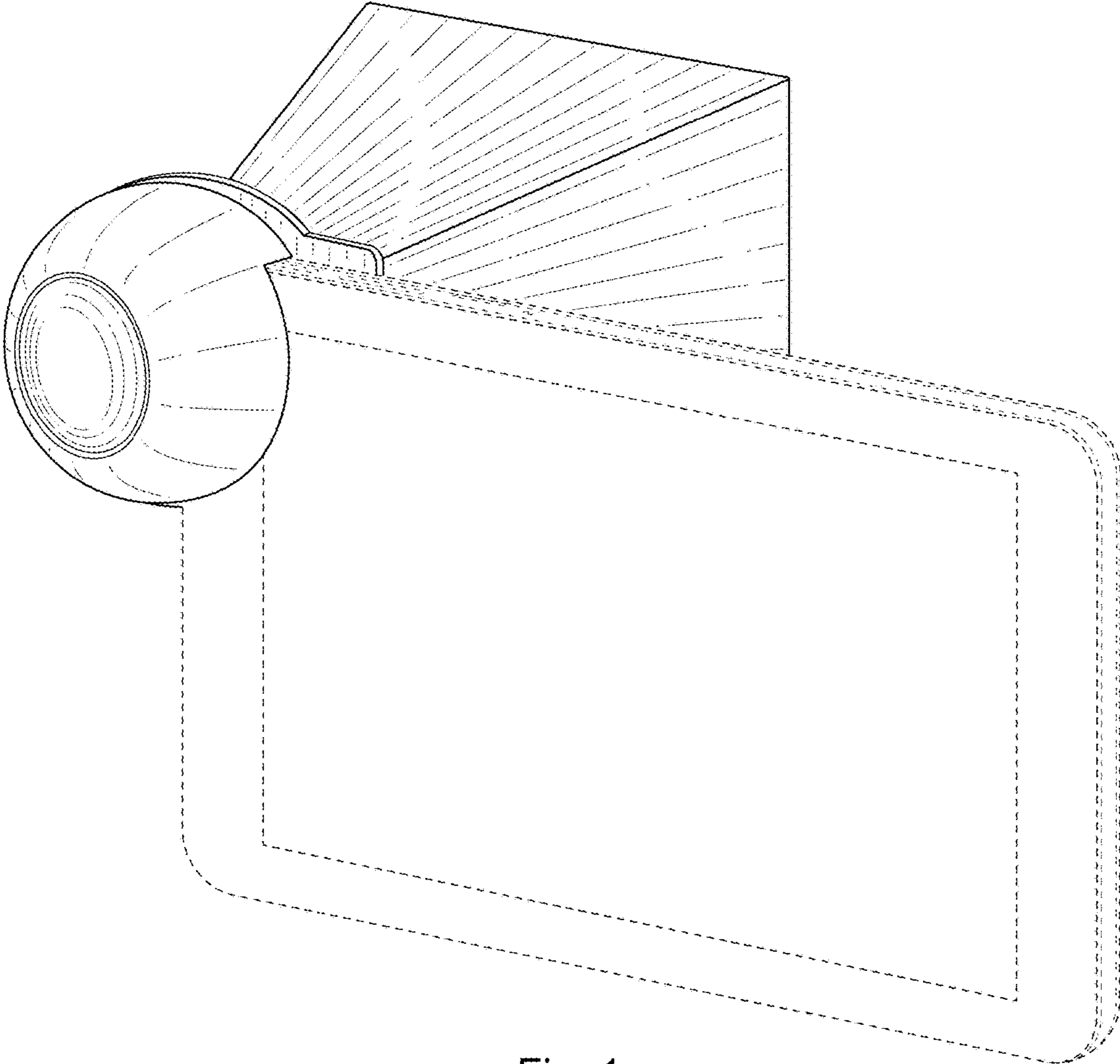


Fig. 1

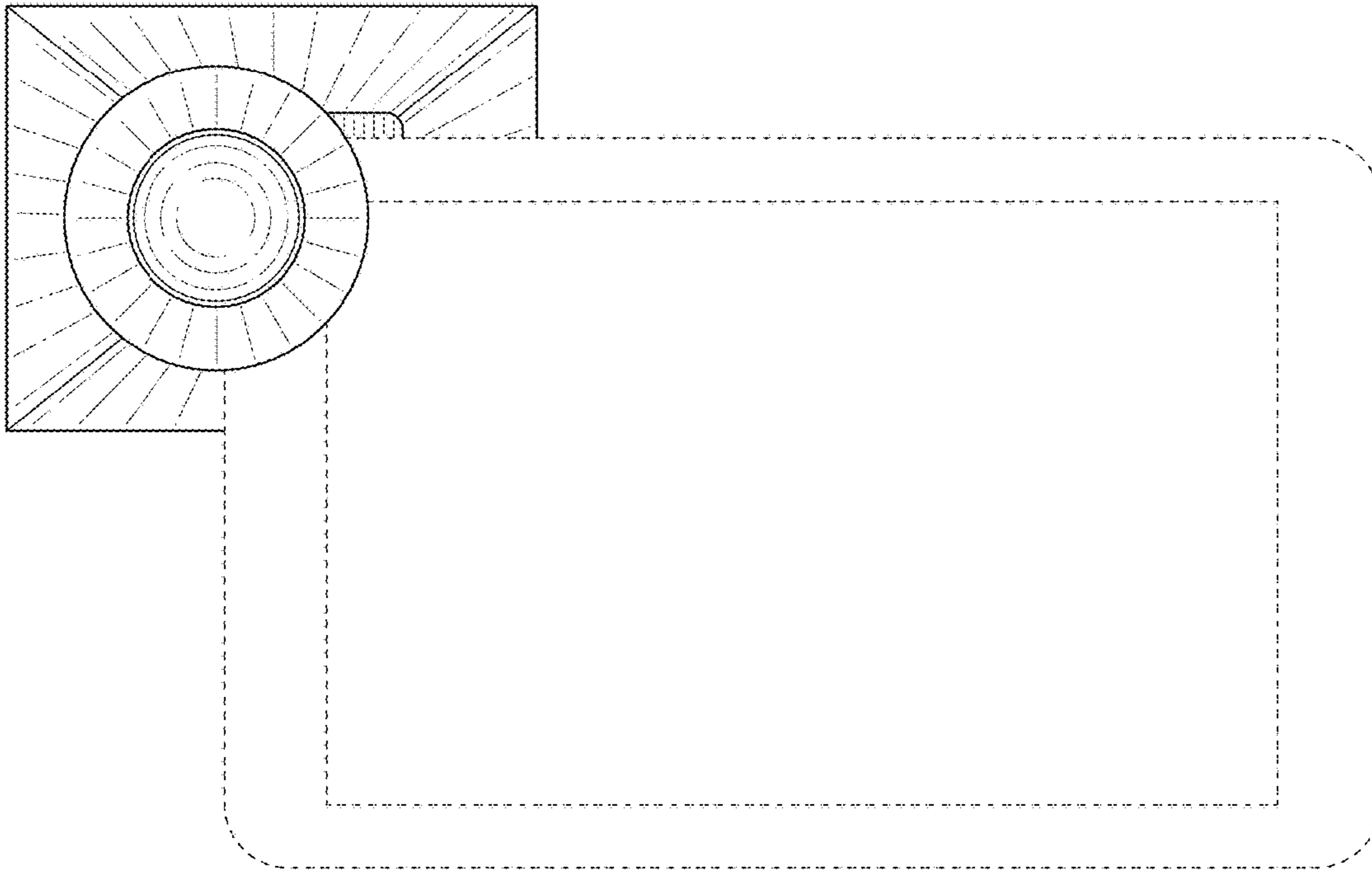


Fig. 2

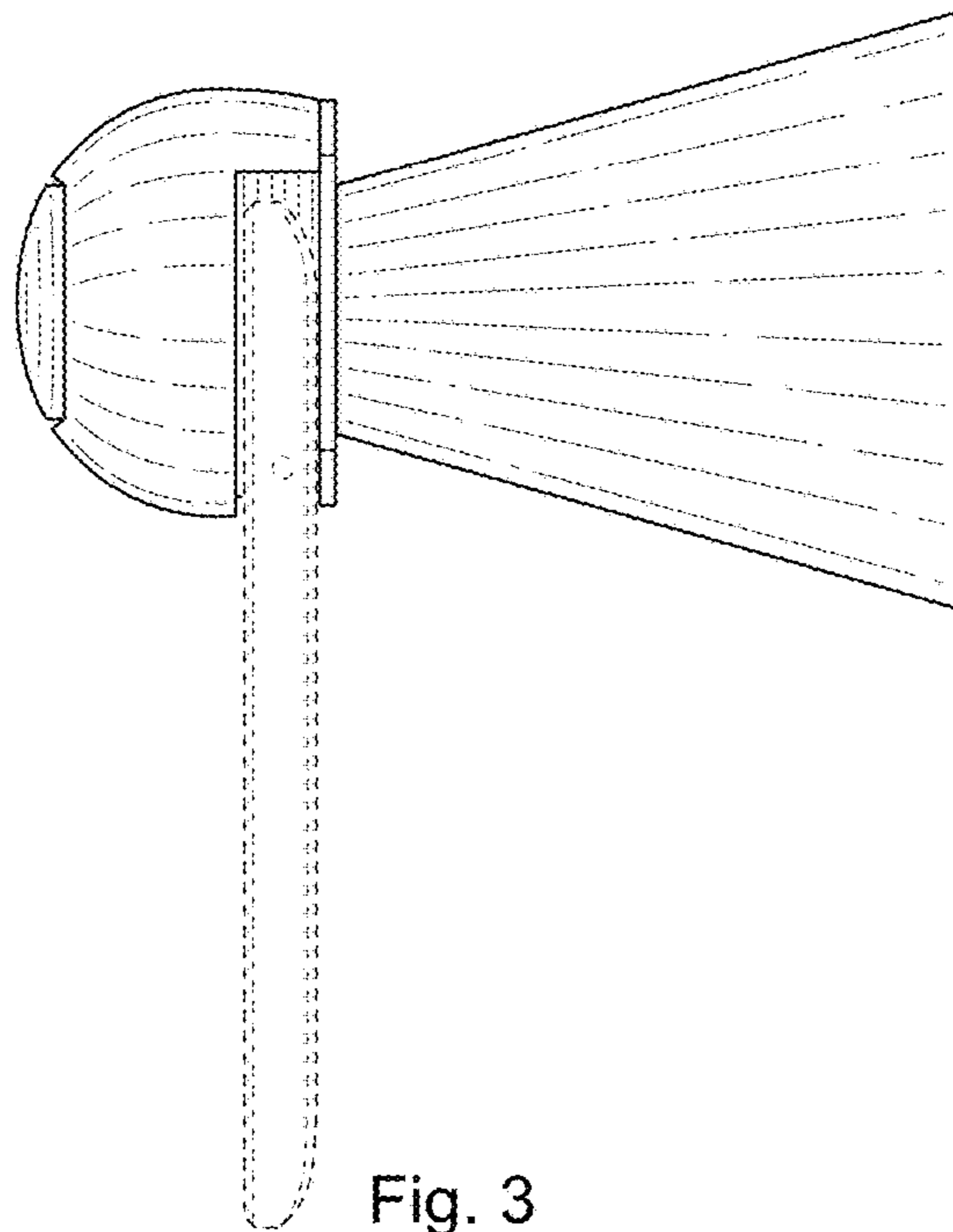


Fig. 3

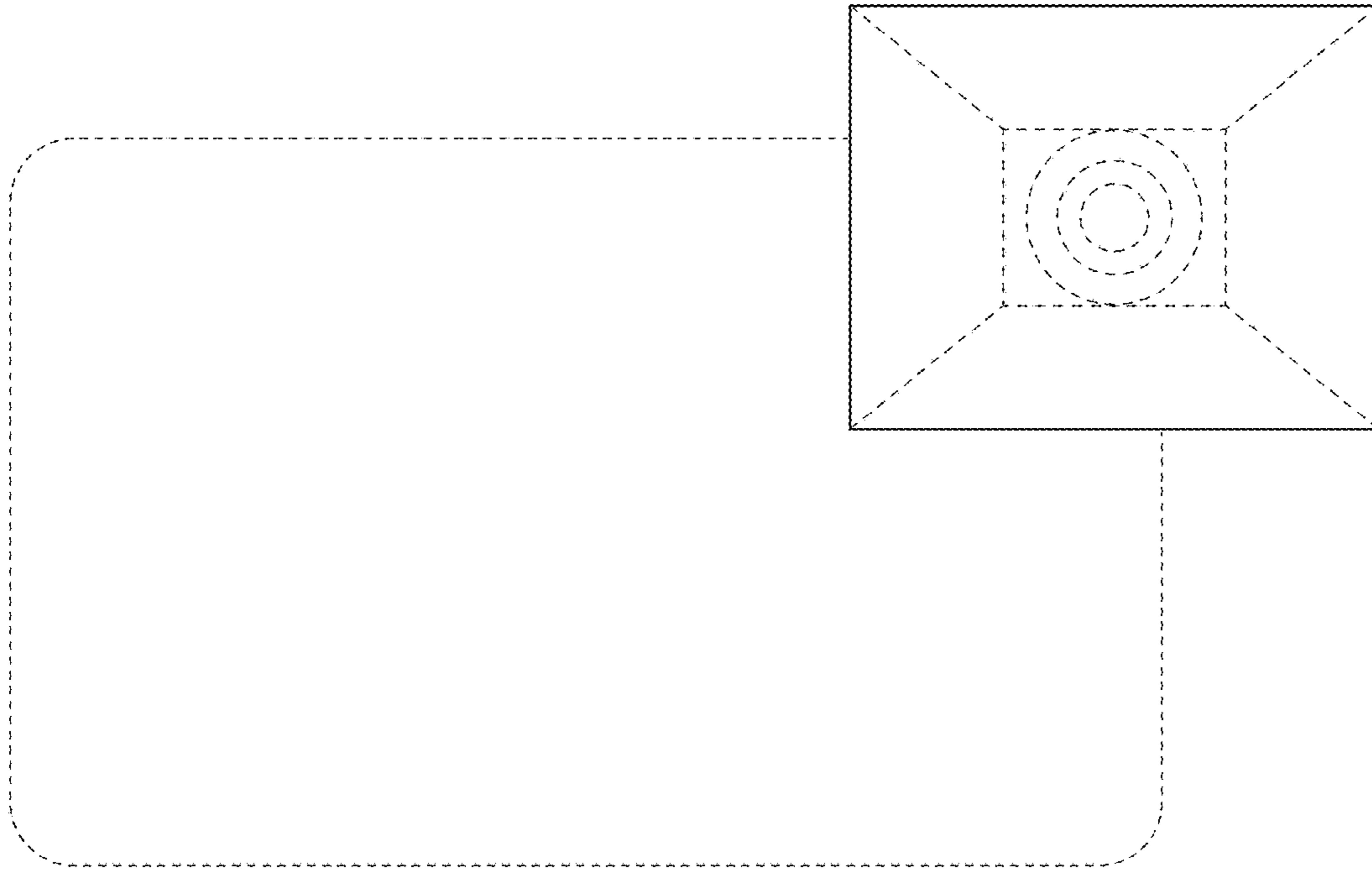


Fig. 4

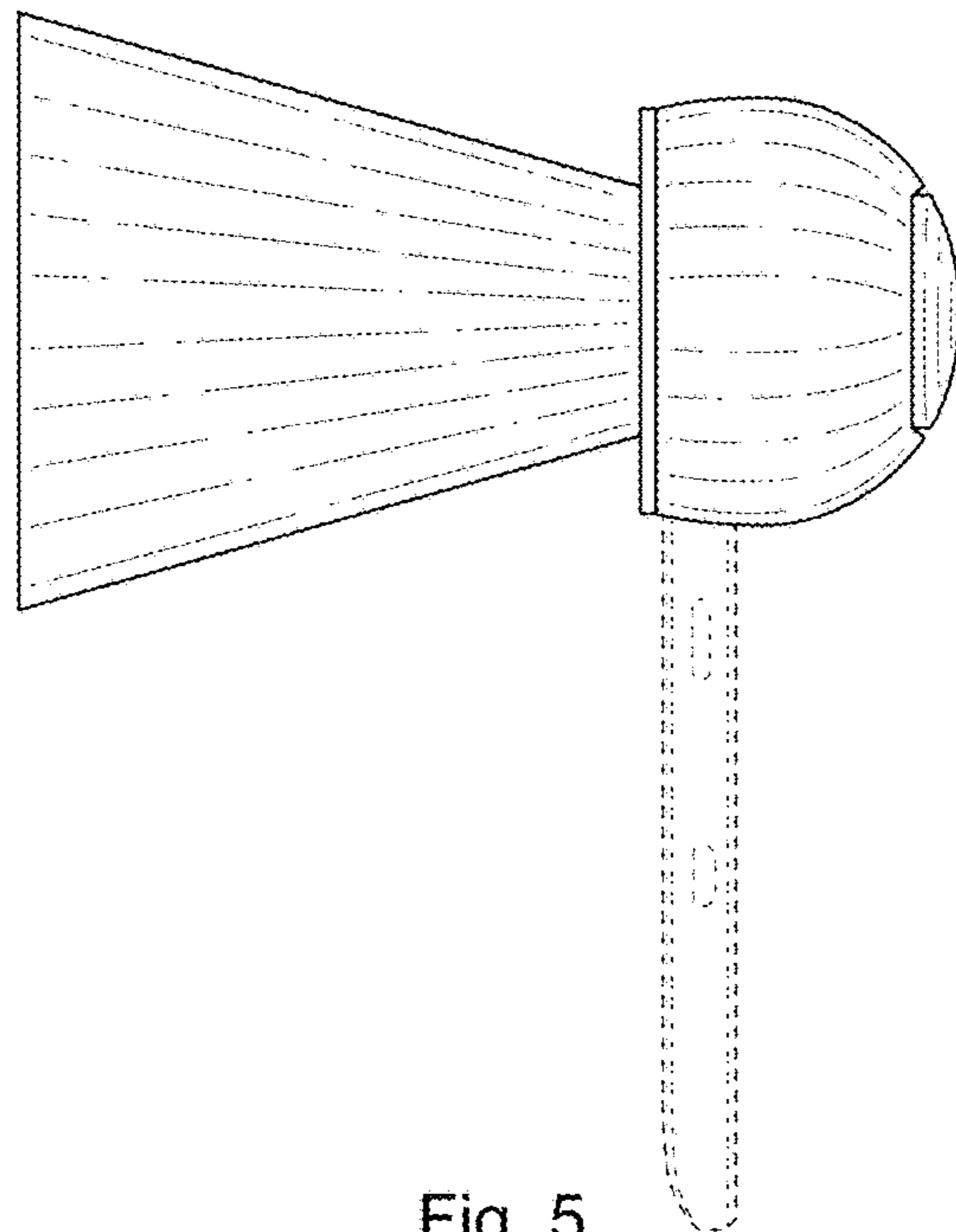


Fig. 5

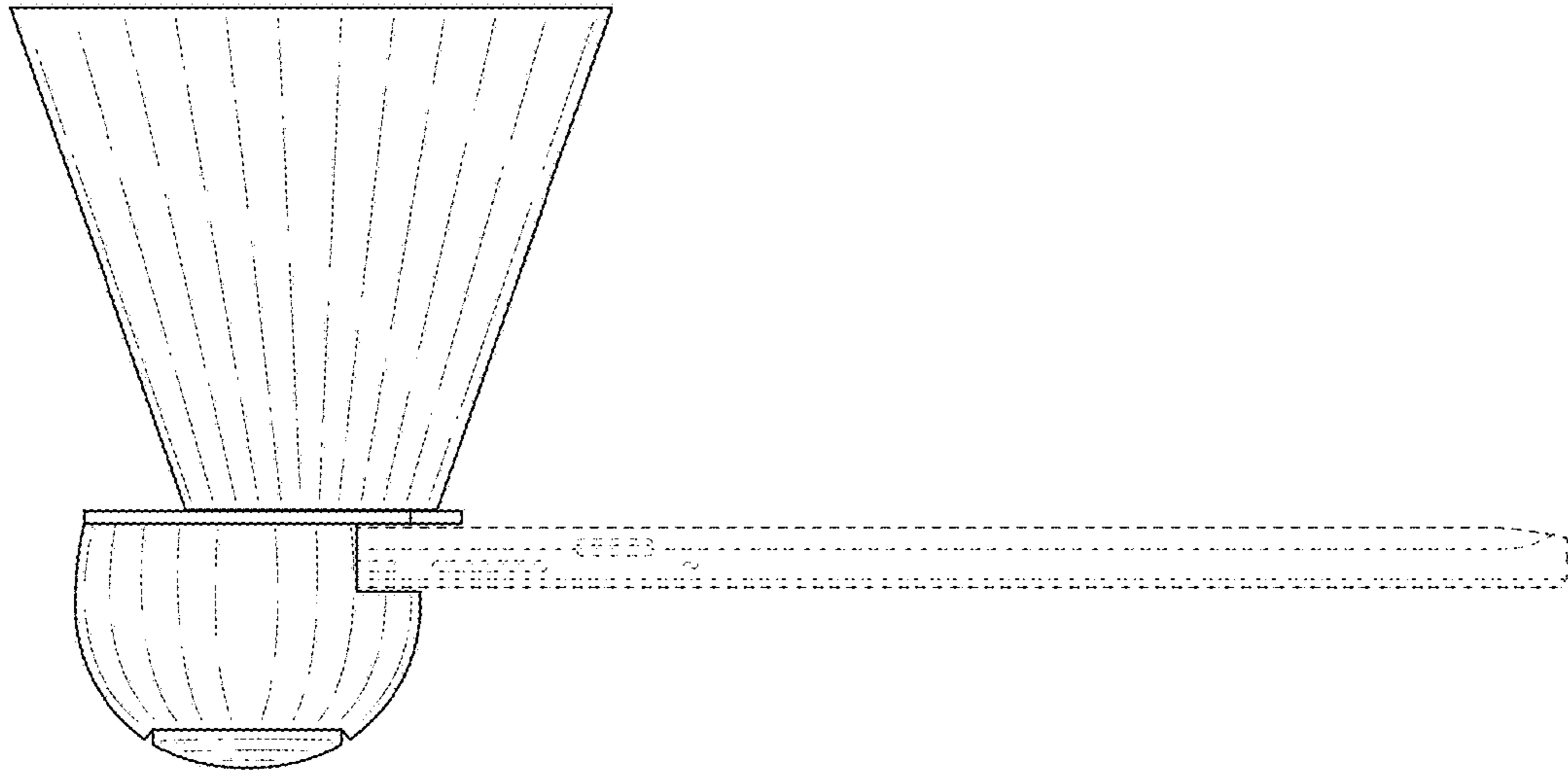


Fig. 6

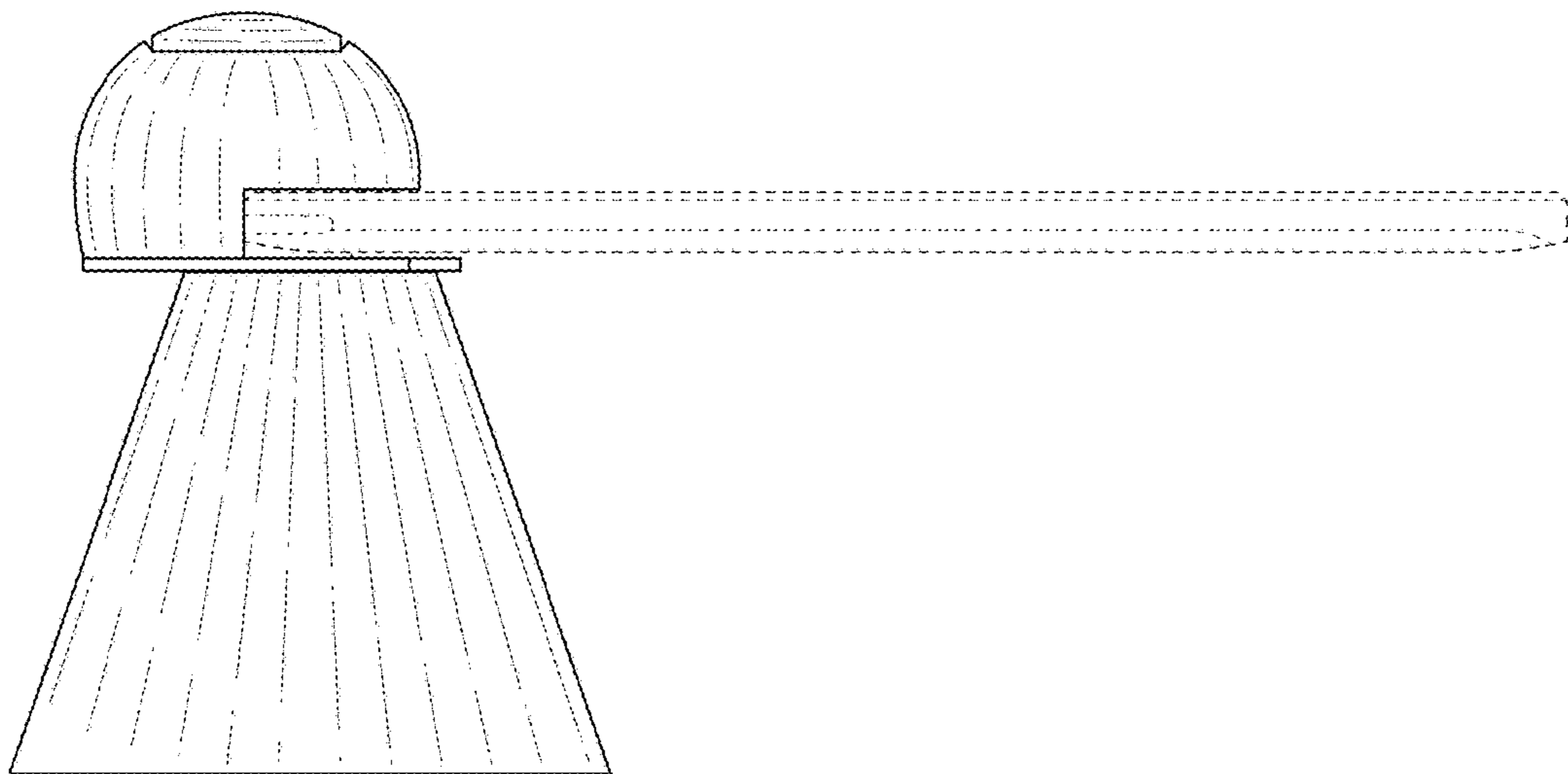


Fig. 7