



US00D810177S

(12) **United States Design Patent** (10) **Patent No.:** **US D810,177 S**
Sugawara et al. (45) **Date of Patent:** **** Feb. 13, 2018**

(54) **PROJECTOR LENS ACCESS COVER**

(56) **References Cited**

(71) Applicant: **SEIKO EPSON CORPORATION**,
Tokyo (JP)

U.S. PATENT DOCUMENTS

(72) Inventors: **Haruki Sugawara**, Chofu (JP); **Hiroshi Tsuchitani**, Shiojiri (JP); **Kiyotaka Nakano**, Azumino (JP); **Takeshi Maruta**, Azumino (JP)

D307,030 S *	4/1990	Kyhl	D16/232
D317,446 S *	6/1991	Vossoughi	D14/374
D320,403 S *	10/1991	Flasck	D14/132
D333,829 S *	3/1993	Nash	D16/235
D390,861 S *	2/1998	Liao	D14/424
D608,380 S *	1/2010	Nagase	D16/229
D767,662 S *	9/2016	Lee	D16/225
D779,483 S *	2/2017	Wall	D14/341

(73) Assignee: **SEIKO EPSON CORPORATION**,
Tokyo (JP)

* cited by examiner

(**) Term: **15 Years**

Primary Examiner — Wan Laymon
Assistant Examiner — Clint A Samuel

(21) Appl. No.: **29/571,564**

(57) **CLAIM**

The ornamental design for a projector lens access cover, as shown and described.

(22) Filed: **Jul. 19, 2016**

DESCRIPTION

(30) **Foreign Application Priority Data**

Jan. 20, 2016 (JP) 2016-000939

(51) **LOC (11) Cl.** **16-02**

(52) **U.S. Cl.**
USPC **D16/235**; D16/225

(58) **Field of Classification Search**
USPC D16/134, 136, 208, 221–236, 240, 250;
D14/217; 353/100, 101, 119, 122, DIG. 6
CPC G03B 21/00; G03B 21/20; G03B 21/54;
G03B 21/145; G03B 21/2066; G03B
3/00; G03B 5/00
See application file for complete search history.

FIG. 1 is a front, top and right side perspective view of a projector lens access cover showing our new design;
FIG. 2 is a rear, bottom and left side perspective view thereof;
FIG. 3 is a front view thereof;
FIG. 4 is a rear view thereof;
FIG. 5 is a top plan view thereof;
FIG. 6 is a bottom plan view thereof;
FIG. 7 is a right side view thereof; and,
FIG. 8 is a left side view thereof.
The broken lines illustrate portions of the projector lens access cover and form no part of the claimed design.

1 Claim, 8 Drawing Sheets

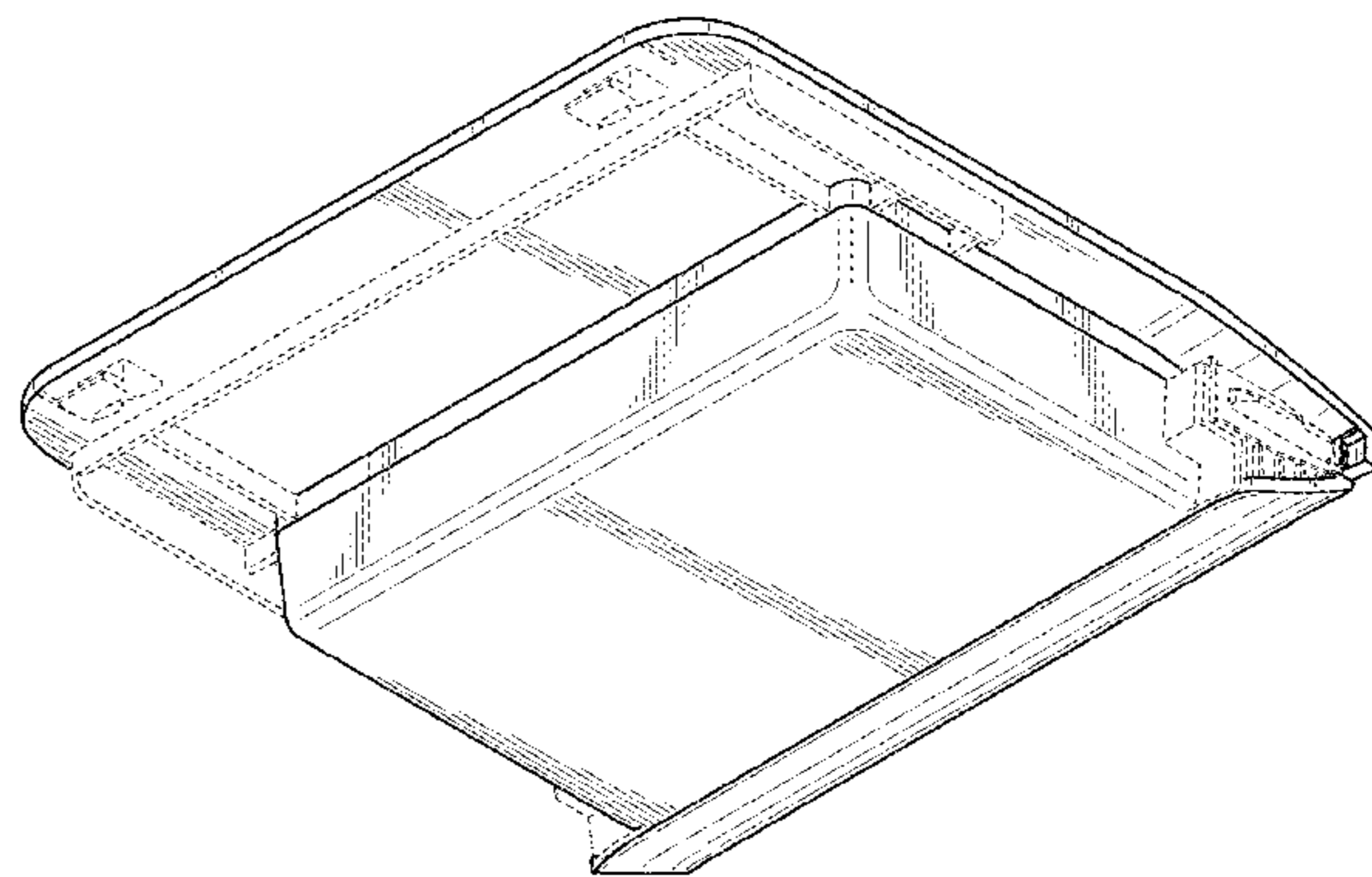
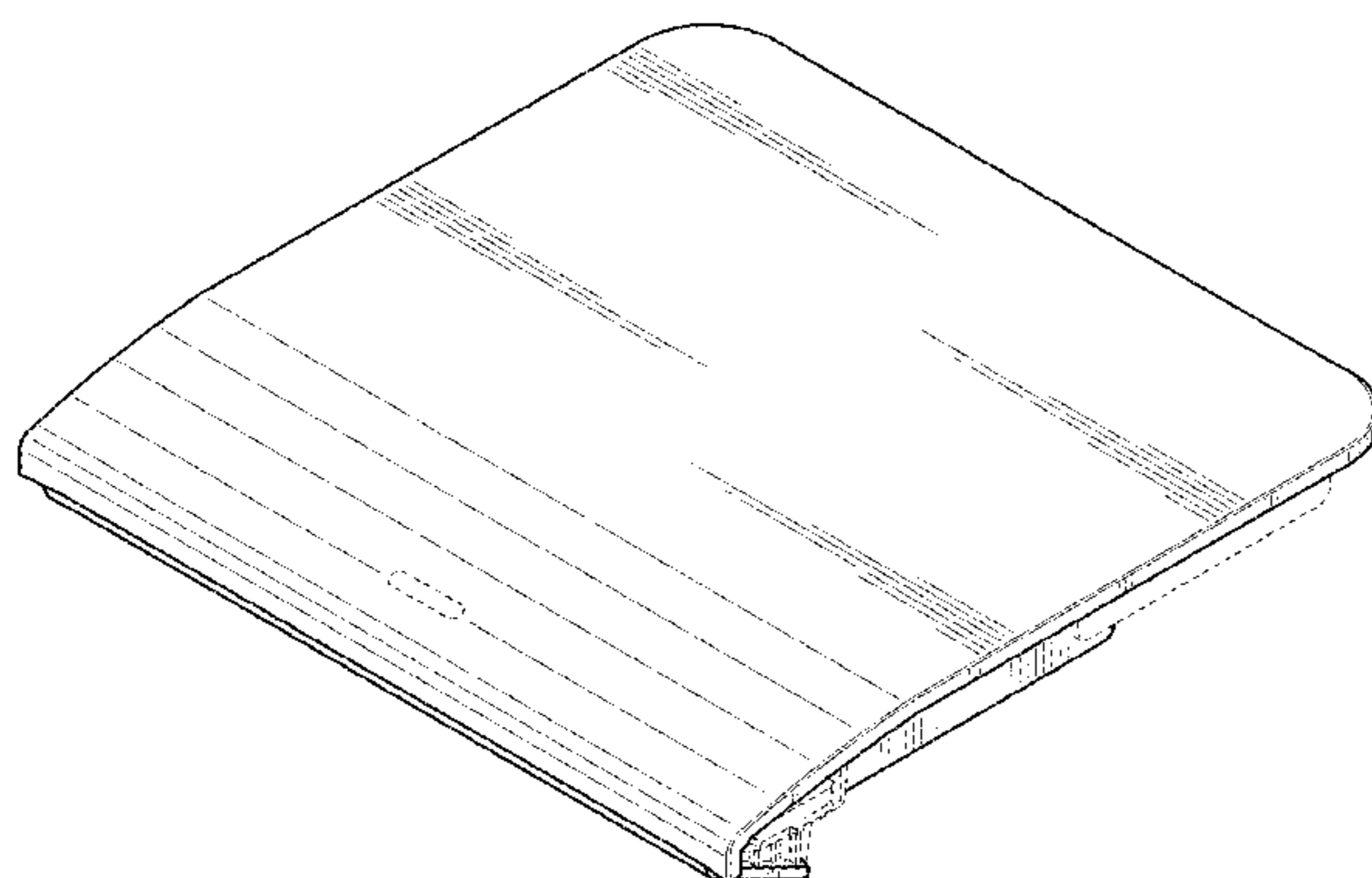


FIG. 1

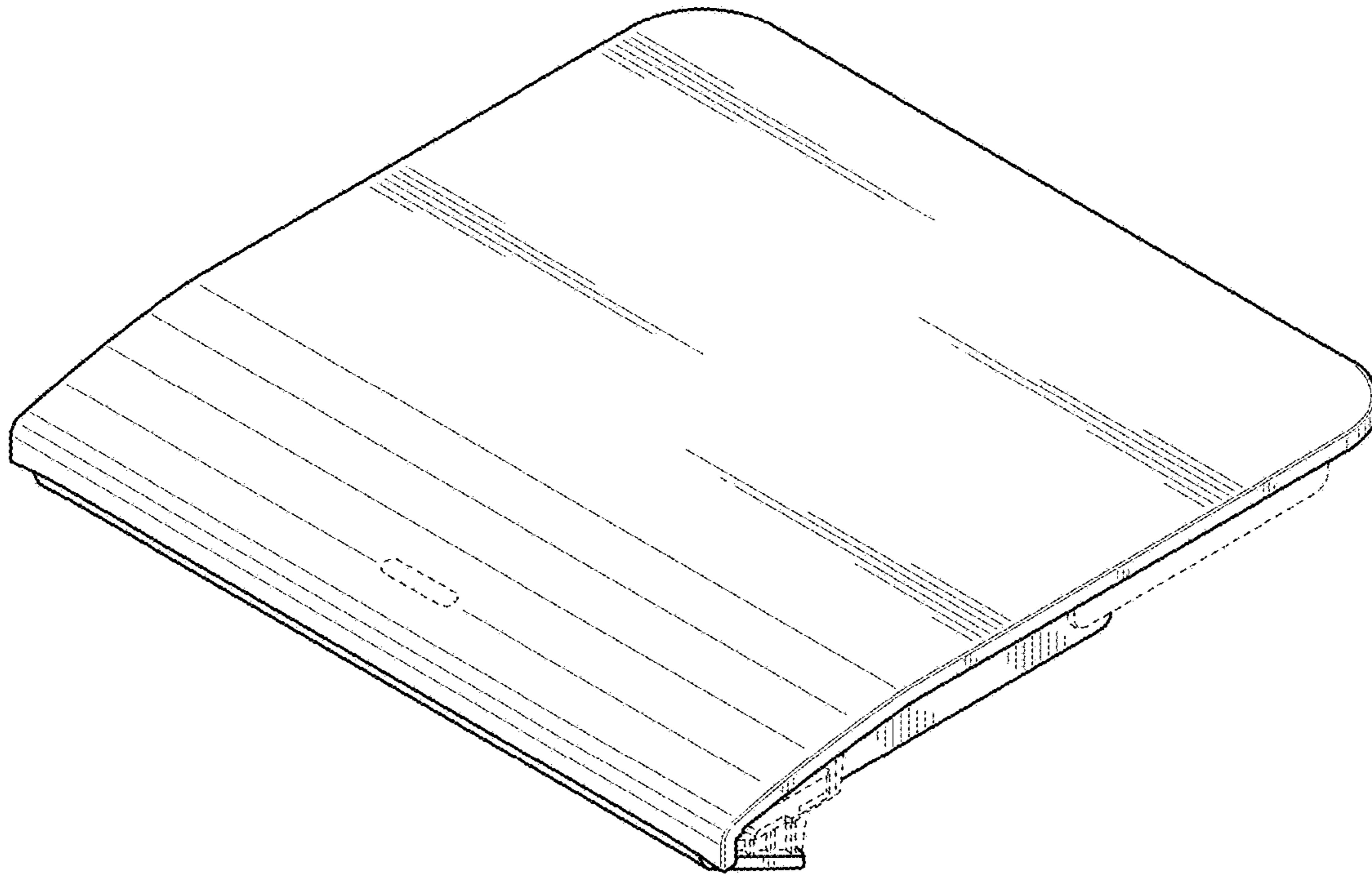


FIG. 2

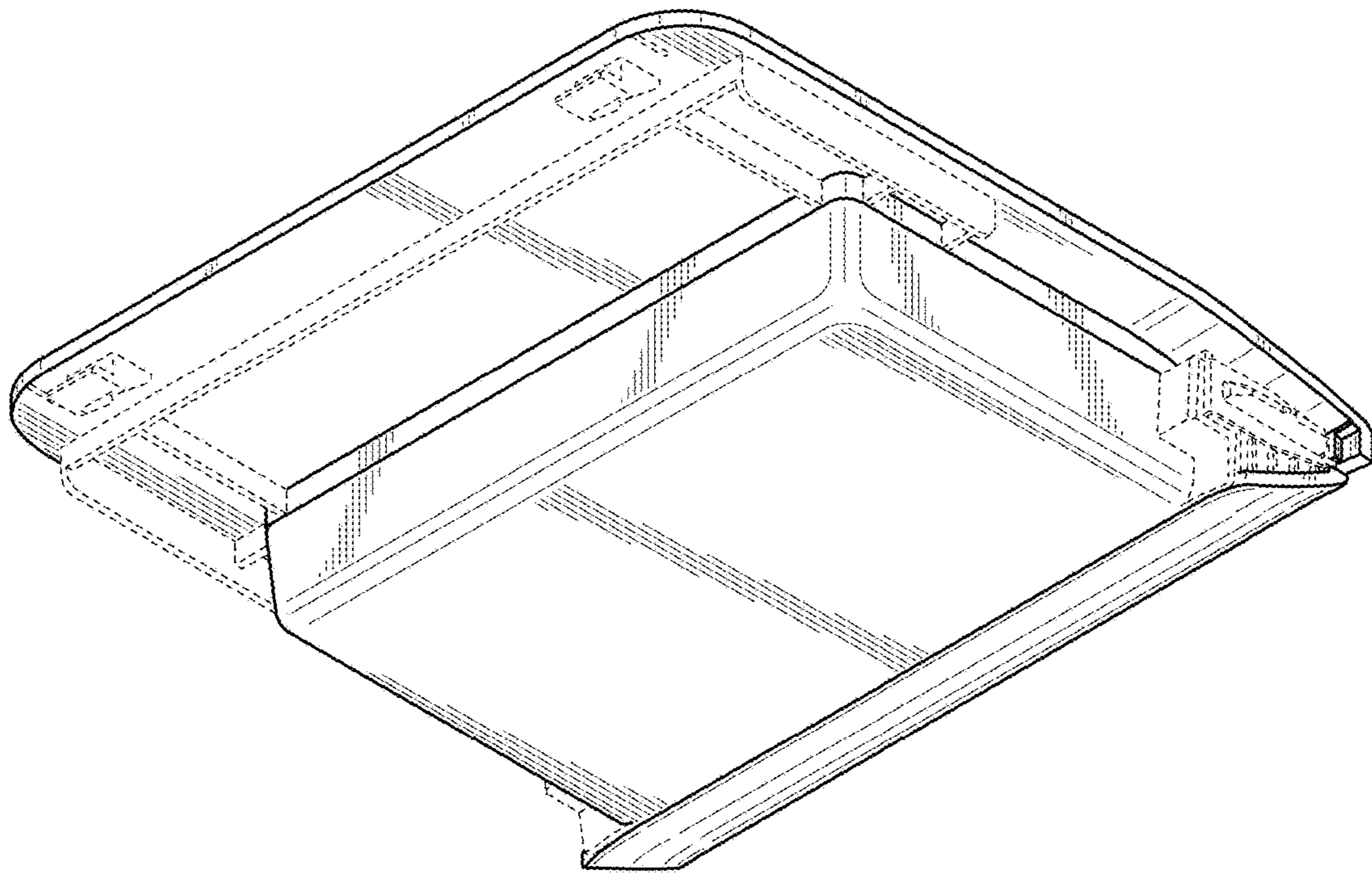


FIG. 3

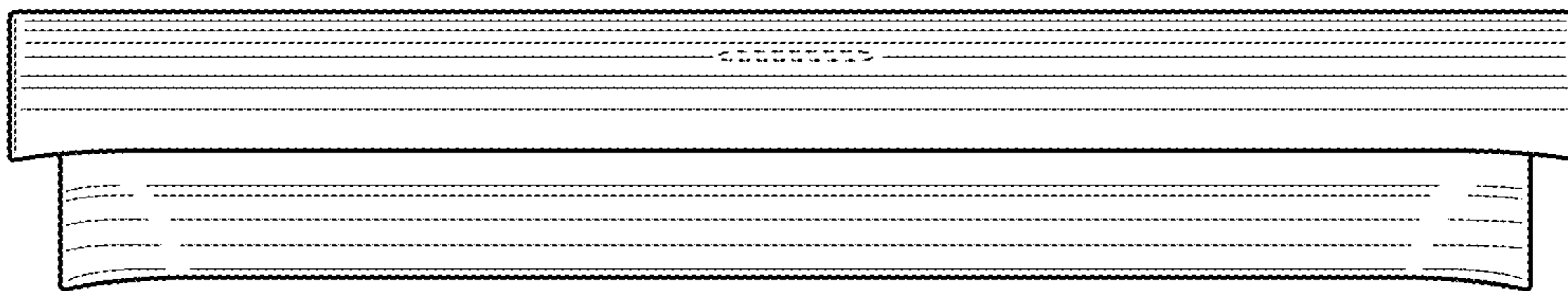


FIG. 4

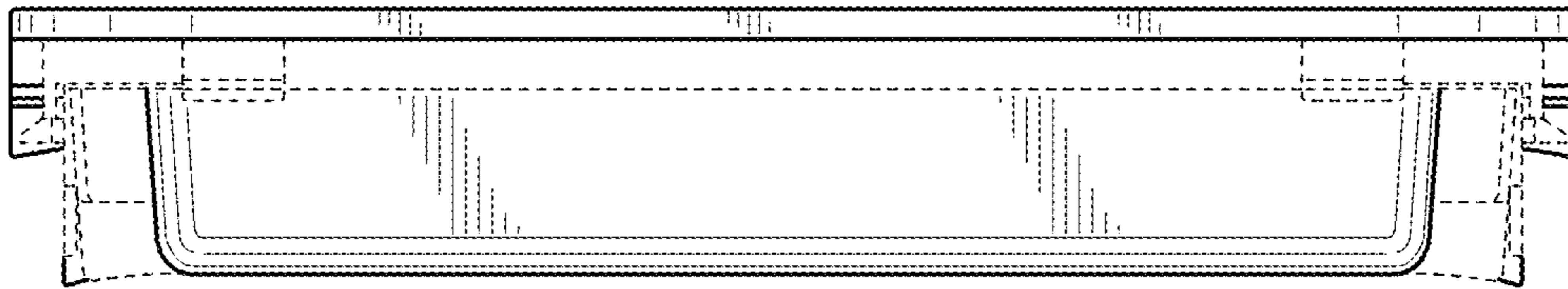


FIG. 5

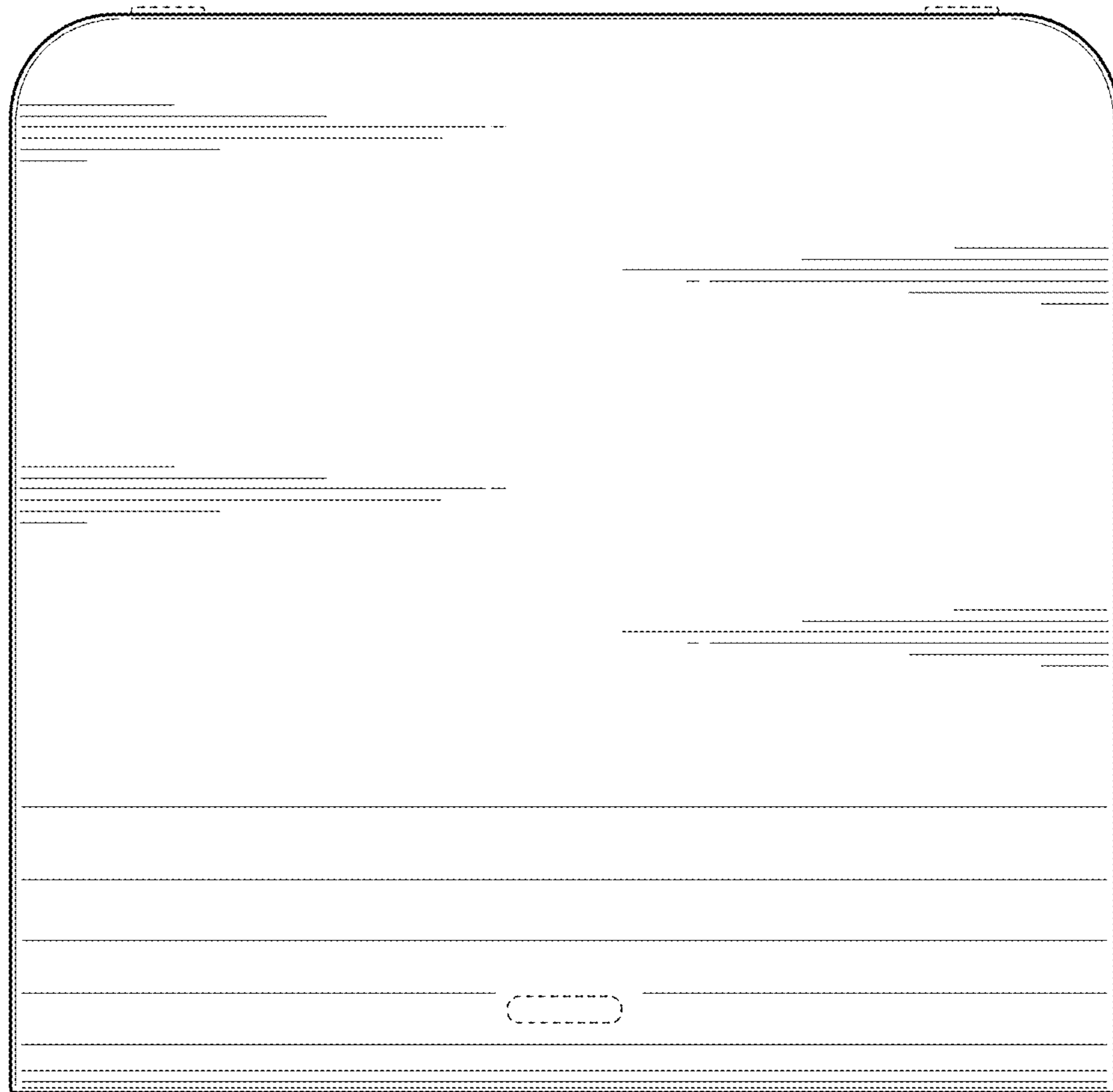


FIG. 6

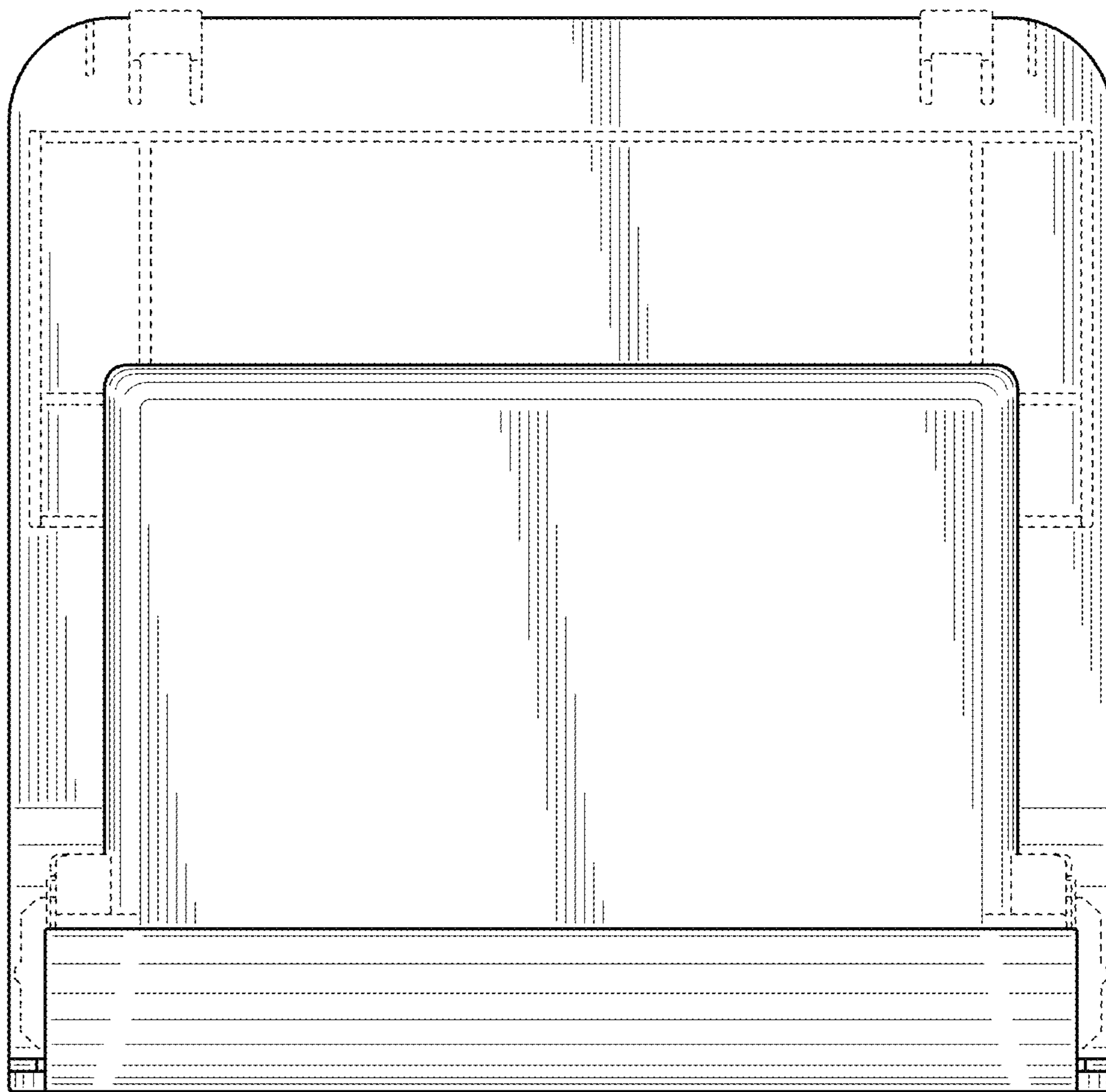


FIG. 7

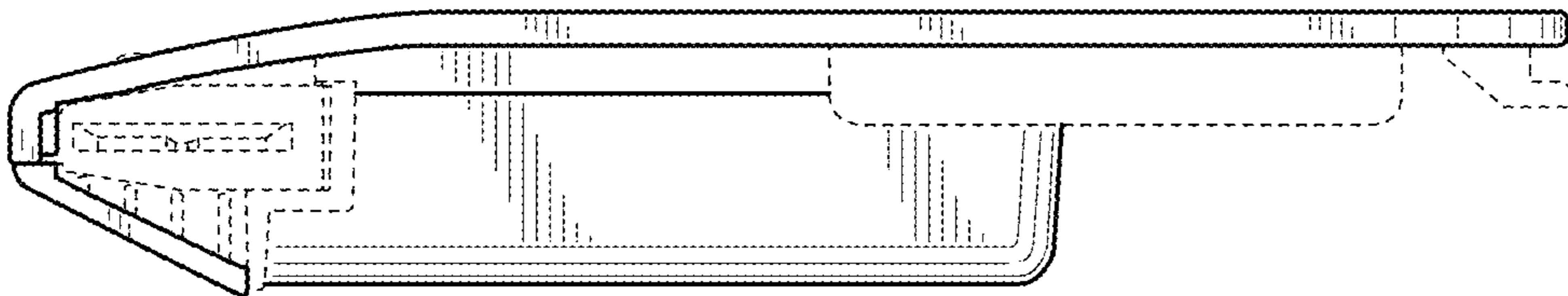


FIG. 8

