



US00D810176S

(12) **United States Design Patent**
Zheng et al.

(10) **Patent No.:** **US D810,176 S**
(45) **Date of Patent:** **** Feb. 13, 2018**

(54) **HANDLE COMPONENT**

(71) Applicant: **SZ DJI Osmo Technology Co., Ltd.**,
Shenzhen (CN)

(72) Inventors: **Haibin Zheng**, Shenzhen (CN); **Min Kim**, Shenzhen (CN)

(73) Assignee: **SZ DJI Osmo Technology Co., Ltd.**,
Shenzhen (CN)

(**) Term: **15 Years**

(21) Appl. No.: **29/588,371**

(22) Filed: **Dec. 20, 2016**

Related U.S. Application Data

(63) Continuation of application No. 29/561,458, filed on
Apr. 15, 2016.

(51) **LOC (11) Cl.** **16-01**

(52) **U.S. Cl.**
USPC **D16/219**

(58) **Field of Classification Search**

USPC D14/124, 125, 126, 129, 133, 314, 317,
D14/336, 348-351, 356, 420; D16/131,
D16/135, 136, 200, 201, 202, 203,
D16/205-221, 225, 232, 235, 241

CPC G03B 15/03; G03B 17/04; G03B 17/56;
G03B 19/04; H04N 5/2251-5/2254

See application file for complete search history.

(56) **References Cited**

U.S. PATENT DOCUMENTS

4,864,335 A * 9/1989 Corrales G03B 37/02
352/69
D375,319 S * 11/1996 Johnson 248/160
D447,159 S * 8/2001 Yoneda D16/131
D454,145 S * 3/2002 Huang D16/134
D457,542 S * 5/2002 Peterson D16/136
D483,386 S * 12/2003 Narducci D16/202

D506,216 S * 6/2005 Langlois D16/221
D535,393 S * 1/2007 Pilvisto D16/202
D536,011 S * 1/2007 Dayan D14/129
D569,887 S * 5/2008 Feng D16/202
D590,867 S * 4/2009 Schenone D16/206
D601,606 S * 10/2009 Pradhan D16/206
D662,957 S * 7/2012 Stubel D16/135
D710,424 S * 8/2014 Hallgren D16/206

(Continued)

OTHER PUBLICATIONS

DJI Osmo review: A handheld stabilized camera worthy of its price,
posted at Engadget.com, posting date Oct. 31, 2015, [online], [site
visited Jun. 30, 2017]. Available from Internet, <URL: <https://www.engadget.com/2015/10/31/djiosmoreview/>>.*

Primary Examiner — Susan E Krakower

Assistant Examiner — Lisa A Grabenstetter

(74) *Attorney, Agent, or Firm* — Sterne, Kessler,
Goldstein & Fox P.L.L.C.

(57) **CLAIM**

The ornamental design for a handle component, as shown
and described.

DESCRIPTION

FIG. 1 is a top front perspective view of a handle component
showing the claimed design;

FIG. 2 is a bottom rear perspective view thereof;

FIG. 3 is a front view thereof;

FIG. 4 is a rear view thereof;

FIG. 5 is a left side view thereof;

FIG. 6 is a right side view thereof;

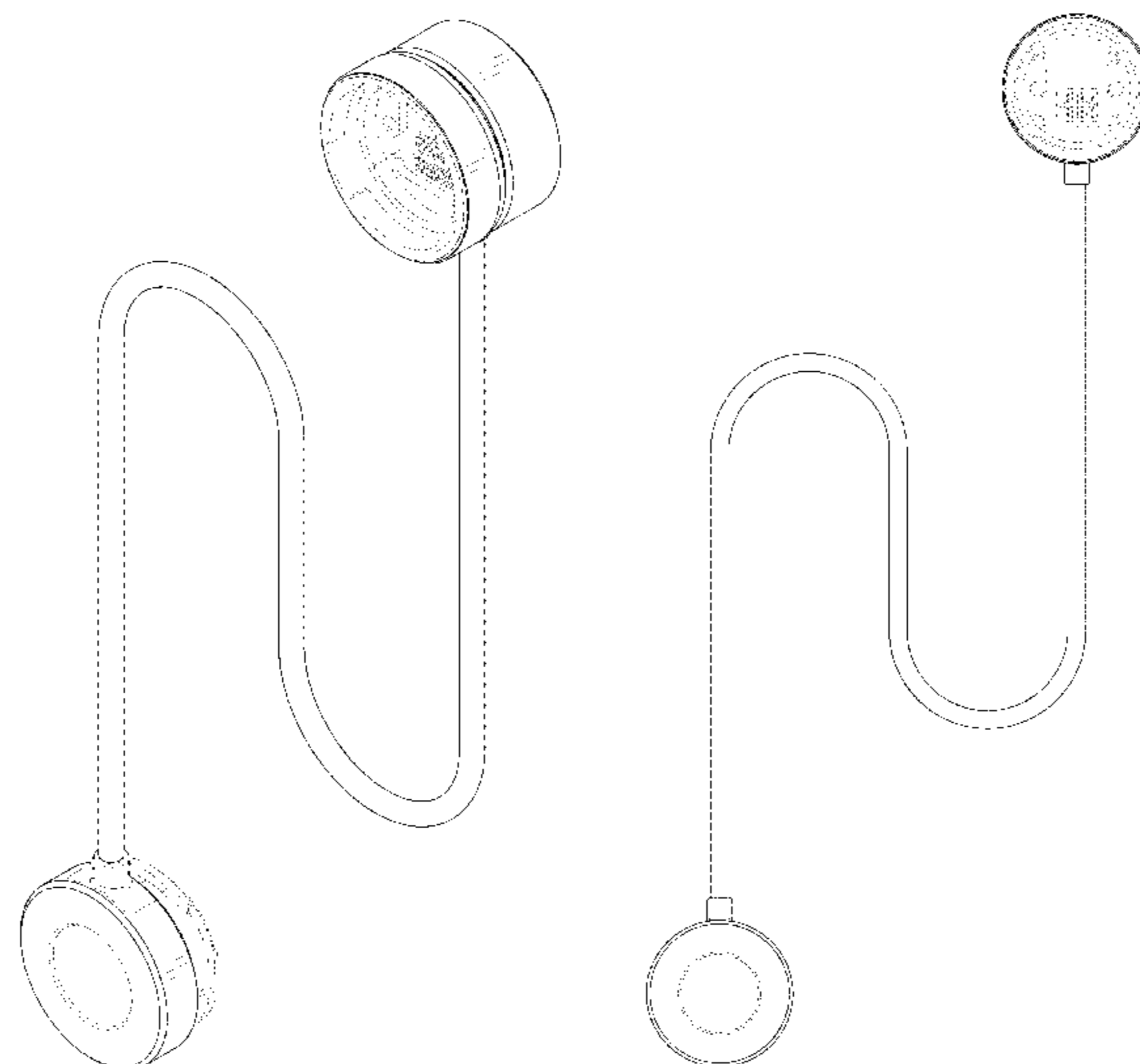
FIG. 7 is a top view thereof; and,

FIG. 8 is a bottom view thereof.

The dashed broken lines in the figures show portions of the
handle component that form no part of the claimed design.

The dot-dash broken lines in the figures show boundaries
that form no part of the claimed design.

1 Claim, 6 Drawing Sheets



(56)

References Cited

U.S. PATENT DOCUMENTS

D726,798	S *	4/2015	Neufeld	D16/203
D728,655	S *	5/2015	Daniel	D16/203
D733,783	S *	7/2015	Wu	D16/206
D736,293	S *	8/2015	Schmidt	D16/203
D736,845	S *	8/2015	Yilin	D16/203
D741,390	S *	10/2015	Mayeur	D16/206
D747,381	S *	1/2016	Schmidt	D16/203
D757,838	S *	5/2016	Laho	D16/206
D760,829	S *	7/2016	Pacurariu	D16/202
D761,420	S *	7/2016	Hayamizu	D24/129
2003/0227563	A1 *	12/2003	Ting	H04N 5/2252 348/375
2006/0072033	A1 *	4/2006	Oran	H04N 5/2251 348/376

* cited by examiner

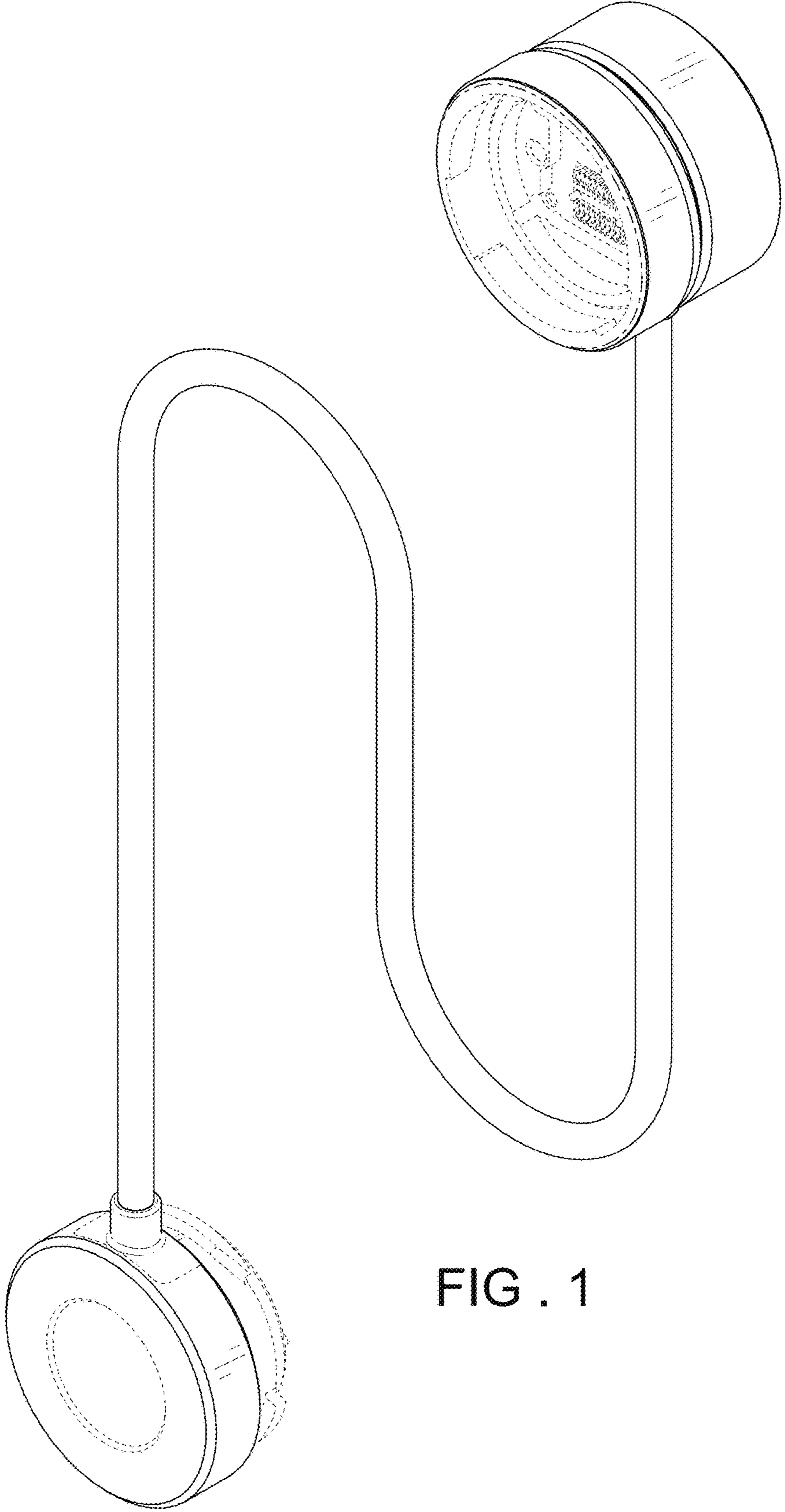


FIG . 1

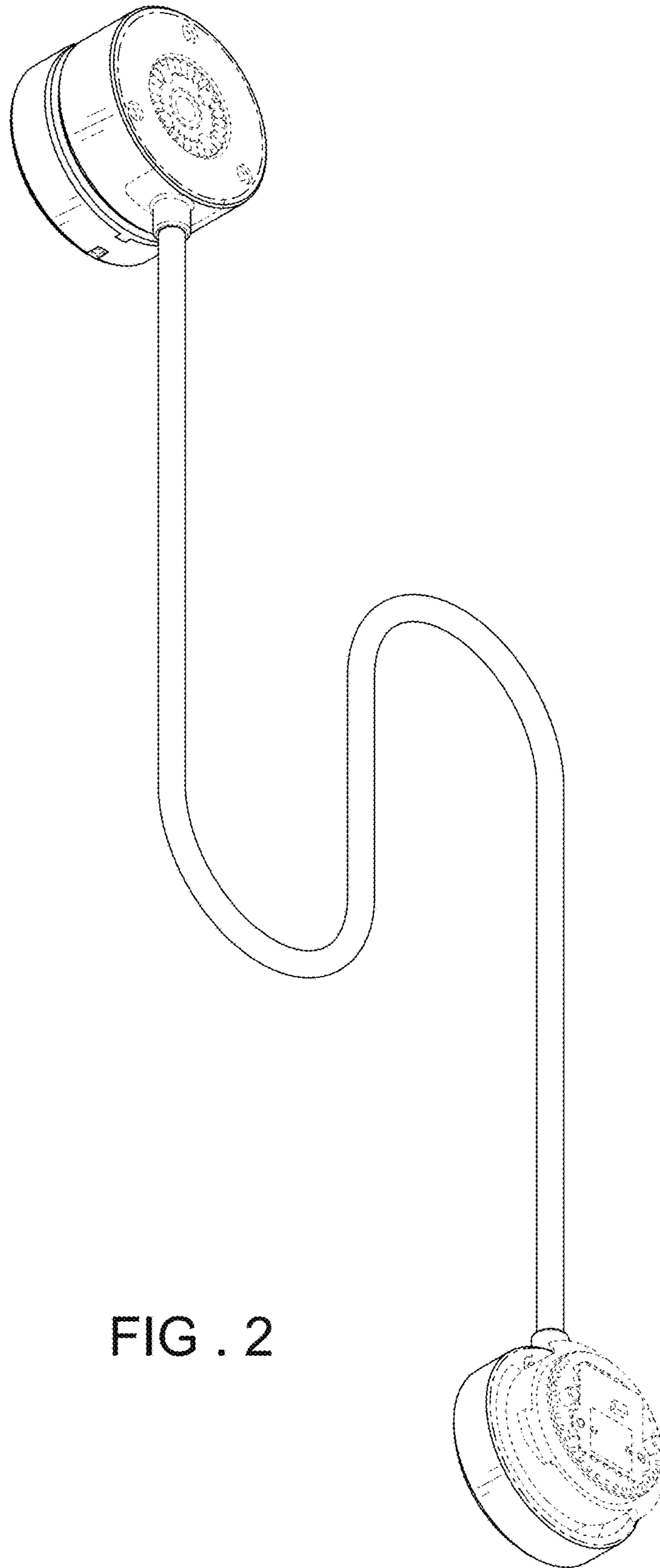


FIG . 2

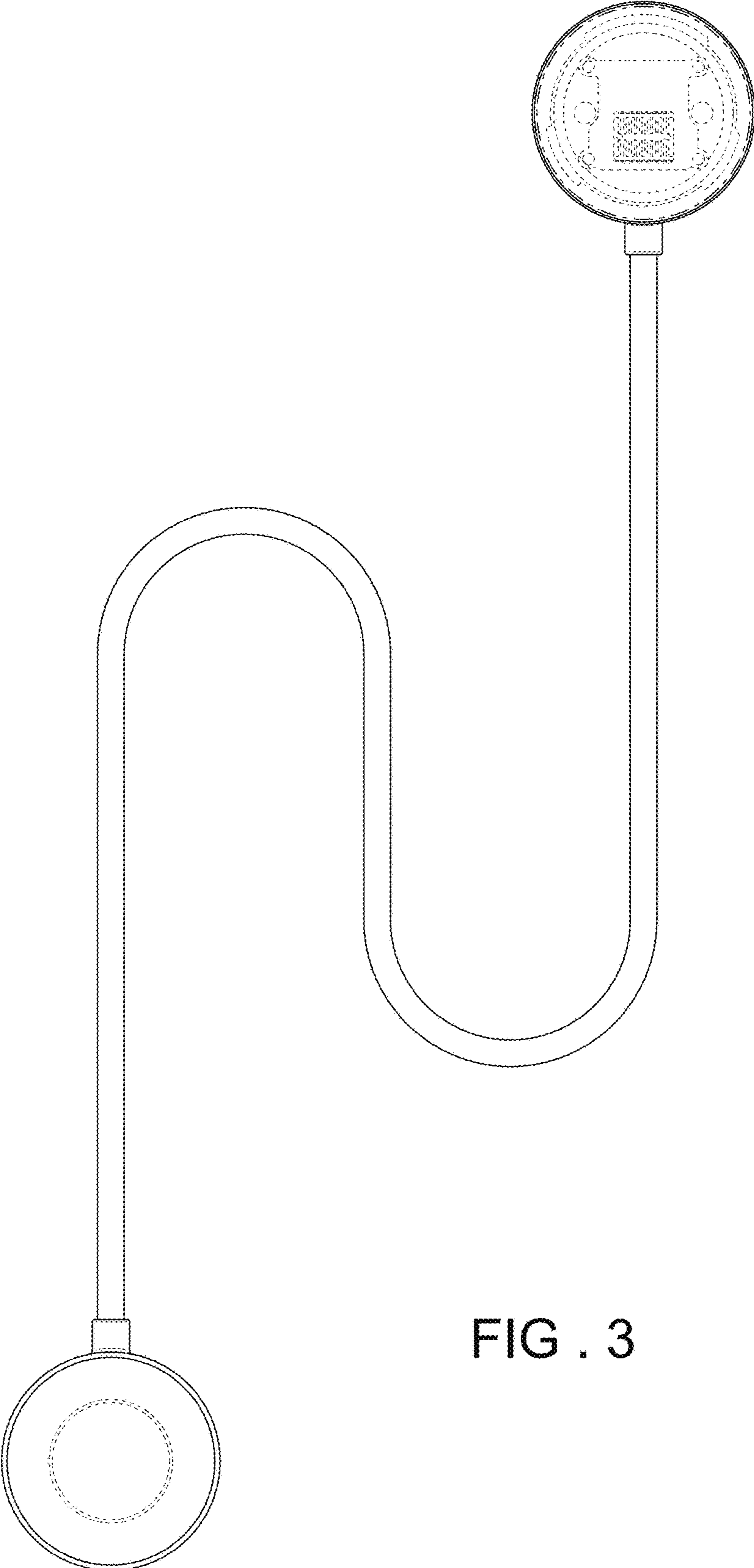


FIG . 3

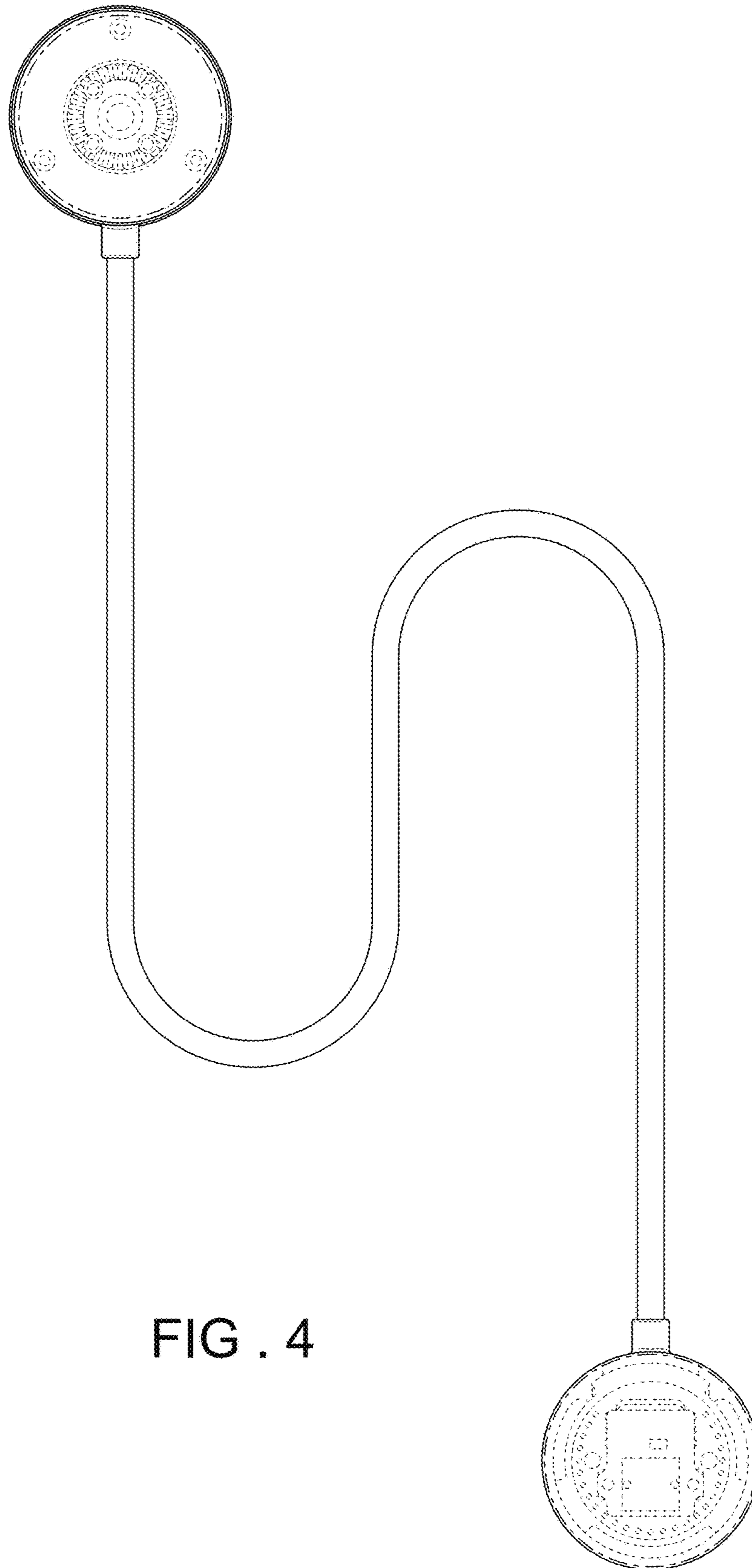


FIG . 4

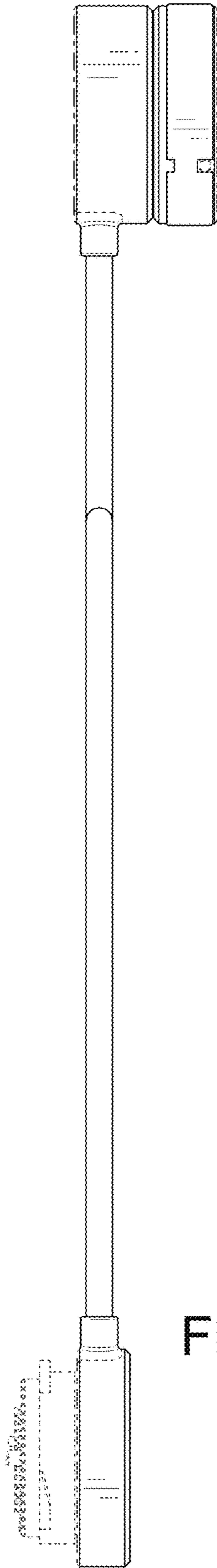


FIG. 5

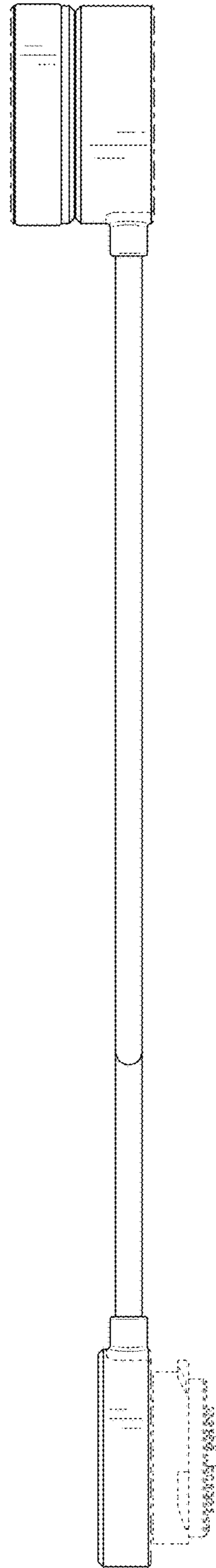


FIG. 6

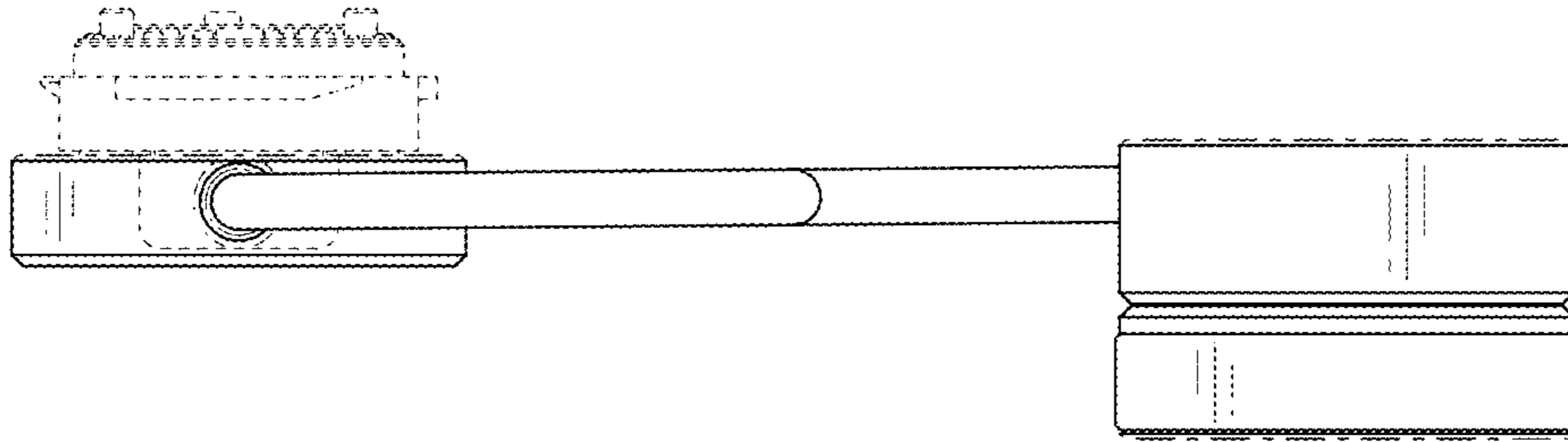


FIG. 7

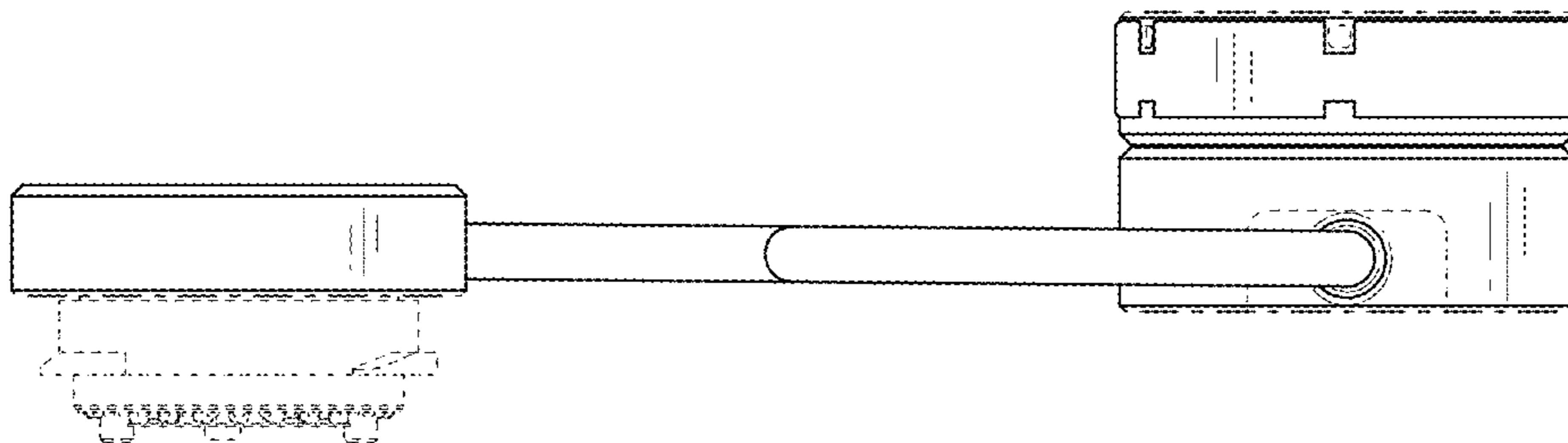


FIG. 8