



US00D810175S

(12) **United States Design Patent**  
**Park**

(10) **Patent No.:** **US D810,175 S**

(45) **Date of Patent:** **\*\* Feb. 13, 2018**

(54) **CAMERA**

(71) Applicant: **Hanwha Techwin Co., Ltd.**,  
Changwon-si (KR)

(72) Inventor: **Hojin Park**, Changwon-si (KR)

(73) Assignee: **Hanwha Techwin Co., Ltd.**,  
Changwon-si (KR)

(\*\*) Term: **15 Years**

(21) Appl. No.: **29/579,190**

(22) Filed: **Sep. 28, 2016**

(30) **Foreign Application Priority Data**

May 2, 2016 (KR) ..... 30-2016-0020920

(51) **LOC (11) Cl.** ..... **16-05**

(52) **U.S. Cl.**  
USPC ..... **D16/219**; D16/202

(58) **Field of Classification Search**  
USPC ..... D16/200–220, 232, 235, 239, 242, 243,  
D16/244, 245, 250; D14/423, 229, 251;  
D18/107

CPC ..... G02B 5/00; G03B 11/04; G03B 17/00;  
G03B 17/02; G03B 9/08; H04N 5/2251;  
H04N 5/232; H04N 7/00; F16M 13/00

See application file for complete search history.

(56) **References Cited**

**U.S. PATENT DOCUMENTS**

D181,682 S \* 12/1957 Stein ..... D16/218  
D207,751 S \* 5/1967 Doblin ..... D16/209  
D701,892 S \* 4/2014 Jang ..... D16/202  
8,837,928 B1 \* 9/2014 Clearman ..... E05B 17/2019  
206/316.2  
8,870,475 B1 \* 10/2014 Bennett ..... G03B 17/561  
396/419  
D719,992 S \* 12/2014 Peng ..... D16/202

D721,395 S \* 1/2015 Woodman ..... D16/218  
D721,753 S \* 1/2015 Park ..... D16/202  
9,004,783 B1 \* 4/2015 Woodman ..... F16M 11/00  
396/419  
D737,879 S \* 9/2015 Woodman ..... D16/218  
D750,686 S \* 3/2016 Chen ..... D16/218  
D751,131 S \* 3/2016 Woodman ..... D16/218  
D760,309 S \* 6/2016 Parfitt ..... D16/202  
9,360,742 B1 \* 6/2016 Harrison ..... G03B 17/561  
D772,966 S \* 11/2016 Song ..... D16/200  
D775,254 S \* 12/2016 Parfitt ..... D16/202  
D785,695 S \* 5/2017 Woodman ..... D16/219  
D790,001 S \* 6/2017 Parfitt ..... D16/202

(Continued)

**FOREIGN PATENT DOCUMENTS**

EP 002349175 11/2013  
EP 002706812 6/2015

(Continued)

*Primary Examiner* — Barbara Fox

*Assistant Examiner* — Mary C Ramirez

(74) *Attorney, Agent, or Firm* — H.C. Park & Associates,  
PLC

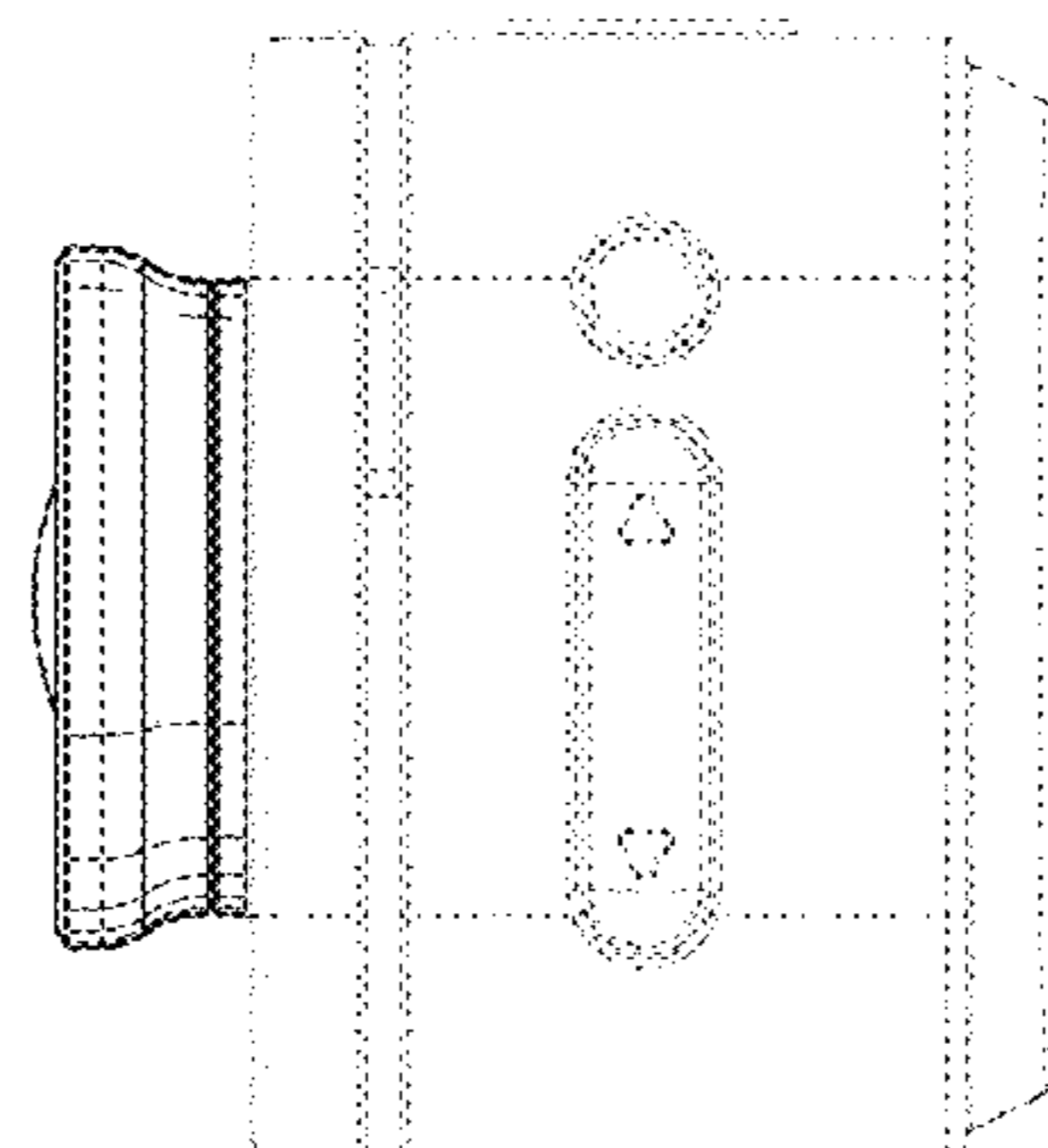
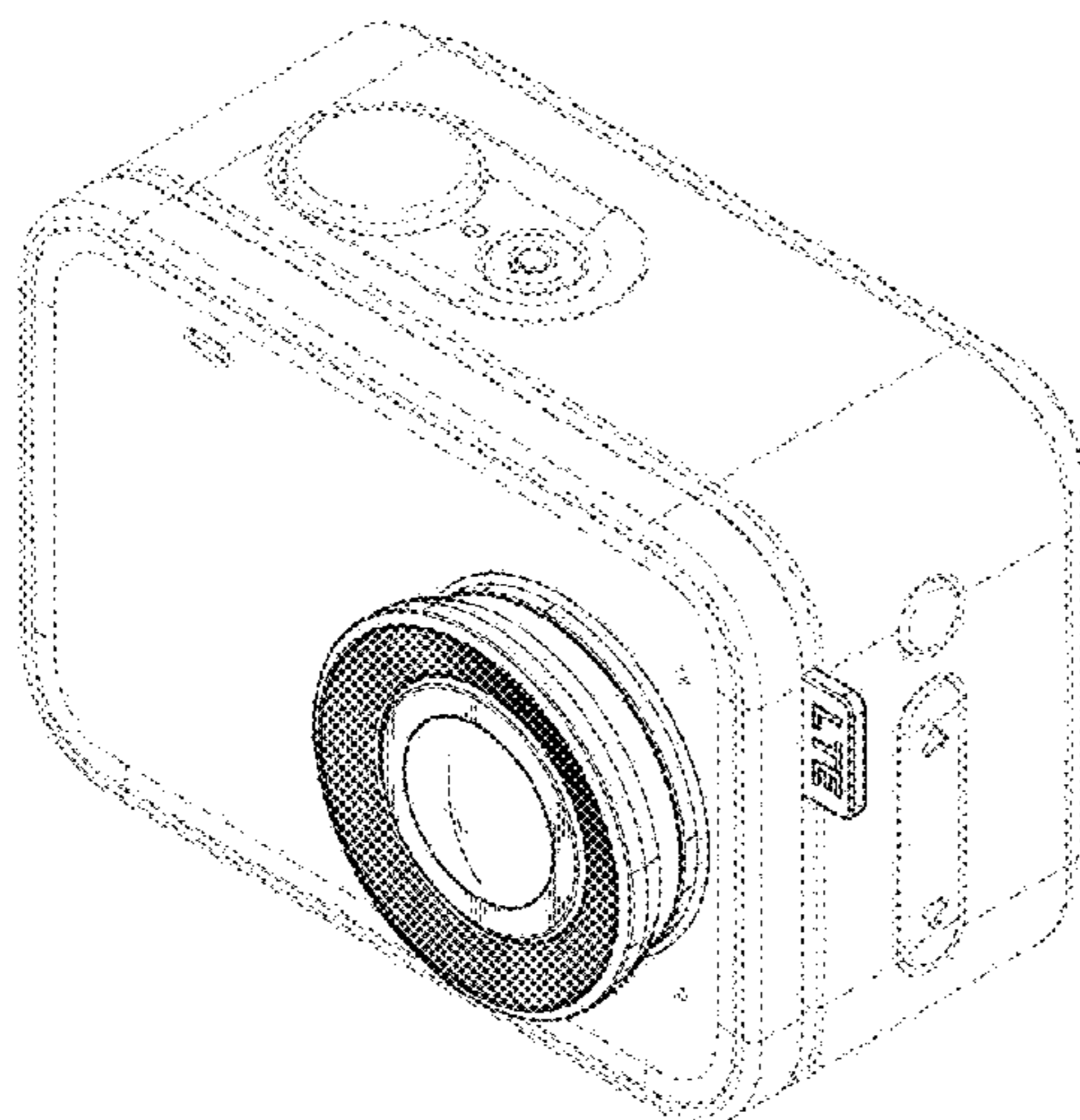
(57) **CLAIM**

The ornamental design for a camera, as shown and described.

**DESCRIPTION**

FIG. 1 is a front perspective view of a camera showing the new design;  
FIG. 2 is a front elevational view of the camera;  
FIG. 3 is a rear elevational view of the camera;  
FIG. 4 is a left side elevational view of the camera;  
FIG. 5 is a right side elevational view of the camera;  
FIG. 6 is a top plan view of the camera; and,  
FIG. 7 is a bottom plan view of the camera.  
The broken lines shown in the drawings depict portions of the camera that form no part of the claimed design.

**1 Claim, 4 Drawing Sheets**



(56)

**References Cited**

U.S. PATENT DOCUMENTS

D791,848 S \* 7/2017 Zhu ..... D16/200  
D793,463 S \* 8/2017 Houin ..... D16/202  
D796,565 S \* 9/2017 Lagerstedt ..... D16/202  
2016/0100083 A1\* 4/2016 Harrison ..... H04N 5/2252  
348/373  
2016/0119516 A1\* 4/2016 Clearman ..... G03B 17/561  
348/373  
2016/0286136 A1\* 9/2016 Vang ..... H04N 5/247  
2017/0195573 A1\* 7/2017 Tisch ..... H04N 5/23258  
2017/0235213 A1\* 8/2017 Clearman ..... G03B 17/561  
396/428

FOREIGN PATENT DOCUMENTS

KR 30-0792432 4/2015  
KR 30-0807502 7/2015  
KR 300918776.0000 \* 8/2017

\* cited by examiner

FIG. 1

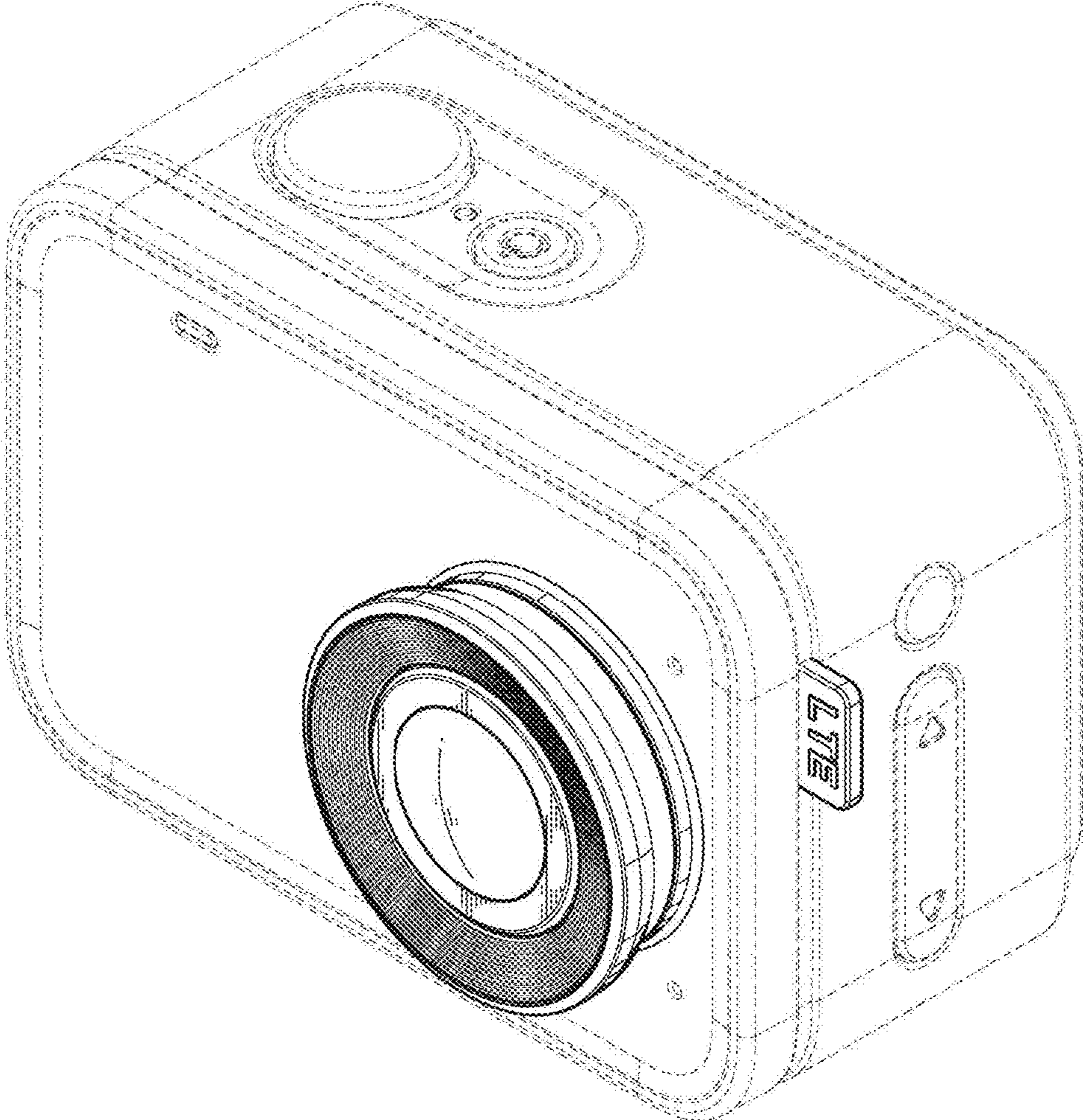




FIG. 2

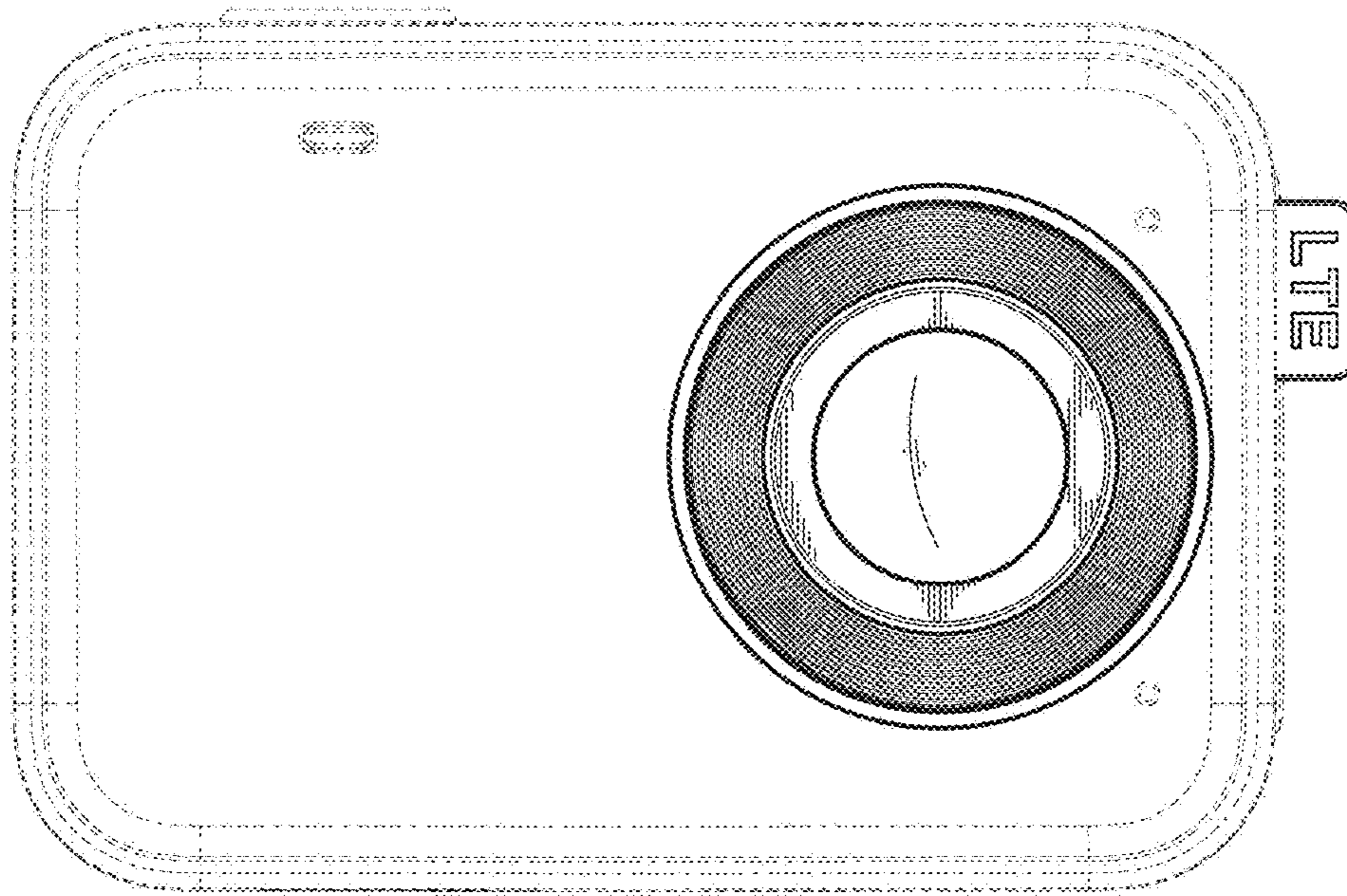


FIG. 3

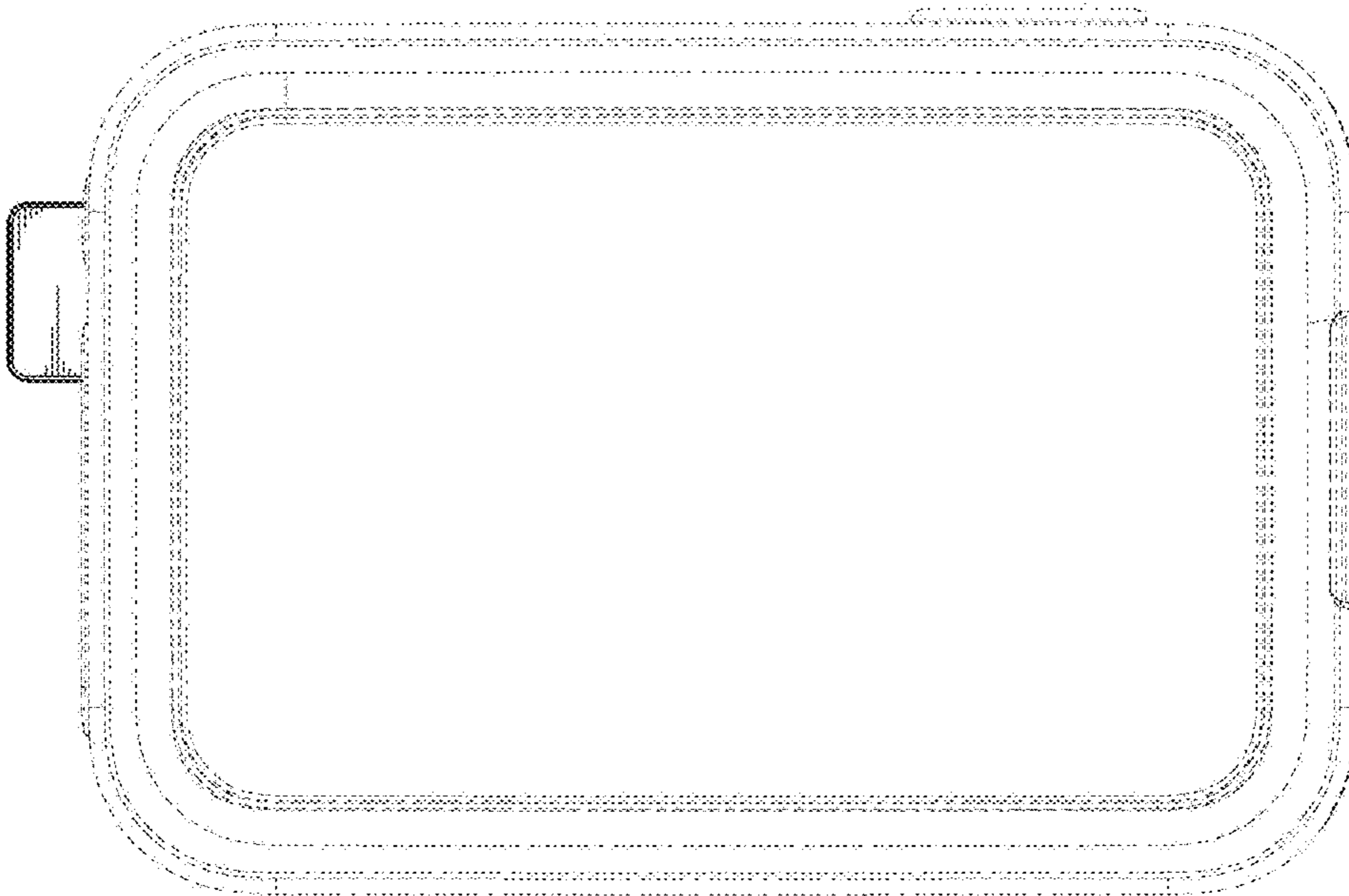


FIG. 4

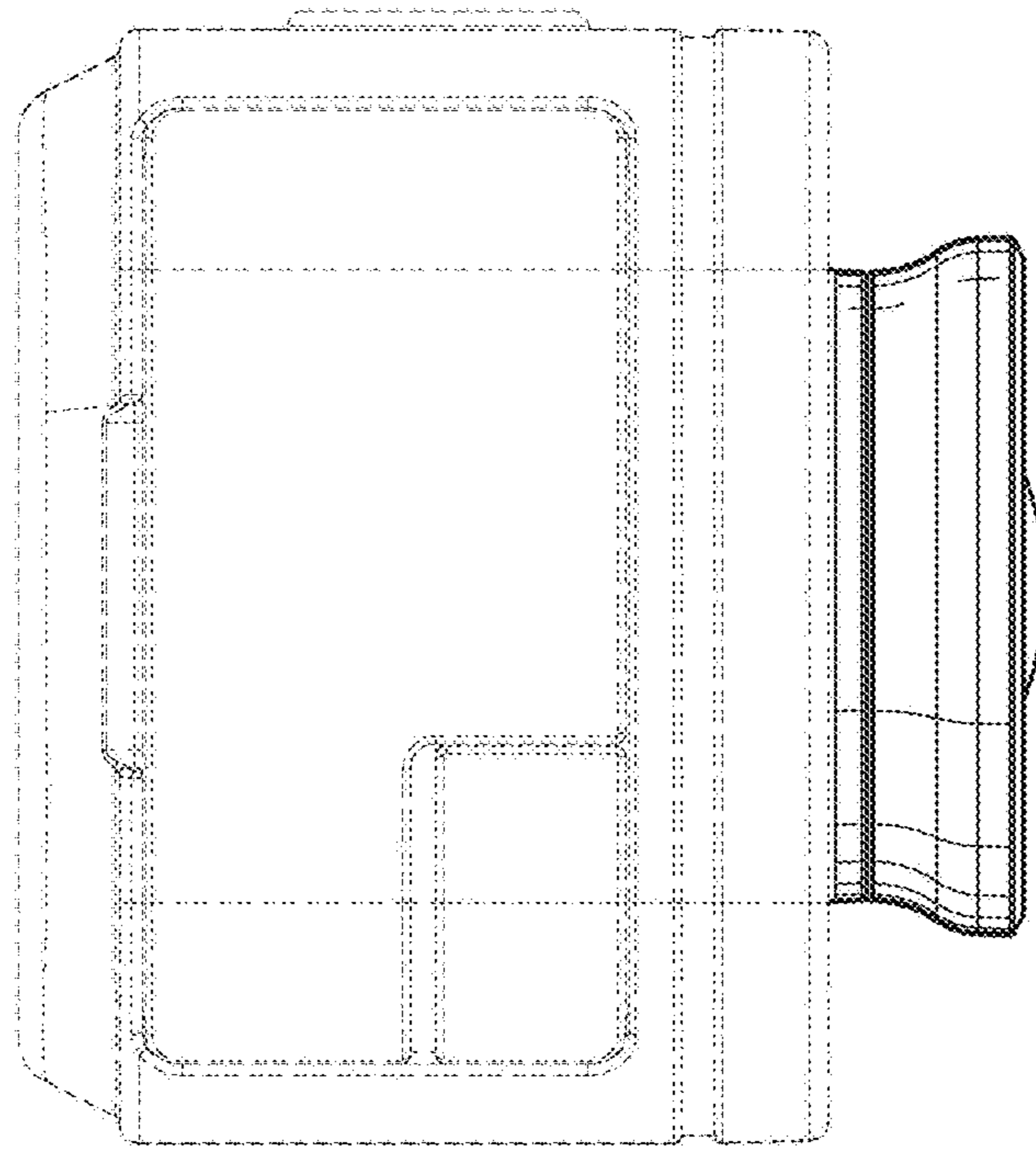


FIG. 5

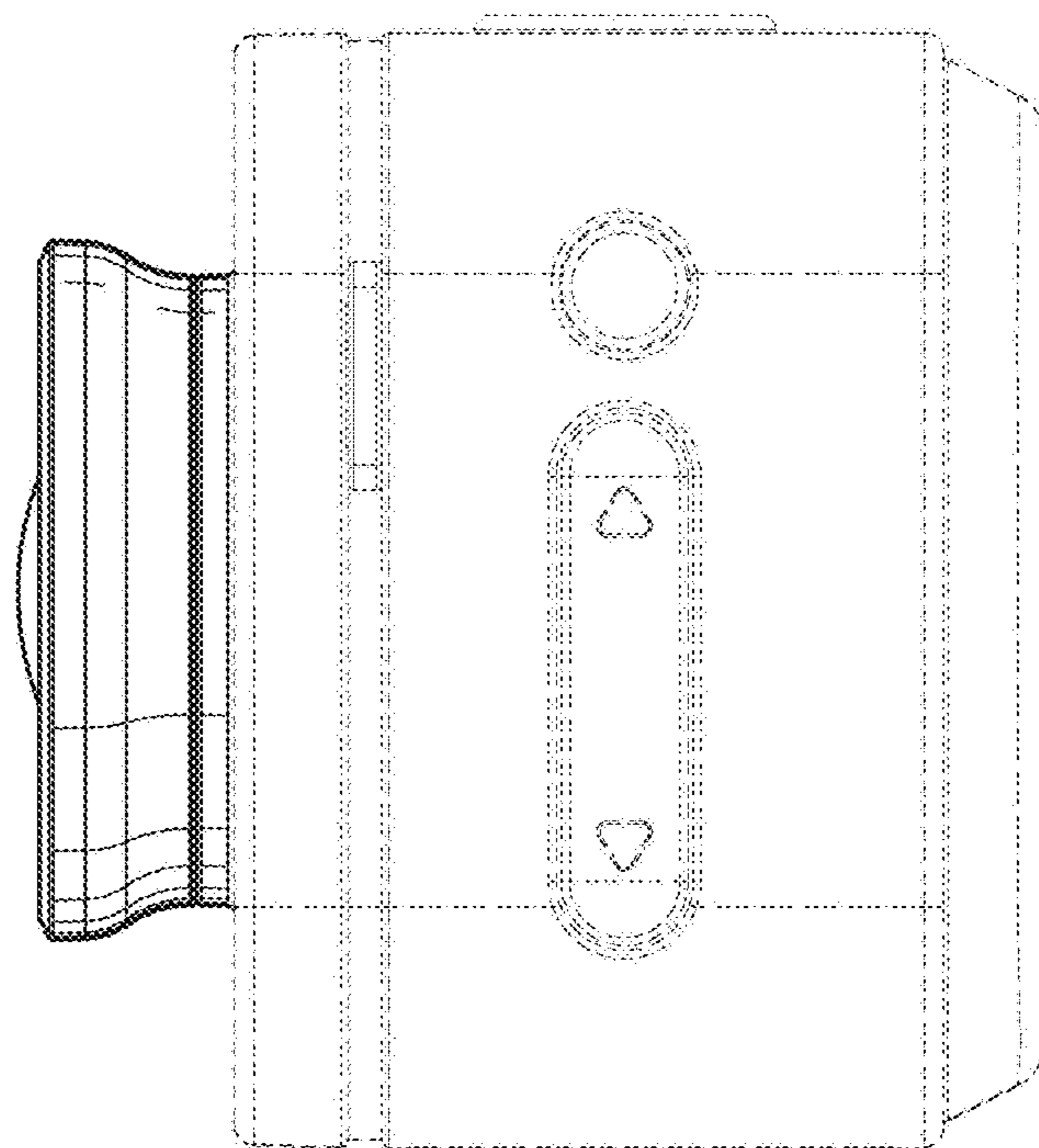


FIG. 6

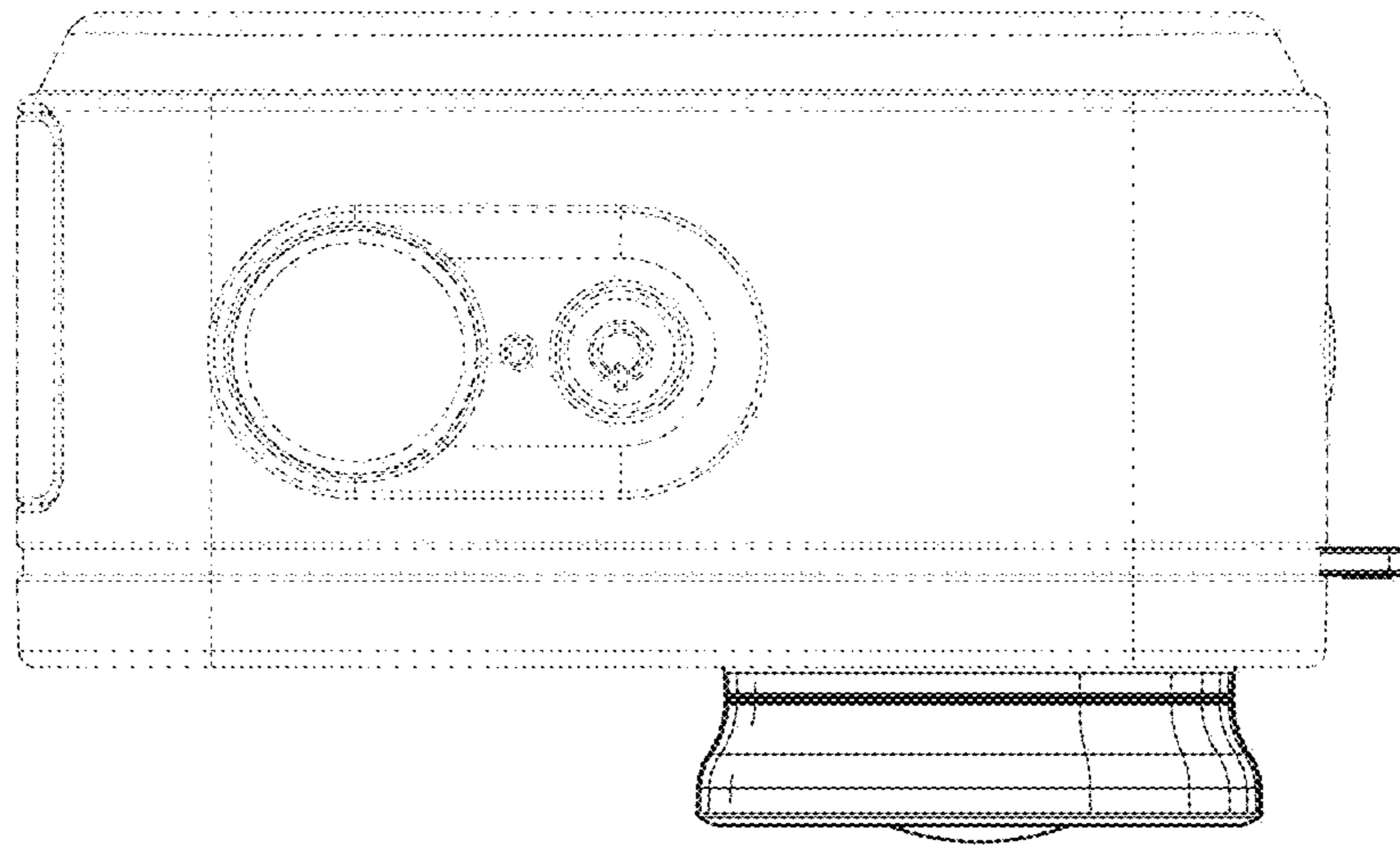


FIG. 7

