



US00D810173S

(12) **United States Design Patent**
Sato

(10) **Patent No.:** **US D810,173 S**
(45) **Date of Patent:** **** Feb. 13, 2018**

(54) **DIGITAL CAMERA**

(71) Applicant: **FUJIFILM Corporation**, Tokyo (JP)

(72) Inventor: **Jun Sato**, Tokyo (JP)

(73) Assignee: **FUJIFILM Corporation**, Tokyo (JP)

(**) Term: **15 Years**

(21) Appl. No.: **29/556,519**

(22) Filed: **Mar. 1, 2016**

(30) **Foreign Application Priority Data**

Sep. 3, 2015 (JP) 2015-019595

(51) **LOC (11) Cl.** **16-05**

(52) **U.S. Cl.**
USPC **D16/219**

(58) **Field of Classification Search**
USPC D14/307; D16/200-220, 229, 230, 242,
D16/244, 245, 238; D20/21, 38, 338;
D23/283, 305; D25/20, 58
CPC H04N 7/181; H04N 7/183; H04N 7/18;
H04N 3/08; H04N 5/23248; H04N
5/23287; H04N 5/23258; H04N 5/2251;
H04N 5/2252; H04N 2007/145; G01C
11/025; G03B 15/00; G03B 15/03; G03B
17/56; G03B 17/02; G03B 17/30; G03B
17/04; G03B 17/00; G03B 19/04; G03B
3/00; B60R 1/00; B60R 2300/105; G08B
13/19619; G08B 13/1963; G08B
13/19632; F16M 11/04; F16M 13/00;
Y02E 60/12

See application file for complete search history.

(56) **References Cited**

U.S. PATENT DOCUMENTS

D263,961 S * 4/1982 Lange D16/209
D382,888 S * 8/1997 Isozaki D16/200

D387,078 S * 12/1997 Akita D16/200
D508,065 S * 8/2005 Dow D16/202
D521,042 S * 5/2006 Inaba D16/202
D524,348 S * 7/2006 Nagayama D16/202
D555,182 S * 11/2007 Senda D16/202
D557,311 S * 12/2007 Hanafusa D16/202
D597,578 S * 8/2009 Kim D16/202
D681,710 S * 5/2013 Sato D16/200
D698,839 S * 2/2014 Sato D16/200
D706,329 S * 6/2014 Sakai D16/202
D710,425 S * 8/2014 Sato D16/200

(Continued)

OTHER PUBLICATIONS

Fujifilm x20, announced 2012, [site visited Apr. 29, 2017], Available from Internet, URL: <<http://www.expertreviews.co.uk/digital-cameras/53511/fujifilm-x20-review>>.*

Primary Examiner — Barbara Fox

Assistant Examiner — Mary C Ramirez

(74) *Attorney, Agent, or Firm* — Young & Thompson

(57) **CLAIM**

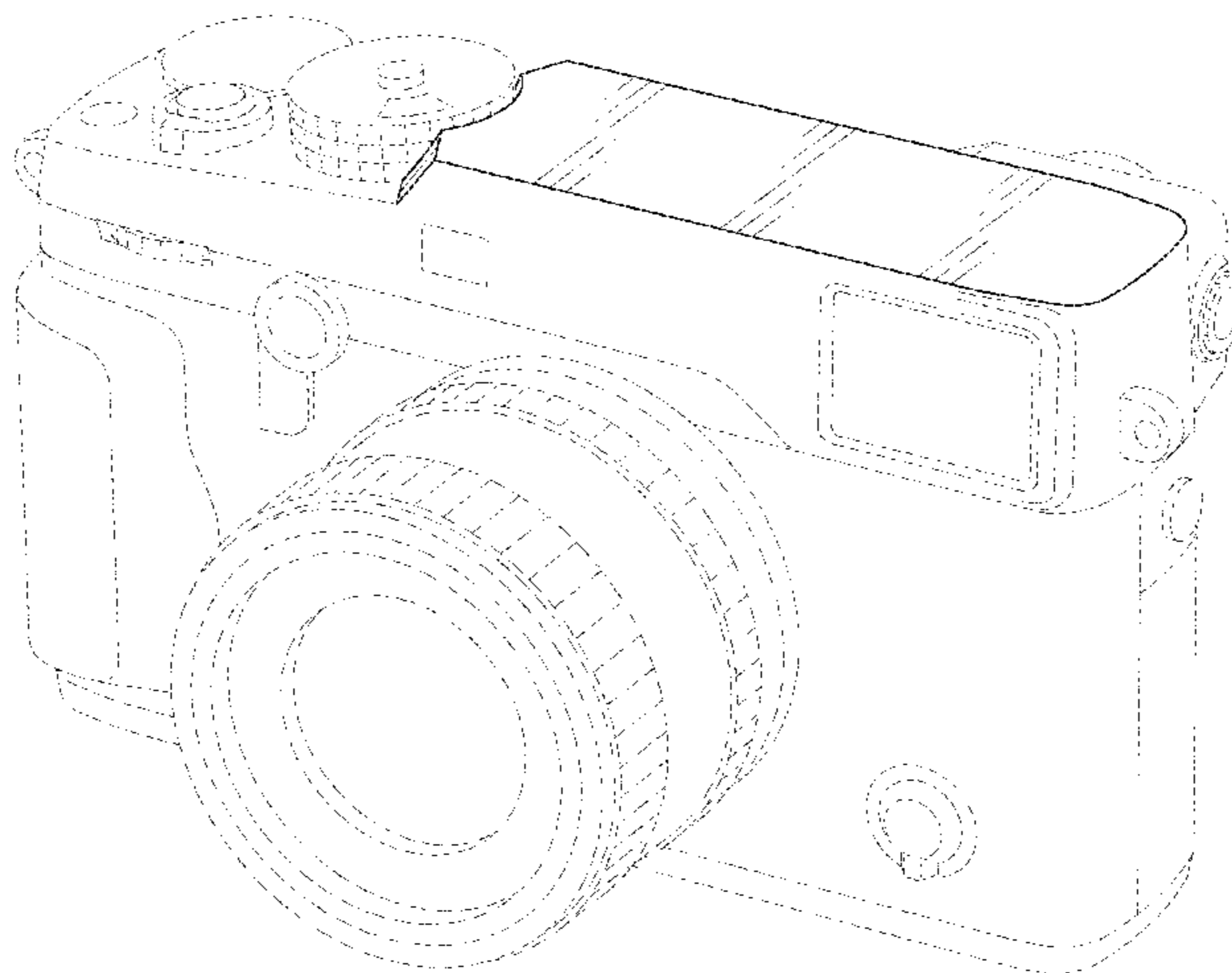
The ornamental design for a digital camera, as shown and described.

DESCRIPTION

FIG. 1 is a top, front and right side perspective view of a digital camera showing my new design;
FIG. 2 is a top, rear and left side perspective view thereof;
FIG. 3 is a front elevational view thereof;
FIG. 4 is a rear elevational view thereof;
FIG. 5 is a top plan view thereof;
FIG. 6 is a bottom plan view thereof;
FIG. 7 is a left side elevational view thereof;
FIG. 8 is a right side elevational view thereof; and,
FIG. 9 is another top, front and right side perspective view thereof with a lens attached.

The broken lines shown in the drawings illustrate portions of the digital camera that form no part of the claimed design.

1 Claim, 9 Drawing Sheets



(56)

References Cited

U.S. PATENT DOCUMENTS

D710,426	S *	8/2014	Sato	D16/243
D719,599	S *	12/2014	Fujita	D16/202
D723,084	S *	2/2015	Awazu	D16/219
D729,297	S *	5/2015	Ikegame	D16/202
D731,572	S *	6/2015	Nohara	D16/202
D749,659	S *	2/2016	Kamei	D16/202
D749,664	S *	2/2016	Kamei	D16/219
D779,574	S *	2/2017	Nakajima	D16/202
D779,575	S *	2/2017	Kobayashi	D16/202
2002/0037167	A1 *	3/2002	Sakurada	G03B 15/03 396/155
2011/0109790	A1 *	5/2011	Shinohara	G03B 17/14 348/373
2012/0106944	A1 *	5/2012	Johnson	G03B 17/56 396/428

* cited by examiner

FIG. 1

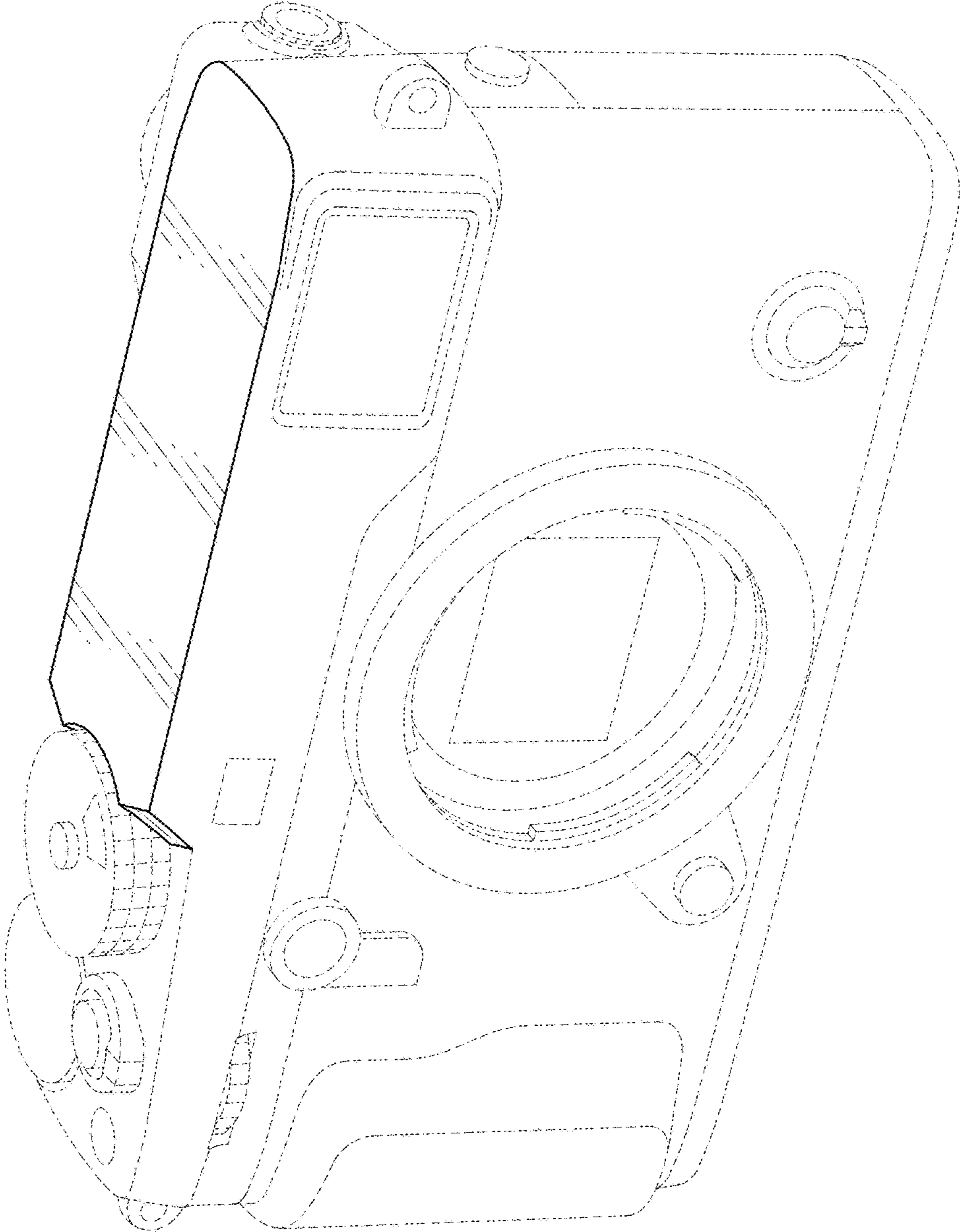


FIG. 2

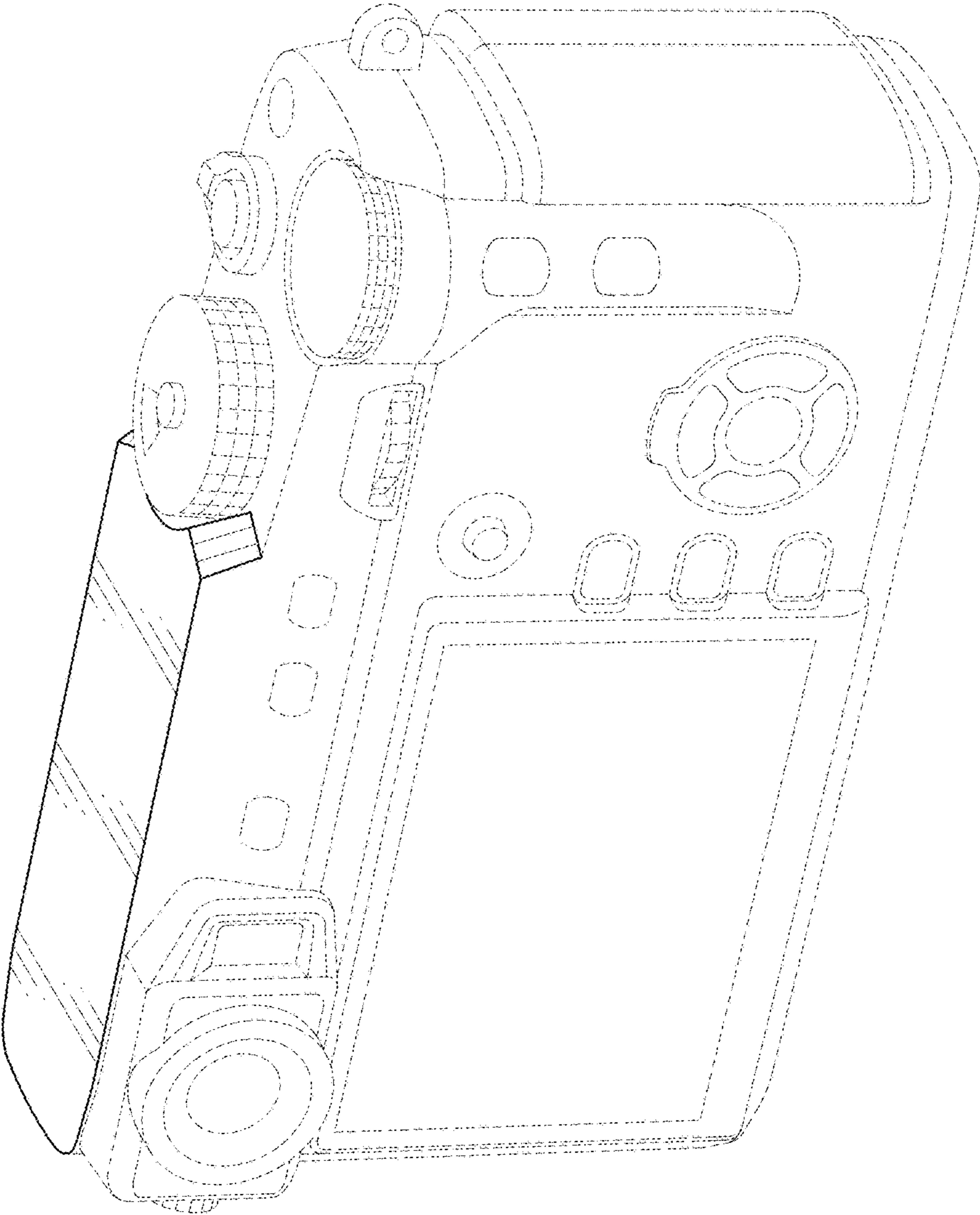


FIG. 3

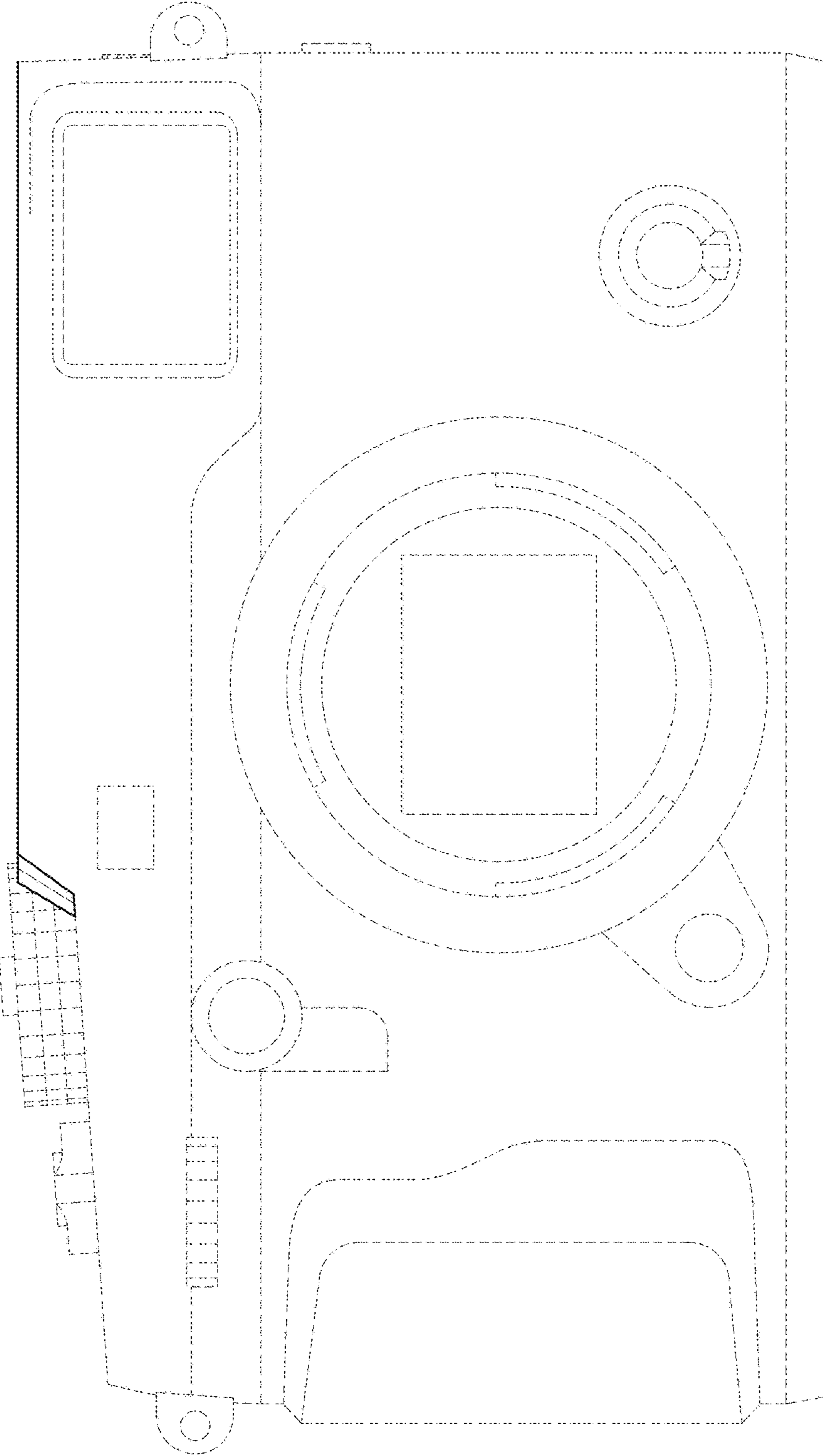


FIG. 4

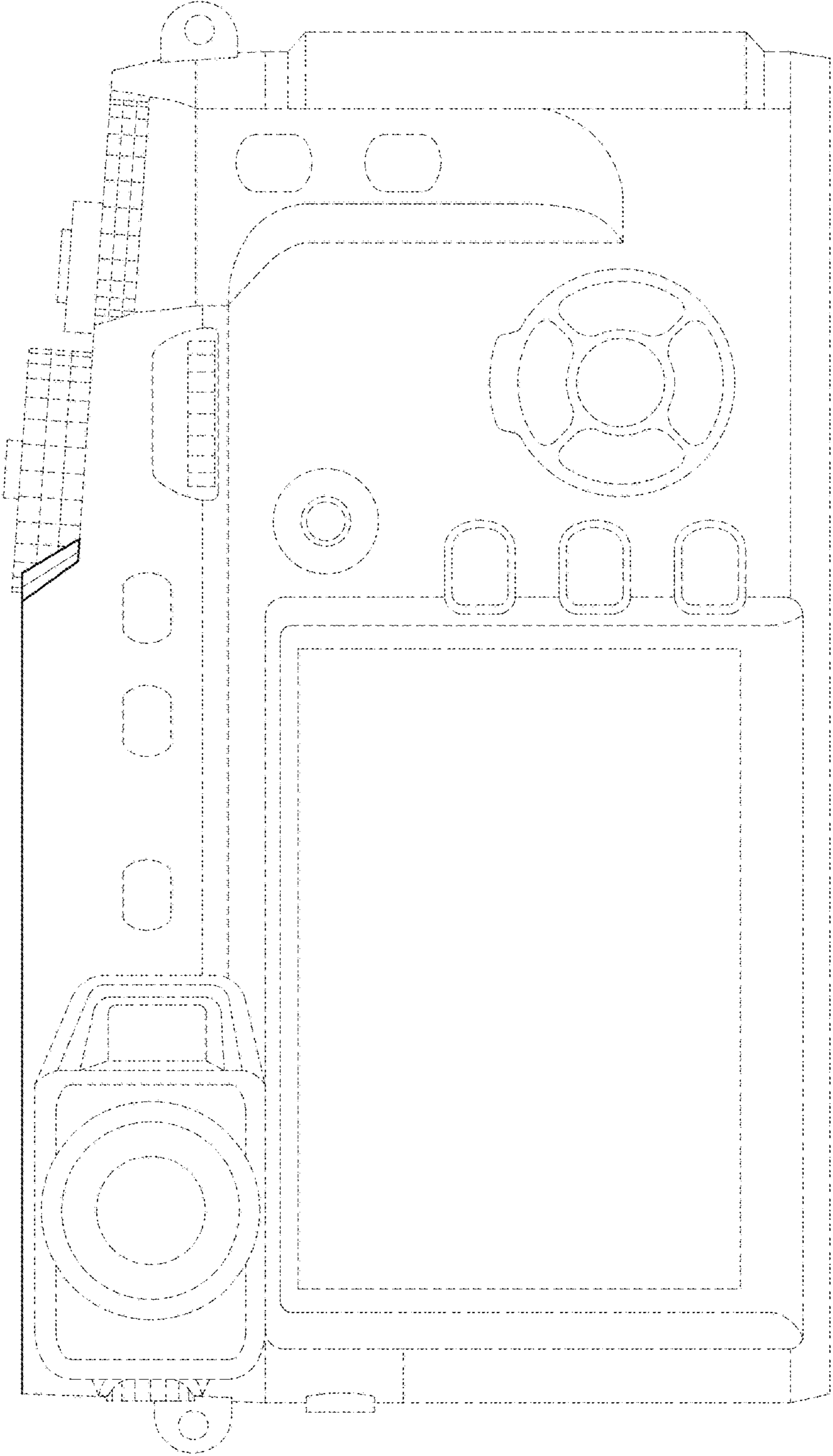


FIG. 5

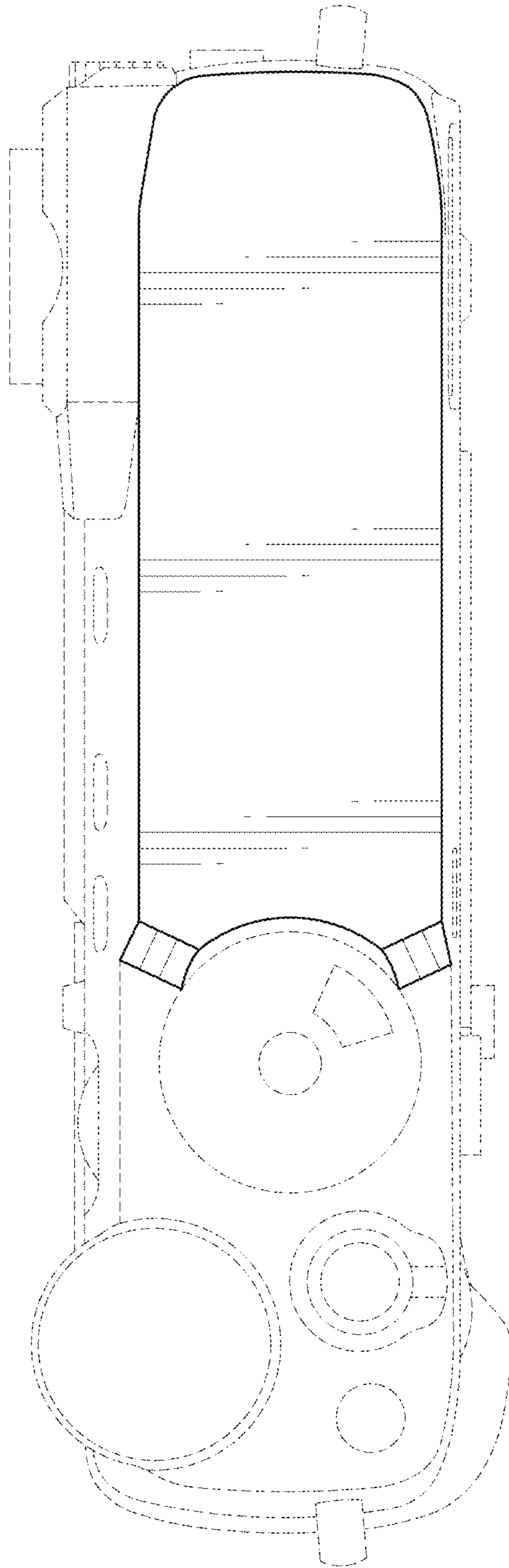


FIG. 6

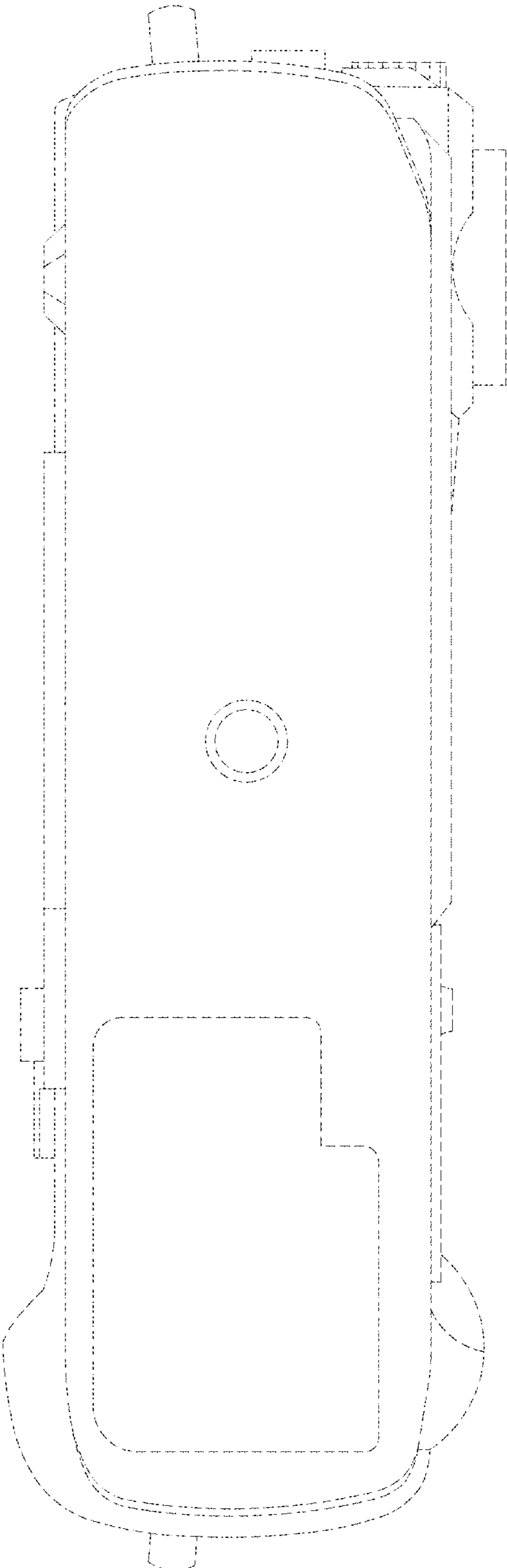


FIG. 7

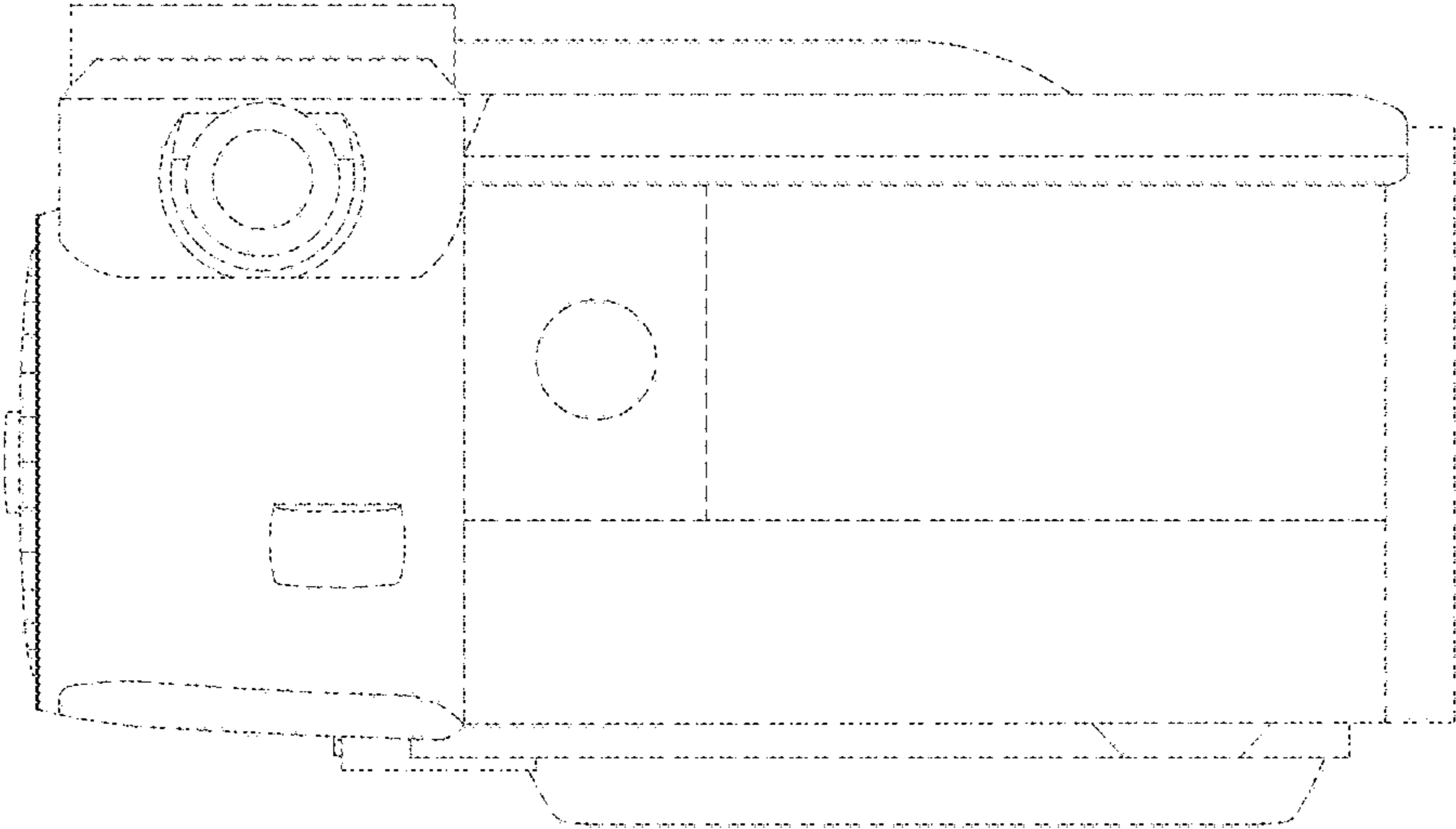


FIG. 8

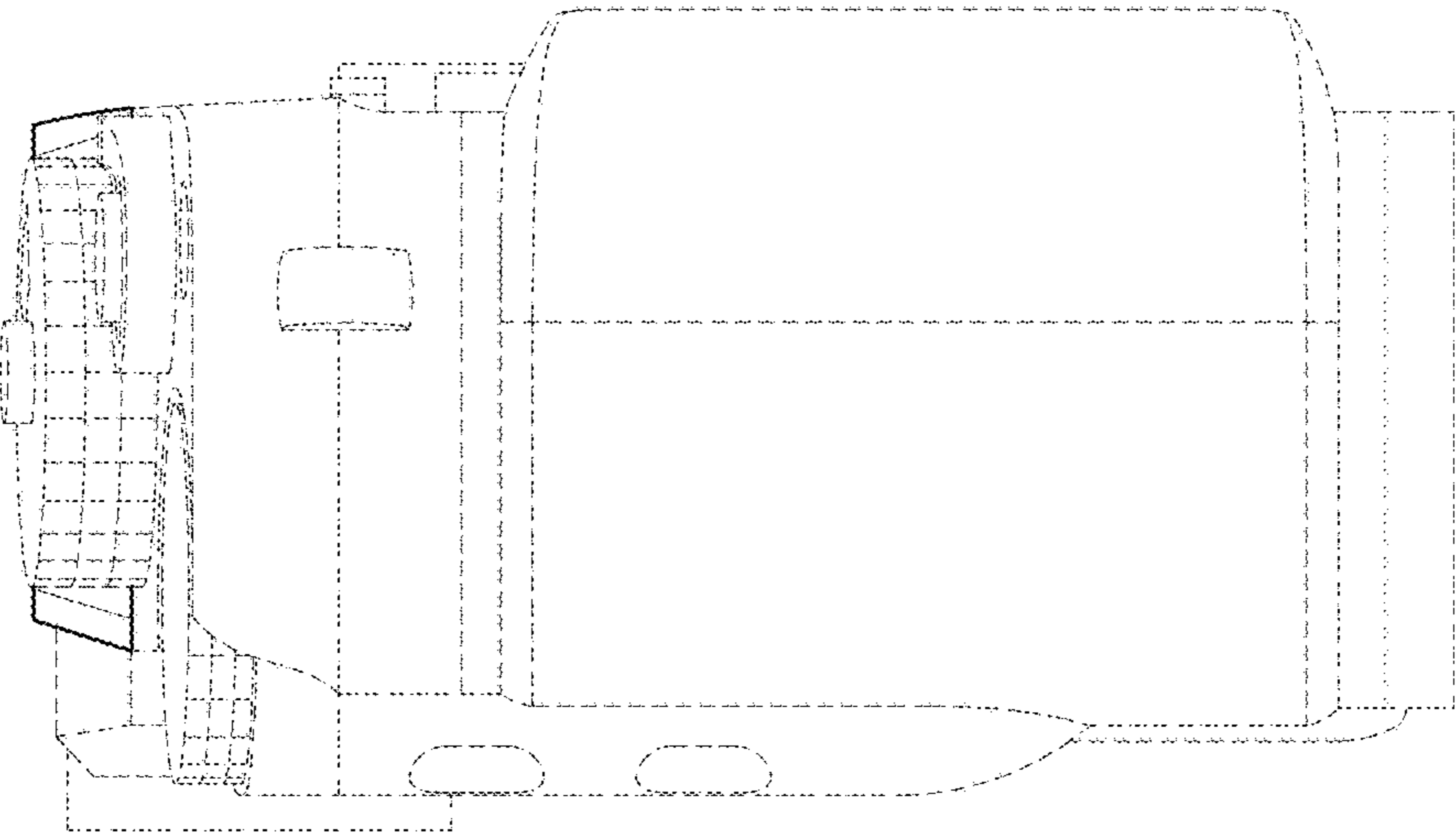


FIG. 9

