



US00D810172S

(12) **United States Design Patent**
Miyashita et al.

(10) **Patent No.:** **US D810,172 S**

(45) **Date of Patent:** **** Feb. 13, 2018**

(54) **CAMERA**

(71) Applicant: **Sony Corporation**, Tokyo (JP)

(72) Inventors: **Shin Miyashita**, Kanagawa (JP); **Koji Izumi**, Tokyo (JP); **Yuichi Kaneda**, Tokyo (JP); **Yoshinori Sugiyama**, Tokyo (JP); **Taku Yaegashi**, Tokyo (JP); **Kohtaro Amano**, Tokyo (JP); **Noriaki Takagi**, Kanagawa (JP); **Hikaru Tanoue**, Kanagawa (JP); **Kentaro Fujii**, Tokyo (JP); **Nobuharu Murashima**, Tokyo (JP); **Keisuke Ishii**, Chiba (JP)

(73) Assignee: **SONY CORPORATION**, Tokyo (JP)

(**) Term: **14 Years**

(21) Appl. No.: **29/509,264**

(22) Filed: **Nov. 14, 2014**

Related U.S. Application Data

(63) Continuation-in-part of application No. 29/446,359, filed on Feb. 22, 2013, now Pat. No. Des. 726,238, (Continued)

(30) **Foreign Application Priority Data**

Jun. 4, 2012 (CN) 2012 3 0221050
Jun. 6, 2012 (JP) D2012-013416
Jun. 6, 2012 (JP) D2012-013420
Jun. 6, 2012 (JP) D2012-013421
Aug. 24, 2012 (CN) 2012 3 0404516
Sep. 11, 2012 (CN) 2012 3 0432931
Sep. 11, 2012 (JP) D2012-022020

(Continued)

(51) **LOC (11) Cl.** **16-05**

(52) **U.S. Cl.**
USPC **D16/219**

(58) **Field of Classification Search**

USPC D16/200, 202–206, 208, 218, 219;
348/373–376; 396/448, 535, 539–541
(Continued)

(56) **References Cited**

U.S. PATENT DOCUMENTS

D386,772 S 11/1997 Kataoka
D449,058 S 10/2001 Yamazaki et al.
(Continued)

FOREIGN PATENT DOCUMENTS

JP D1137713 S 4/2002
JP D1137714 S 4/2002
(Continued)

Primary Examiner — Philip S Hyder

Assistant Examiner — Ramzi Almatrahi

(74) *Attorney, Agent, or Firm* — Michael Best & Friedrich LLP

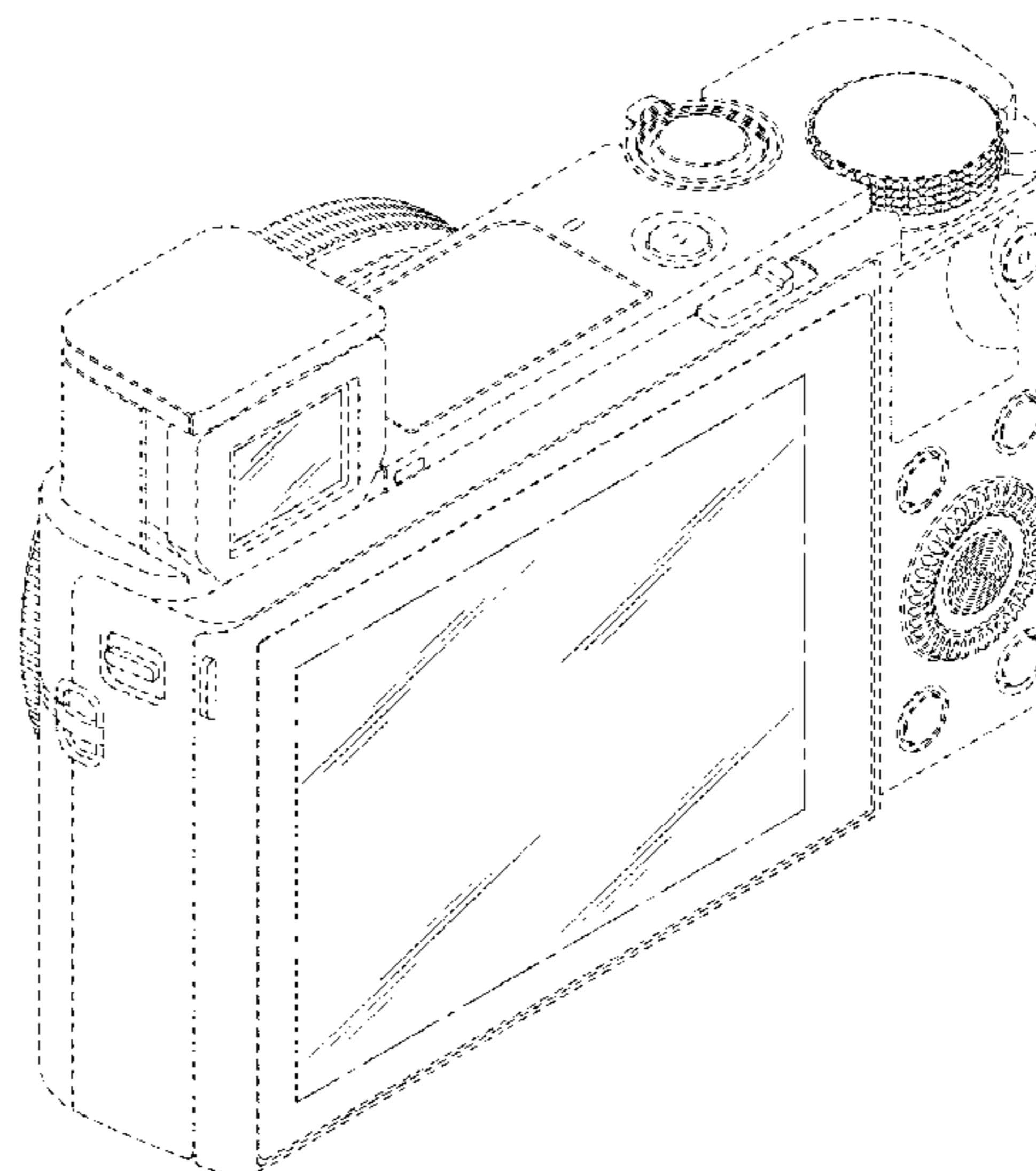
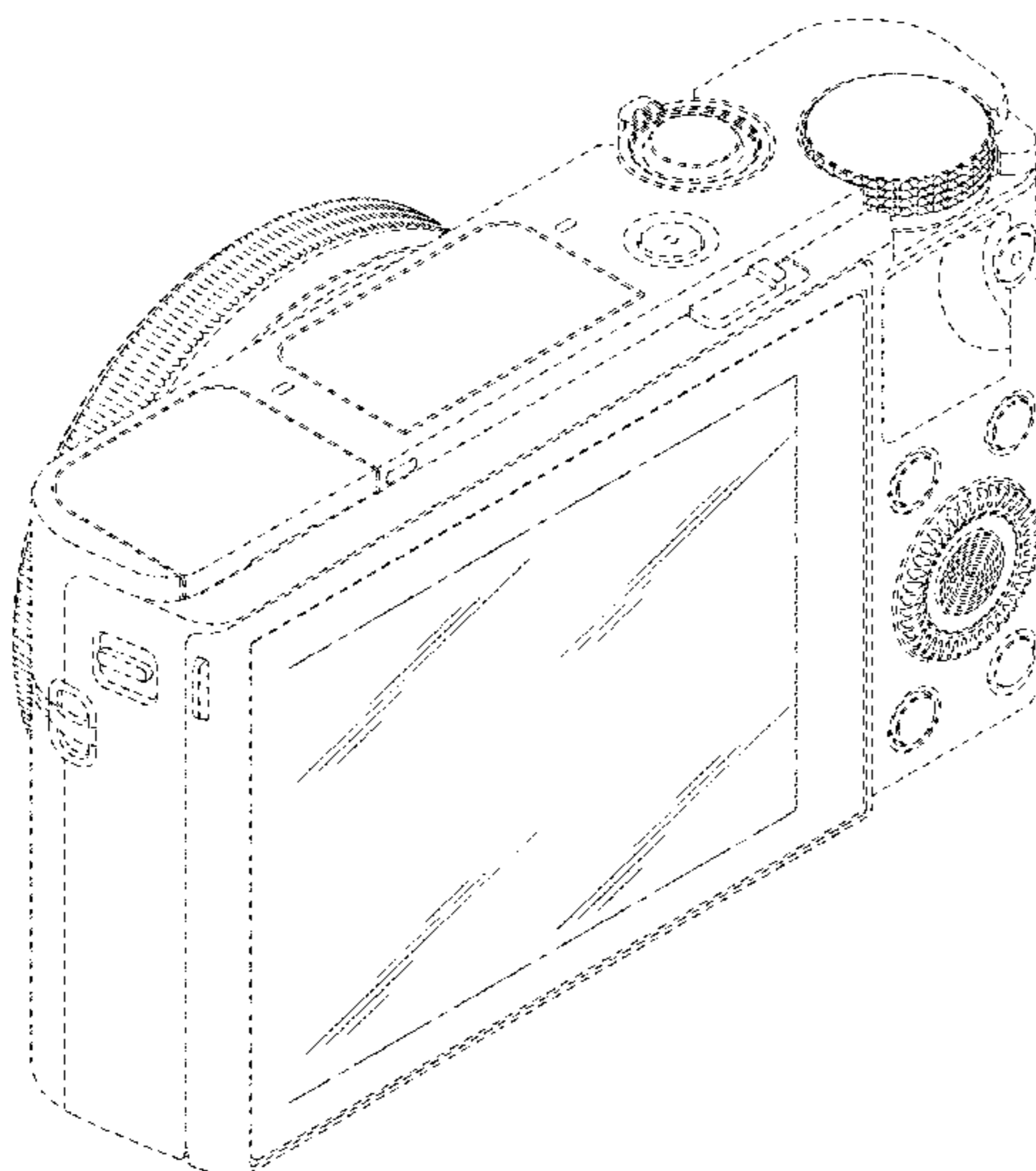
(57) **CLAIM**

The ornamental design for a camera, as shown and described.

DESCRIPTION

FIG. 1 is a rear top, right perspective view of a camera showing our new design;
FIG. 2 is a rear elevational view thereof;
FIG. 3 is a rear, top, right perspective view thereof, with the viewfinder shown in a raised position; and,
FIG. 4 is a rear elevational view thereof.
The broken lines depict portions of a camera in which the design is embodied that form no part of the claimed design. Additionally, the dash-dot lines denote the boundary of the claim and form no part of the claimed design.

1 Claim, 4 Drawing Sheets



Related U.S. Application Data

and a continuation-in-part of application No. 29/437, 112, filed on Nov. 13, 2012, now Pat. No. Des. 775,255.

(30) **Foreign Application Priority Data**

May 15, 2014 (JP) D2014-010392
 May 15, 2014 (JP) D2014-010393
 May 15, 2014 (JP) D2014-010394
 May 15, 2014 (JP) D2014-010395
 May 15, 2014 (JP) D2014-010396
 May 15, 2014 (JP) D2014-010397
 May 15, 2014 (JP) D2014-010398
 May 15, 2014 (JP) D2014-010399

(58) **Field of Classification Search**

CPC G03B 15/03; G03B 17/02; G03B 17/04;
 G03B 17/56; G03B 19/04; H04N 5/2251;
 H04N 5/2252; H04N 5/2253; H04N
 5/2254; H04N 2101/00

See application file for complete search history.

(56) **References Cited**

U.S. PATENT DOCUMENTS

D450,074 S 11/2001 Miyashita
 D487,104 S 2/2004 Obata
 D496,678 S 9/2004 Kawase
 D506,767 S * 6/2005 Imai D16/200
 D508,709 S 8/2005 Watanabe
 D508,937 S 8/2005 Sadatsuki
 D509,525 S * 9/2005 Yatabe D16/202
 D514,149 S * 1/2006 Naito D16/202
 D519,141 S 4/2006 Hayashi
 D528,578 S 9/2006 Yasutomi
 D528,580 S 9/2006 Sumita

D532,031 S 11/2006 Hayashi
 D542,322 S 5/2007 Miyashita
 D543,228 S 5/2007 Miyashita
 D547,786 S * 7/2007 Tainaka D16/202
 D557,304 S 12/2007 Hayashi
 D559,294 S 1/2008 Hibi
 D561,230 S 2/2008 Song
 D566,148 S 4/2008 Akita
 D567,835 S 4/2008 Sumita
 D570,391 S 6/2008 Hibi
 D577,757 S 9/2008 Sumita
 D597,576 S 8/2009 Kim et al.
 D597,577 S 8/2009 Kim et al.
 D597,578 S 8/2009 Kim et al.
 D605,677 S 12/2009 Shimobayashi
 D605,678 S 12/2009 Shimobayashi
 D631,496 S 1/2011 Tainaka
 D633,123 S 2/2011 Katsuraku et al.
 D636,007 S * 4/2011 Peng D16/202
 D639,325 S * 6/2011 Yamauchi D16/202
 D648,363 S 11/2011 Takagi et al.
 D649,997 S * 12/2011 Imai D16/202
 D662,958 S * 7/2012 Fujita D16/202
 D677,706 S 3/2013 Nojima et al.
 D682,906 S 5/2013 Uemachi et al.
 D689,914 S 9/2013 Uemachi et al.
 D694,303 S 11/2013 Ham et al.
 D695,328 S 12/2013 Sul
 D697,959 S 1/2014 Imai
 D701,550 S * 3/2014 Umehara D16/202
 D729,297 S * 5/2015 Ikegame D16/202
 D738,418 S * 9/2015 Imai D16/202
 2007/0212062 A1 9/2007 Saiki et al.

FOREIGN PATENT DOCUMENTS

JP D1137875 S 4/2002
 JP D1147348 S 7/2002
 JP D1411402 S 4/2011

* cited by examiner

FIG.1

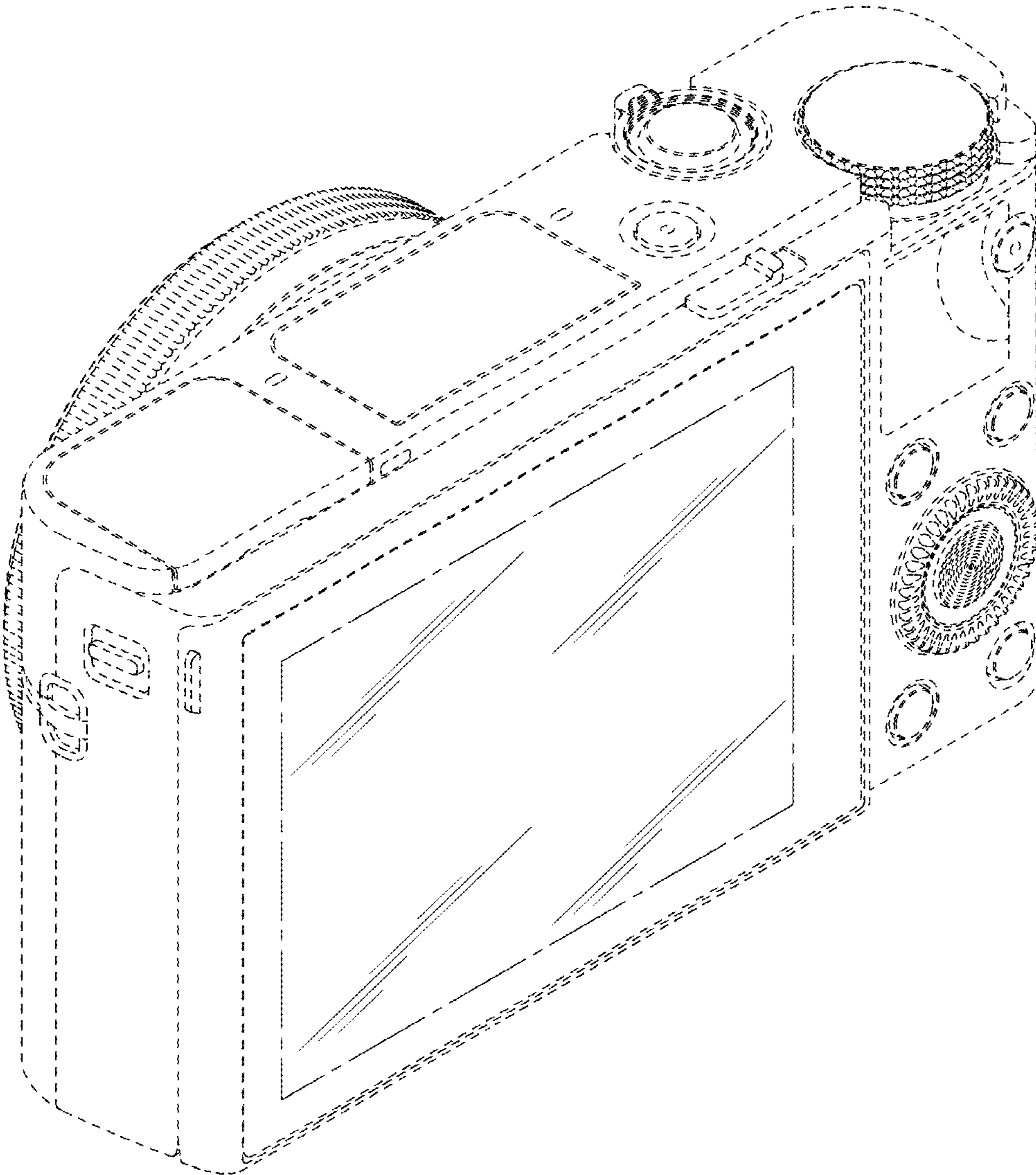


FIG.2

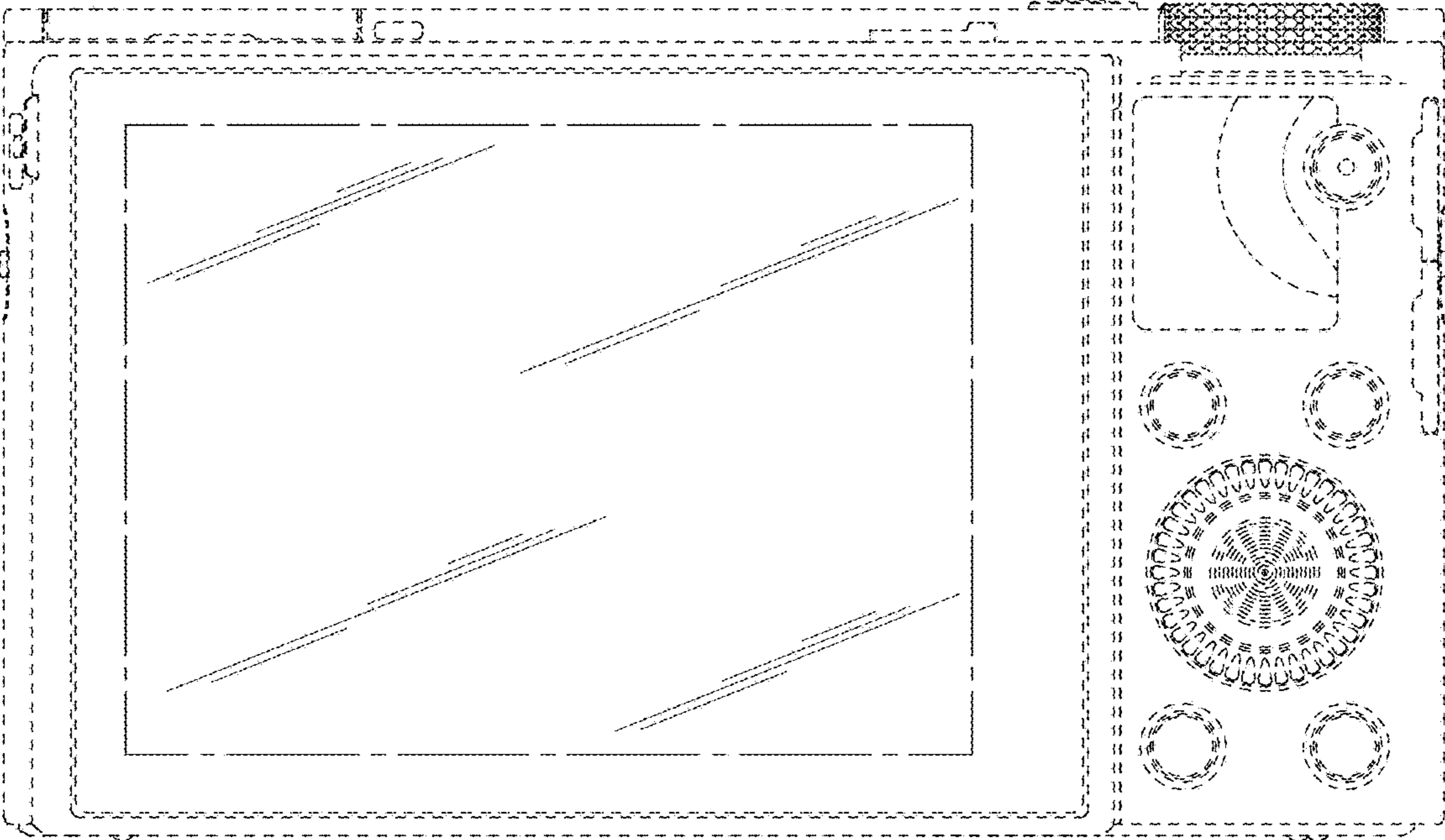


FIG.3

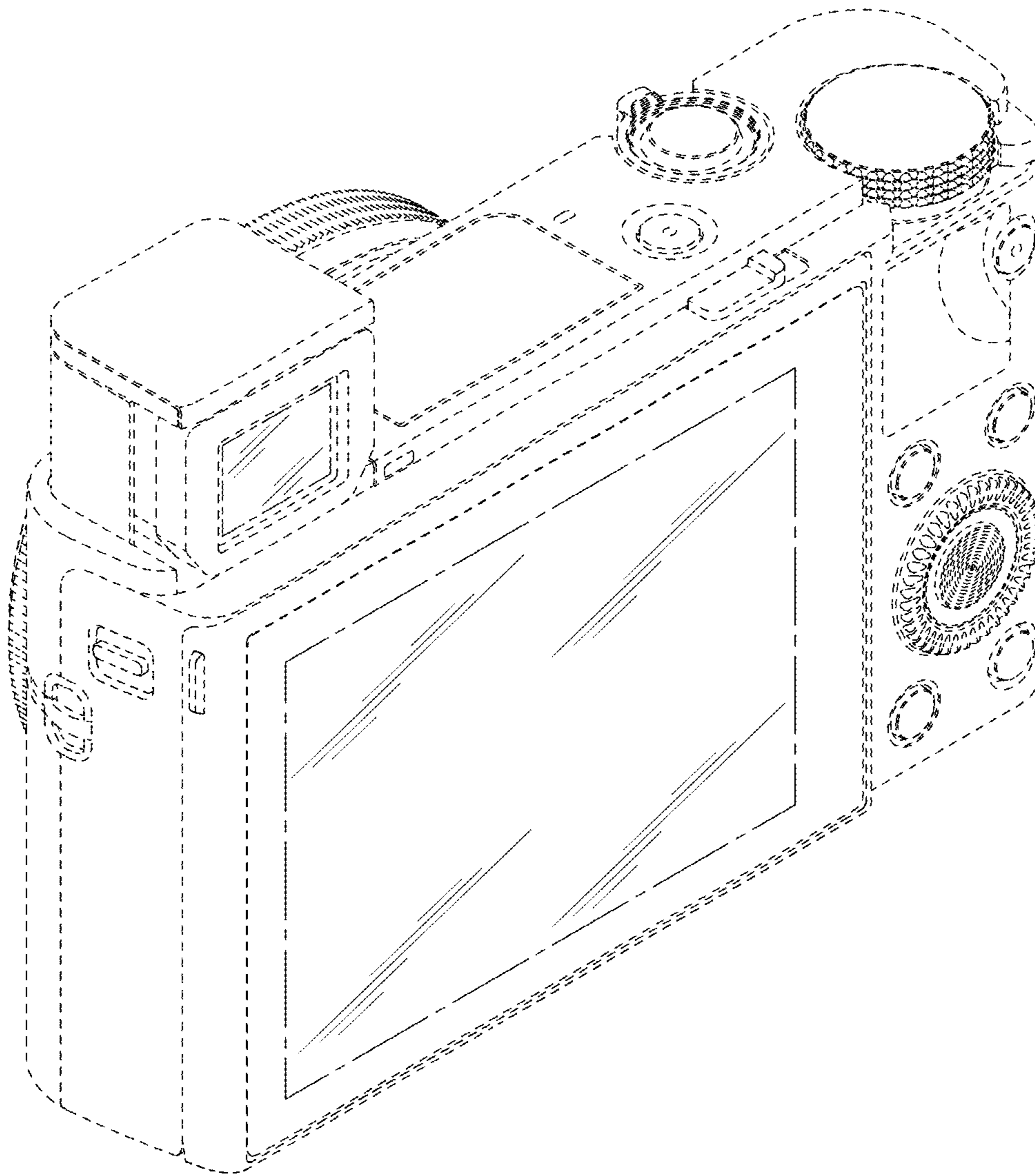


FIG.4

