



US00D810171S

(12) **United States Design Patent**
Kim et al.

(10) **Patent No.:** **US D810,171 S**
(45) **Date of Patent:** **** Feb. 13, 2018**

- (54) **CAMERA WITH HANDLE**
- (71) Applicant: **SZ DJI Osmo Technology Co., Ltd.**,
Shenzhen, Guangdong (CN)
- (72) Inventors: **Min Kim**, Shenzhen (CN); **Zhen Wang**,
Shenzhen (CN); **Haibin Zheng**, Shenzhen (CN)
- (73) Assignee: **SZ DJI Osmo Technology Co., Ltd.**,
Shenzhen (CN)
- (**) Term: **15 Years**
- (21) Appl. No.: **29/540,667**
- (22) Filed: **Sep. 25, 2015**
- (51) **LOC (11) Cl.** **16-01**
- (52) **U.S. Cl.**
USPC **D16/206; D16/202**
- (58) **Field of Classification Search**
USPC D16/200, 202–206, 208, 211, 214, 218,
D16/219, 237, 242, 244; D14/130, 132,
D14/144; D10/104.1, 104.2, 106.1,
D10/106.2, 106.5; 348/164, 347,
348/373–376; 396/535, 539–541;
250/330, 332
CPC G03B 15/00; G03B 15/03; G03B 17/02;
G03B 17/04; G03B 17/56; G03B 19/04;
H04N 5/2251; H04N 5/2252; H04N
5/2253; H04N 5/2254; H04N 2101/00;
F16M 11/04; F16M 13/00
See application file for complete search history.

(56) **References Cited**

U.S. PATENT DOCUMENTS

- D445,817 S * 7/2001 Okuley D16/202
- D575,322 S * 8/2008 Aiba D16/203
- D590,867 S * 4/2009 Schenone D16/206
- D649,175 S * 11/2011 Willis D16/242
- D694,802 S * 12/2013 Coyle D16/237

- 8,770,539 B1 * 7/2014 Hsu B60R 11/0241
248/126
 - D710,424 S * 8/2014 Hallgren D16/206
 - D732,601 S * 6/2015 Coyle D16/237
 - D738,951 S * 9/2015 Coyle D16/237
- (Continued)

FOREIGN PATENT DOCUMENTS

- CN 302937676 9/2014
 - CN 302982638 10/2014
- (Continued)

OTHER PUBLICATIONS

U.S. Appl. No. 29/548,624, filed Dec. 15, 2015; Kim et al.

Primary Examiner — Philip S Hyder

Assistant Examiner — Ramzi S Almatrahi

(74) *Attorney, Agent, or Firm* — Sterne, Kessler,
Goldstein & Fox P.L.L.C.

(57) **CLAIM**

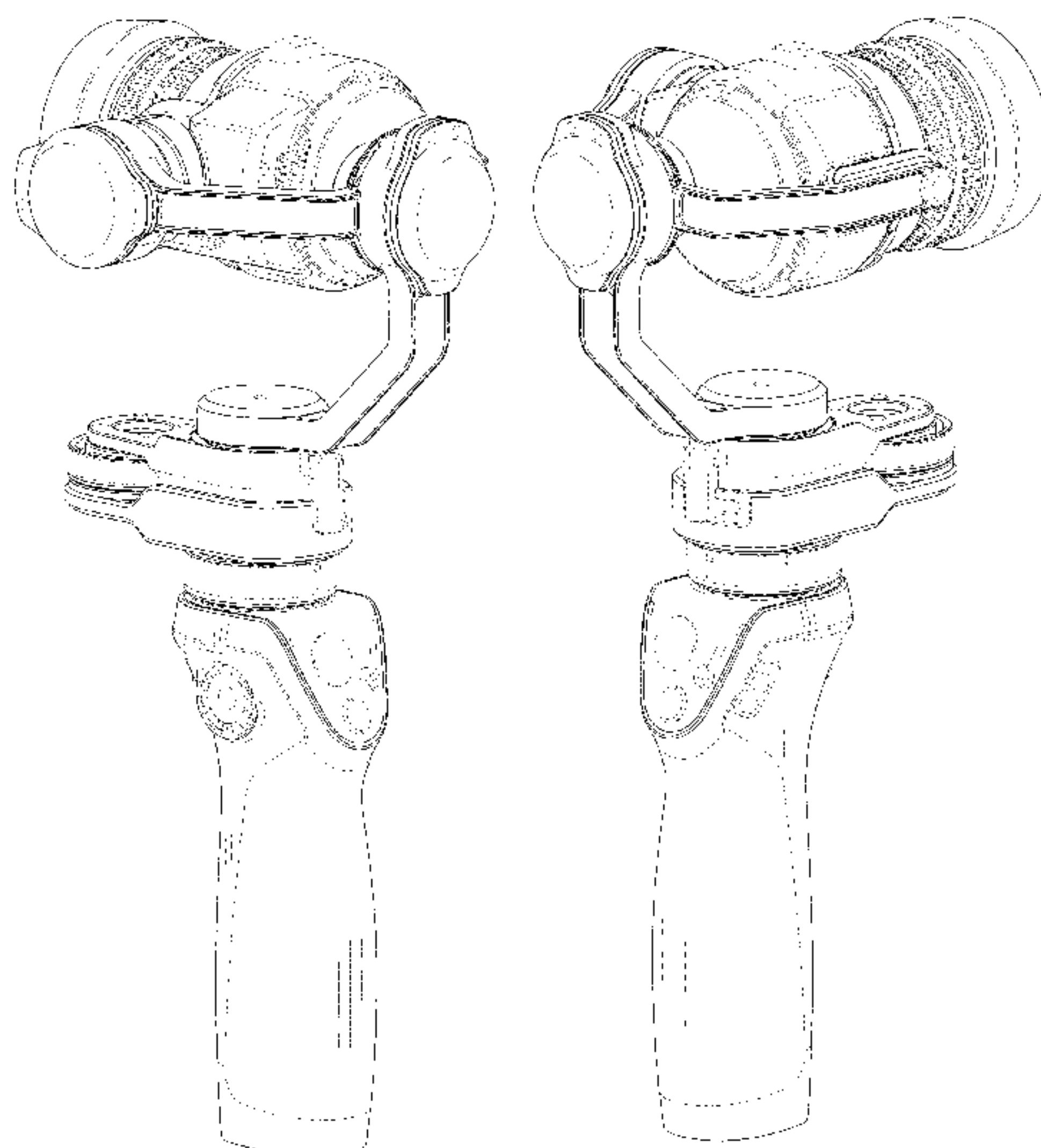
The ornamental design for a camera with handle, as shown
and described.

DESCRIPTION

FIG. 1 is a top, rear, left side perspective view of a camera
with handle showing the claimed design;
FIG. 2 is a top, rear, right side perspective view thereof;
FIG. 3 is a rear view thereof;
FIG. 4 is a front view thereof;
FIG. 5 is a left side view thereof;
FIG. 6 is a right side view thereof;
FIG. 7 is a top view thereof; and,
FIG. 8 is a bottom view thereof.

The dashed broken lines in the figures show portions of the
camera with handle that form no part of the claimed design.
The dot-dash broken lines in the figures show boundaries of
the camera with handle that form no part of the claimed
design.

1 Claim, 8 Drawing Sheets



(56)

References Cited

U.S. PATENT DOCUMENTS

9,264,599 B2 * 2/2016 Reid F16M 11/00
D754,242 S * 4/2016 Wang D16/242
D771,733 S * 11/2016 Wang D16/242
D780,245 S * 2/2017 Ruback D16/206

FOREIGN PATENT DOCUMENTS

CN 303059899 12/2014
CN 303127592 3/2015
CN 303288709 7/2015
CN 303320444 8/2015
CN 303320450 8/2015
CN 303330212 8/2015
CN 303348678 8/2015
CN 303348679 8/2015
JP D1430287 12/2011
JP D1507590 9/2014

* cited by examiner

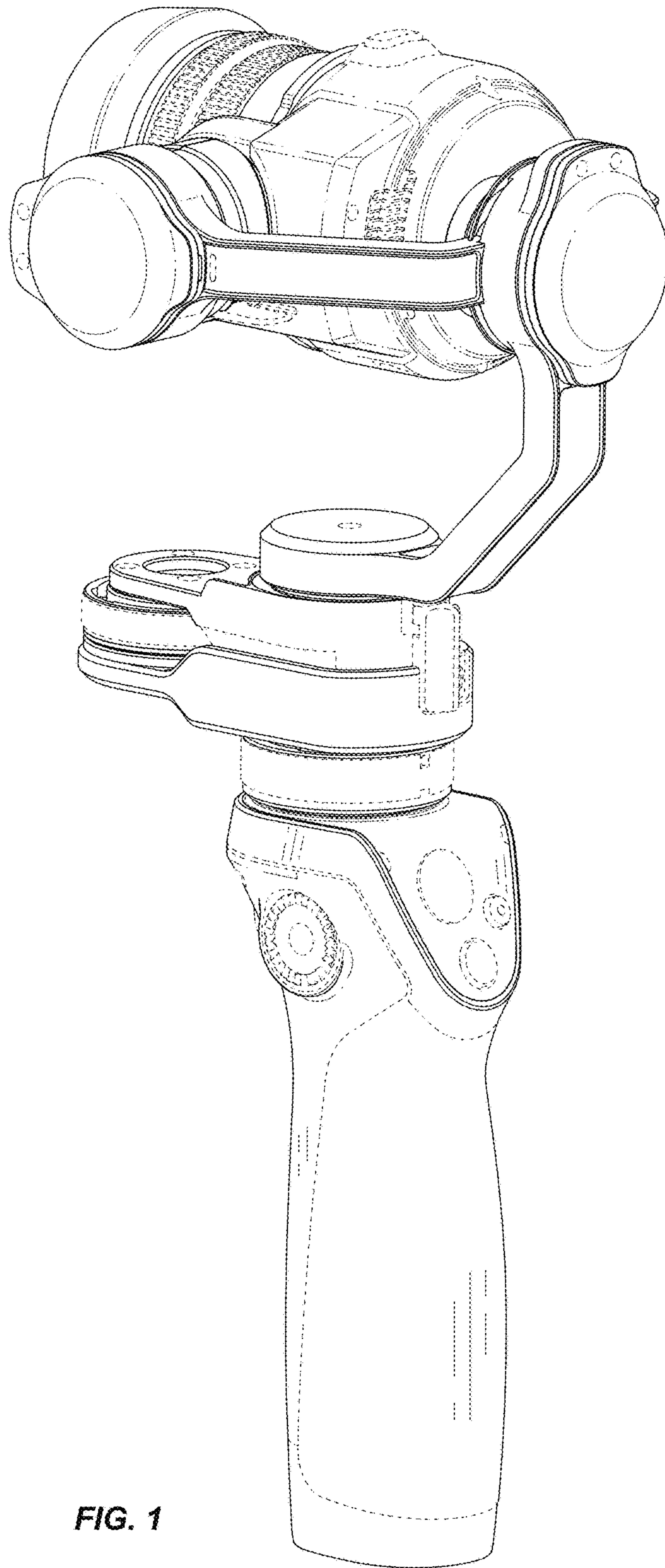


FIG. 1

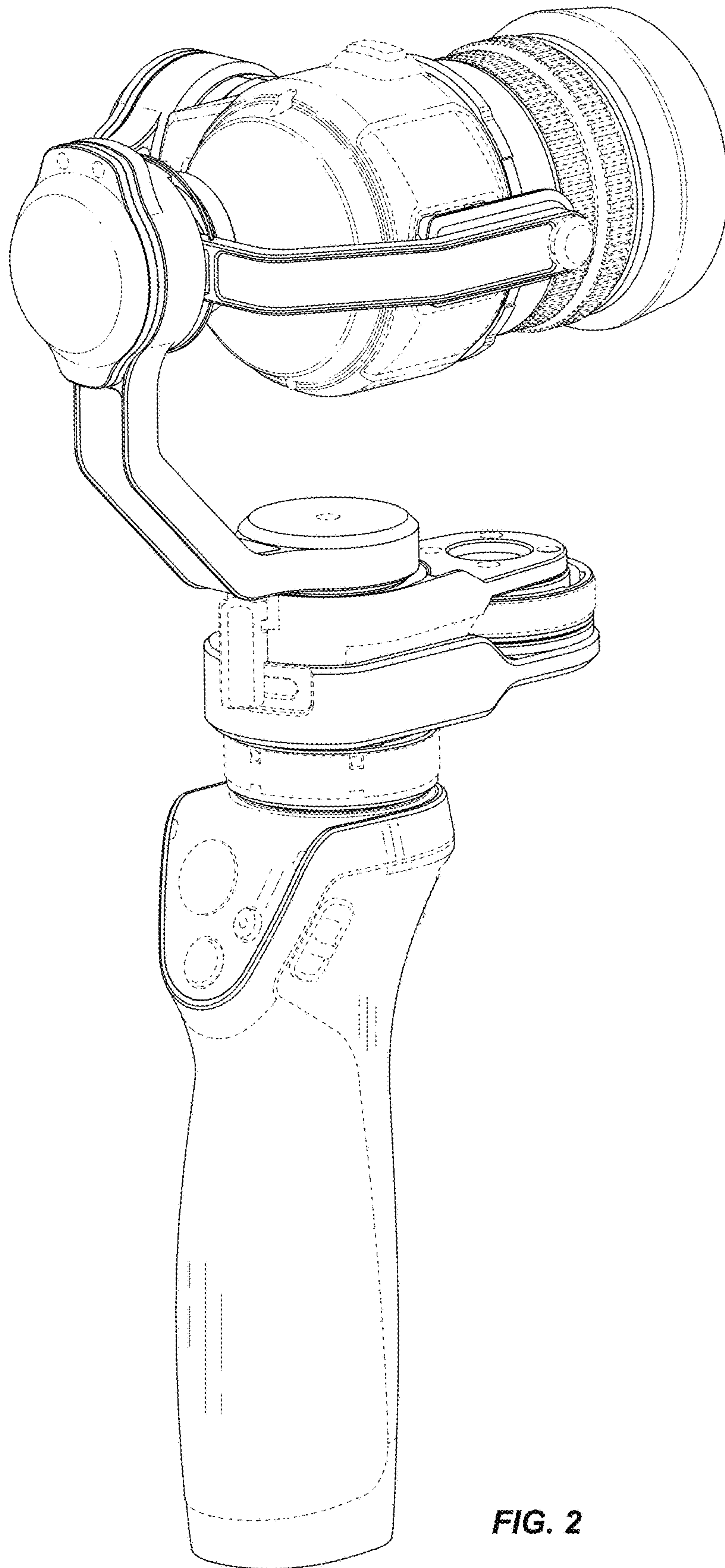


FIG. 2

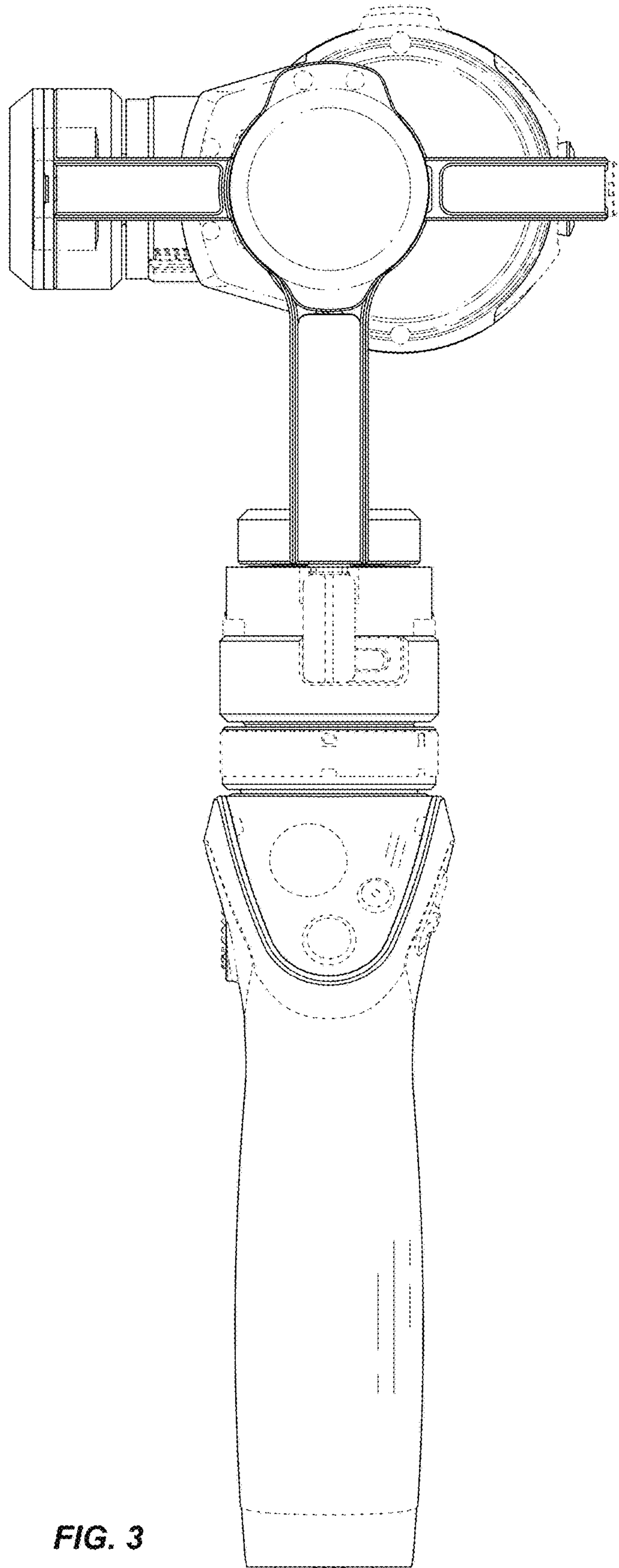


FIG. 3

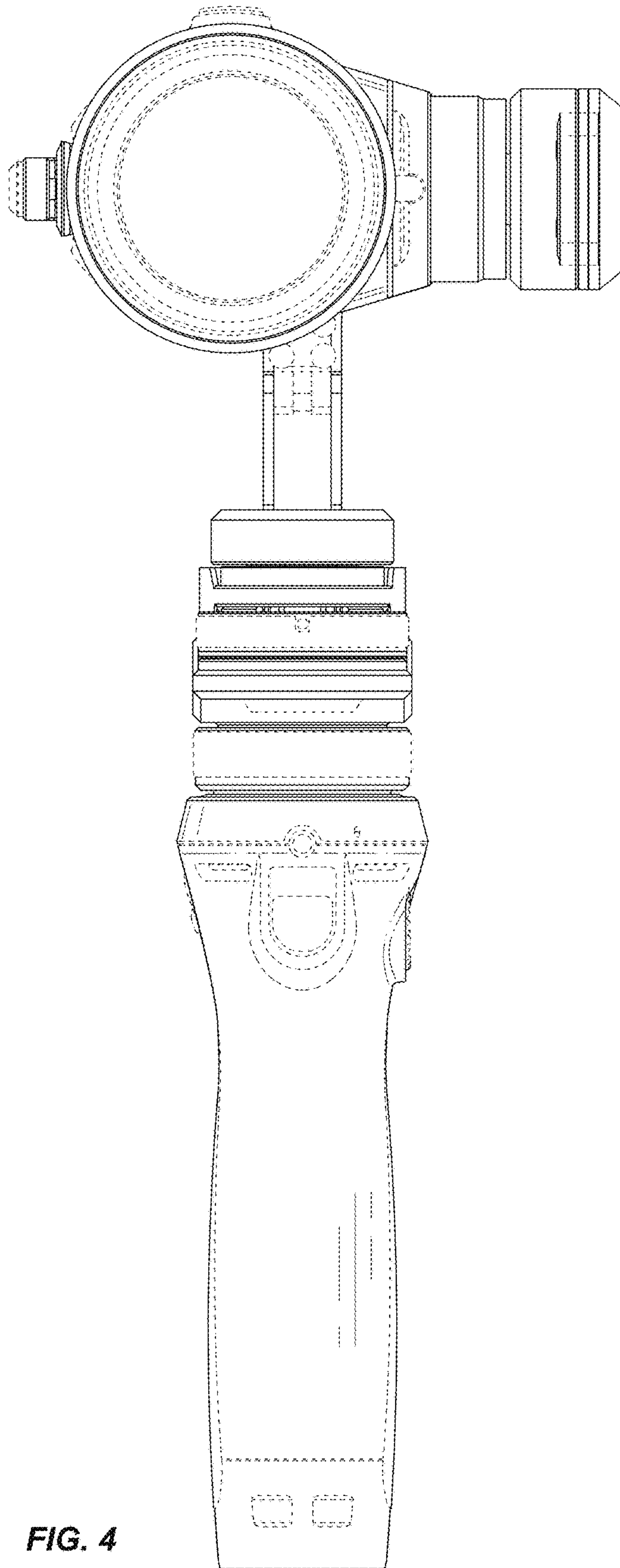


FIG. 4

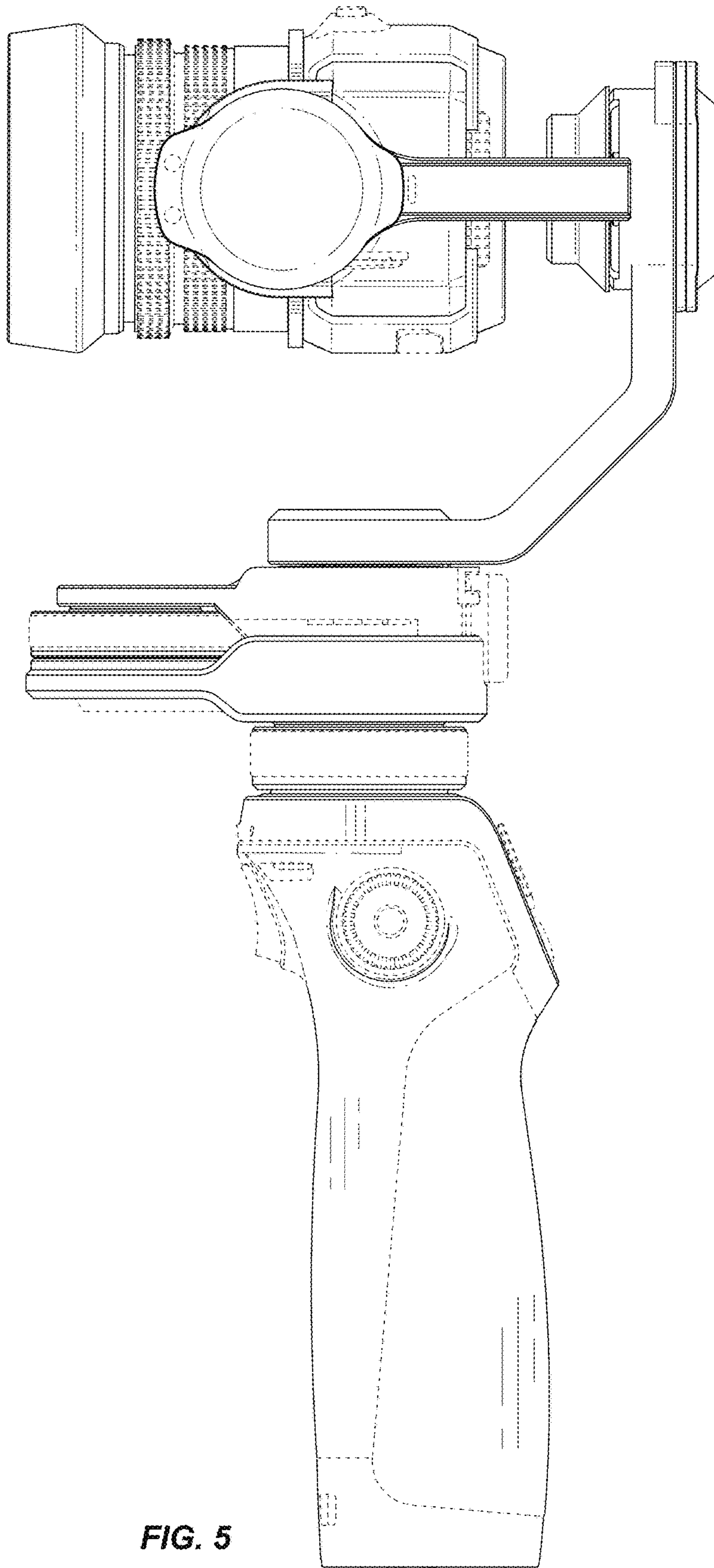


FIG. 5

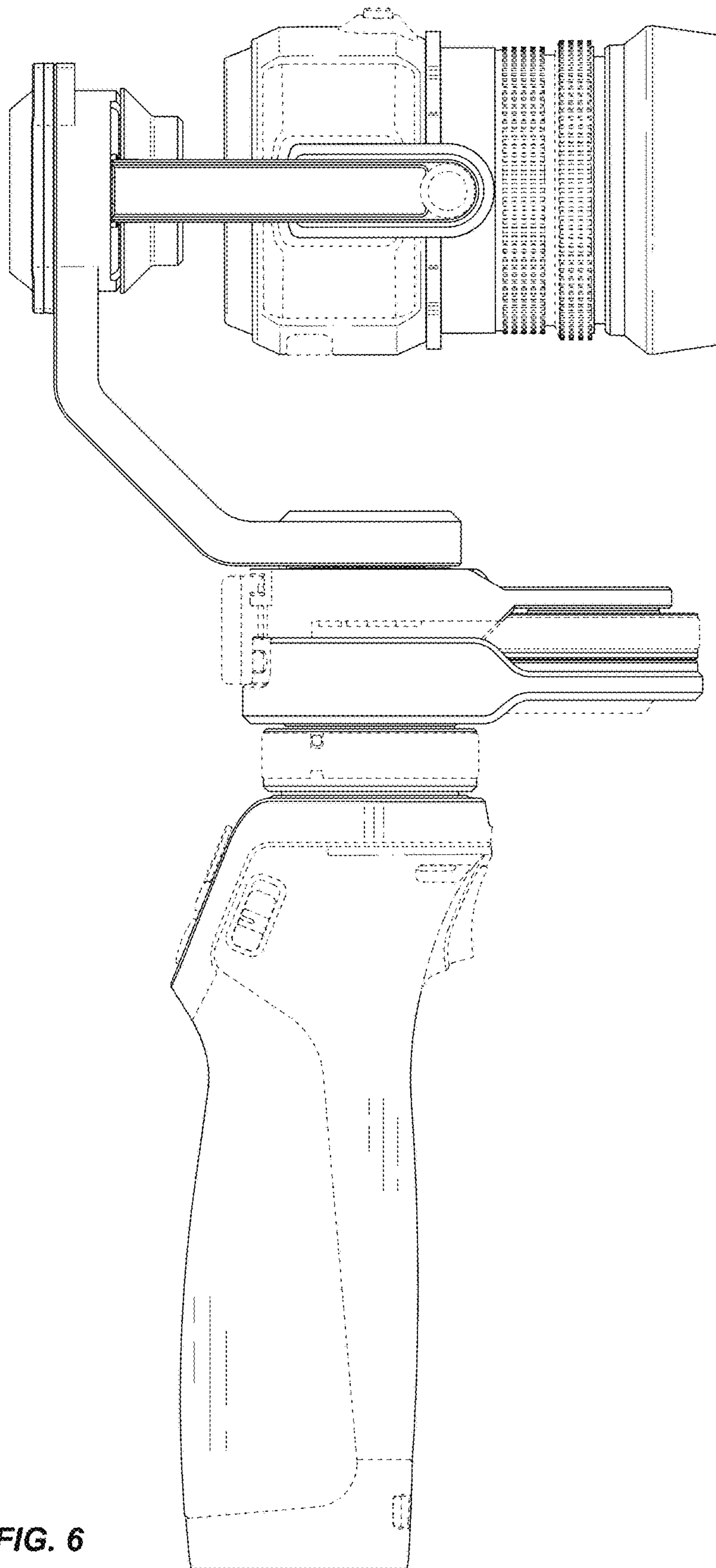


FIG. 6

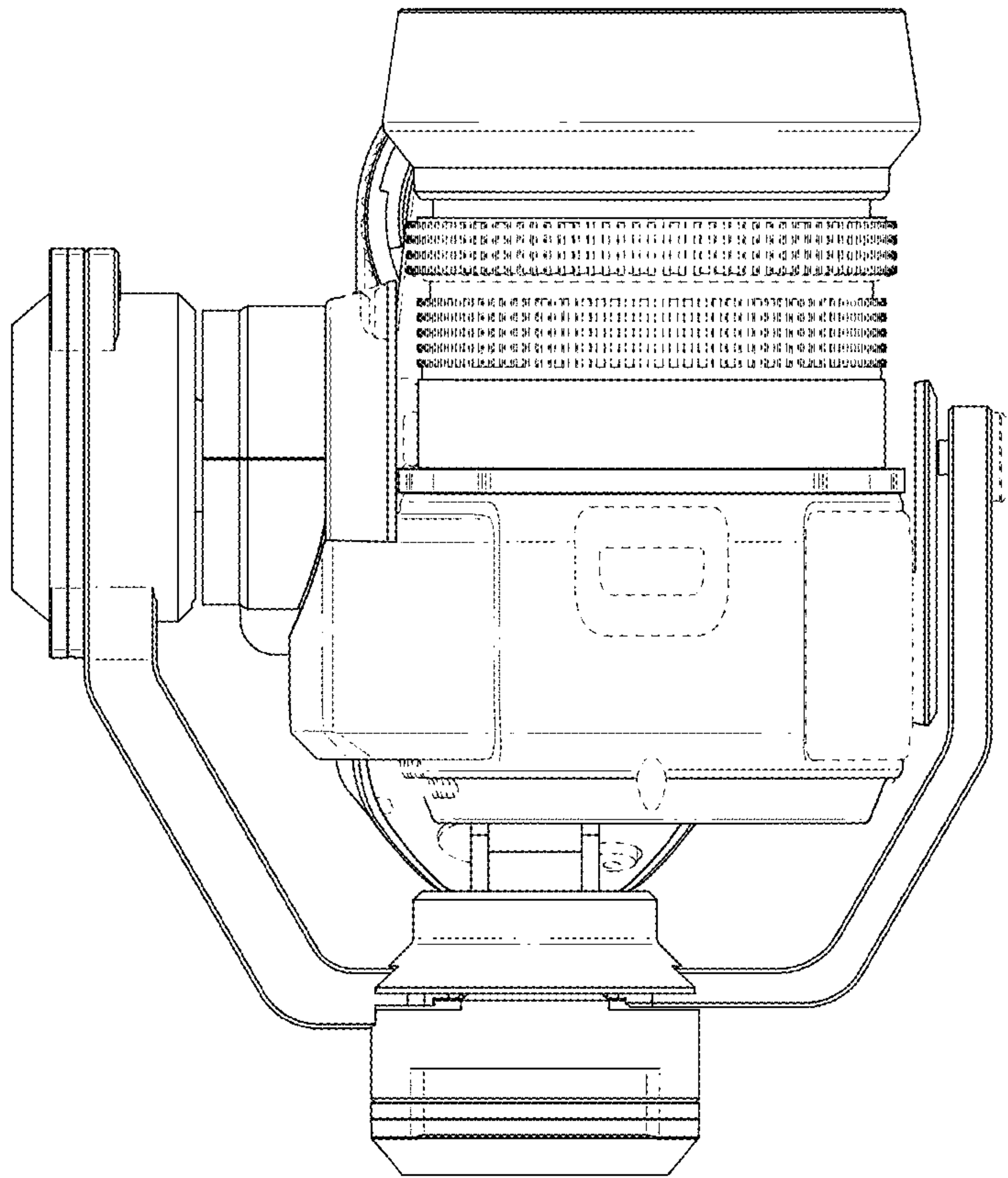


FIG. 7

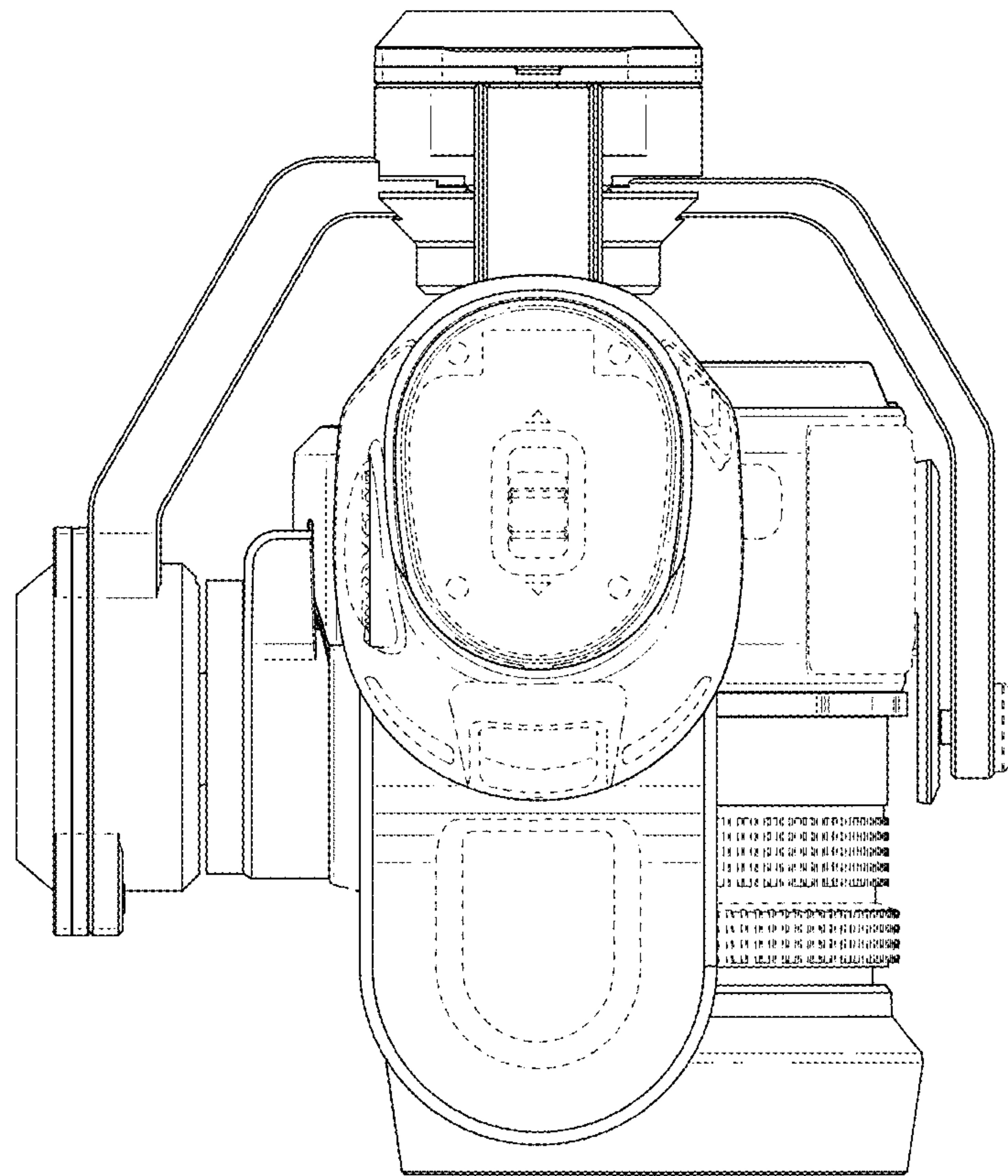


FIG. 8